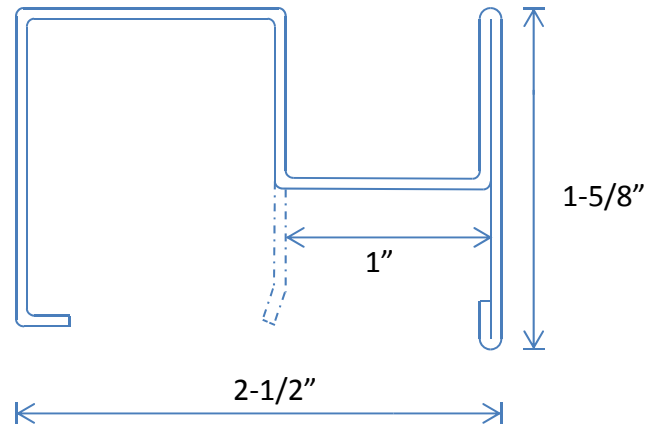


Member Designator 250CT-33

Coating G40EQ

Physical Properties

Design Thickness 0.0329 in
 Mil 33 mil
 Gauge 20 Gauge
 Middle Opening 1.0 in
 Part Length 1.625 in
 Web Width 2.50 in
 Yield Strength 33 ksi
 Weight Per Foot 0.791 lb/ft

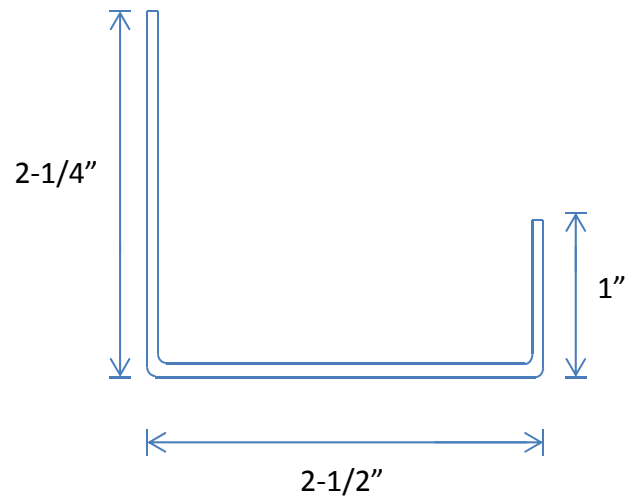


Member Designator 250TT-33

Coating G40EQ

Physical Properties

Design Thickness 0.0329 in
 Mil 33 mil
 Gauge 20 Gauge
 Length #1 1.0 in
 Length #2 2.25 in
 Web Width 2.50 in
 Tab Spacing 24.00 in
 Yield Strength 33 ksi
 Weight Per Foot 0.626 lb/ft



General Notes

1. Physical properties have been calculated in conformance with the 2001 NASPEC for the Design of Cold-Formed Steel Structural Members, including the 2004 Supplement, and the IBC 2006, unless noted otherwise.
2. Drywall framing members have a protective coating conforming to ASTM spec A 653/A 653M, G-40 min, or equivalent corrosion resistance.
3. Reference ASTM specification A 1003/A 1003 M table 1 for the universe of allowable coatings for light gauge steel framing.
4. All delivered material must be kept dry, preferably by being stored inside a building under a roof. If it is necessary to store material outside, it must be stacked off the ground, properly supported on a level platform, and fully protected from the weather. Reference ASTM C 754 section 8 and ASTM C 1007 section 4.
5. Drywall framing [nonstructural 25 gauge, 22 gauge and 20 gauge] is not permitted in load bearing (i.e. axial load greater than 200 lbs.) or exterior applications (i.e. transverse load greater than 10 PSF). Reference ASTM C 645 section 3.2.2.

LEED Green Building Credits

MR Credit 2: Construction Waste Management – MBA steel framing is 100% recyclable.
 MR Credit 4: Recycled Content – MBA steel framing is formed from no less than 25.5% post-consumer and 6.8% pre-consumer recycled content.
 MR Credit 5: Regional Materials – MBA has manufacturing facilities in multiple states.