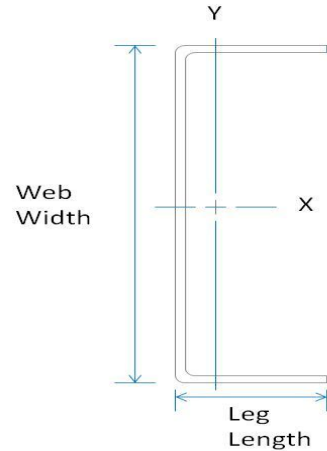


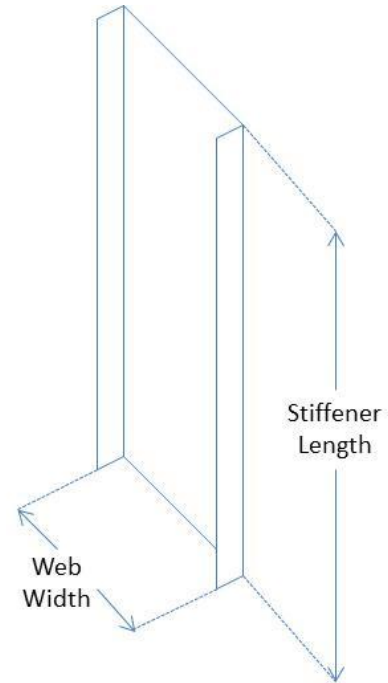
**Member Designator**    **400WS338-68**  
 Coating                      CP60

## Physical Properties

Design Thickness            0.0713 in  
 Mil                              68 mil  
 Gauge                         14 Gauge  
 Web Width                    4.00 in  
 Leg Length                    1.25 in  
 Yield Strength                50 ksi  
 Weight Per Foot             0.941 lb/ft



Thickness (mils)	Gauge	Length
68	14	3-3/8", 5-3/4", 7-3/4" 9-3/4", 11-3/4", 13-3/4" or custom
or custom	or custom	



## General Notes

- Physical properties and load tables have been calculated in conformance with the 2001 NASPEC for the Design of Cold-Formed Steel Structural Members, including the 2004 Supplement, and the IBC 2006, unless noted otherwise.
- All structural framing members have a protective coating conforming to ASTM C 955.
- Reference ASTM specification A 1003/A 1003 M table 1 for the universe of allowable coatings for light gauge steel framing.
- Stud/joists are manufactured to custom lengths. Stud/joists are manufactured with punched webs unless otherwise specified at time of order.
- Track is produced in standard lengths of 10 feet unless a custom track length is indicated. Track is manufactured with unpunched webs.
- Structural framing members are marked with product information per the requirements of ASTM C 955 section 12.
- All delivered material must be kept dry, preferably by being stored inside a building under a roof. If it is necessary to store material outside, it must be stacked off the ground, properly supported on a level platform, and fully protected from the weather. Reference ASTM C 754 section 8 and ASTM C 1007 section 4.

## LEED Green Building Credits

- MR Credit 2: Construction Waste Management – MBA steel framing is 100% recyclable.  
 MR Credit 4: Recycled Content – MBA steel framing is formed from no less than 25.5% post-consumer and 6.8% pre-consumer recycled content.  
 MR Credit 5: Regional Materials – MBA has manufacturing facilities at multiple locations.