



# Classic Rib® Install Guide

---

The application and detail drawings in this manual are strictly for illustration purposes and may not be applicable to all building designs or product installations. All projects should conform to applicable building codes for that particular area. It is recommended to follow all building regulations and standard industry practices.

Metal Sales Manufacturing Corporation is not responsible for the performance of the roof system if it is not installed in accordance with the suggested instructions referenced in this installation manual or in the product overview. (See Product Manual or Product Technical Literature). If there is a conflict between this manual and the actual erection drawings, the erection drawings are to take precedence.

Prior to ordering and installing materials, all dimensions should be verified by field measurements.

Metal Sales reserves the right to modify, without notice, any details, recommendations or suggestions. Any questions you may have regarding proper installation of the roofing system should be directed to your Metal Sales representative, see pages 2 and 3.

Consult Metal Sales for any additional information not outlined in this manual.

This manual is designed to be utilized as a guide when installing Post Frame and Residential roofing systems. It is the responsibility of the erector to ensure the safe installation of this product system.

## SAFETY

STUDY APPLICABLE OSHA AND OTHER SAFETY REQUIREMENTS BEFORE FOLLOWING THESE INSTRUCTIONS.

The installation of metal roof systems is a dangerous procedure and should be supervised by trained knowledgeable erectors. **USE EXTREME CARE WHILE INSTALLING ROOF PANELS.** It is not possible for Metal Sales to be aware of all the possible job site situations that could cause an unsafe condition to exist. The erector of the roof system is responsible for reading these instructions and determining the safest way to install the roof system.

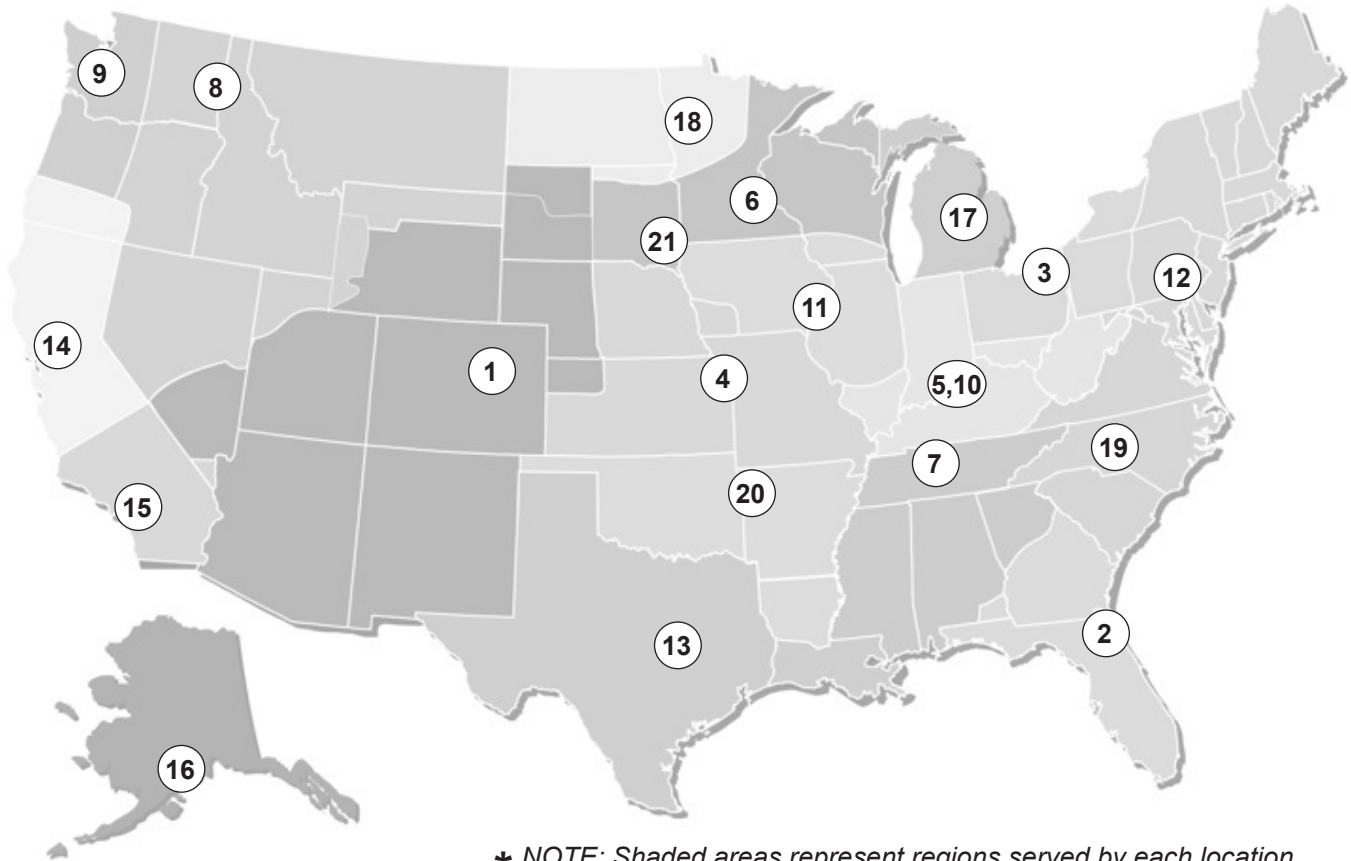
These instructions are provided only as a guide to show a knowledgeable, trained erector the correct part placement one to another. If following any of the installation steps would endanger a worker, the erector should stop work and decide upon a corrective action.

Provide required safety railing, netting, or safety lines for crew members working on the roof.

Do not use the roof panel as a walking platform. The roof panels will not withstand the weight of a person standing at the edge of the panel.

Do not stand on the roof panel until the panels have been attached.

# ms Metal Sales™



\* NOTE: Shaded areas represent regions served by each location.

For more than 55 years, Metal Sales Manufacturing Corporation has earned a reputation as the premier provider of innovative metal building components and accessories.

We've backed this reputation with the industry's largest professional sales and services team. We offer a full line of exceptional quality metal roof and wall panels for agricultural, commercial, architectural, industrial and residential projects of every shape and size, new construction or retro-fit.

**1. DENVER BRANCH**

7990 East I-25 Frontage Road  
Longmont, CO 80504  
303.702.5440  
800.289.7663  
800.289.1617 Fax

**2. JACKSONVILLE BRANCH**

7110 Stuart Avenue  
Jacksonville, FL 32254  
904.783.3660  
800.394.4419  
904.783.9175 Fax  
800.413.3292 Fax

**3. JEFFERSON BRANCH**

352 East Erie Street  
Jefferson, OH 44047  
440.576.9070  
800.321.5833  
440.576.9242 Fax  
800.233.5719 Fax

**4. INDEPENDENCE BRANCH**

1306 South Powell Road  
Independence, MO 64057  
816.796.0900  
800.747.0012  
816.796.0906 Fax

**5. SELLERSBURG BRANCH**

7800 Highway 60  
Sellersburg, IN 47172  
812.246.1866  
800.999.7777  
812.246.0893 Fax  
800.477.9318 Fax

**6. ROGERS BRANCH**

22651 Industrial Boulevard  
Rogers, MN 55374  
763.428.8080  
800.328.9316  
763.428.8525 Fax  
800.938.9119 Fax

**7. NASHVILLE BRANCH**

4314 Hurricane Creek Boulevard  
Antioch, TN 37013  
615.641.7100  
800.251.8508  
615.641.7118 Fax  
800.419.4372 Fax

**8. SPOKANE BRANCH**

2727 East Trent Avenue  
Spokane, WA 99202  
509.536.6000  
800.572.6565  
509.534.4427 Fax

**9. SEATTLE BRANCH**

20213 84th Avenue, South  
Kent, WA 98032  
253.872.5750  
800.431.3470 (Outside WA)  
800.742.7900 (Inside WA)  
253.872.2008 Fax

**10. NEW ALBANY BRANCH**

999 Park Place  
New Albany, IN 47150  
812.944.2733  
812.944.1418 Fax

**11. ROCK ISLAND BRANCH**

8111 West 29th Street  
Rock Island, IL 61201  
309.787.1200  
800.747.1206  
309.787.1833 Fax

**12. DEER LAKE BRANCH**

29 Pinedale Industrial Road  
Orwigsburg, PA 17961  
570.366.2020  
800.544.2577  
570.366.1648 Fax  
800.544.2574 Fax

**13. TEMPLE BRANCH**

3838 North General Bruce Drive  
Temple, TX 76501  
254.791.6650  
800.543.4415  
254.791.6655 Fax  
800.543.4473 Fax

**14. WOODLAND BRANCH**

1326 Paddock Place  
Woodland, CA 95776  
530.668.5690  
800.759.6019  
530.668.0901 Fax

**15. FONTANA BRANCH**

14213 Whittram Avenue  
Fontana, CA 92335  
909.829.8618  
800.782.7953  
909.829.9083 Fax

**16. ANCHORAGE BRANCH**

4637 Old Seward Highway  
Anchorage, AK 99503  
907.646.7663  
866.640.7663  
907.646.7664 Fax

**17. BAY CITY BRANCH**

5209 Mackinaw Road  
Bay City, MI 48706  
989.686.5879  
888.777.7640  
989.686.5870 Fax  
888.777.0112 Fax

**18. DETROIT LAKES BRANCH**

1435 Egret Avenue  
Detroit Lakes, MN 56501  
218.847.2988  
888.594.1394  
218.847.4835 Fax  
888.594.1454 Fax

**19. MOCKSVILLE BRANCH**

188 Quality Drive  
Mocksville, NC 27028  
336.751.6381  
800.228.6119  
336.751.6301 Fax  
800.228.7916 Fax

**20. FORT SMITH BRANCH**

7510 Ball Road  
Fort Smith, AR 72908  
479.646.1176  
877.452.3915  
479.646.5204 Fax

**21. SIOUX FALLS BRANCH**

2700 West 3rd Street, Suite 4  
Sioux Falls, SD 57104  
605.335.2745  
888.299.0024

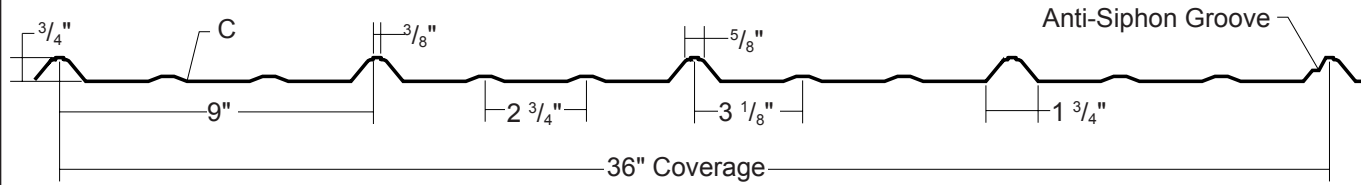
**TECHNICAL SUPPORT**

**TECHNICAL SERVICES**

7800 Highway 60  
Sellersburg, IN 47172  
502.855.4300  
800.406.7387  
502.855.4290 Fax  
800.944.6884 Fax

<b>General Information</b>	<b>PAGE NO.</b>
Important Information .....	1
Branch Territory Map .....	2
Branch Locations .....	3
Table of Contents .....	4, 5
<b>Panel System Information</b>	
Panel Overview .....	6
Testing and Approvals .....	6
Fastening Patterns .....	6
Panel Lap Detail .....	7
Section Properties .....	7
Fastener Installation .....	8
Post Frame Flashing Profiles .....	9 - 11
Residential Flashing Profiles .....	12
Accessories .....	13
<b>Material Handling</b>	
Receiving Material .....	14
General Handling .....	14
Mechanical Handling .....	14
Manual Handling .....	15
<b>Job Site Conditions</b>	
Storage .....	16
Foot Traffic .....	16
Tools .....	16
<b>Design / Installation Considerations</b>	
General .....	17
Condition of Substructure .....	17
Field Cutting .....	18
Touch-Up Paint .....	18
Ventilation .....	18
Fastener Selection Guide .....	19
Panel Length .....	19
Expansion and Contraction .....	19
<b>Post Frame Installation</b>	
Post Frame Overview .....	20
Installing Inside Closures (Step 1) .....	21
Installing First Panel (Step 2) .....	21
Installing Endlap Panel (Step 3) .....	22
Installing Sidelap Panel (Step 4) .....	22
14" Universal Ridge Detail .....	23
Low Profile Ridge Vent Detail .....	23
Outside Corner Detail .....	23
Inside Corner Detail .....	23
Gable Trim Detail .....	24
Rake Trim Detail .....	24
Universal Sidewall Detail .....	24
Universal Endwall Detail .....	24

	PAGE NO.
<b>Post Frame Installation - continued</b>	
Eave Molding Detail .....	25
Universal Gambrel Detail .....	25
Angle Base Detail .....	25
Double Angle Detail .....	25
Drip Cap Detail .....	26
Base Molding Detail .....	26
Cannonball Track Cover Detail .....	26
National Track Cover Detail .....	26
Door Jamb Detail .....	27
Mini-Angle / U-Flashing Detail .....	27
Post Trim Detail .....	27
Door Post Trim Detail .....	27
Overhead Door Trim Detail .....	28
Soffit Detail .....	28
12" Soffit Detail .....	28
24" Soffit Detail .....	28
<b>Residential Installation</b>	
Residential Overview .....	29
Installing Inside Closures (Step 1) .....	30
Installing First Panel (Step 2) .....	30
Installing Second Panel (Step 3) .....	31
Installing Second Eave Panel (Step 4) .....	31
14" Universal Ridge Detail .....	32
Ridge / Hip Cover Detail .....	32
Vented Ridge Detail .....	32
Gable Trim Detail .....	32
Eave Detail .....	33
Gutter Detail .....	33
Valley Detail .....	33
Pitch Break Detail .....	33
Chimney / Cricket Detail .....	34
Roof Penetration Detail .....	34
<b>Care and Maintenance .....</b>	<b>35</b>
<b>Notes .....</b>	<b>36, 37</b>



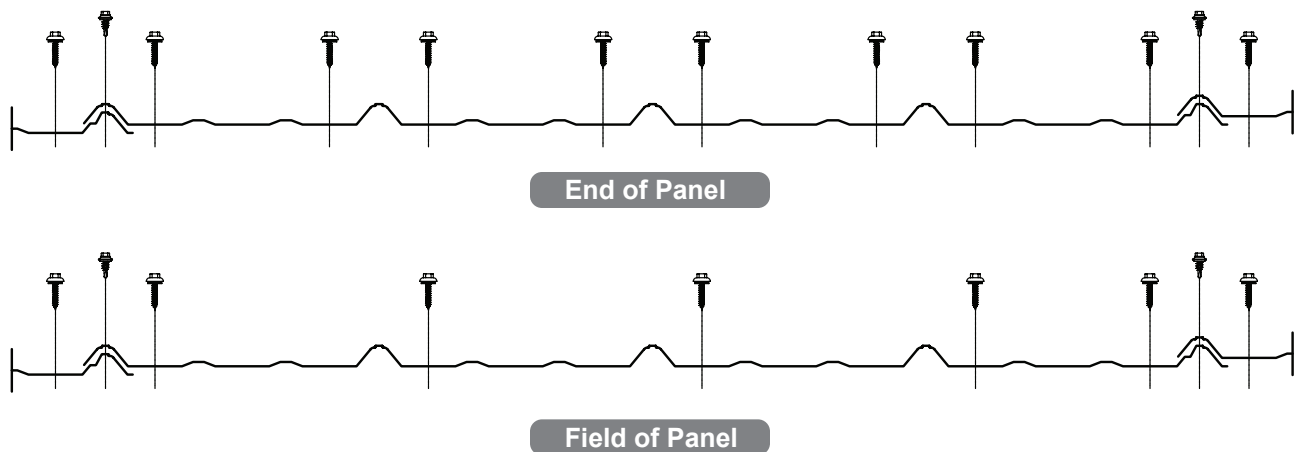
**PANEL OVERVIEW**

- ▶ **Finishes:** MS Colorfast45®, ColorFit40™, Versa20 and Acrylic Coated Galvalume®
- ▶ **Corrosion Protection:** AZ55 per ASTM A 792 for unpainted Galvalume®  
 AZ50 per ASTM A 792 for painted Galvalume®  
 AZ35 per ASTM A 792 for painted Galvalume® (ColorFit40 only)  
 G60, G90 or G100 per ASTM A 653 for Galvanized
- ▶ **Gauges:** 29 ga and 26 ga standard; 24 ga optional
- ▶ **Panel Length:** Minimum: 5'-0"; Maximum: 45'-0" recommended
- ▶ **Profile:** 36" panel coverage, 3/4" rib height
- ▶ **Profile:** Exposed fastened panel, low profile, bell-top trapezoidal rib on 9" centers
- ▶ **Minimum roof slope:** 3:12

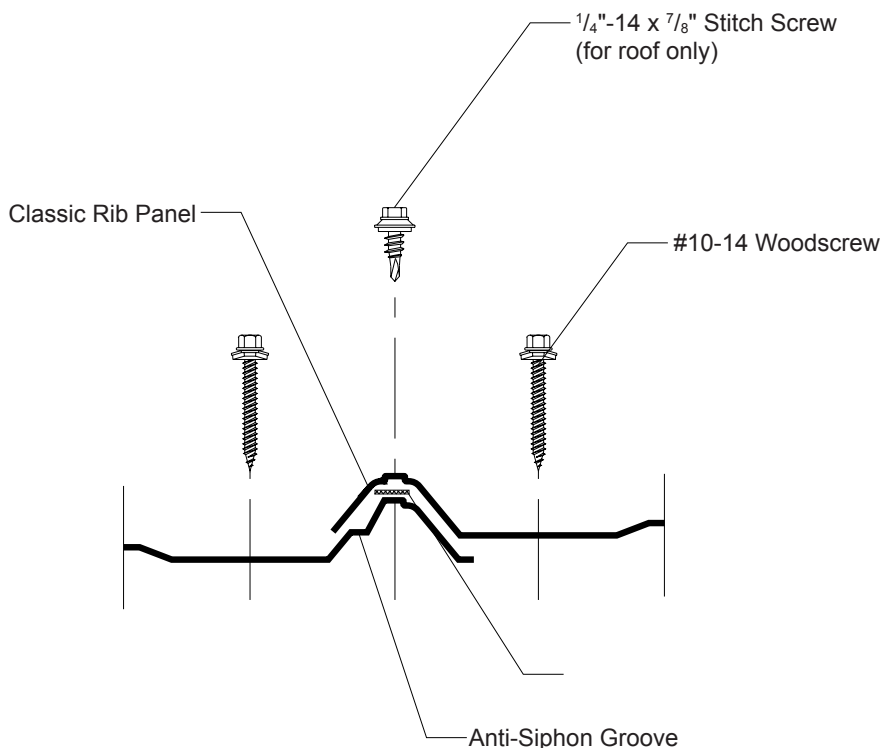
**TESTING AND APPROVALS**

- ▶ UL 2218 Impact Resistance - Class 4
- ▶ UL 790 Fire Resistance Rating - Class A, per building code
- ▶ UL 263 Fire Resistance Rating - per assembly
- ▶ UL 580 Uplift Resistance - Class 90 Constructions: #560, 584
- ▶ ASTM E 455, Diaphragm Capacity
- ▶ Texas Wind Storm - Evaluation RC-161
- ▶ 2020 FBC Approvals - FL9482.2, FL9482.3, FL10999.3, FL10999.4, FL14645.7, FL14645.8, FL14645.9 and FL14645.10
- ▶ Miami-Dade County, Florida NOA 21-0629.10, expires 8/24/2026
- ▶ ICC Evaluation Report, ESR-2385

**FASTENING PATTERNS**



**PANEL LAP DETAIL**



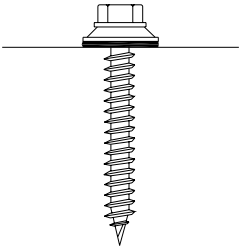
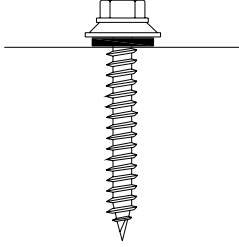
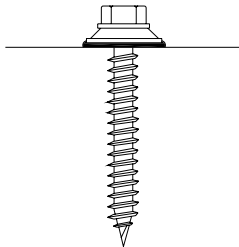
**SECTION PROPERTIES**

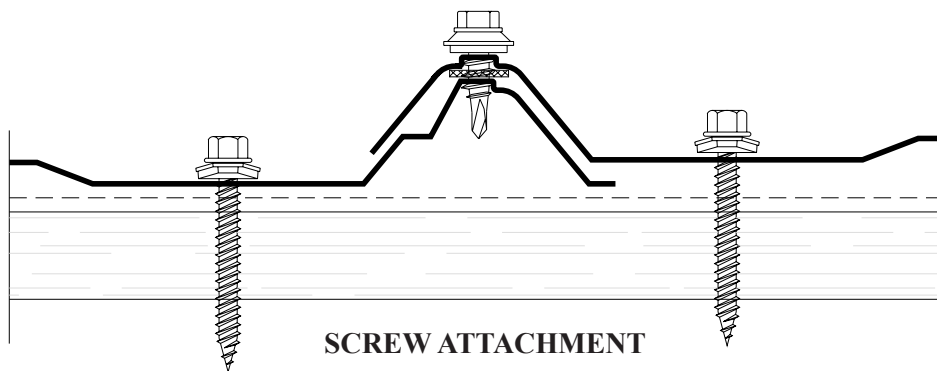
SECTION PROPERTIES								ALLOWABLE UNIFORM LOADS, psf For various fastener spacings											
Ga	Width in	Yield ksi	Weight psf	Top in Compression		Bottom in Compression		Inward Load						Outward Load					
				Ixx in <sup>4</sup> /ft	Sxx in <sup>3</sup> /ft	Ixx in <sup>4</sup> /ft	Sxx in <sup>3</sup> /ft	1.5'	2'	2.5'	3'	3.5'	4'	1.5'	2'	2.5'	3'	3.5'	4'
29	36	80	0.63	0.0097	0.0162	0.0060	0.0140	171	97	62	43	32	24	197	112	72	50	37	25
26	36	80	0.80	0.0123	0.0207	0.0080	0.0181	221	125	81	56	41	32	251	143	92	64	47	32
24	36	50	1.05	0.0163	0.0268	0.0117	0.0241	245	139	90	62	46	35	271	154	99	69	51	39

1. Theoretical section properties have been calculated per AISI 2016 'North American Specification for the Design of Cold-Formed Steel Structural Members'. Ixx and Sxx are effective section properties for deflection and bending.
2. Allowable load is calculated in accordance with AISI 2016 specifications considering bending, shear, combined bending and shear and deflection. Allowable load considers the 3 or more equal spans condition. Allowable load does not address web crippling, fasteners, support material or load testing. Panel weight is not considered.
3. Deflection consideration is limited by a maximum deflection ratio of L/180 of span.
4. Allowable loads do not include a 1/3 stress increase for wind.
5. **Diaphragm Capacity** - 246 plf average Ultimate Shear Strength using the above fastening pattern on 2x supports located 2' on center, per ASTM E 455.

**USING SCREWS:**

For fastening with screws, it is best to use a painted or plated screw, Type A or driller tip with a flat rubber washer. The correct screw gun is also important to the proper installation of self-drilling or self-tapping screws. A tool with the appropriate speed and torque setting (as recommended by the fastener manufacturer) will help prevent fastener thread strip-out and possible damage to the panel or its coating. Typically 80 screws should be used per square for Classic Rib panels.

<p><b>CORRECT</b> Sealing material slightly visible at edge of washer. Assembly is water tight.</p>	<p><b>TOO LOOSE</b> Sealing material is not visible; not enough compression to seal.</p>	<p><b>TOO TIGHT</b> Washer is deformed; sealing material pressed beyond fastener edge.</p>
		

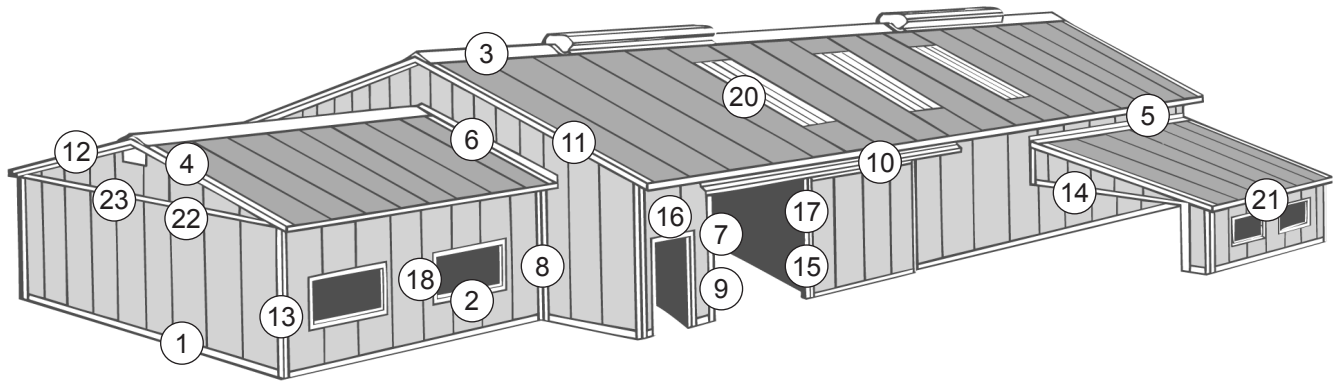


**SEATING THE WASHER** - Apply sufficient torque to seat the washer - do not overdrive the fastener.

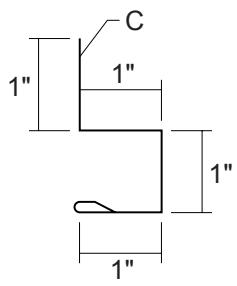
**TO PREVENT WOBBLING** - Make sure fastener head is completely engaged in the socket. If the head does not go all the way in the socket - tap the magnet deeper into the socket to allow full head engagement. Metal chips will build up from drilling and should be removed from time to time.

**PROTECT DRILL POINT** - Push only hard enough on the screw gun to engage clutch. This prevents excess friction and burn out of the drill point. Correct pressure will allow screw to drill and tap without binding.

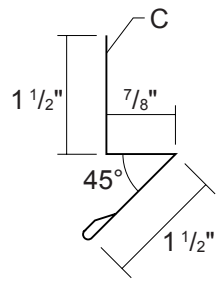




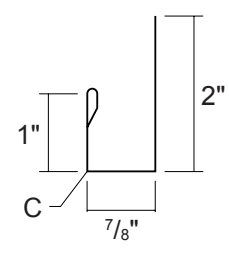
**1 - BASE MOLDING**



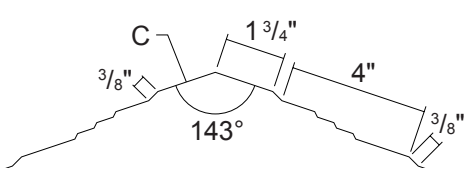
**1 - ANGLE BASE**



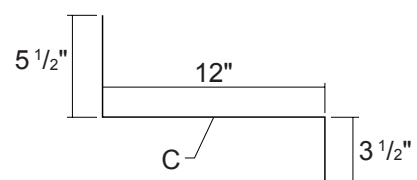
**2 - J-CHANNEL**



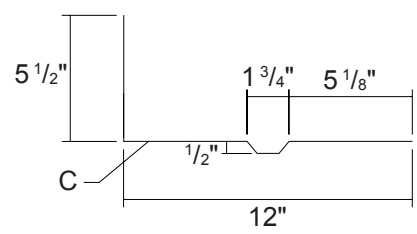
**3 - 14" UNIVERSAL RIDGE**



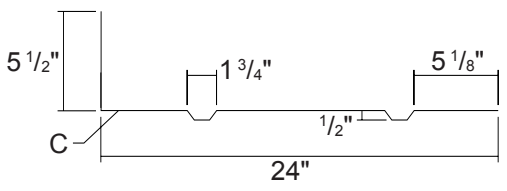
**4 - SOFFIT**



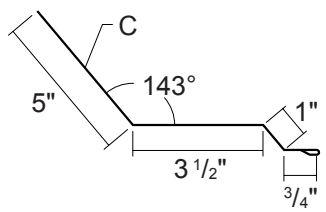
**4 - 12" SOFFIT**



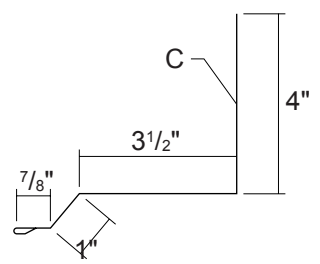
**4 - 24" SOFFIT**



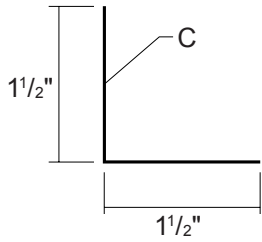
**5 - UNIVERSAL ENDWALL**



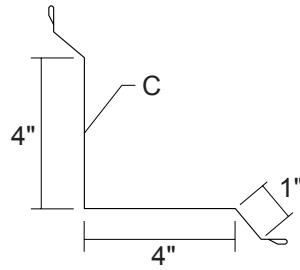
**6 - UNIVERSAL SIDEWALL**



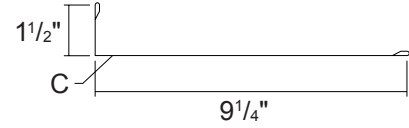
**7 - MINI ANGLE**



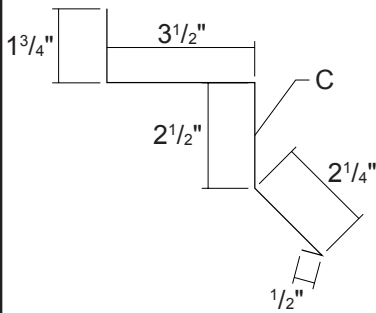
**8 - INSIDE CORNER**



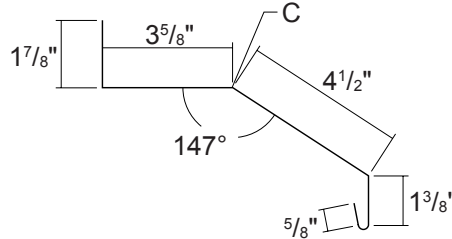
**9 - POST TRIM**



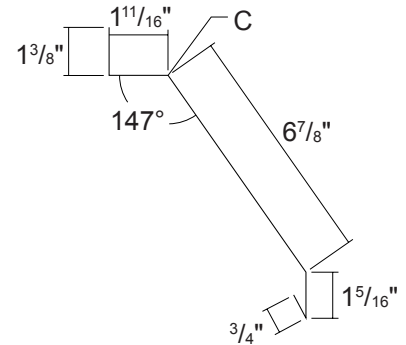
**10 - NATIONAL TRACK COVER**



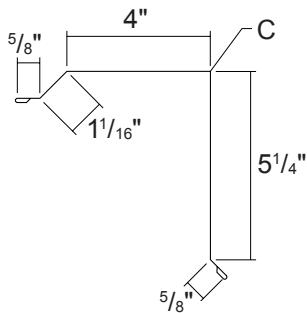
**10 - TOP MOUNT TRACK COVER**



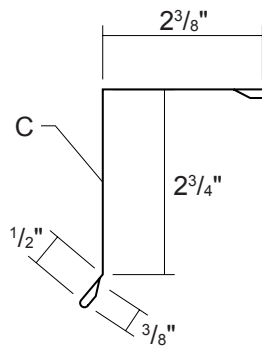
**10 - CANNONBALL TRACK COVER**



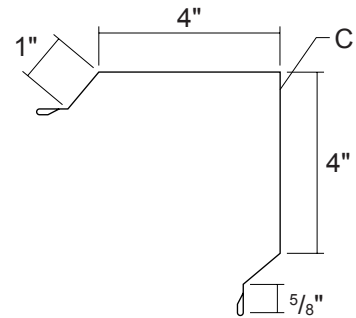
**11 - GABLE TRIM**



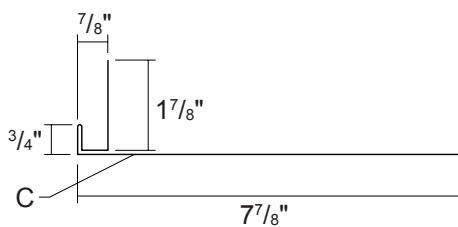
**12 - RAKE TRIM**



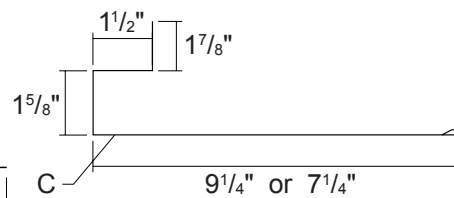
**13 - OUTSIDE CORNER**



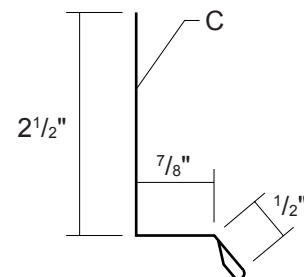
**14 - OVERHEAD DOOR TRIM**



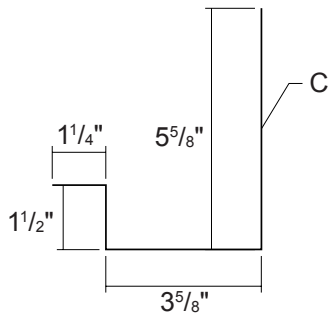
**15 - DOOR JAMB**



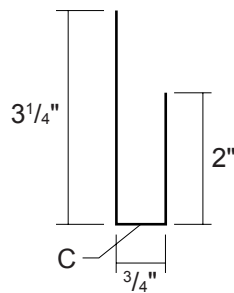
**16 - DRIP CAP**



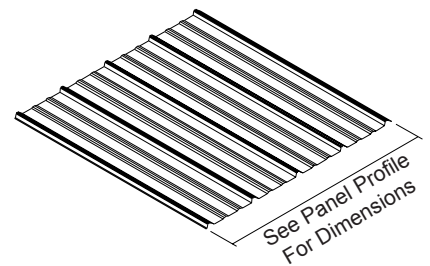
**17 - DOOR POST TRIM**



**18 - FRAMING CLOSURE**

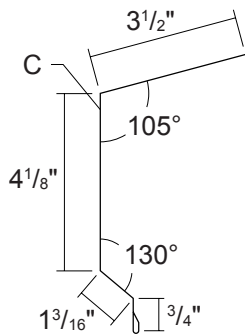


**20 - TRANSLUCENT PANEL**

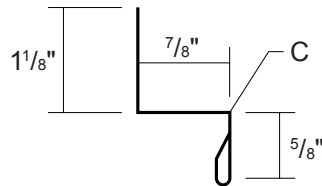


LENGTHS: 8'-0", 10'-0", 12'-0"

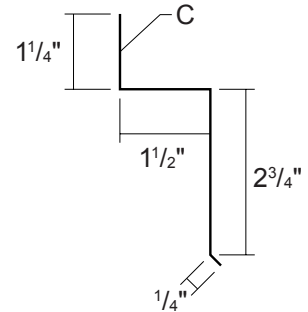
**21 - EAVE MOLDING**



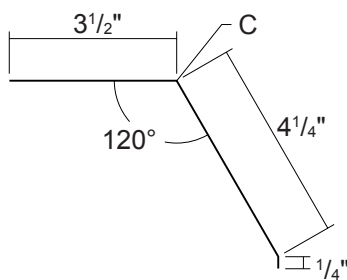
**22 - DOUBLE ANGLE**



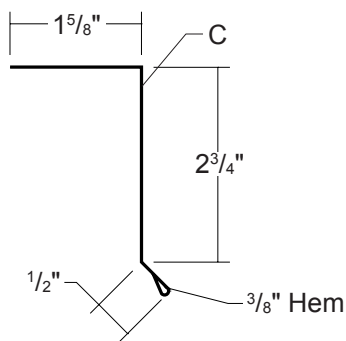
**23 - WIDE Z-METAL**



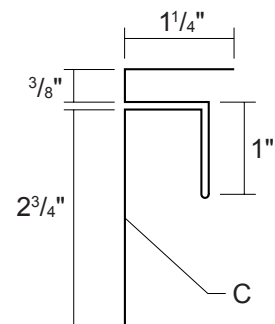
**24 - UNIVERSAL GAMBREL**



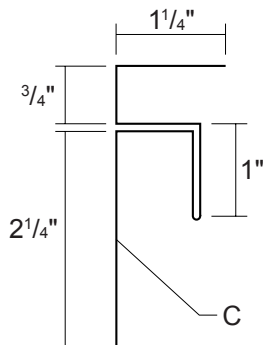
**25 - RAKE / EAVE TRIM**



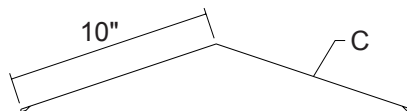
**26 - 3/8" F & J-CANNEL**

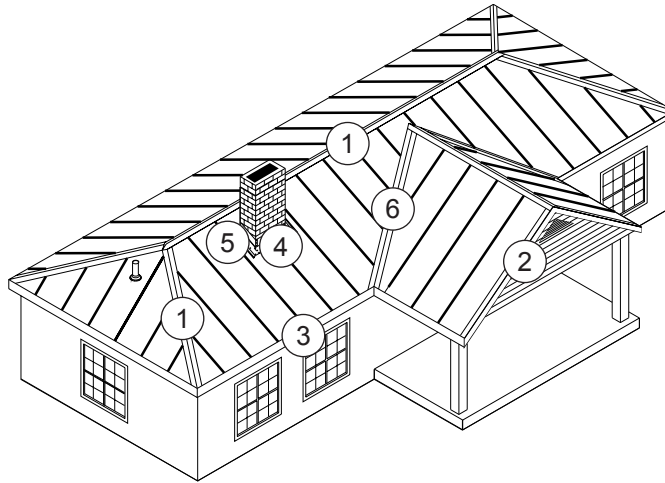


**26 - 3/4" F & J-CANNEL**

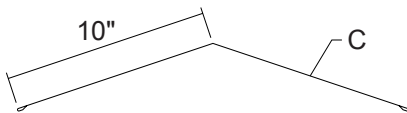


**27 - RIDGE / HIP COVER**

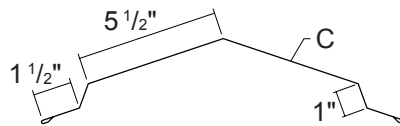




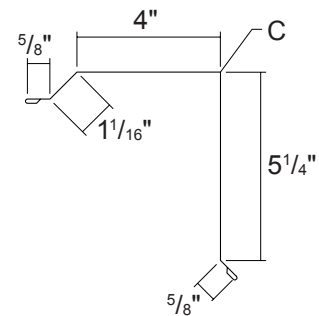
**1 - RIDGE / HIP COVER**



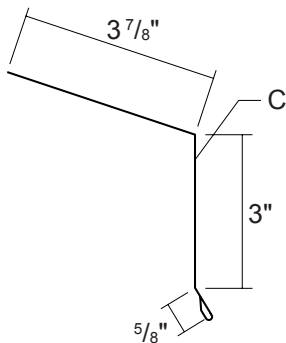
**1 - 13" STEP RIDGE / HIP COVER**



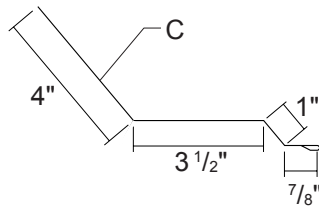
**2 - GABLE TRIM**



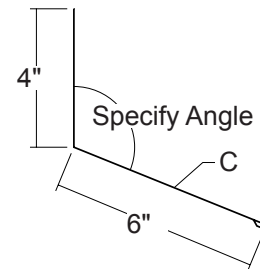
**3 - EAVE TRIM**



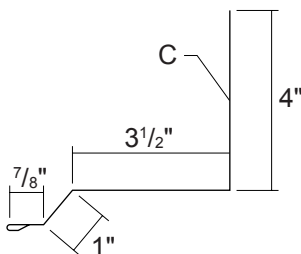
**4 - UNIVERSAL ENDWALL**



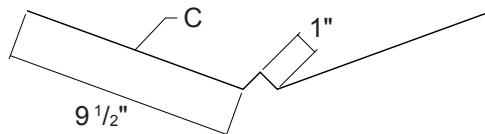
**4 - PITCH BREAK**



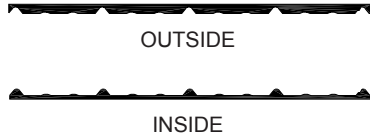
**5 - UNIVERSAL SIDEWALL**



**6 - VALLEY**

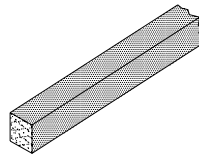


**CLASSIC RIB CLOSURES**



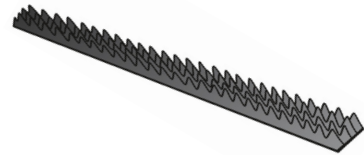
1" x 3'-0"  
POLYETHYLENE FOAM

**UNIVERSAL CLOSURE**

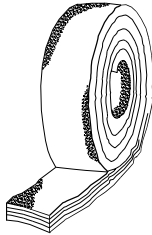


1" x 1 1/2" x 50'-0"  
1" x 1 1/2" x 10'-0"

**VERSA VENT**

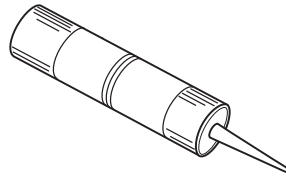


**TAPE SEALANT**



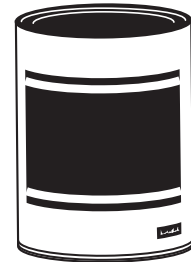
3/8" X 3/32" X 50'  
SINGLE BEAD  
BUTYL - GRAY

**TUBE SEALANT**

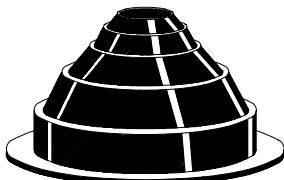


10.3 oz. CARTRIDGE  
URETHANE

**TOUCH-UP PAINT**

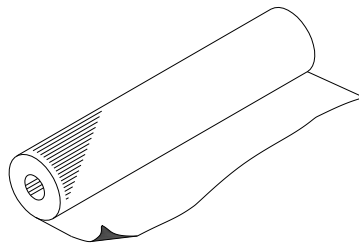


**RUBBER ROOF JACK**



MINI (1/4" TO 1 1/8" O.D. PIPE)  
#2 (1 3/4" TO 3" O.D. PIPE)  
#4 (3" TO 6" O.D. PIPE)  
#6 (6" TO 9" O.D. PIPE)  
#8 (7" TO 13" O.D. PIPE)

**ms-HT UNDERLAYMENT**



**RECEIVING MATERIAL**

It is the responsibility of the installer to unload material from the delivery truck. The installer shall be responsible for providing suitable equipment for unloading of material from the delivery.

After receiving material, check the condition of the material, and review the shipment against the shipping list to ensure all materials are accounted for. If damages or shortages are discovered, it should be noted on the Bill of Lading at the time of delivery. A claim should be made against the carrier as soon as possible. Metal Sales is not responsible for any damages or shortages unless they are documented in writing and presented to Metal Sales within 48 hours.

**GENERAL HANDLING**

Each bundle should be handled carefully to avoid being damaged. Care should be taken to prevent bending of the panel or abrasion to finish. Whenever possible, the bundle should remain crated until it is located in its place of storage. If bundles must be opened, we recommend you re-crate them before lifting. To avoid damage please lift the bundle at its center of gravity.

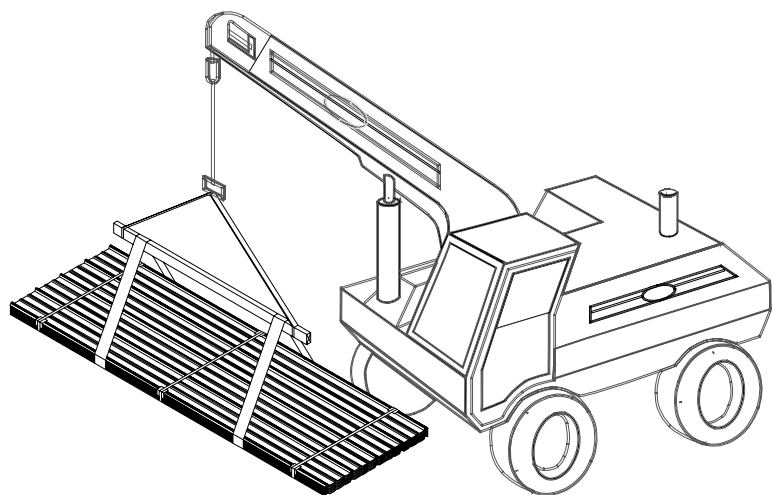
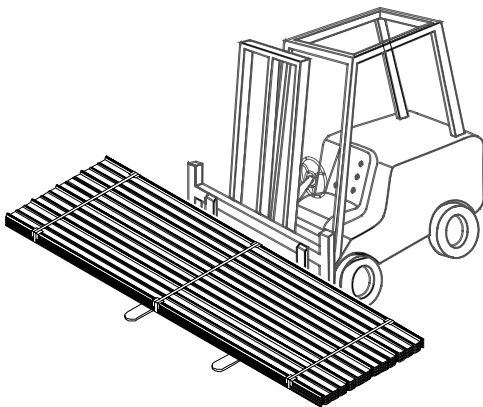
**CAUTION**

**Improper loading and unloading of bundles and crates may result in bodily harm and/or material damage. Metal Sales is not responsible for bodily injuries and/or material damages resulting from improper loading and unloading.**

**MECHANICAL HANDLING**

**Forklift** - A forklift may be used for panels up to 20'-0" long. Please make sure the forks are at their maximum separation. Do not transport open bundles. When transporting bundles across rough terrain, or over a longer distance, some means of supporting the panel load must be used.

**Crane** - A crane should be used when lifting panels with lengths greater than 20'-0". Please be sure to utilize a spreader bar to ensure the even distribution of the weight to the pick up points. As a rule when lifting panels, no more than  $\frac{1}{3}$  of the length of the panel should be left unsupported. Never use wire rope because this will damage the panels.



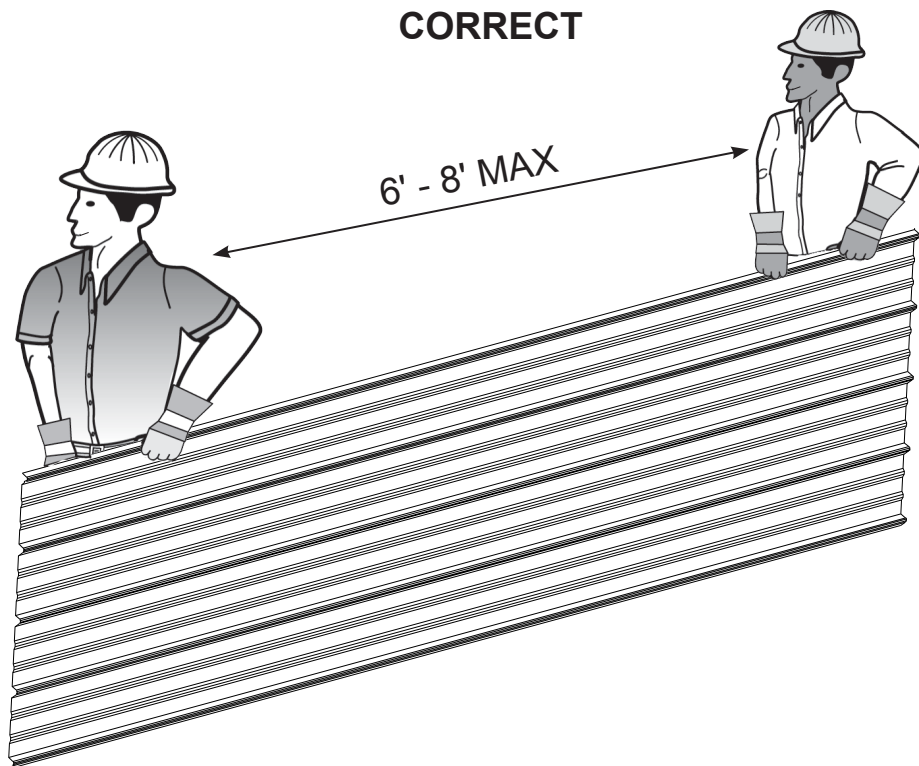
MANUAL HANDLING

When handling painted steel, care should be taken to prevent scratching of material. Clean gloves should be worn at all times to prevent a reaction with salts found on bare skin. Installers should wear rubber sole shoes to keep from scuffing material while walking on the roof.

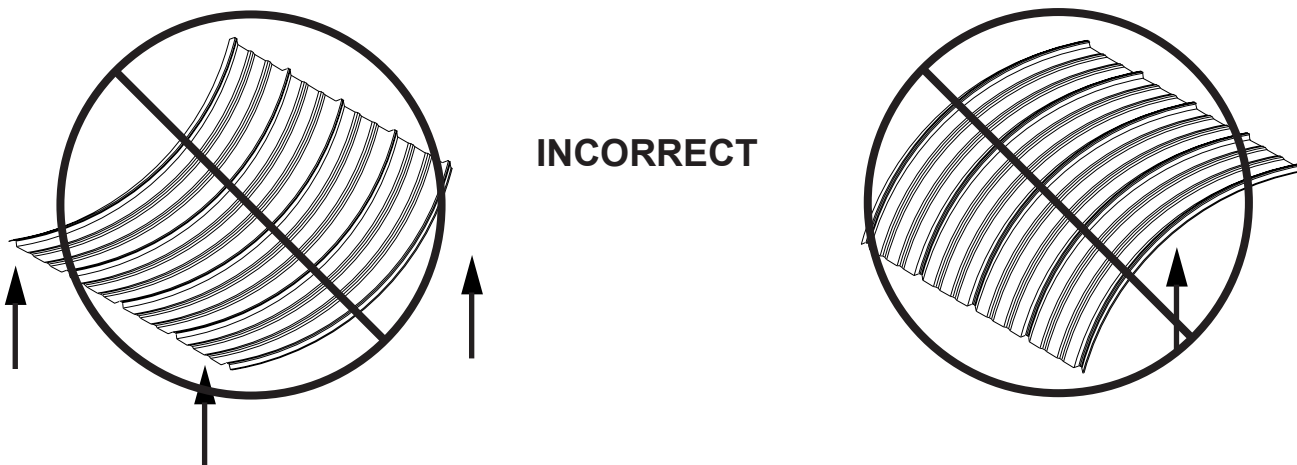
Handling of individual panels should be done carefully and properly to avoid bending or damaging. Panels should be carried by grasping the edge of the panel so that the panel is vertical to the ground. The panel should not be carried horizontal to the ground as this could cause the panel to buckle or bend in the center.

Normally, individual panels can be handled by people placed every 6'-0" to 8'-0" along the length of the panel.

CORRECT



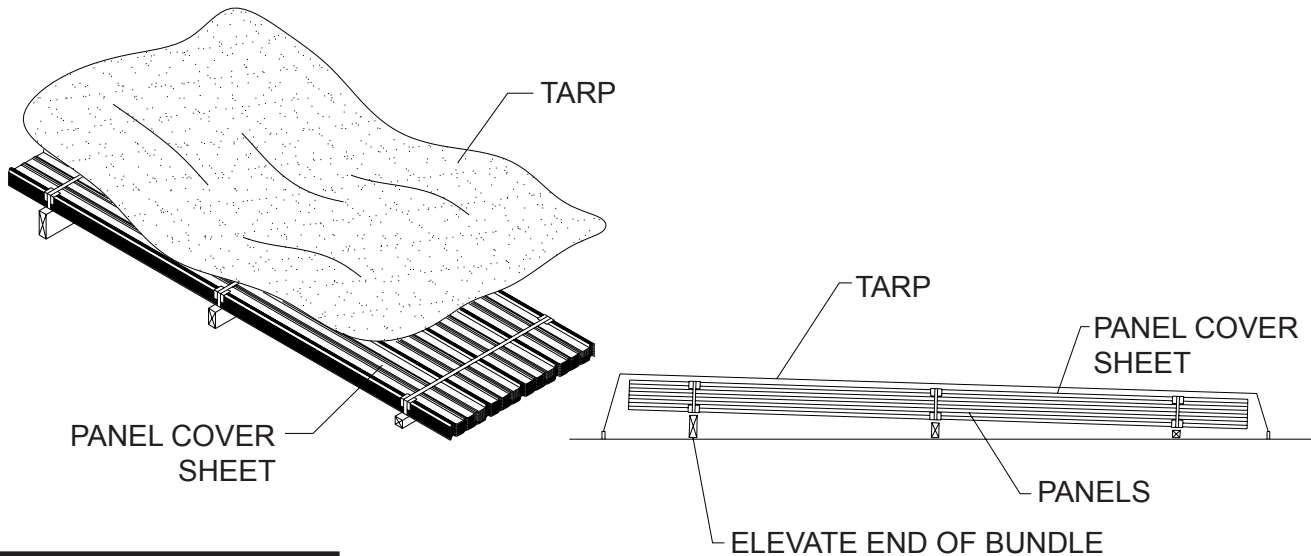
INCORRECT



**STORAGE**

Please inspect panels for moisture accumulation. If moisture has formed, the panels should be unbundled, wiped dry, and allowed to dry completely. Once dry, carefully re-stack the panels and loosely recover allowing for ample air circulation.

Bundled sheets should be stored high enough off of the ground to allow for air circulation and prevent contact with accumulating water. Elevate one end of the bundle to allow any moisture to run off the panels. Metal Sales recommends covering the bundle with a tarp. Do not use tight fitting plastic-type tarps as panel bundle covers. While they may provide protection from heavy downpours, they can also retard necessary ventilation and trap heat and moisture that may accelerate metal corrosion. If panels are to be stored in possible bad weather, we suggest they be stored inside. Extended storage of panels in a bundle is not recommended. **Under no circumstances should the panels be stored near or come in contact with salt water, corrosive chemicals, ash or fumes generated or released inside the building or nearby plants, foundries, plating works, kilns, fertilizer and wet or green lumber.**



**FOOT TRAFFIC**

Care of metal panels and flashings must be exercised throughout erection. Foot traffic can cause distortion of panel and damage to finish. Traffic over the installed system must be kept to an absolute minimum. Installers should wear rubber sole shoes to keep from scuffing material while walking on the roof.

When walking on the roof panels is unavoidable, walk only in the flats of the panel. Walking on the ribs can cause damage to the panels.

**TOOLS**

Standard tools needed for installation include:

- Screw Guns
- Magnetic Bits
- Metal Nibbler or Shear
- Tin Snips
- Tape Measure
- Hammer
- Chalk Line
- Drill with bits
- Pop Rivet Gun
- Safety Goggles
- Gloves
- Ear Plugs
- Fall Protection



**GENERAL**

Metal Sales panels are designed to be installed over open framing and/or directly over a wood sheathing. Common sheathing includes, 7/16" OSB, 19/32" OSB 23/32" OSB, 1/2" plywood, 5/8" plywood and 3/4" plywood with 30# felt moisture barrier (or ms-HT when required by Local Building Codes).

Always check with local building codes prior to all installations for any additional requirements that may be specific to your area.

Galvanized and Galvalume panels should not be in contact with, or subject to, water runoff from copper, lead, or uncoated steel materials. Condensate water from air conditioning units typically contains dissolved copper. This condensate should be discharged through a plastic pipe extended beyond the edge of the roof.

**CONDITION OF SUBSTRUCTURE**

The roof should be inspected for any trapped moisture or structural damage such as bowing or sagging rafters and warped or loose roof purlins or solid decking. These areas should be repaired prior to installing new metal panels.

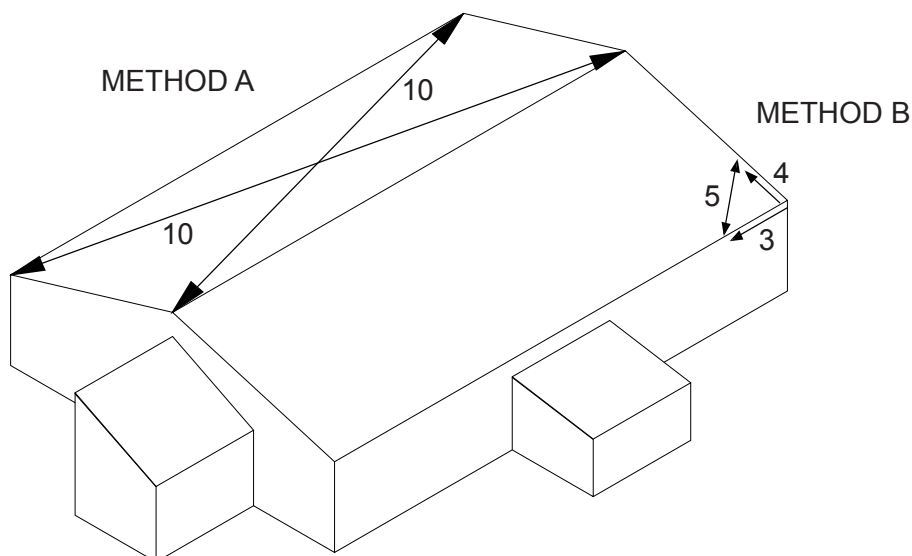
Prior to installation, make sure there are no nails or fasteners protruding from the roof framing or wood substrate which could damage the panels and impede the installation process.

When installed, panel distortion may occur if not applied over properly aligned and uniform substructure.

Whether installing over new or existing roof, the installer should check the roof deck for squareness before installing panels. Several methods can be used to verify squareness of the structure for proper installation of the panels.

METHOD "A" - One method for checking the roof for squareness is to measure diagonally across one slope of the roof from similar points at the ridge and eave and obtain the same dimension.

METHOD "B" - The 3-4-5 triangle system may also be used. To use this system, measure a point from the corner along the edge of the roof at a module of three (3). Measure a point from the same corner along another edge at a module of four (4). By measuring diagonally between the two points established, the dimension should be exactly a module of five (5) to have a square corner. Multiple uses of this system may be required to determine building squareness. If the endwall cannot be made square, the roof system cannot be installed as shown in these instructions.



**FIELD CUTTING**

Tin snips or a shear-type electric tool are recommended for field cutting metal panels. Saw-cutting the steel generates slivers or metal chips. These slivers and metal chips must be immediately removed from the panels because they will damage the finish and shorten the life of the product.

One method of preventing this problem is to flip the panels over when cutting. This allows the slivers and metal chips to be brushed from the back side and avoids damaging the paint on the top side of the panels.

When cutting metal panels and flashings, goggles must be worn for eye protection.

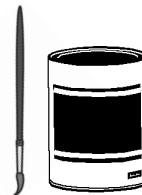
**CAUTION**  
 All product surfaces should be free of debris at all times. Installed surfaces should be wiped clean at the end of each work period. Never cut panels over metal surfaces. Metal shavings will rust on the surface, voiding the warranty.

**TOUCH-UP PAINT**

Handling and installing panels may result in some small scratches or nicks to the paint finish. Touch-up paint is available in matching colors from Metal Sales. It is recommended that only a small brush be used to apply touch-up paint to those areas that are in need of repair. Touch-up paint does not have the superior chalk and fade resistance of the factory applied paint finish and will normally discolor at an accelerated rate. Because of this variation in weathering, it is recommended to use as little touch-up paint as possible. If touch-up paint is needed, consider replacing the part rather than applying touch-up paint. Aerosol paint should not be used because of the overspray that may occur.



SPRAY PAINT



TOUCH-UP PAINT

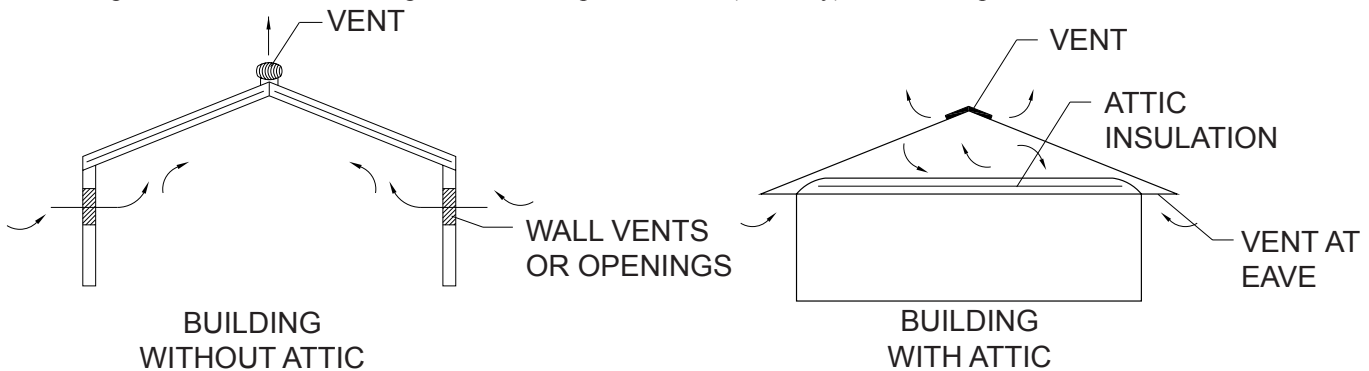
**VENTILATION**

Proper design and installation of vapor barriers and ventilation systems are important to prevent condensation and the resulting problems of moisture damage and loss of insulation efficiency.

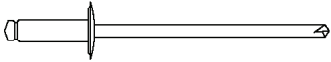
Condensation occurs when moisture laden air comes in contact with a surface temperature equal to or below the dew point of the air. This phenomenon creates problems that are not unique with metal buildings; these problems are common to all types of construction.

The underside of the metal roof on a typical metal building (no attic) should be protected from condensation by insulating with a faced insulation. This should reduce the potential of condensation forming on the underside of the panels.

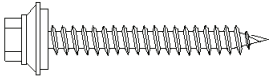
On buildings that have an attic space or are being retrofitted with a metal roofing system, vents should be placed at both the eave and peak of the roof in order to prevent a buildup of moisture (humidity) in the attic space.



**FASTENER SELECTION GUIDE**

POP RIVET	SIZE	TYPE	FINISH	APPLICATION
	1/8" x 3/16"	A	Unpainted	Flashing to Panel, Flashing to Flashing
	1/8" x 3/16"	A	Painted	Flashing to Panel, Flashing to Flashing

PANCAKE HEAD WOODSCREW	SIZE	TYPE	FINISH	APPLICATION
	#10-12 x 1"	A	Plated	Panel or Flashing to wood substructure

WOODSCREW	SIZE	TYPE	FINISH	APPLICATION
	#10-14 x 1"	A	Painted	Panel or Flashing to wood substructure
	#10-14 x 1 1/2"	A	Painted	
	#10-14 x 2"	A	Painted	

STITCH SCREW	SIZE	TYPE	FINISH	APPLICATION
	1/4" - 14 x 7/8"	Stitch	Painted	Flashing to Panel, Flashing to Flashing, Panel Sidelap

**PANEL LENGTH**

**Length** - Minimum factory cut length is 5'-0" on panels. Panels over 45'-0" require additional consideration in packaging, shipping, and erection. Please consult Metal Sales for recommendations.

There are two critical measurements involving metal panels: the length of panel overhang required at the eave, and the peak end. In each case a certain measurement is required. Check each measurement to ensure panel placement gives you the distance required at the eave, and peak condition. In most cases any variance can be taken out at the eave or peak ends.

**EXPANSION AND CONTRACTION**

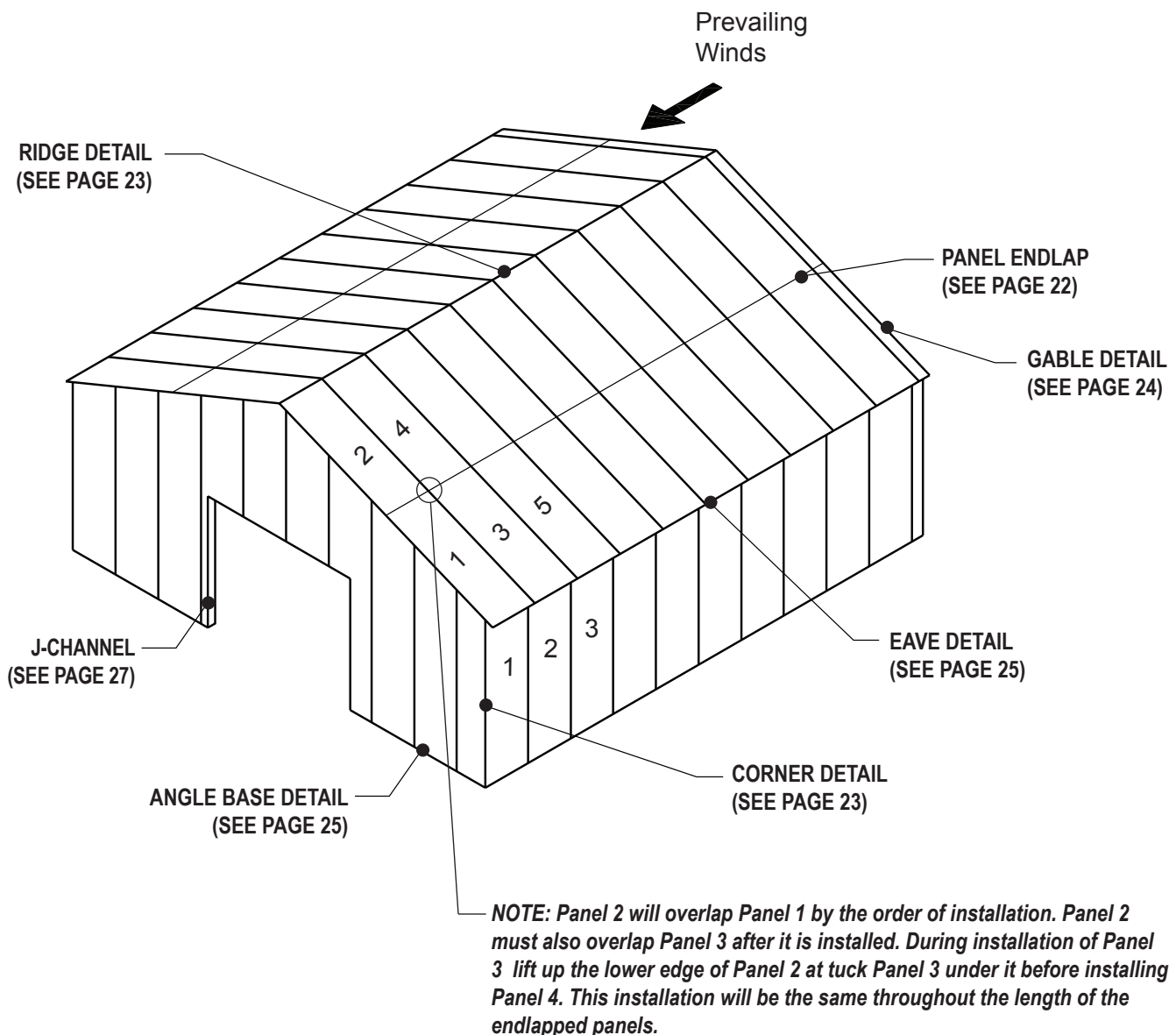
Classic Rib is a direct-fastened panel system. Fasteners throughout the system penetrate the panel and secure the system to the building framing. When the temperature of the panels increase, the panels lengthen. When the temperature of the panels decrease, the panels shorten. This change in length can adversely affect the fastener connections by loosening the embedment in the supporting member, by causing the fasteners to back-out, by breaking fasteners and by elongating the fastener hole in the panels.

Strategies to address the effects of thermal expansion and contraction include: use shorter panel runs, use a flexible support system, install fasteners in ribs rather than in the panel flat between the ribs, breakup long panel runs by introducing a roof step, use endlaps without fasteners through the endlap - allowing the panels to slide at the endlap and use a slope-change type flashing to bridge a gap between panels - allowing the panels to move independently, rather than using an endlap.

Thermal expansion and contraction should be considered on panels longer than 20'. Panel runs longer than 40' generally require some means of accommodating thermal expansion and contraction to avoid fastener issues.

## POST FRAME OVERVIEW

- ◆ As shown below with the number designations, install panel against the prevailing wind. Installing Wall Panels first then Roof Panels. All panels and trims must not hold water, but allow it to run off.
- ◆ To minimize corrosion, siding panels should not be installed all the way to the ground.
- ◆ Siding panels should lap over the foundations or splash boards at least three inches.
- ◆ Make sure panels are square and plumb, to assure straight and proper alignment of the entire row of panels.
- ◆ For areas with high wind considerations, closer fastener spacing may be required.
- ◆ It is necessary to attach a temporary guide to the foundation to use as an alignment guide when installing siding panels.
- ◆ Siphon groove side of panel must be overlapped with the non siphon groove side of the adjacent panel (if applicable).
- ◆ When endlapping panels, both of the ridge panels must overlap the eave panels at the sidelaps.
- ◆ At endlaps, apply Tape Sealant across the full width of the upper end of the eave panels. Tube sealant may be needed to fill some gaps.

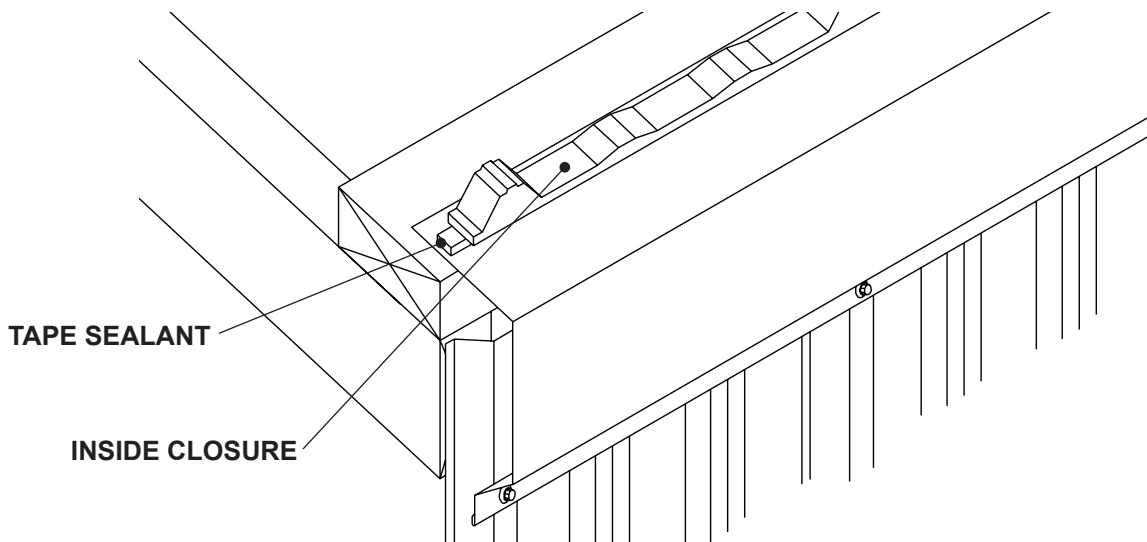


NOTE: -Eave Molding, Gutter and Valley Flashings must first be installed before panel installation can begin.  
-Panels can be installed going from either left to right or right to left, looking from eave to peak.

## INSTALLING INSIDE CLOSURES

### STEP 1

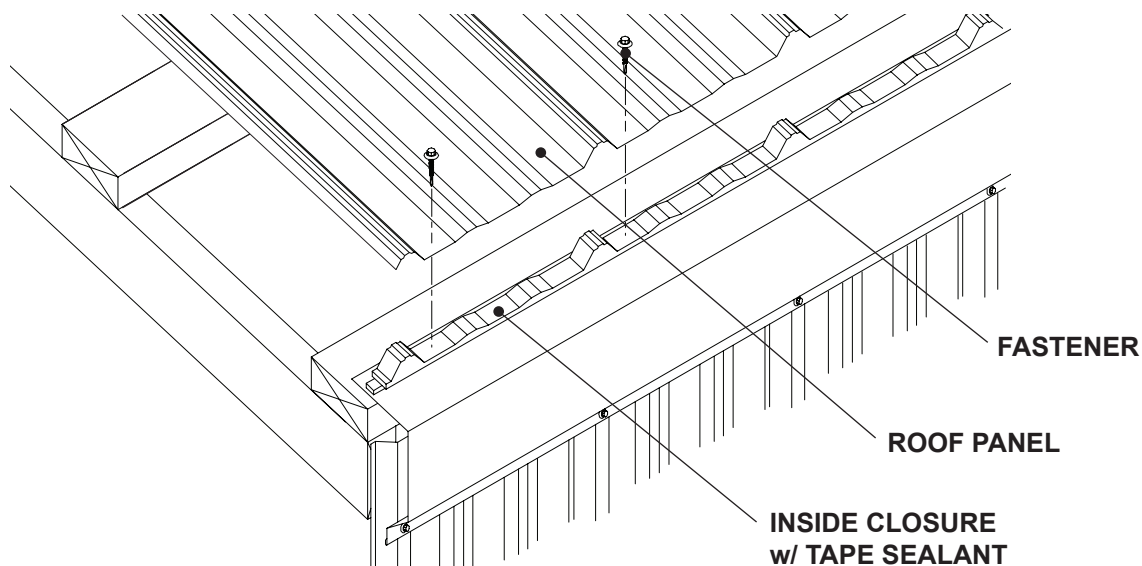
1. Apply a row of Tape Sealant across the top leg of the Eave Molding along the width of the building.
2. Align and place Inside Closures over the Tape Sealant. It is critical that Inside Closures are square to building as this will control the alignment of the panels. (See page 17 to check building square).
3. Apply a row of Tape Sealant across the top of the Inside Closure (Not shown for clarity).



## INSTALLING FIRST PANEL

### STEP 2

1. Install the first panel over the Inside Closure allowing desired overhang. Make sure the panel is square to the eave and rake.
2. Fasten through panel, closure and sealants into decking with appropriate amount of fasteners to meet local building code. (See fastening patterns on page 6). Fasteners must penetrate closure and sealant.
3. After securing panel at eave, repeat the fastening pattern at all panel support locations.

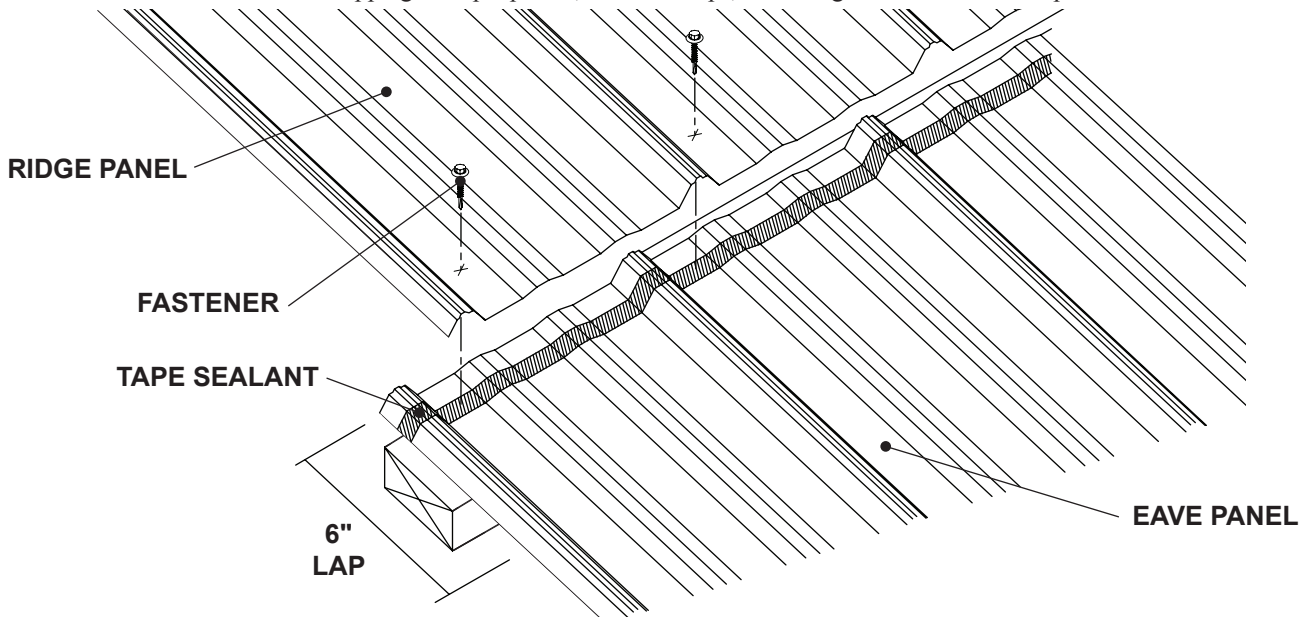


**INSTALLING ENDLAP PANEL (IF REQUIRED)**

**STEP  
3**

1. Apply a row of Tape Sealant across and over the ribs of the eave panel about 3" from panel end.
2. Install the ridge panel over the eave panel and Tape Sealant with a 6" Endlap. Fasten through both panels and Tape Sealant into support with appropriate amount of fasteners to meet local building code. (See fastening patterns on page 6). Fasteners must penetrate sealant.
3. After securing panel, repeat the fastening pattern at all panel support locations.

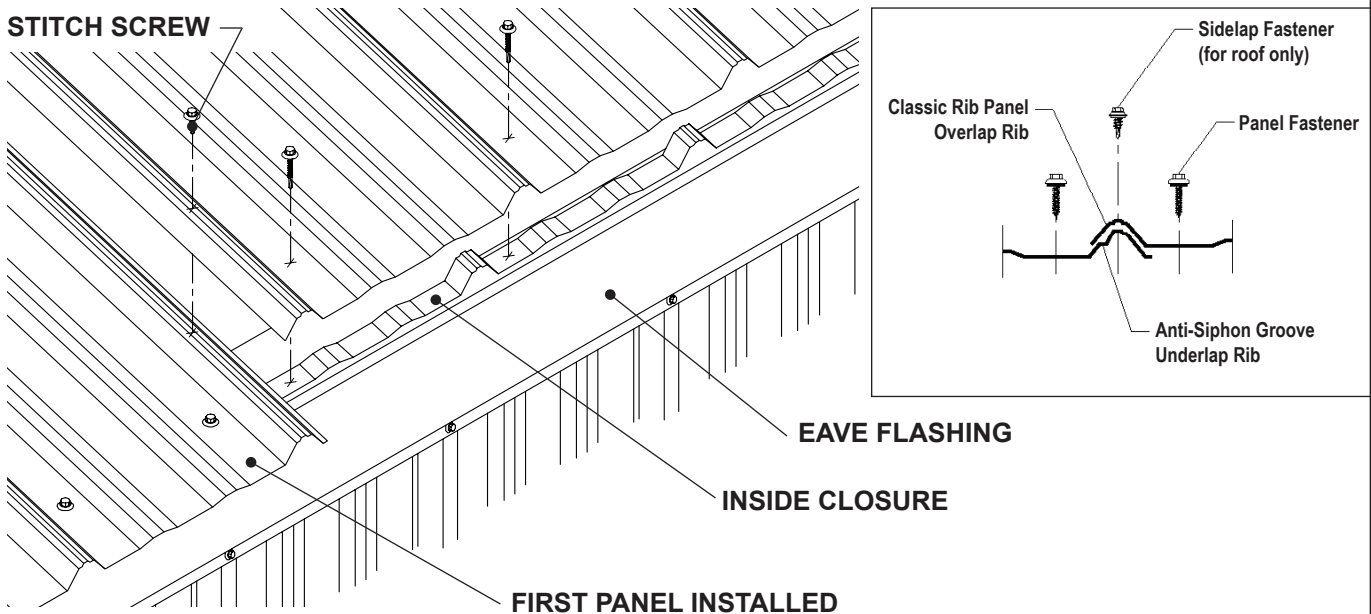
Note: When endlapping multiple panels, at the sidelaps, both Ridge Panels must overlap both Eave Panels.



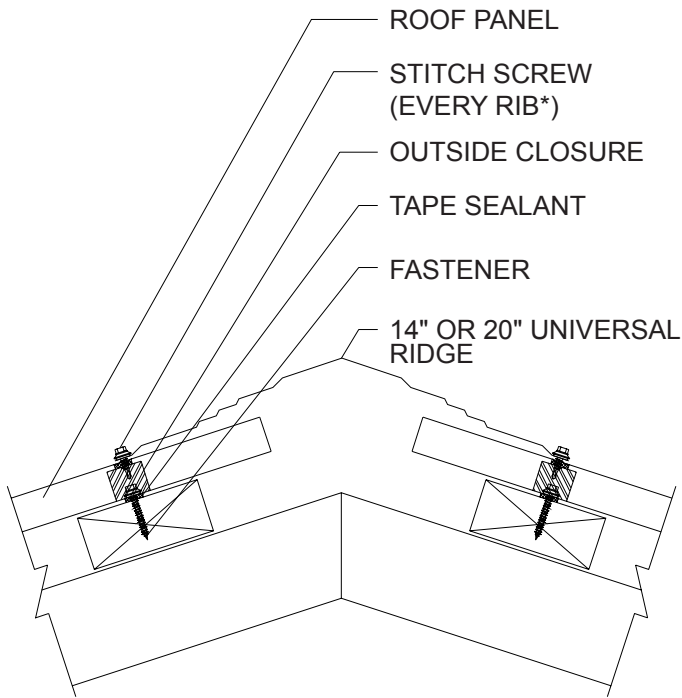
**INSTALLING SIDELAP PANEL**

**STEP  
4**

1. Place the Overlap Rib of the second panel on top of the Underlap Rib of the previously installed panel so that panel ends are flush at eave (See below).
2. Fasten through panel, closure, and Tape Sealant into support with appropriate amount of fasteners to meet local building code. (See fastening patterns on page 6). Fasteners must penetrate closure and sealant.
3. After securing panel, repeat the fastening pattern at all panel support locations.

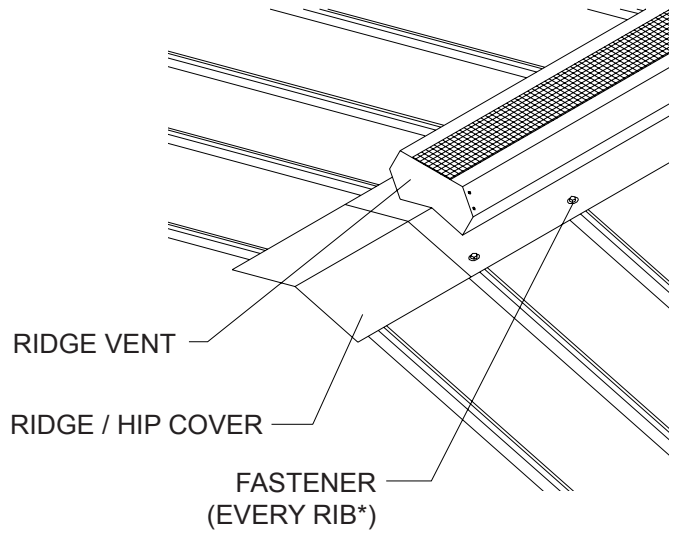


**14" UNIVERSAL RIDGE DETAIL**



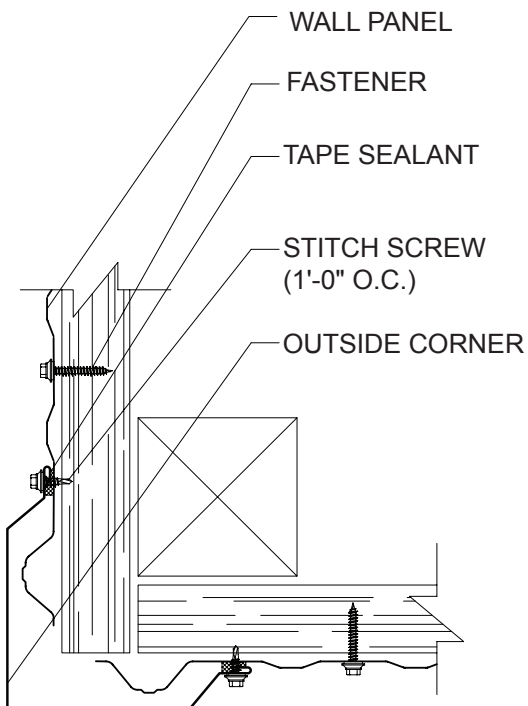
\* FASTENER SPACING TO BE 8" - 12" O.C.

**LOW PROFILE RIDGE VENT DETAIL**

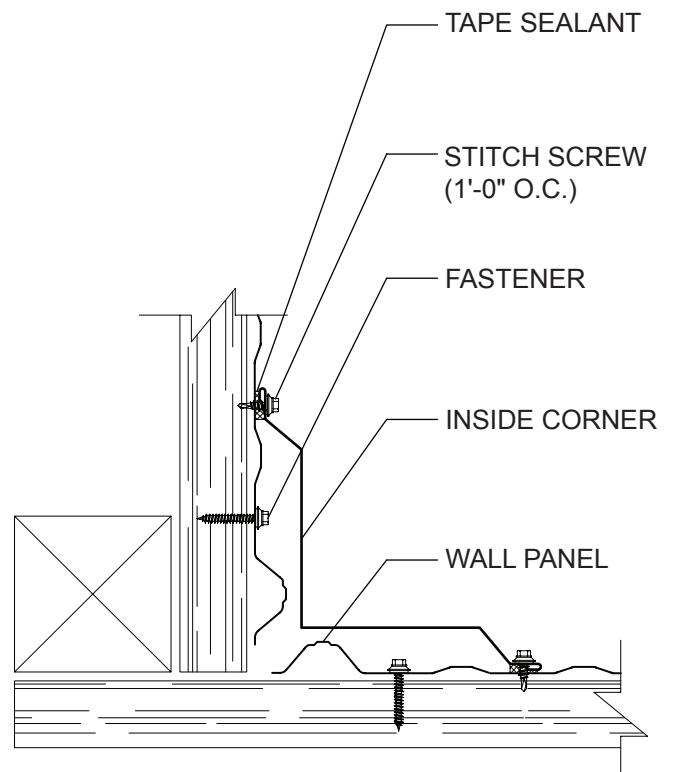


\* FASTENER SPACING TO BE 8" - 12" O.C.

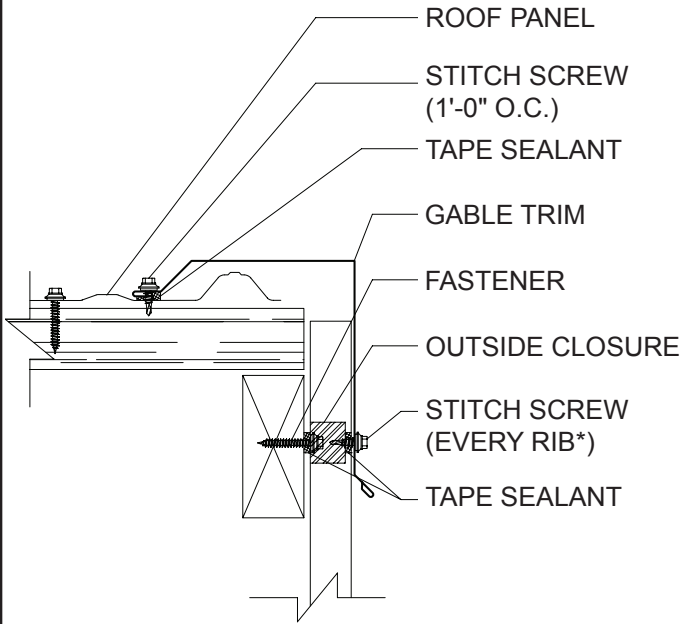
**OUTSIDE CORNER DETAIL**



**INSIDE CORNER DETAIL**

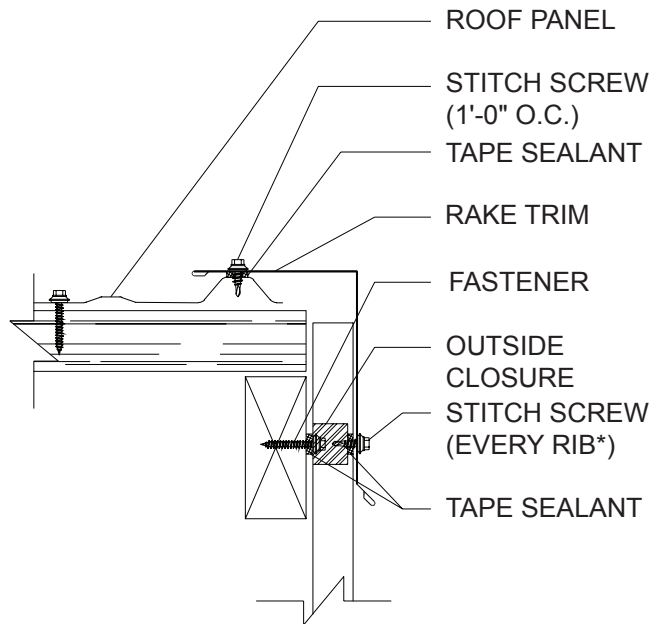


**GABLE TRIM DETAIL**



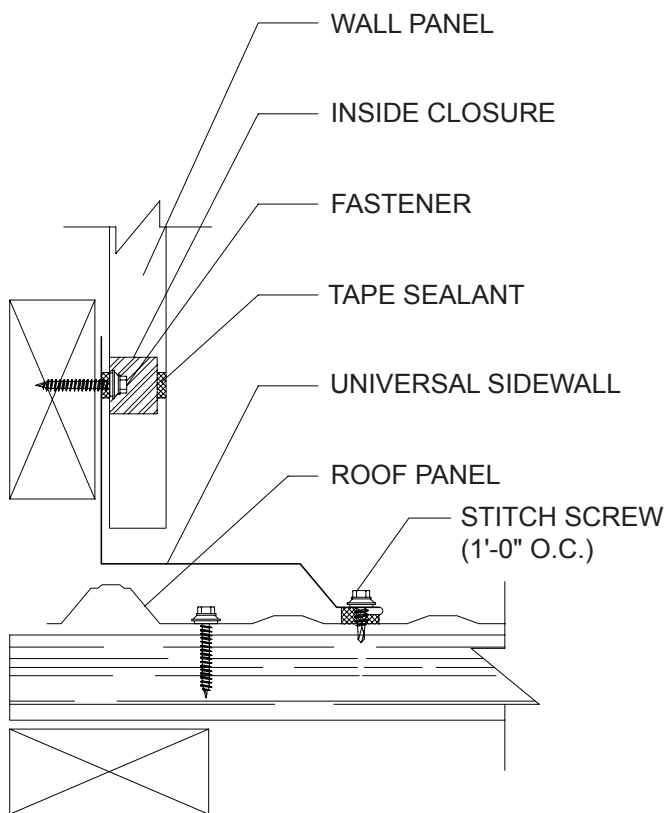
\* FASTENER SPACING TO BE 8" - 12" O.C.

**RAKE TRIM DETAIL**

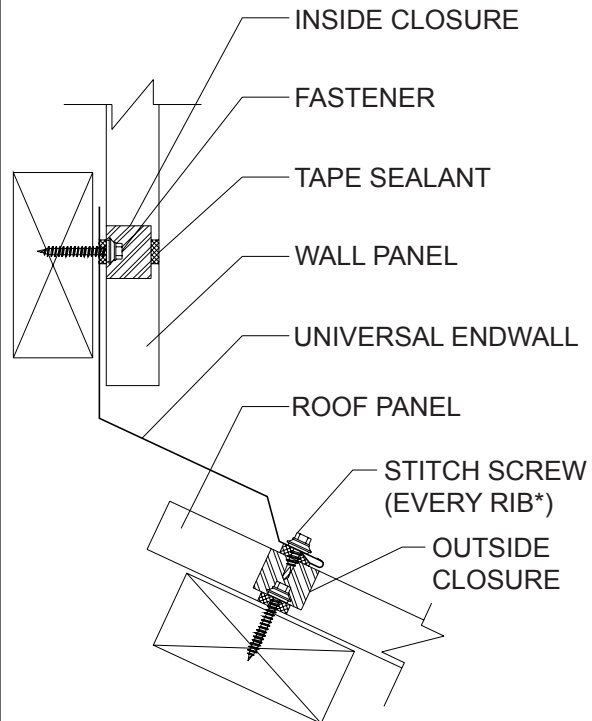


\* FASTENER SPACING TO BE 8" - 12" O.C.

**UNIVERSAL SIDEWALL DETAIL**



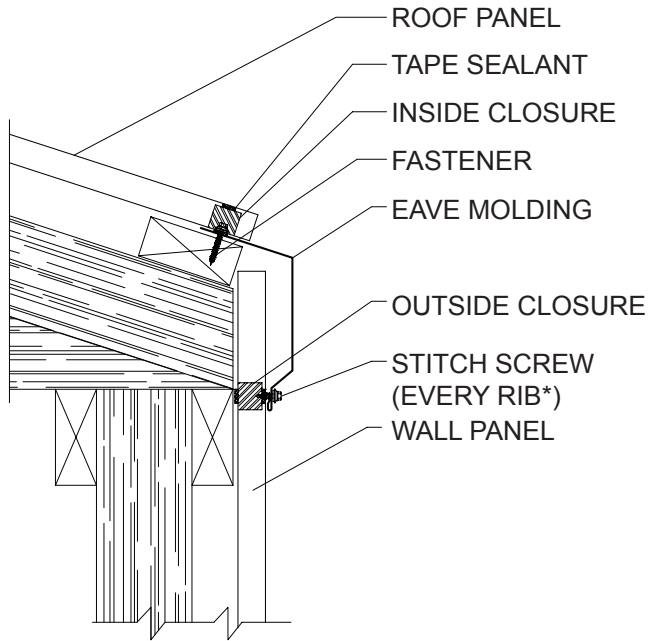
**UNIVERSAL ENDWALL DETAIL**



\* FASTENER SPACING TO BE 8" - 12" O.C.

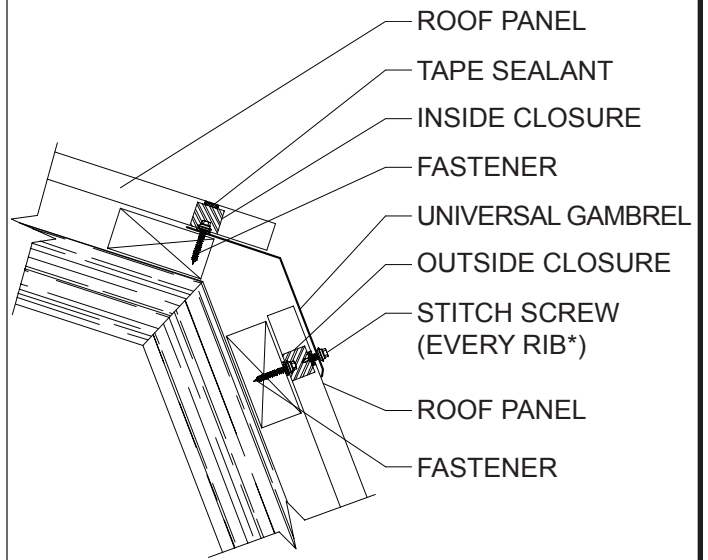


**EAVE MOLDING DETAIL**



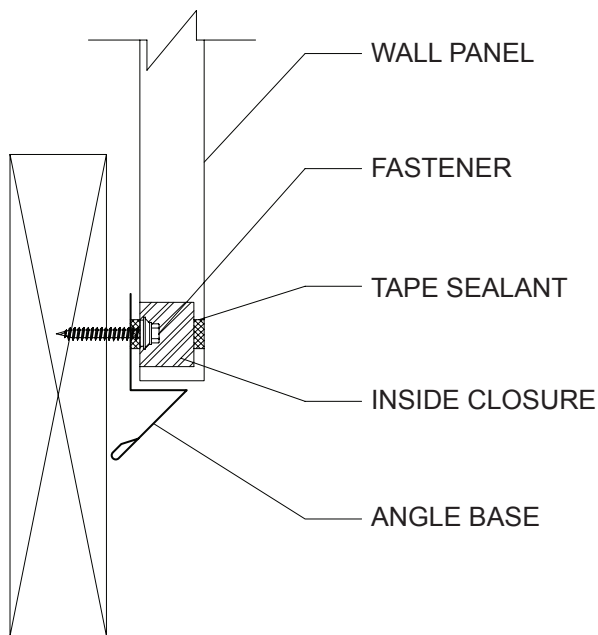
\* FASTENER SPACING TO BE 8" - 12" O.C.

**UNIVERSAL GAMBREL DETAIL**

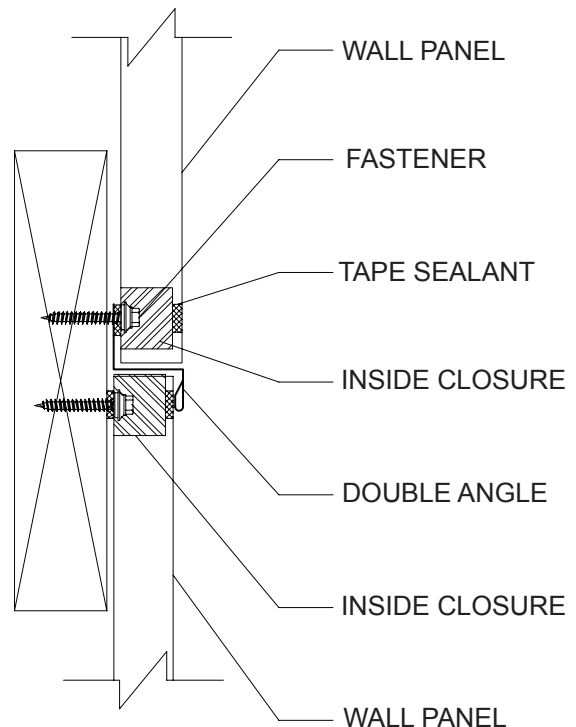


\* FASTENER SPACING TO BE 8" - 12" O.C.

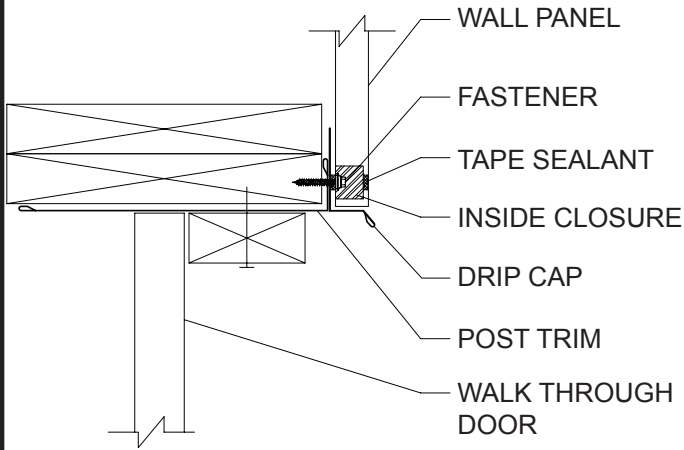
**ANGLE BASE DETAIL**



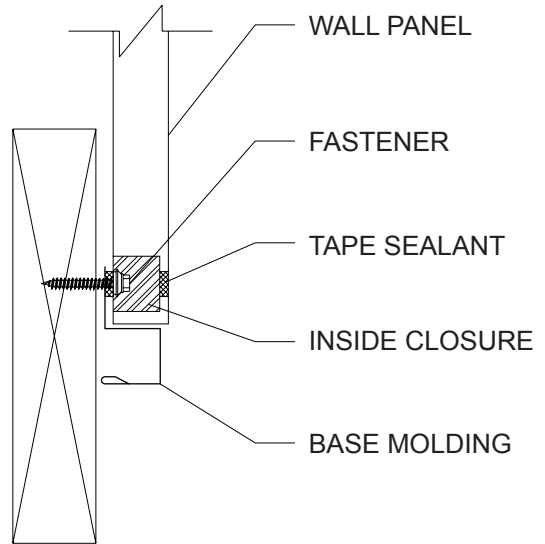
**DOUBLE ANGLE DETAIL**



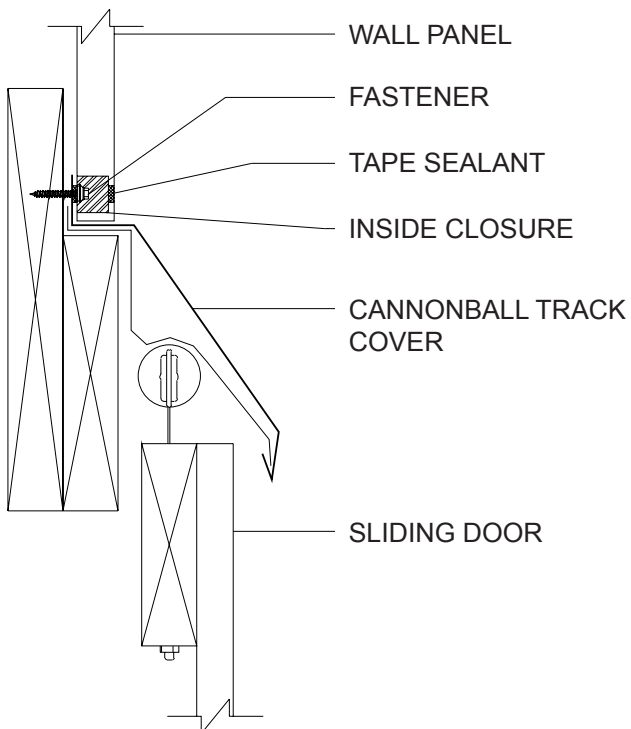
**DRIP CAP DETAIL**



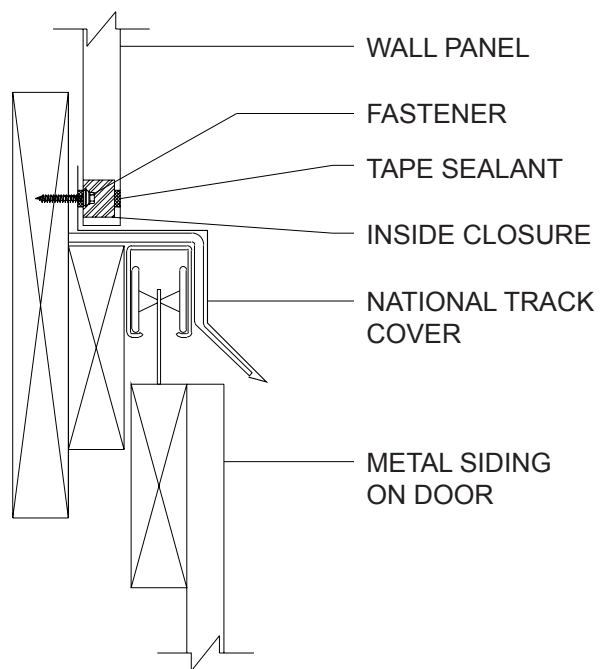
**BASE MOLDING DETAIL**



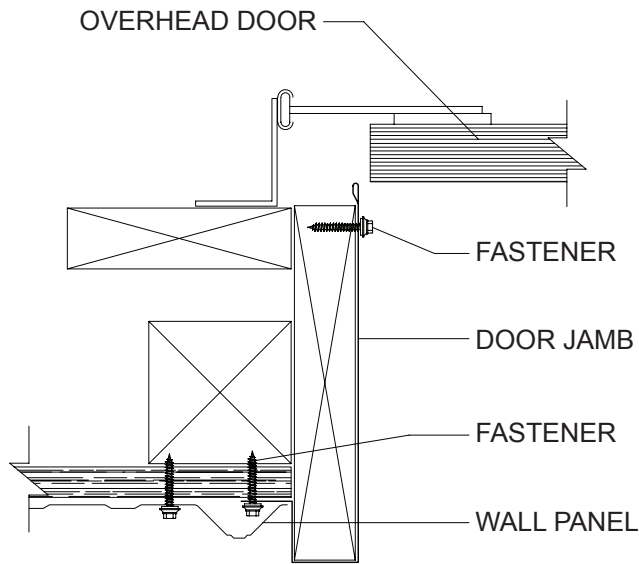
**CANNONBALL TRACK COVER DETAIL**



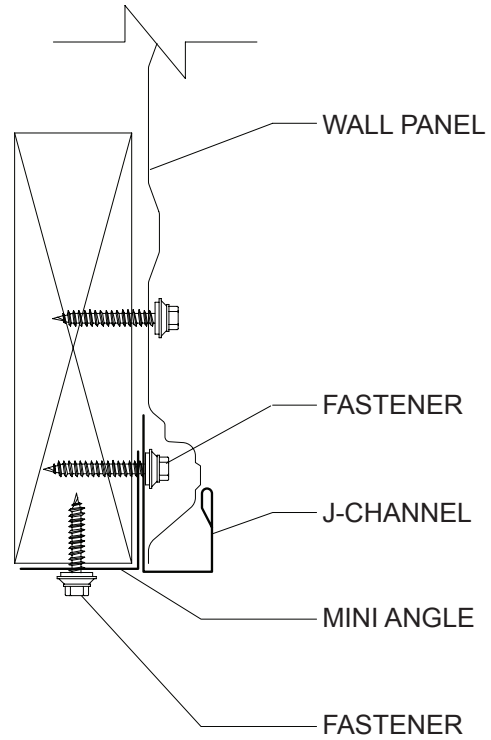
**NATIONAL TRACK COVER DETAIL**



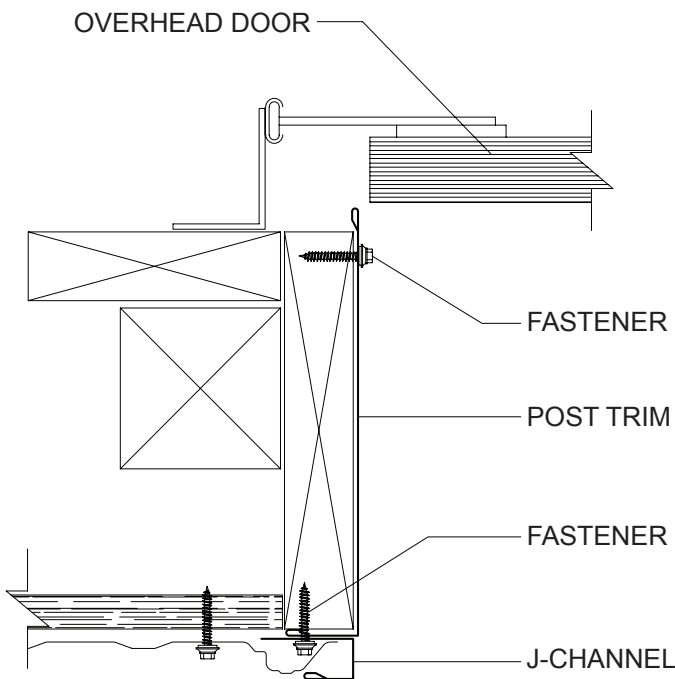
**DOOR JAMB DETAIL**



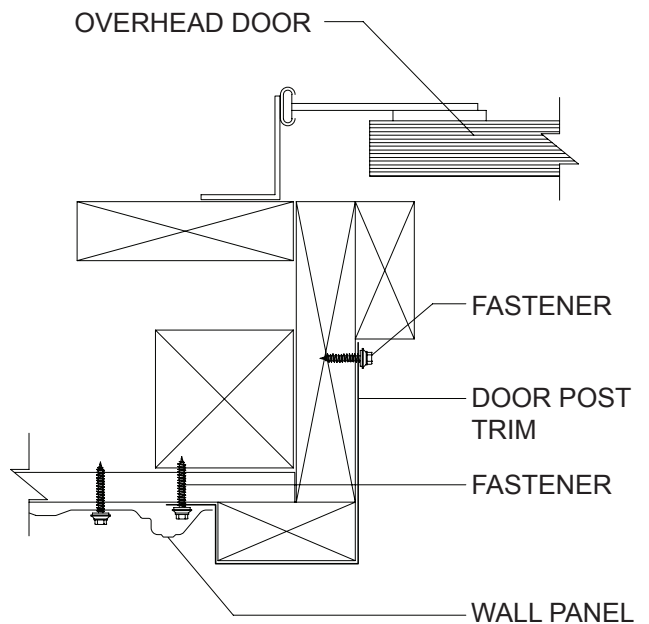
**MINI-ANGLE / U-FLASHING DETAIL**



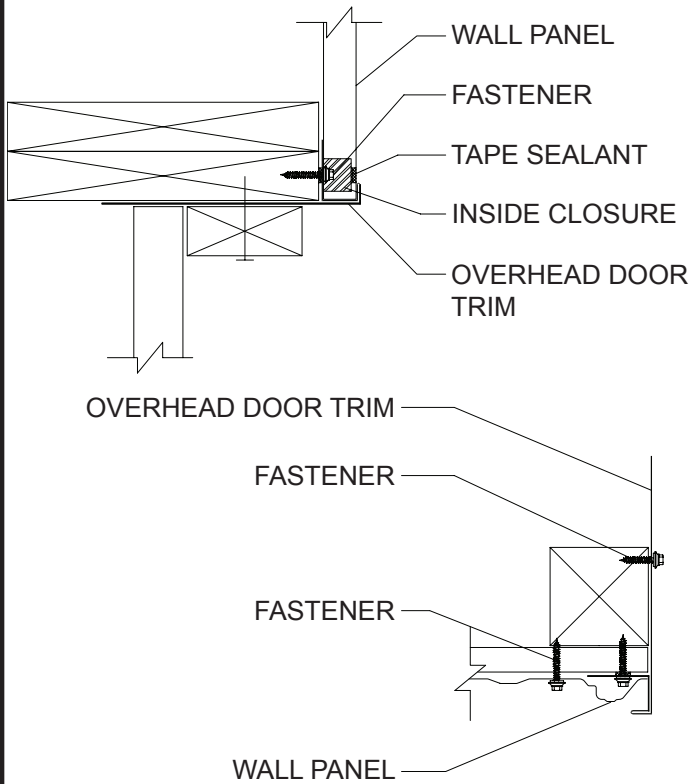
**POST TRIM DETAIL**



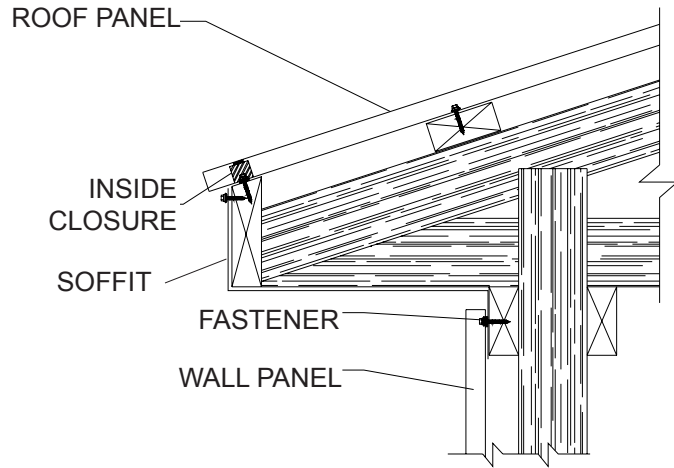
**DOOR POST TRIM DETAIL**



**OVERHEAD DOOR TRIM DETAIL**

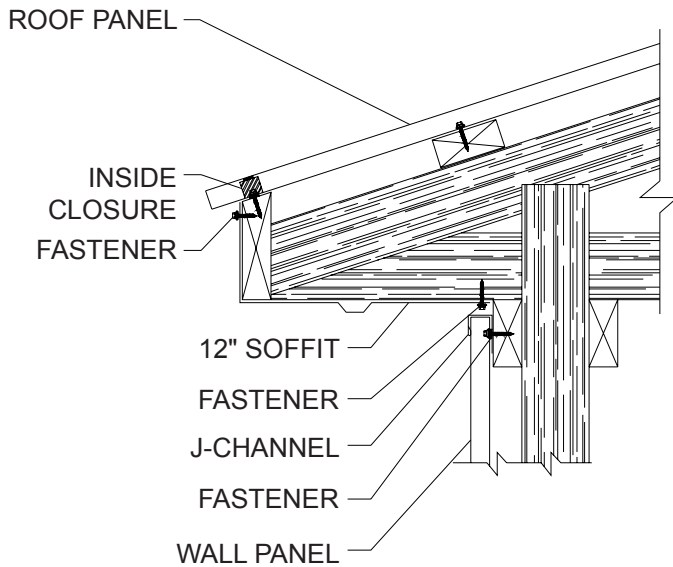


**SOFFIT DETAIL**

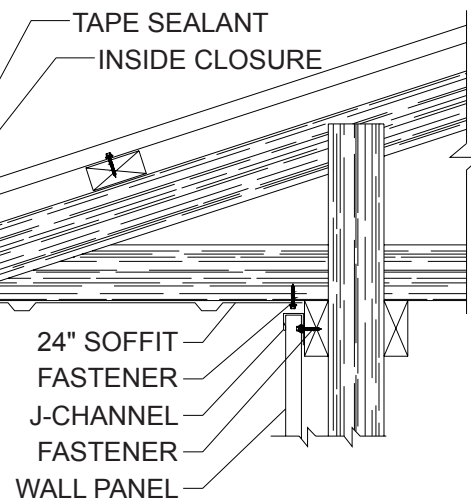


\* FASTENER SPACING TO BE 8" - 12" O.C.

**12" SOFFIT DETAIL**

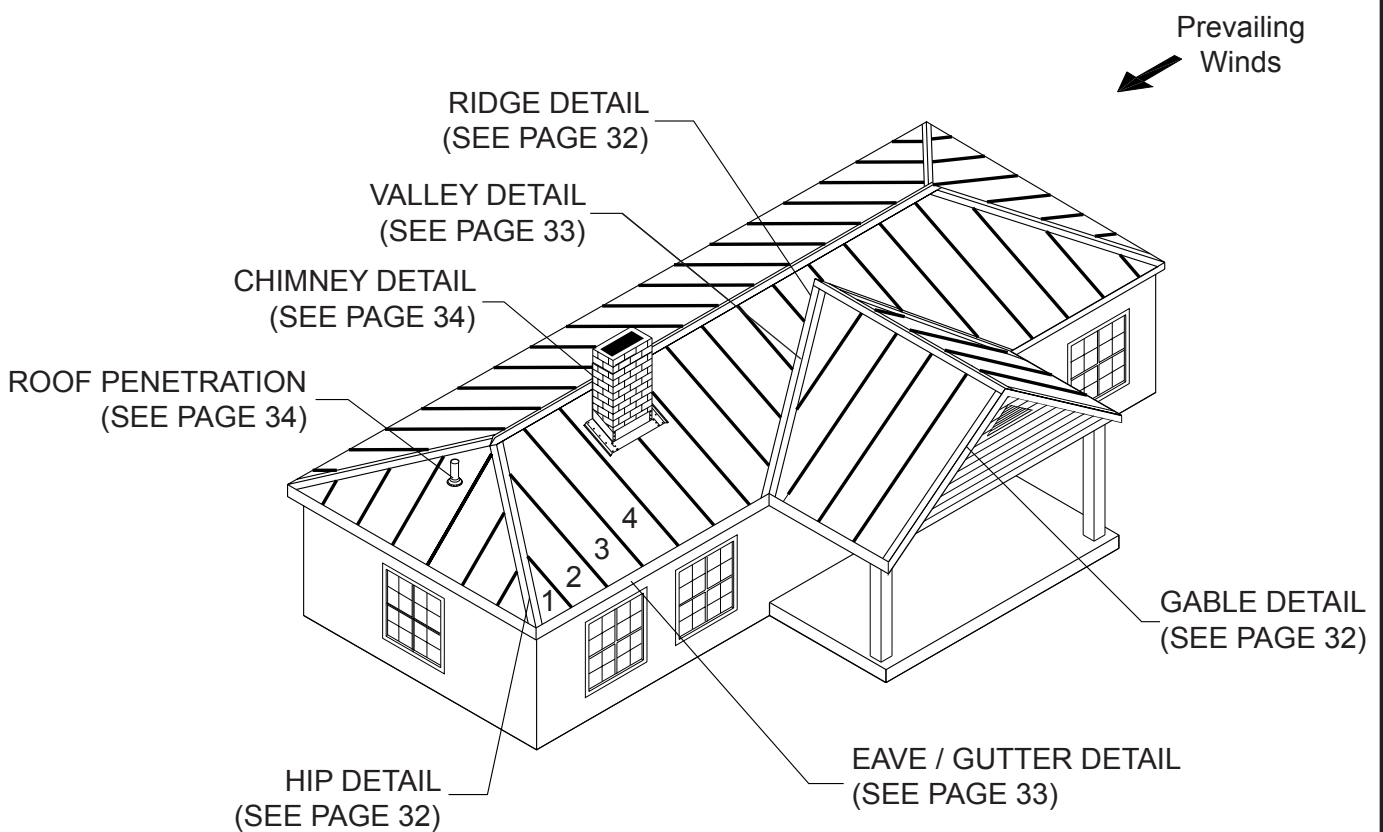


**24" SOFFIT DETAIL**



**RESIDENTIAL OVERVIEW**

- ▶ As shown below with the number designations, install panel against the prevailing wind.
- ▶ Make sure panels are square and plumb, to assure straight and proper alignment of the entire row of panels.
- ▶ For areas with high wind considerations, closer fastener spacing may be required.
- ▶ It is necessary to attach a temporary guide to the foundation to use as an alignment guide when installing siding panels.
- ▶ Anti-Siphon groove side of panel must be overlapped with the non-siphon groove side of the adjacent panel.

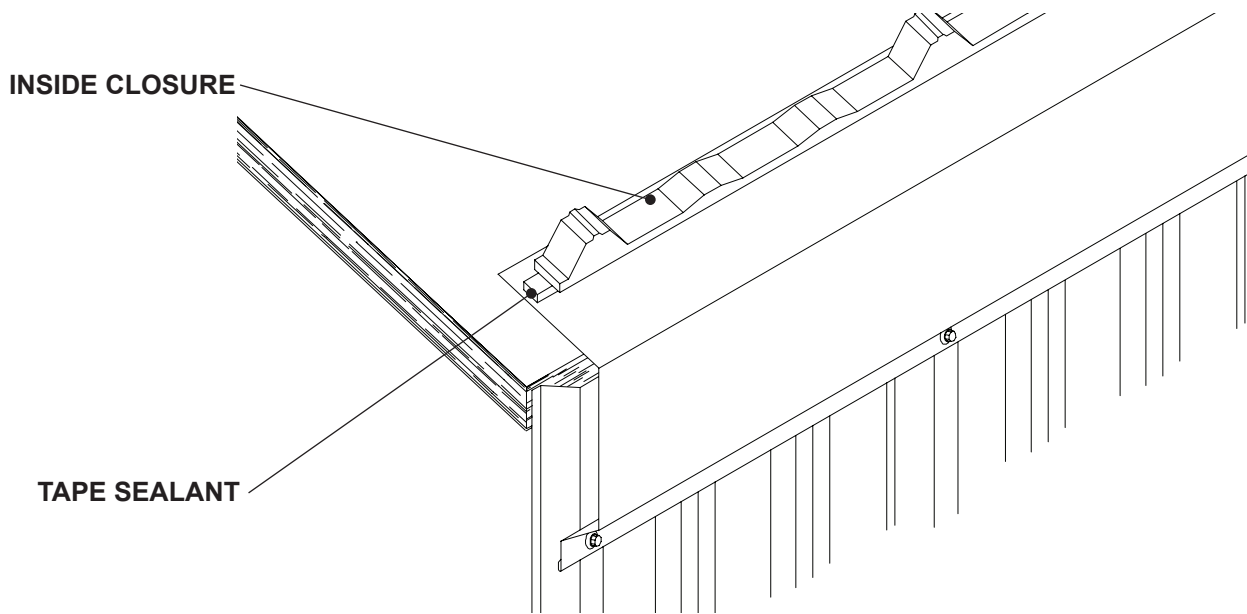


**NOTE:** -Eave Molding, Gutter and Valley Flashings must first be installed before panel installation can begin.  
 -Panels can be installed going from either left to right or right to left, looking from eave to peak.

**INSTALLING INSIDE CLOSURES**

**STEP 1**

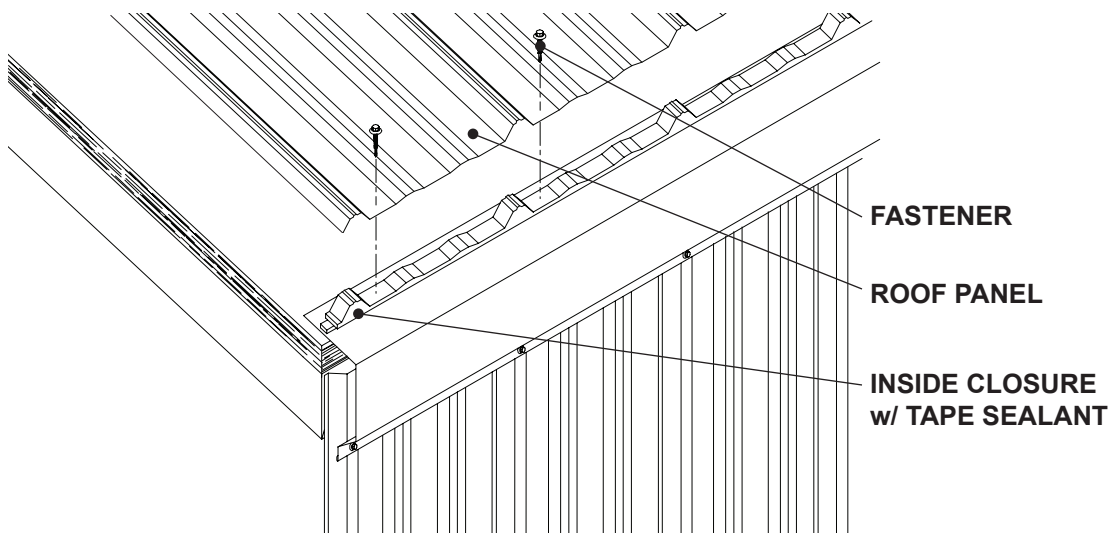
1. Apply a row of Tape Sealant across the top leg of the Eave Molding along the width of the building.
2. Align and place Inside Closures over the Tape Sealant. It is critical that Inside Closures are square to building as this will control the alignment of the panels. (See page 17 to check building square).
3. Apply a row of Tape Sealant across the top of the Inside Closure (not shown for clarity).



**INSTALLING FIRST PANEL**

**STEP 2**

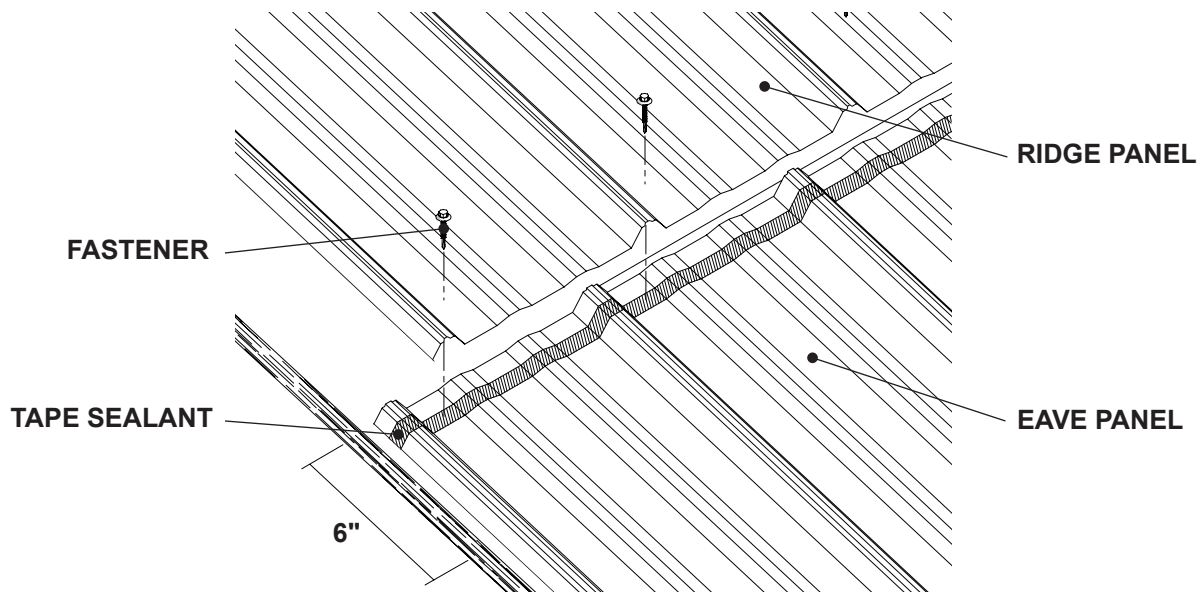
1. Install the first panel over the Inside Closure to allow for desired overhang. Make sure the panel is square to the eave and rake.
2. Fasten through panel, closure and sealants into decking with appropriate amount of fasteners to meet local building code. (See fastening patterns on page 6). Fasteners must penetrate closure and sealant.
3. After securing panel at eave, repeat the fastening pattern at the appropriate spacing to meet local building codes.



**INSTALLING ENDLAP PANEL (IF REQUIRED)**

**STEP 3**

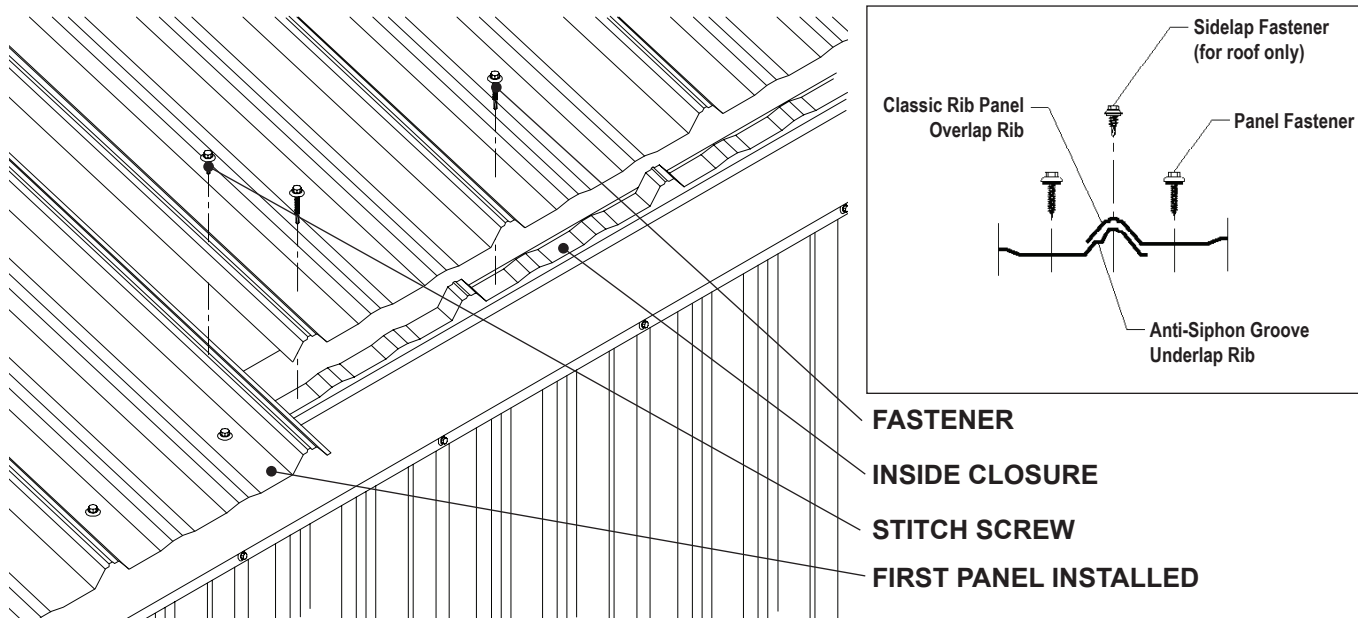
1. Apply a row of Tape Sealant across and over the ribs of the first panel about 3" from panel end.
2. Install the second panel over the first panel and Tape Sealant with a 6" Endlap. Fasten through both panels and Tape Sealant into support with appropriate amount of fasteners to meet local building code. (See fastening patterns on page 6). Fasteners must penetrate sealant.
3. After securing panel at eave, repeat the fastening pattern at the appropriate spacing to meet local building codes.



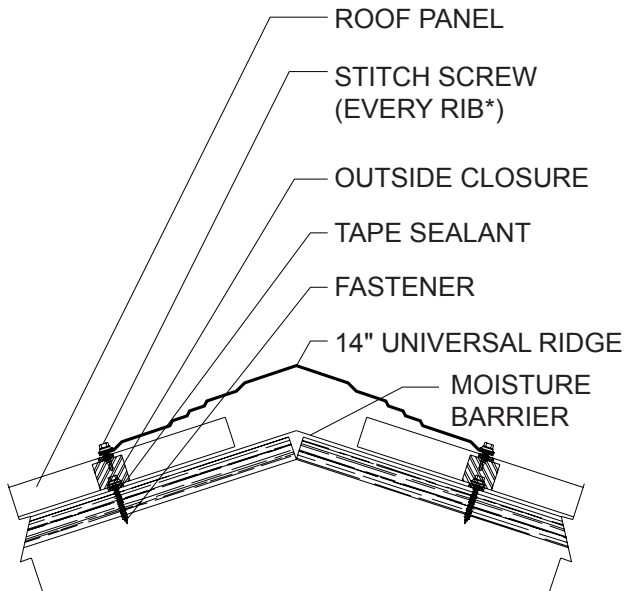
**INSTALLING SECOND EAVE PANEL**

**STEP 4**

1. Place the Overlap Rib of the second panel on top of the Underlap Rib of the previously installed panel so that panel ends are flush at eave (See below).
2. Fasten through panel, closure and Tape Sealant into support with appropriate amount of fasteners to meet local building code. (See fastening patterns on page 6). Fasteners must penetrate closure and sealant.
3. After securing panel at eave, repeat the fastening pattern at the appropriate spacing to meet local building codes.

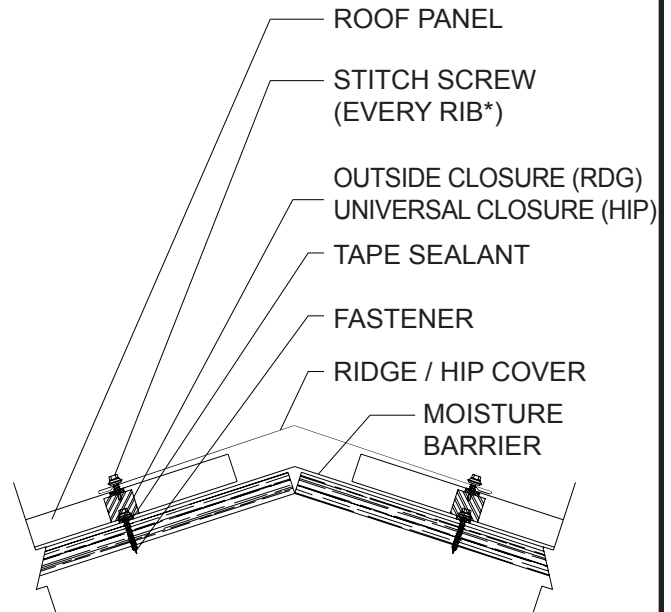


**14" UNIVERSAL RIDGE DETAIL**



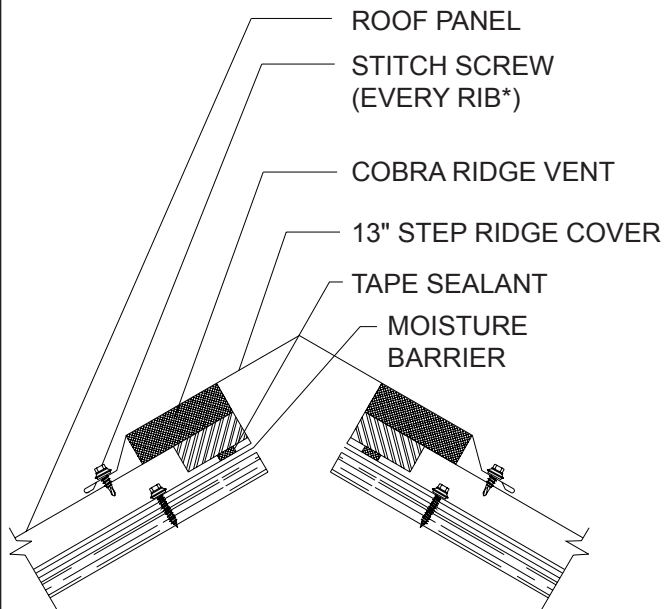
\* FASTENER SPACING TO BE 8" - 12" O.C.

**RIDGE / HIP COVER DETAIL**



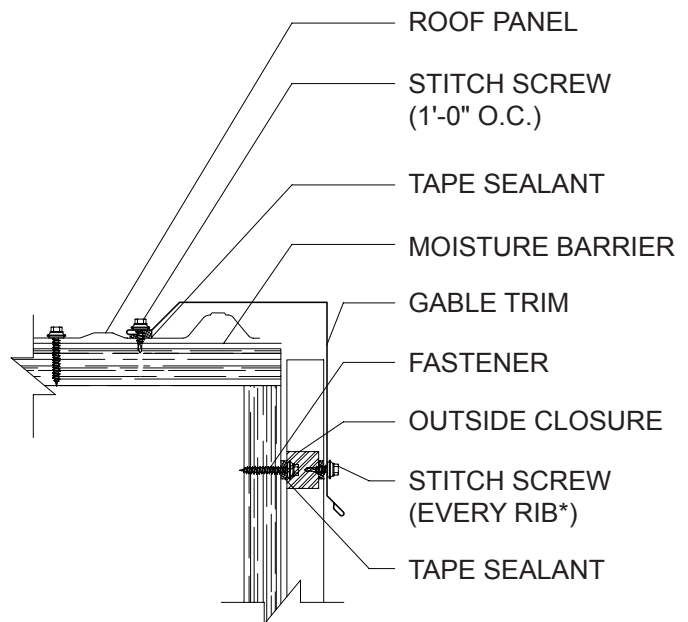
\* FASTENER SPACING TO BE 8" - 12" O.C.

**VENTED RIDGE DETAIL**



\* FASTENER SPACING TO BE 8" - 12" O.C.

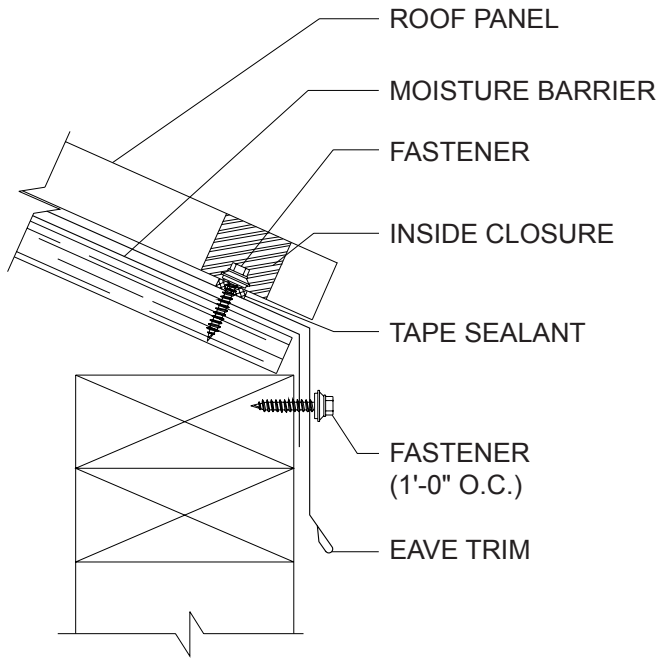
**GABLE TRIM DETAIL**



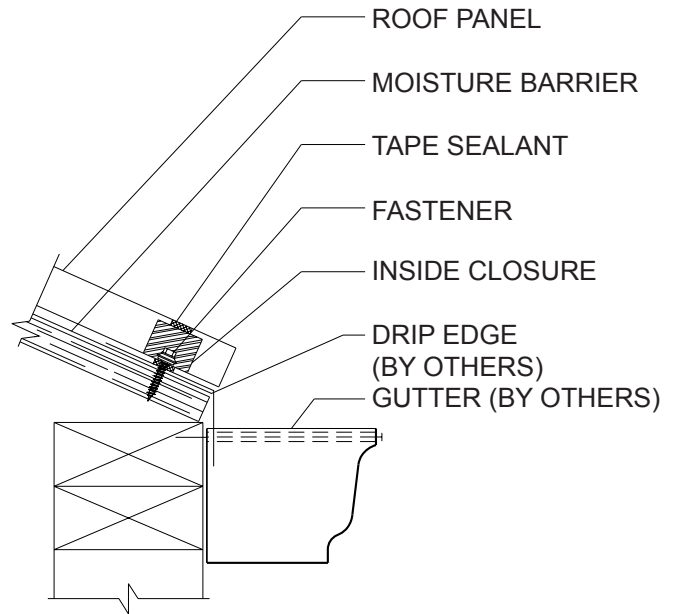
\* FASTENER SPACING TO BE 8" - 12" O.C.



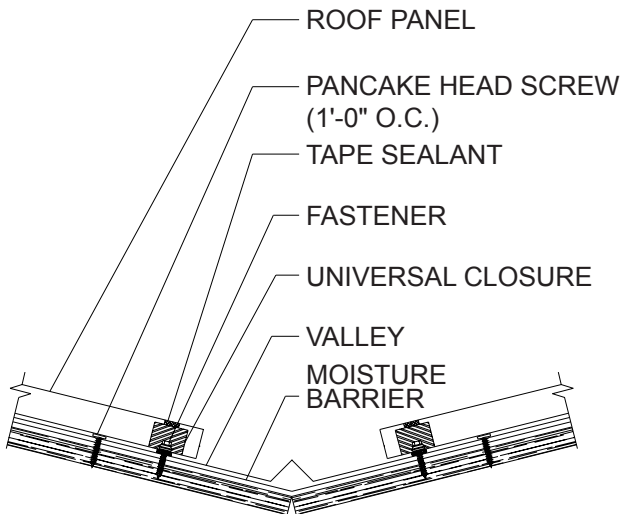
**EAVE DETAIL**



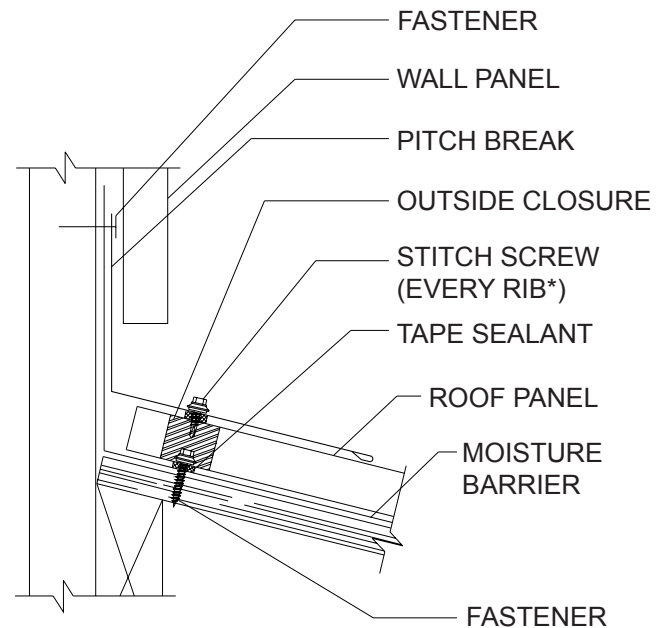
**GUTTER DETAIL**



**VALLEY DETAIL**

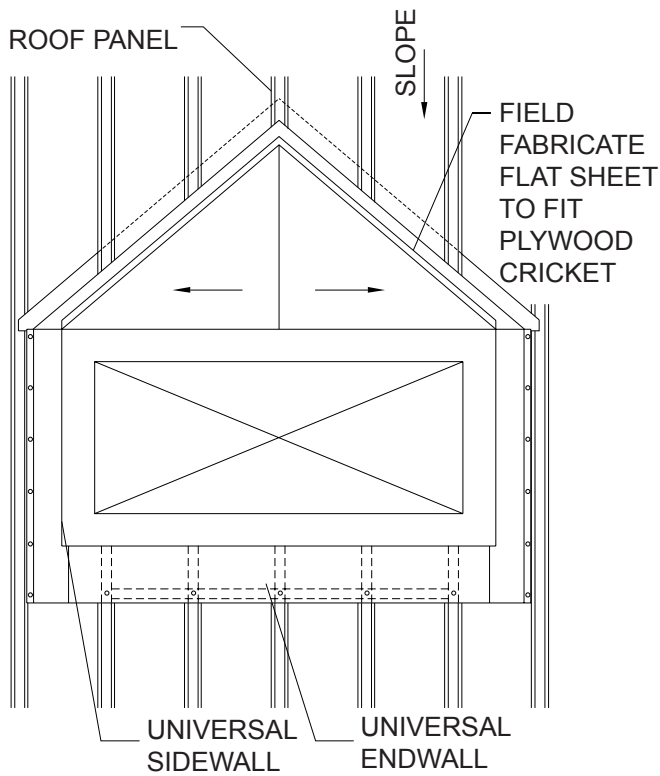
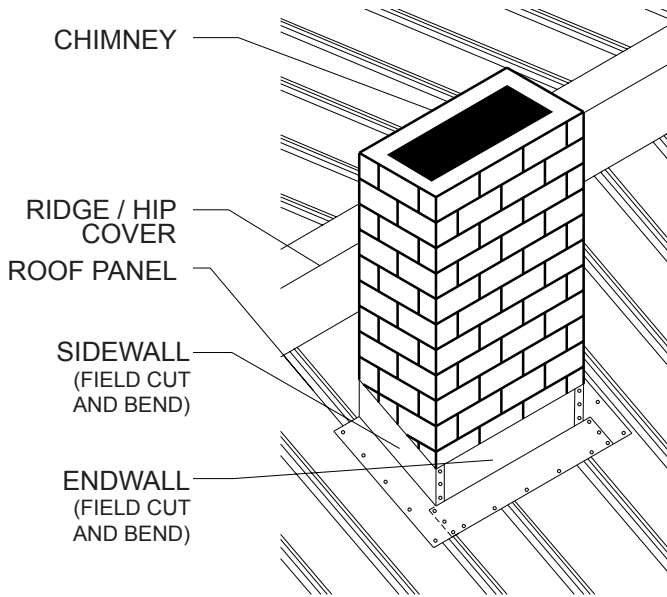


**PITCH BREAK DETAIL**

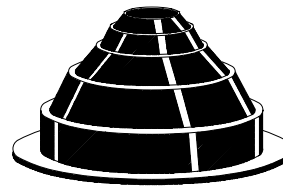
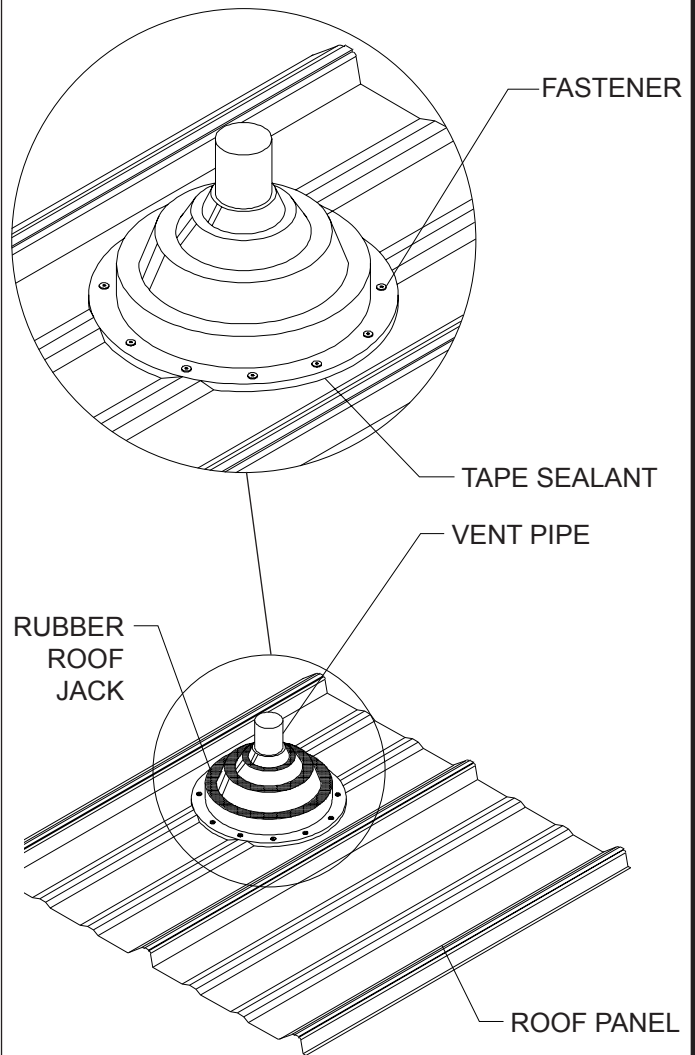


\* FASTENER SPACING TO BE 8" - 12" O.C.

**CHIMNEY / CRICKET DETAIL**



**ROOF PENETRATION DETAIL**



**AVAILABLE SIZES**

- MINI (1/4" TO 1 1/8" O.D. PIPE)
- #2 (1 3/4" TO 3" O.D. PIPE)
- #4 (3" TO 6" O.D. PIPE)
- #6 (6" TO 9" O.D. PIPE)
- #8 (7" TO 13" O.D. PIPE)

Though factory applied prepainted finishes are very durable and will last many years, eventually it may be desirable to thoroughly clean or repaint them.

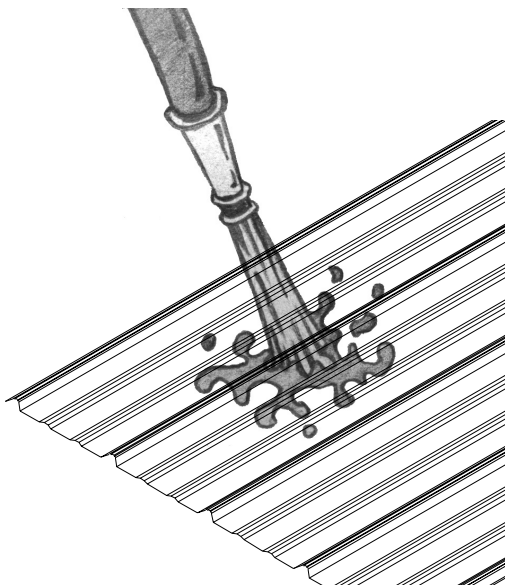
Dirt pickup may cause apparent discoloration of the paint when it has been exposed in some dirt-laden environments for long periods of time. In areas of strong sunlight, slight chalking may cause some change in appearance. A good cleaning will often restore the appearance of these buildings and render repainting unnecessary. An occasional light cleaning will help maintain a good appearance.

In many cases, simply washing the building with plain water using a hose or pressure sprayer will be adequate. In areas where heavy dirt deposits dull the surface, a cloth or soft bristle brush and solution of water and detergent ( $\frac{1}{3}$  cup of laundry detergent per gallon of water for example) may be used. This should be followed by an adequate rinse of water. Do not use wire brushes, abrasives or cleaning tools which will damage the coating surface.

Mildew may occur in areas subject to high humidity but is not normally a problem due to the high inherent mildew resistance of the baked finish that is used. To remove mildew along with the dirt, the following solution is recommended.

- $\frac{1}{3}$  cup detergent (Tide® or equivalent)
- $\frac{2}{3}$  cup trisodium phosphate (Solex® or equivalent)
- 1 quart of 5% sodium hypochlorite solution (Clorox® or equivalent)
- 3 quarts of water

Strong solvents and abrasive type cleaners should be avoided. Most organic solvents are flammable and toxic and must be handled accordingly. When using a solvent, consult maintenance professionals and label instructions for proper handling and disposal of washings. If required, a mild solvent such as mineral spirits can be used to remove caulking compounds, oil, grease, tars, wax, and similar substances. Use a cloth dampened with mineral spirits and apply only to areas which are contaminated. Follow up the use of this mild solvent with detergent cleaning and rinsing.



**HOSE OR PRESSURE SPRAY  
FOR ADEQUATE CLEANING**



**DO NOT USE A  
WIRE BRUSH**



**USE MILD DETERGENT AND WATER  
FOR HEAVY DIRT DEPOSITS**

Lined area for notes, consisting of 30 horizontal lines.

