

ARCHITECTURAL
COMMERCIAL
PANEL

EXPOSED
FASTENED

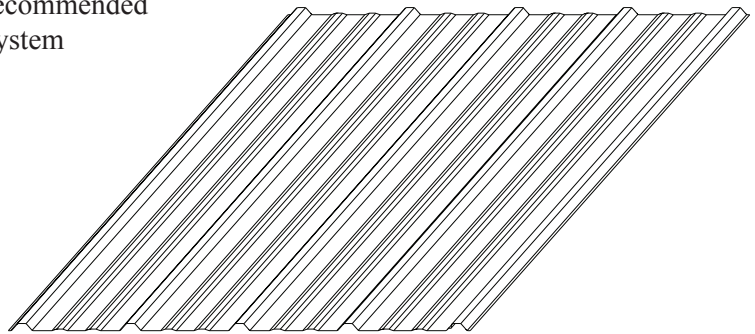
36"
COVERAGE

MINIMUM
SLOPE
3:12

OPEN FRAMING OR
SOLID SUBSTRATE

PANEL OVERVIEW

- ▶ Finishes: MS Colorfast45®, ColorFit40™, MS Crinkle Finish and Acrylic-Coated Galvalume®
- ▶ Corrosion Protection: AZ55 per ASTM A 792 for unpainted Galvalume®
AZ50 per ASTM A 792 for painted Galvalume®
G60, G90 or G100 per ASTM A 653 for Galvanized
- ▶ Gauges: 29 ga and 26 ga standard
- ▶ 36" panel coverage, 5/8" rib height
- ▶ Panel Length: Minimum: 5'; Maximum: 45' recommended
- ▶ Exposed fastened, low profile roof and wall system
- ▶ Trapezoidal rib on 9" centers
- ▶ Minimum roof slope: 3:12

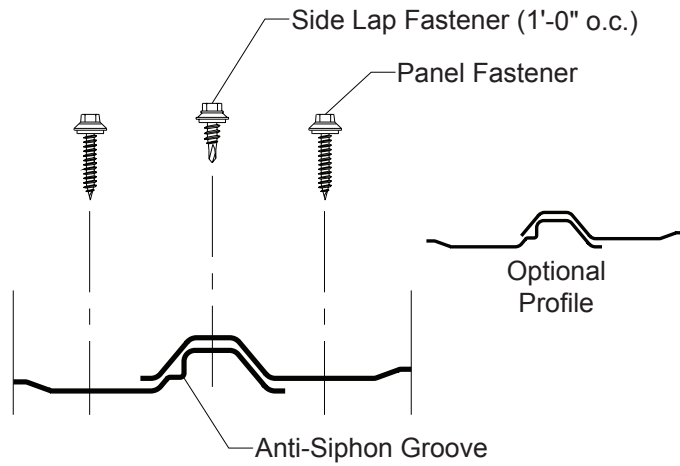


TESTING AND APPROVALS

- ▶ UL 2218 Impact Resistance - Class 4
- ▶ UL 790 Fire Resistance Rating - Class A, per building code
- ▶ UL 263 Fire Resistance Rating - per assembly
- ▶ ASTM E 283 Air Leakage - 0.0076 cfm/ft² at 6.24 psf *
- ▶ ASTM E 331 Water Penetration - none at 12 psf*
- ▶ ASTM E 330 Structural Performance
- ▶ ASTM E 455 Diaphragm Capacity
- ▶ 2020 FBC Approvals - FL14645.13

* uses tape sealant and stitch screws 1' on center in side lap

ATTACHMENT DETAIL



FASTENER INFORMATION

Overdriven fasteners will cause panel distortions.

Fasteners should extend 1/2" or more past the inside face of the support material.

Thick panels (ex. 18 ga) or supports (ex. 1/2" steel) may require predrilling of holes for screws.

Panel Fasteners:

Attaching to Wood:

#10-14 Wood Screw

#10-14 XL Wood Screw

Attaching to Steel:

#12-14 Self Drilling Screw

#12-14 XL Self Drilling Screw

Side Lap Fastener: Spaced 12" on center

1/4"-14 x 7/8" Stitch Screw

1/4"-14 x 7/8" XL Stitch Screw

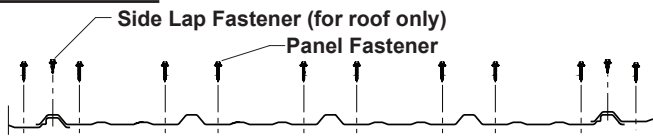
Trim Fastener:

1/4"-14 x 7/8" Stitch Screw

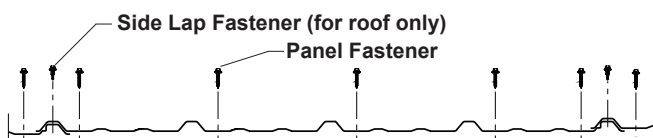
1/4"-14 x 7/8" XL Stitch Screw

FASTENING PATTERN

Ends of Panel



Field of Panel



SECTION PROPERTIES

ALLOWABLE UNIFORM LOADS, psf For various fastener spacings

Ga	Width in	Yield ksi	Weight psf	Top In Compression		Bottom In Compression		Inward Load						Outward Load					
				Ixx in ⁴ /ft	Sxx in ³ /ft	Ixx in ⁴ /ft	Sxx in ³ /ft	1.5'	2'	2.5'	3'	3.5'	4'	1.5'	2'	2.5'	3'	3.5'	4'
29	36	80	0.62	0.0060	0.0123	0.0043	0.0128	155	88	57	40	27	18	150	85	55	38	27	18
26	36	80	0.79	0.0083	0.0171	0.0057	0.0165	200	114	73	51	34	23	207	118	76	53	34	23

- Theoretical section properties have been calculated per AISI 2016 'North American Specification for the Design of Cold-Formed Steel Structural Members'. Ixx and Sxx are effective section properties for deflection and bending.
- Allowable load is calculated in accordance with AISI 2016 specifications considering bending, shear, combined bending & shear and deflection. Allowable load does not address web crippling, fasteners, support material or load testing. Allowable load considers the three or more equal spans condition. Panel weight is not considered.
- Deflection consideration is limited by a maximum deflection ratio of L/180 of span.
- Allowable loads do not include a 1/3 stress increase for wind.