

**EVALUATION REPORT OF
METAL SALES MANUFACTURING CORPORATION
'26 GA. R-PANEL OR PBR-PANEL'**

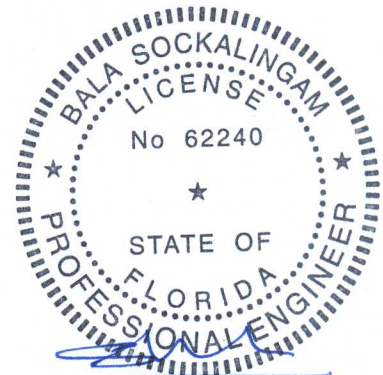
**FLORIDA BUILDING CODE 6TH EDITION (2017)
FLORIDA PRODUCT APPROVAL
FL 9482.4-R5
PANEL WALLS
SIDING**

**Prepared For:
Metal Sales Manufacturing Corporation
545 South 3rd Street, Suite 200
Louisville, KY 40202
Telephone: (502) 855-4300
Fax: (502) 855-4200**

**Prepared By:
Bala Sockalingam, Ph.D., P.E.
Florida Professional Engineer #62240
1216 N Lansing Ave., Suite C
Tulsa, OK 74106
Telephone: (918) 492-5992
FAX: (866) 366-1543**

**This report consists of
Evaluation Report (2 Pages including cover)
Installation Details (1 Page)
Load Span Table (1 Page)**

**Report No. C2179-4
Date: 8.23.2017**



8.23.2017

Manufacturer: Metal Sales Manufacturing Corporation

Product Name: R-Panel or PBR-Panel

Panel Description: 36" wide coverage with (4) 1.25" high ribs

Materials: Min. 26 ga., 80 ksi steel or min. 24 ga., 50 ksi steel. Galvanized coated steel (ASTM A653) or Galvalume coated steel (ASTM A792) or painted steel (ASTM A755)

Support Description: Min. 16 ga., min 50 ksi steel section. (Must be designed by others)

Design Pressure: ± 120 psf @ support spacing of 24" o.c. (5 span condition)
 ± 45 psf @ support spacing of 60" o.c. (2 span condition)

Panel Attachment:
At field: #12-14 x 1-1/4" long SDS with washer @ 12" o.c. across panel width
At panel ends: #12-14 x 1-1/4" long SDS with washer @ 7"-5"-7" o.c. across panel width

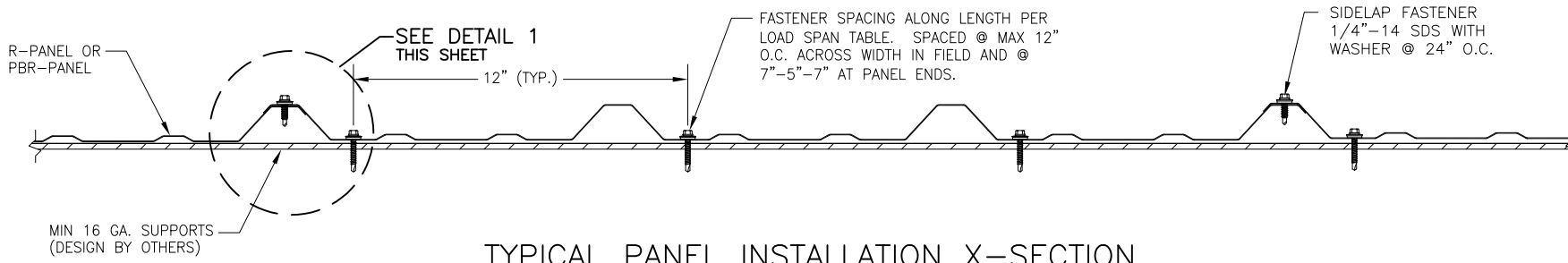
Sidelap Attachment: 1/4"-14 x 7/8" long SDS with washer @ 24" o.c

Test Standards: Wall assembly tested in accordance with ASTM E330-02 'Standard Test Method for Structural Performance of Exterior Windows, Doors, Skylights and Curtain Walls by Uniform Static Air Pressure Difference.'

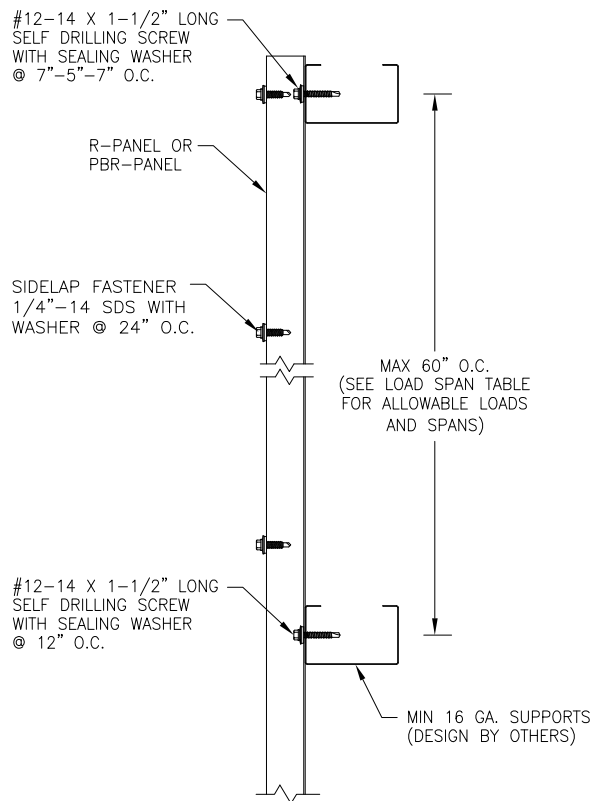
Code Compliance: The product described herein has demonstrated compliance with FBC 2017 Section 1404.5.

Product Limitations: Design wind loads shall be determined for each project in accordance with FBC 2017 Section 1609 or ASCE 7-10 using allowable stress design. The maximum support spacing listed herein shall not be exceeded. The design pressure for reduced support spacing may be computed using rational analysis prepared by a Florida Professional Engineer or based on Metal Sales' load span table. This evaluation report is not applicable in High Velocity Hurricane Zone.

Supporting Documents: ASTM E330 Test Reports
Farabaugh Engineering and Testing Inc.
Project No. T178-06, Reporting Date 6/29/06



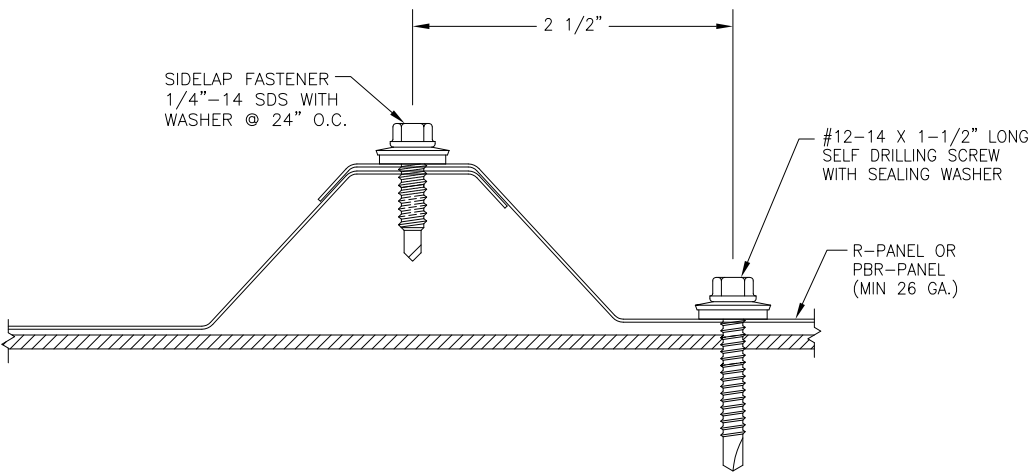
TYPICAL PANEL INSTALLATION X-SECTION



SECTION VIEW

GENERAL NOTES:

1. STRUCTURAL WALL PANEL HAS BEEN DESIGNED IN ACCORDANCE WITH THE FLORIDA BUILDING CODE (FBC).
2. WALL PANELS SHALL BE 26 GA. ($t = 0.0176$). EFFECTIVE COVERING WIDTH OF PANEL = 36".
3. THE WALL PANELS SHALL BE INSTALLED OVER STRUCTURE AS SPECIFIED ON THIS DRAWING.
4. REQUIRED DESIGN WIND LOADS SHALL BE DETERMINED FOR EACH PROJECT. THIS PANEL SYSTEM MAY NOT BE INSTALLED WHEN THE REQUIRED DESIGN WIND LOADS ARE GREATER THAN THE ALLOWABLE DESIGN LOADS.
5. ALL FASTENERS MUST BE IN ACCORDANCE WITH THIS DRAWING & THE FLORIDA BUILDING CODE. IF A DIFFERENCE OCCURS BETWEEN THE MINIMUM REQUIREMENTS OF THIS DRAWING & THE CODE, THE CODE SHALL CONTROL.
6. SUPPORTS MUST BE DESIGNED TO WITHSTAND WIND LOADS AS REQUIRED FOR EACH APPLICATION AND ARE THE RESPONSIBILITY OF OTHERS.



DETAIL 1

DRAWN BY: B.S.		CHECKED BY: D.S.	
PLOT:		DATE: 3/20/15	
NO.	REVISION DESCRIPTION	DATE	BY
DRAWING TITLE: R-PANEL OR PBR-PANEL			
CONSULTANTS: BALA SOCKALINGAM, P.H.D., P.E.		MANUFACTURER: METAL SALES MANUFACTURING CORP.	
1216 N LANSING AVE, SUITE C TULSA, OK 74106		545 SOUTH 3RD ST., SUITE 200 LOUISVILLE, KY 40202	
PHONE: 918-492-5992		FAX: 866-366-1543	
DRAWING NO. 2179-4		REV.	
PAGE NO. 1		OF 1	

METAL SALES CORPORATION

R-PANEL OR PBR-PANEL

36" wide, 26 ga. (min) Steel Panel

Span Condition	Loading Type	Allowable Load (psf)								
		Support Spacing (ft)								
		2.00	2.25	2.50	2.75	3.00	3.50	4.00	4.50	5.00
Two Span	Positive or Negative	112.5	100.0	90.0	81.8	75.0	64.3	56.3	50.0	45.0
Three Span	Positive or Negative	120.0	113.6	102.3	93.0	85.2	73.1	61.5	48.6	39.4
Four or More Spans	Positive or Negative	120.0	109.4	98.4	89.5	82.0	70.3	61.5	50.5	40.9

Notes:

1. Allowable load for each condition is the smallest load calculated based on fastener capacity, panel strength and deflection limit of $L/120$. Allowable loads are calculated for minimum 26 ga. panel.
2. The panel allowable properties are determined from full scale ASTM E330-02 test at 2' 0" & 5' 0" spans.
3. The panel fasteners are #12-14 x 1-1/2" long self drilling fastener with washer.
4. Steel supports are minimum 16 ga.. All supports must be designed to resist all loads imposed on the panel.
5. Panels must be installed as per Evaluation Report FL 9482.4 and Metal Sales current installation procedure.

