

The application and detail drawings in this manual are strictly for illustration purposes and may not be applicable to all building designs or product installations. All projects should conform to applicable building codes for that particular area. It is recommended to follow all building regulations and standard industry practices.

Metal Sales Manufacturing Corporation is not responsible for the performance of the wall system if it is not installed in accordance with the suggested instructions referenced in this manual. If there is a conflict between this manual and the actual erection drawings, the erection drawings are to take precedence.

Prior to ordering and installing materials, all dimensions should be verified by field measurements.

Metal Sales reserves the right to modify, without notice, any details, recommendations or suggestions. Any questions you may have regarding proper installation of these wall panel systems should be directed to your local Metal Sales representative (see pages 2 and 3).

Oil canning is not a cause for rejection. Oil canning can be described as the amount of waviness found in the flat areas of metal panels. Oil canning is an inherent characteristic of light gauge cold formed metal products, particularly those with broad flat areas. There are many factors which may contribute to oil canning that Metal Sales is not able to control. These factors include: misalignment of the support system, over driving of fasteners used on the panels, stress (whether inherent in the panel or induced), thermal expansion and contraction of the panel, improper material handling, width, gauge, length, color of panels and improper installation (reference Metal Construction Association "Oil Canning Position Paper"- Appendix A).

Consult your local Metal Sales Branch for any additional information not outlined in this manual.

This manual is designed to be utilized as a guide when installing a wall panel system. It is the responsibility of the erector to ensure the safe installation of this product system.

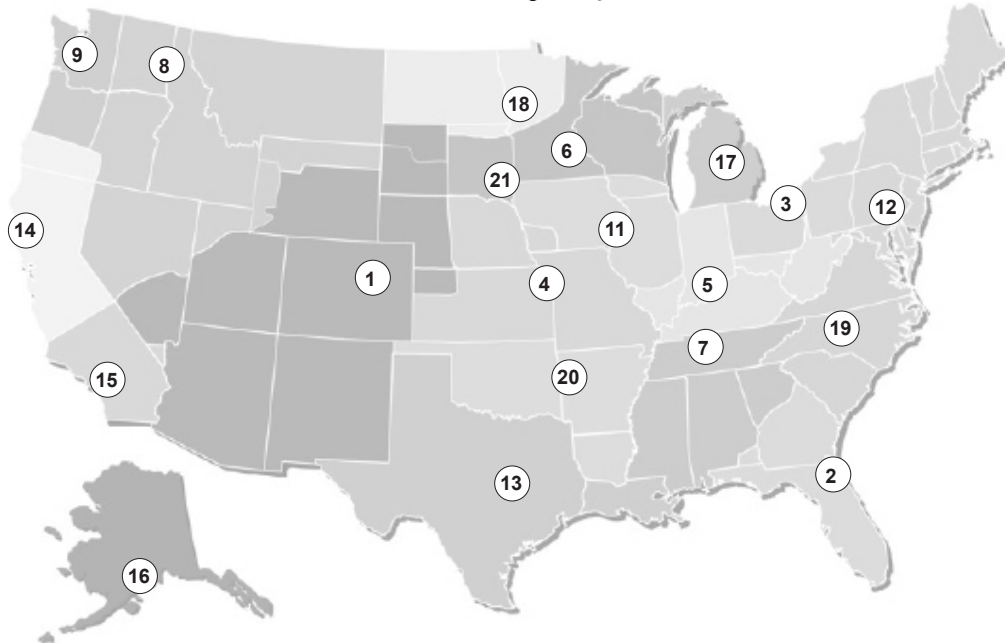
SAFETY

STUDY APPLICABLE OSHA AND OTHER SAFETY REQUIREMENTS BEFORE FOLLOWING THESE INSTRUCTIONS.

The installation of metal wall systems is a dangerous procedure and should be supervised by trained knowledgeable erectors. **USE EXTREME CARE WHILE INSTALLING WALL PANELS.** It is not possible for Metal Sales to be aware of all the possible job site situations that could cause an unsafe condition to exist. The erector of the wall system is responsible for reading these instructions and determining the safest way to install the wall system.

These instructions are provided only as a guide to show a knowledgeable, trained erector the correct relationship of parts to one another. If following any of the installation steps would endanger a worker, the erector should stop work and decide upon a corrective action.

Fall protection for workers installing wall panels must be provided.



NOTE: Shaded areas represent territories served by each location.

TABLE OF CONTENTS

Important Information 1
 Branch Map / Table of Contents 2
 Branch Locations 3
 General Instructions 4
 Panel Profiles 5, 6
 Flashing Profiles 7, 8
 Accessories 9
 Fasteners..... 10
 Design Information 11 - 18
DETAILS
 Base - H, V 19, 20
 Sill - H, V 21, 22
 Jamb - H, V 23, 24
 Head - H, V 25, 26
 Outside Corner - H, V 27, 28
 Inside Corner - H, V 29, 30
 Coping - H, V 31, 32
 Sill To Soffit - H, V 33, 34
 Vertical Transition - H 35
 Vertical Transition - H & V 36
 Horizontal Transition - V over H 37
 Horizontal Transition - H over V 38
 Horizontal Transition - V 39
 Care and Maintenance 40
 Notes 41

'H' indicates horizontal panels, 'V' indicates vertical panels



1. DENVER

7990 East I-25 Frontage Road
 Longmont, CO 80504
 303.702.5440
 800.289.7663
 800.289.1617 Fax

2. JACKSONVILLE

7110 Stuart Avenue
 Jacksonville, FL 32254
 904.783.3660
 800.394.4419
 904.783.9175 Fax
 800.413.3292 Fax

3. JEFFERSON

352 East Erie Street
 Jefferson, OH 44047
 440.576.9070
 800.321.5833
 440.576.9242 Fax
 800.233.5719 Fax

4. INDEPENDENCE

1306 South Powell Road
 Independence, MO 64057
 816.796.0900
 800.747.0012
 816.796.0906 Fax

5. SELLERSBURG

7800 State Road 60
 Sellersburg, IN 47172
 812.246.1866
 800.999.7777
 812.246.0893 Fax
 800.477.9318 Fax

6. ROGERS

22651 Industrial Boulevard
 Rogers, MN 55374
 763.428.8080
 800.328.9316
 763.428.8525 Fax
 800.938.9119 Fax

7. NASHVILLE

4314 Hurricane Creek Boulevard
 Antioch, TN 37013
 615.641.7100
 800.251.8508
 615.641.7118 Fax
 800.419.4372 Fax

8. SPOKANE

2727 East Trent Avenue
 Spokane, WA 99202
 509.536.6000
 800.572.6565
 509.534.4427 Fax

9. SEATTLE

20213 84th Avenue, South
 Kent, WA 98032
 253.872.5750
 800.431.3470 (Outside WA)
 800.742.7900 (Inside WA)
 253.872.2008 Fax

11. ROCK ISLAND

8111 West 29th Street
 Rock Island, IL 61201
 309.787.1200
 800.747.1206
 309.787.1833 Fax

12. DEER LAKE

29 Pinedale Industrial Road
 Orwigsburg, PA 17961
 570.366.2020
 800.544.2577
 570.366.1648 Fax
 800.544.2574 Fax

13. TEMPLE

3838 North General Bruce Drive
 Temple, TX 76501
 254.791.6650
 800.543.4415
 254.791.6655 Fax
 800.543.4473 Fax

14. WOODLAND

1326 Paddock Place
 Woodland, CA 95776
 530.668.5690
 800.759.6019
 530.668.0901 Fax

15. FONTANA

14213 Whittram Avenue
 Fontana, CA 92335
 909.829.8618
 800.782.7953
 909.829.9083 Fax

16. ANCHORAGE

4637 Old Seward Highway
 Anchorage, AK 99503
 907.646.7663
 866.640.7663
 907.646.7664 Fax

17. BAY CITY

5209 Mackinaw Road
 Bay City, MI 48706
 989.686.5879
 888.777.7640
 989.686.5870 Fax
 888.777.0112 Fax

18. DETROIT LAKES

1435 Egret Avenue
 Detroit Lakes, MN 56501
 218.847.2988
 888.594.1394
 218.847.4835 Fax
 888.594.1454 Fax

19. MOCKSVILLE

188 Quality Drive
 Mocksville, NC 27028
 336.751.6381
 800.228.6119
 336.751.6301 Fax
 800.228.7916 Fax

20. FORT SMITH

7510 Ball Road
 Fort Smith, AR 72908
 479.646.1176
 877.452.3915
 479.646.5204 Fax

21. SIOUX FALLS

2700 West 3rd Street, Suite 4
 Sioux Falls, SD 57104
 605.335.2745
 888.299.0024

TECHNICAL SUPPORT

TECHNICAL SERVICES

7800 Indiana 60
 Sellersburg, IN 47172
 502.855.4300
 800.406.7387
 800.944.6884 Fax

Safety

Use proper safety gear, safe equipment and safe processes. Safety gear includes, but is not limited to: gloves, arm guards, safety goggles and fall protection. Safe equipment includes maintained screw gun, saw, snips and folder. Safe processes include being aware of dangers and taking appropriate measures to avoid them.

Material Availability

Not all panel and trim thicknesses and lengths are available at all branches. Custom colors and non-stocked thickness materials are secured per project and require minimum order quantities.

Material Receipt

Upon receipt of material, confirm all parts have been delivered and that there is no damage. Any shortages should be reported to the Metal Sales contact. Transit damage should be noted on the bill of lading.

Material Storage

Material not used right away, should be stored inside, out of the elements. If inside storage is not available, tarp the material such that air can circulate. Elevate the crates off the ground and slope so that water will run off.

Handling

Transport panels in the crates to the installation site. Adequate support for individual panels every 6' to 8' is necessary. Grasp a panel by one side and let the other side hang down.

Wall Condition

Before installing panels, ensure the wall support material is plumb, square and true. Variance from in-plane must not exceed 1/4" in 10'.

Wall Assembly

Cover building envelope sheathing with a moisture barrier, such as peel-and-stick underlayment or synthetic building wrap for resistance to air and water penetration through the wall assembly. Install the moisture barrier horizontally from the bottom upward, overlapping each run over the previous, lower run.

Plan the Work

Before installing panels on a wall section, plan for alignment with adjacent wall sections. Decide if the first panel will be a full or partial panel. Consider the locations of wall penetrations, openings and the edges of the wall plane.

Fasteners

Do not over-tighten the fasteners. The fasteners should be brought just to firm contact between the support material, panel and trim. Over-tightening the fasteners can deform panels and trim. Fastening patterns are shown per panel on pages 12 through 18.

The fastener spacing must be determined based on a load analysis to ensure adequate attachment.

Installation Practice

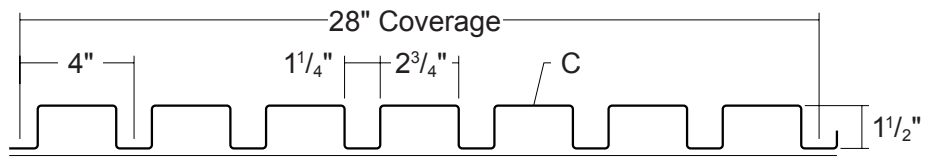
For horizontal panels, start at the bottom of the wall and work up the wall toward the top. Always 'shingle' panels and trims so that water will run down off of one member on to the next. Ensure every surface has adequate slope to permit water to run off and not collect on any surface. Vertical panels may be installed right-to-left or left-to-right.

When installing panels, give effort to stay on module by checking the coverage of each panel.

Strippable Film

Panels and trim are typically provided with strippable film as protection against minor fabrication, transit and handling damage. The strippable film must be removed just before installation. Waiting until after panel installation to remove the strippable film or after significant exposure to sunlight or heat can make removal very difficult.

T10-A



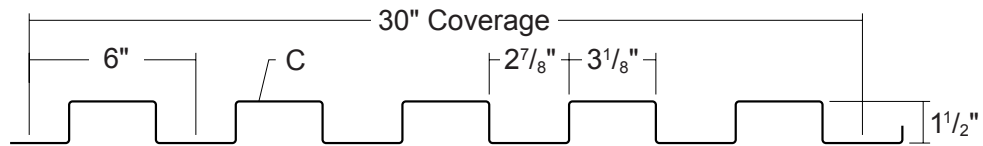
Panels can be produced in lengths from 5' to 30'.

Sellersburg

Seattle Prod. No.	Fontana Prod. No.	Coverage	Description	Thick	Finish
22F30S41	22F3041	28"	7 ribs	24 ga	Galvalume® (ACG)
22F30SXX	22F30XX	28"	7 ribs	24 ga	PVDF
23F30SXX	23F30XX	28"	7 ribs	22 ga	PVDF
24F30SXX	24F30XX	28"	7 ribs	20 ga	PVDF
NA	25F30XX	28"	7 ribs	18 ga	PVDF
22F30SXXA	22F30XXA	28"	7 ribs	0.032"	PVDF Aluminum
23F30SXXA	23F30XXA	28"	7 ribs	0.040"	PVDF Aluminum

Fontana Product Nos. above are for panels produced on Fontana's Big Break. For panels produced in Sellersburg or Seattle, an 'S' has been added between the 'F30' and the color code.

T10-B



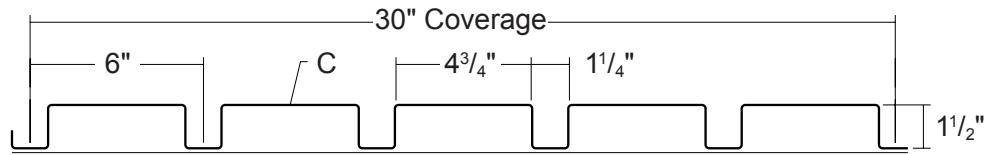
Panels can be produced in lengths from 5' to 30'.

Sellersburg

Seattle Prod. No.	Fontana Prod. No.	Coverage	Description	Thick	Finish
22F31S41	22F3141	30"	5 ribs	24 ga	Galvalume® (ACG)
22F31SXX	22F31XX	30"	5 ribs	24 ga	PVDF
23F31SXX	23F31XX	30"	5 ribs	22 ga	PVDF
24F31SXX	24F31XX	30"	5 ribs	20 ga	PVDF
NA	25F31XX	30"	5 ribs	18 ga	PVDF
22F31SXXA	22F31XXA	30"	5 ribs	0.032"	PVDF Aluminum
23F31SXXA	23F31XXA	30"	5 ribs	0.040"	PVDF Aluminum

Fontana Product Nos. above are for panels produced on Fontana's Big Break. For panels produced in Sellersburg or Seattle, an 'S' has been added between the 'F31' and the color code.

T10-C

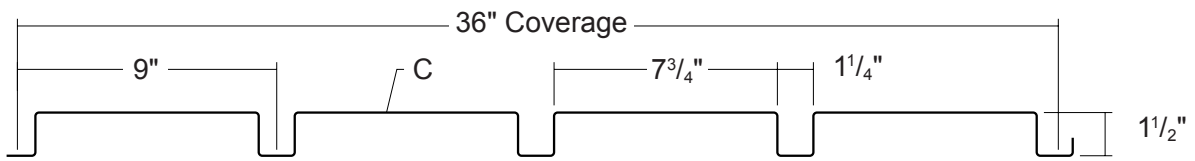


Panels can be produced in lengths from 5' to 30'.

Sellersburg					
Seattle	Fontana				
Prod. No.	Prod. No.	Coverage	Description	Thick	Finish
22F32S41	22F3241	30"	5 ribs	24 ga	Galvalume® (ACG)
22F32SXX	22F32XX	30"	5 ribs	24 ga	PVDF
23F32SXX	23F32XX	30"	5 ribs	22 ga	PVDF
24F32SXX	24F32XX	30"	5 ribs	20 ga	PVDF
NA	25F32XX	30"	5 ribs	18 ga	PVDF
22F32SXXA	22F32XXA	30"	5 ribs	0.032"	PVDF Aluminum
23F32SXXA	23F32XXA	30"	5 ribs	0.040"	PVDF Aluminum

Fontana Product Nos. above are for panels produced on Fontana's Big Break. For panels produced in Sellersburg or Seattle, an 'S' has been added between the 'F32' and the color code.

T10-D

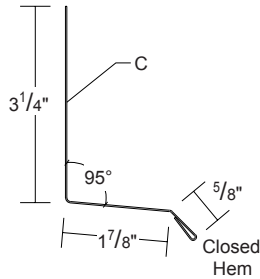


Panels can be produced in lengths from 5' to 30'.

Sellersburg					
Seattle	Fontana				
Prod. No.	Prod. No.	Coverage	Description	Thick	Finish
22F33S41	22F3341	36"	4 ribs	24 ga	Galvalume® (ACG)
22F33SXX	22F33XX	36"	4 ribs	24 ga	PVDF
23F33SXX	23F33XX	36"	4 ribs	22 ga	PVDF
24F33SXX	24F33XX	36"	4 ribs	20 ga	PVDF
NA	25F33XX	36"	4 ribs	18 ga	PVDF
22F33SXXA	22F33XXA	36"	4 ribs	0.032"	PVDF Aluminum
23F33SXXA	23F33XXA	36"	4 ribs	0.040"	PVDF Aluminum

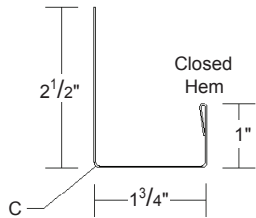
Fontana Product Nos. above are for panels produced on Fontana's Big Break. For panels produced in Sellersburg or Seattle, an 'S' has been added between the 'F33' and the color code.

BASE TRIM



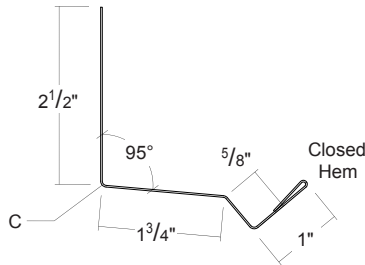
Product No.	Length	Thick	Finish
5870841	10'-2"	24 ga	Galvalume® (ACG)
58708XX	10'-2"	24 ga	PVDF
60708XX	10'-2"	22 ga	PVDF
58708XXA	10'-2"	0.032"	PVDF Aluminum

JAMB TRIM



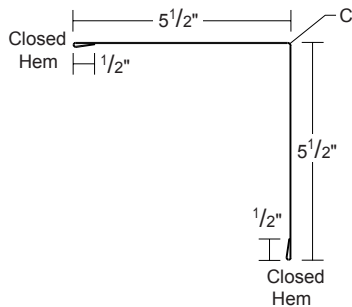
Product No.	Length	Thick	Finish
5867141	10'-2"	24 ga	Galvalume® (ACG)
58671XX	10'-2"	24 ga	PVDF
60761XX	10'-2"	22 ga	PVDF
58671XXA	10'-2"	0.032"	PVDF Aluminum

HEAD TRIM



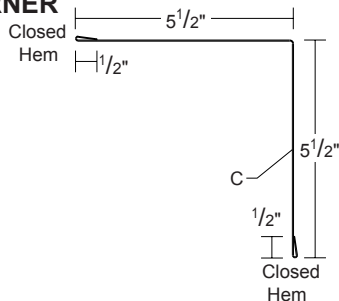
Product No.	Length	Thick	Finish
5862141	10'-2"	24 ga	Galvalume® (ACG)
58621XX	10'-2"	24 ga	PVDF
60621XX	10'-2"	22 ga	PVDF
58621XXA	10'-2"	0.032"	PVDF Aluminum

OUTSIDE CORNER



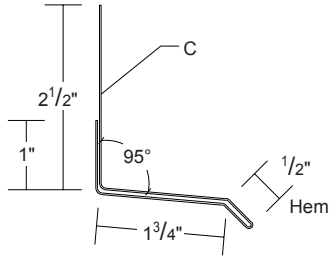
Product No.	Length	Thick	Finish
5813241	10'-2"	24 ga	Galvalume® (ACG)
58132XX	10'-2"	24 ga	PVDF
59132XX	10'-2"	22 ga	PVDF
58132XXA	10'-2"	0.032"	PVDF Aluminum

INSIDE CORNER



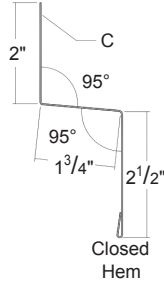
Product No.	Length	Thick	Finish
5812641	10'-2"	24 ga	Galvalume® (ACG)
58126XX	10'-2"	24 ga	PVDF
59126XX	10'-2"	22 ga	PVDF
58126XXA	10'-2"	0.032"	PVDF Aluminum

SILL / HEAD TRIM



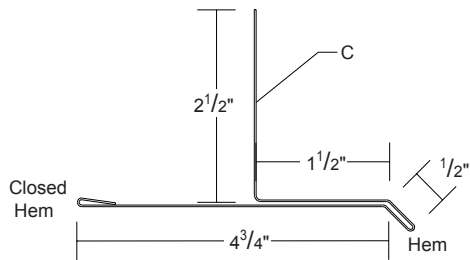
Product No.	Length	Thick	Finish
5860741	10'-2"	24 ga	Galvalume® (ACG)
58607XX	10'-2"	24 ga	PVDF
60607XX	10'-2"	22 ga	PVDF
58607XXA	10'-2"	0.032"	PVDF Aluminum

TRANSITION TRIM



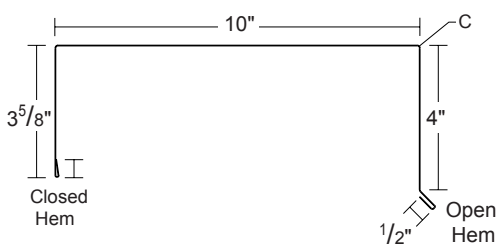
Product No.	Length	Thick	Finish
5873841	10'-2"	24 ga	Galvalume® (ACG)
58738XX	10'-2"	24 ga	PVDF
60738XX	10'-2"	22 ga	PVDF
58738XXA	10'-2"	0.032"	PVDF Aluminum

SILL-TO-SOFFIT TRIM



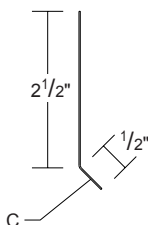
Product No.	Length	Thick	Finish
5811841	10'-2"	24 ga	Galvalume® (ACG)
58118XX	10'-2"	24 ga	PVDF
60118XX	10'-2"	22 ga	PVDF
58118XXA	10'-2"	0.032"	PVDF Aluminum

COPING



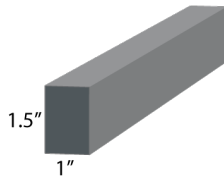
Product No.	Length	Thick	Finish
5802641	10'-2"	24 ga	Galvalume® (ACG)
58026XX	10'-2"	24 ga	PVDF
60026XX	10'-2"	22 ga	PVDF
58026XXA	10'-2"	0.032"	PVDF Aluminum

CLEAT



Product No.	Length	Thick	Finish
5806099	10'-2"	24 ga	Various
58060XX	10'-2"	24 ga	PVDF
59060XX	10'-2"	22 ga	PVDF
61060XX	10'-2"	20 ga	PVDF
58060XXA	10'-2"	0.032"	PVDF Aluminum

UNIVERSAL CLOSURE



Product No.	Description	WT/Ea	Type
6411100	1" x 1 1/2" x 50'	4.00 lbs	Foam
6411199	1" x 1 1/2" x 10'	0.80 lbs	Foam

SINGLE BEAD TAPE SEALANT



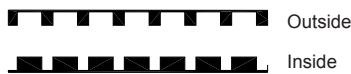
Product No.	Description	WT/Ctn.	Type
6404099	3/8" x 3/32" x 50' 48 Rolls per Carton	14 lbs	Butyl

TUBE SEALANT



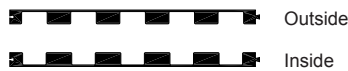
Product No.	Description	WT/Ea	Color
641111	Titebond Sealant	3.31 lbs	Color Match

T10-A CLOSURES



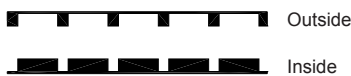
Product No.	Description	QTY/BOX	Material
6500056	1" x 2" x 28" Outside	50	Foam
6500055	1" x 2" x 28" Inside	50	Foam
6500170	1" x 2" x 28" Pair	50	Foam

T10-B CLOSURES



Product No.	Description	QTY/BOX	Material
6500157	1" x 2" x 30" Outside	50	Foam
6500158	1" x 2" x 30" Inside	50	Foam
6500057	1" x 2" x 30" Pair	50	Foam

T10-C CLOSURES



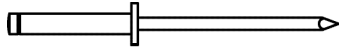
Product No.	Description	QTY/BOX	Material
6500068	1" x 2" x 30" Outside	50	Foam
6500065	1" x 2" x 30" Inside	50	Foam
6500058	1" x 2" x 30" Pair	50	Foam

T10-D CLOSURES



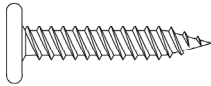
Product No.	Description	QTY/BOX	Material
6500159	1" x 2" x 36" Outside	50	Foam
6500160	1" x 2" x 36" Inside	50	Foam
6500059	1" x 2" x 36" Pair	50	Foam

POP RIVETS



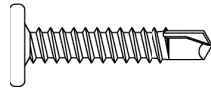
Product No.	Description	WT/250	Finish
8240201	1/8" x 3/8" Pop Rivet	0.8 lbs	Bare
82402XX	1/8" x 3/8" Pop Rivet	0.8 lbs	Painted
8240901	1/8" x 3/16" Pop Rivet	0.8 lbs	Bare
82409XX	1/8" x 3/16" Pop Rivet	0.8 lbs	Painted

PANCAKE HEAD WOOD SCREW



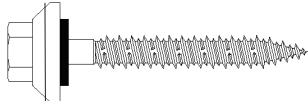
Product No.	Description	WT/250	Finish
8243100	#10-12 x 1" Pancake Head Wood Screw	1.9 lbs	Plated

PANCAKE HEAD DRILLER



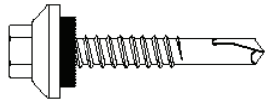
Product No.	Description	WT/250	Finish
8242100	#10-16 x 1" Pancake Head Driller	1.9 lbs	Plated

WOOD SCREW XL



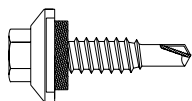
Product No.	Description	WT/250	Finish
8212300	#10-14 x 1 1/2" Wood Screw XL	4.0 lbs	Plated
82123XX	#10-14 x 1 1/2" Wood Screw XL	4.0 lbs	Painted

SELF DRILLER XL



Product No.	Description	WT/250	Finish
8235300	#12-14 x 1 1/4" Self Driller XL	6.0 lbs	Plated
82353XX	#12-14 x 1 1/4" Self Driller XL	6.0 lbs	Painted

STITCH SCREW XL



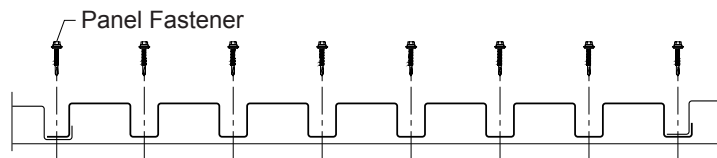
Product No.	Description	WT/250	Finish
8236800	1/4"-14 x 7/8" Stitch Screw XL	5.3 lbs	Plated
82368XX	1/4"-14 x 7/8" Stitch Screw XL	5.3 lbs	Painted

T10-A

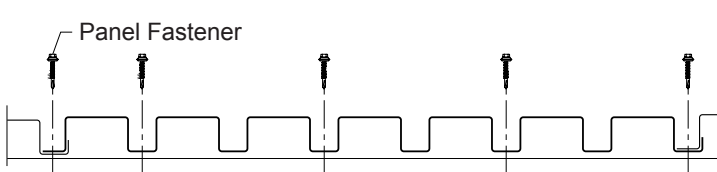
ESR-4633 covers the use of this profile.

FASTENING PATTERNS

Ends of Panel



Field of Panel



FASTENING INFORMATION

Overdriven fasteners will cause panel distortion.

Panel fasteners should extend 1/2" or more past the inside face of the support material.

Thick panels or supports (ex. 1/2" steel) may require pre-drilling of holes for screws.

Panel Fastener:

Attaching to Wood:

#10-14 Wood Screw XL

Attaching to Steel:

#12-14 Driller XL

Trim Fastener:

1/8" x 3/16" Pop Rivet

1/4"-14 x 7/8" Stitch Screw XL

STEEL SECTION PROPERTIES

ALLOWABLE UNIFORM LOADS, psf for various fastener spacings

Ga	Width in	Yield ksi	Weight psf	Top in Compression		Bottom in Compression		Inward Load						Outward Load					
				I _{xx} in ⁴ /ft	S _{xx} in ³ /ft	I _{xx} in ⁴ /ft	S _{xx} in ³ /ft	5'	6'	7'	8'	10'	12'	5'	6'	7'	8'	10'	12'
24	28	50	1.58	0.1230	0.1574	0.1547	0.1665	154	107	79	56	28	16	146	101	75	56	28	16
22	28	50	2.07	0.1727	0.2275	0.2121	0.2344	215	151	107	72	37	21	208	146	107	72	37	21
20	28	33	2.52	0.2400	0.2887	0.2614	0.2932	178	124	92	70	44	26	176	122	90	69	44	26
18	28	33	3.30	0.3386	0.3827	0.3386	0.3814	229	162	119	91	57	33	230	162	120	92	57	33

- Theoretical section properties have been calculated per AISI 2016 'North American Specification for the Design of Cold-Formed Steel Structural Members'. I_{xx} and S_{xx} are effective section properties for deflection and bending.
- Allowable load is calculated in accordance with AISI 2016 specifications considering bending, shear, combined bending & shear and deflection. Allowable load does not consider other support conditions such as, web crippling, fasteners, support material or load testing. Panel weight is not considered.
- Allowable load considers the 3 or more equal span condition.
- Deflection consideration is limited by a maximum deflection ratio of L/180 of span.
- Allowable loads do not include a 1/3 stress increase for wind.

ALUMINUM SECTION PROPERTIES

ALLOWABLE UNIFORM LOADS, psf for various fastener spacings

Thick in	Width in	Yield ksi	Weight psf	I in ⁴ /ft	S _{Top} in ³ /ft	S _{Bottom} in ³ /ft	Z in ³ /ft	Inward Load						Outward Load					
								3'	4'	5'	6'	7'	8'	3'	4'	5'	6'	7'	8'
0.032	28	17	0.75	0.2357	0.3883	0.2653	0.357	225	134	89	63	40	26	225	134	89	63	40	26
0.040	28	17	0.94	0.2914	0.4770	0.3257	0.440	277	166	110	77	49	33	277	166	110	77	49	33
0.050	28	17	1.16	0.3557	0.5833	0.3981	0.542	341	204	135	95	60	40	341	204	135	95	60	40

- Theoretical section properties have been calculated per 2015 Aluminum Design Manual. I, S and Z are section properties for deflection and bending.
- Allowable load is calculated in accordance with 2015 Aluminum Design Manual specifications considering bending, shear, combined bending & shear and deflection. Allowable load does not consider load testing or support conditions such as web crippling, fasteners or support material.
- Allowable load considers the three or more equal span case.
- Deflection consideration is limited by a maximum deflection ratio of L/180 of span.
- Allowable loads do not include a 1/3 stress increase in uplift.

T10-A on 16 ga Girts

Wall Fastener Spacing (feet)

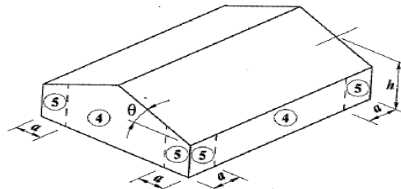
Wind Speed (mph) Exposure Category	20 ft, Mean Roof Height			40 ft, Mean Roof Height			60 ft, Mean Roof Height		
	Thickness	Field	Edge	Thickness	Field	Edge	Thickness	Field	Edge
110C	24 ga	11.50	10.50	24 ga	11.00	10.00	24 ga	10.50	9.50
	22 ga	12.50	11.50	22 ga	11.50	11.00	22 ga	11.50	10.50
	20 ga	13.00	12.50	20 ga	12.50	11.50	20 ga	12.00	11.50
	0.032"	6.00	4.50	0.032"	5.00	4.00	0.032"	5.00	3.50
120C	24 ga	10.50	10.00	24 ga	10.00	9.50	24 ga	10.00	9.00
	22 ga	11.50	11.00	22 ga	11.00	10.50	22 ga	11.00	10.00
	20 ga	12.50	11.50	20 ga	12.00	11.00	20 ga	11.50	10.50
	0.032"	5.00	4.00	0.032"	4.00	3.50	0.032"	4.00	3.00
130C	24 ga	10.00	9.50	24 ga	9.50	9.00	24 ga	9.50	8.50
	22 ga	11.00	10.50	22 ga	10.50	10.00	22 ga	10.00	9.00
	20 ga	12.00	11.00	20 ga	11.00	10.00	20 ga	11.00	9.00
	0.032"	4.00	3.50	0.032"	3.50	3.00	0.032"	3.00	2.50
140C	24 ga	9.50	9.00	24 ga	9.00	8.50	24 ga	9.00	8.00
	22 ga	10.50	9.50	22 ga	10.00	8.50	22 ga	9.50	8.00
	20 ga	11.00	10.00	20 ga	10.50	8.50	20 ga	9.50	8.00
	0.032"	3.50	3.00	0.032"	3.00	2.50	0.032"	2.50	2.00
150C	24 ga	9.00	8.50	24 ga	8.50	7.50	24 ga	8.50	7.00
	22 ga	10.00	8.50	22 ga	9.00	7.50	22 ga	8.50	7.00
	20 ga	10.50	8.50	20 ga	9.00	7.50	20 ga	8.50	7.00
	0.032"	3.00	2.50	0.032"	2.50	2.00	0.032"	2.50	2.00
160C	24 ga	9.00	7.50	24 ga	8.00	6.50	24 ga	7.50	6.00
	22 ga	9.50	7.50	22 ga	8.00	6.50	22 ga	7.50	6.00
	20 ga	9.50	7.50	20 ga	8.00	6.50	20 ga	7.50	6.00
	0.032"	2.50	2.00	0.032"	2.00	2.00	0.032"	2.00	1.50
170C	24 ga	8.50	6.50	24 ga	7.00	5.50	24 ga	6.50	5.00
	22 ga	8.50	6.50	22 ga	7.00	5.50	22 ga	6.50	5.00
	20 ga	8.50	6.50	20 ga	7.00	5.50	20 ga	6.50	5.00
	0.032"	2.50	2.00	0.032"	2.00	1.50	0.032"	2.00	1.50
180C	24 ga	7.50	6.00	24 ga	6.50	5.00	24 ga	6.00	4.50
	22 ga	7.50	6.00	22 ga	6.50	5.00	22 ga	6.00	4.50
	20 ga	7.50	6.00	20 ga	6.50	5.00	20 ga	6.00	4.50
	0.032"	2.00	1.50	0.032"	1.50	1.50	0.032"	1.50	1.00

Notes:

- Allowable spacing is based on capacities determined in AISI 2016, North American Specification for the Design of Cold-Structural Members and ADM 2015, Aluminum Design Manual.
- Allowable spacing is based on an applied load determined using ASCE 7-16 for the wind speeds and Wind Exposures tabulated. Assumptions include a tributary area of 10 square feet, an Enclosed building, a Topographic Factor of 1.0 and panel bearing length of 2.5 inches.
- Allowable spacing is determined using IBC 2018 combinations. For wind suction and pressure, the combination is 0.6W.
- Testing is not included in determining the suction capacity.

- (4) - FIELD
- (5) - EDGE

a - LEAST OF 10% MINIMUM BUILDING WIDTH OR 40% OF MEAN ROOF HEIGHT BUT NOT LESS THAN 3'.

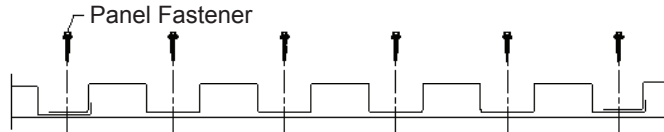


T10-B

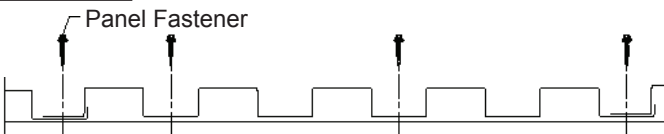
ESR-4633 covers the use of this profile.

FASTENING PATTERNS

Ends of Panel



Field of Panel



FASTENING INFORMATION

Overdriven fasteners will cause panel distortion.

Panel fasteners should extend 1/2" or more past the inside face of the support material.

Thick panels or supports (ex. 1/2" steel) may require pre-drilling of holes for screws.

Panel Fastener:

Attaching to Wood:

#10-14 Wood Screw XL

Attaching to Steel:

#12-14 Driller XL

Trim Fastener:

1/8" x 3/16" Pop Rivet

1/4"-14 x 7/8" Stitch Screw XL

STEEL SECTION PROPERTIES

ALLOWABLE UNIFORM LOADS, psf for various fastener spacings

Ga	Width in	Yield ksi	Weight psf	Top in Compression		Bottom in Compression		Inward Load						Outward Load					
				I _{xx} in ⁴ /ft	S _{xx} in ³ /ft	I _{xx} in ⁴ /ft	S _{xx} in ³ /ft	5'	6'	7'	8'	10'	12'	5'	6'	7'	8'	10'	12'
24	30	50	1.40	0.1140	0.1182	0.1164	0.1253	115	81	59	45	29	17	109	76	56	43	28	17
22	30	50	1.84	0.1616	0.1741	0.1648	0.1845	169	118	87	67	38	22	160	112	82	63	38	22
20	30	33	2.24	0.2240	0.2582	0.2280	0.2716	163	114	84	65	42	27	155	109	80	62	40	27
18	30	33	2.95	0.3200	0.3864	0.3200	0.4004	238	167	124	95	60	34	230	162	120	92	59	34

- Theoretical section properties have been calculated per AISI 2016 'North American Specification for the Design of Cold-Formed Steel Structural Members'. I_{xx} and S_{xx} are effective section properties for deflection and bending.
- Allowable load is calculated in accordance with AISI 2016 specifications considering bending, shear, combined bending & shear and deflection. Allowable load does not consider other support conditions such as, web crippling, fasteners, support material or load testing. Panel weight is not considered.
- Allowable load considers the 3 or more equal span condition.
- Deflection consideration is limited by a maximum deflection ratio of L/180 of span.
- Allowable loads do not include a 1/3 stress increase for wind.

ALUMINUM SECTION PROPERTIES

ALLOWABLE UNIFORM LOADS, psf for various fastener spacings

Thick in	Width in	Yield ksi	Weight psf	I in ⁴ /ft	S _{Top} in ³ /ft	S _{Bottom} in ³ /ft	Z in ³ /ft	Inward Load						Outward Load					
								3'	4'	5'	6'	7'	8'	3'	4'	5'	6'	7'	8'
0.032	30	17	0.67	0.2440	0.3192	0.3352	0.358	221	133	88	63	47	36	221	133	88	63	47	36
0.040	30	17	0.84	0.3000	0.3928	0.4128	0.443	274	165	109	77	58	42	274	165	109	77	58	42
0.050	30	17	1.04	0.3720	0.4820	0.5060	0.547	337	203	135	96	70	47	337	203	135	96	70	47

- Theoretical section properties have been calculated per 2015 Aluminum Design Manual. I, S and Z are section properties for deflection and bending.
- Allowable load is calculated in accordance with 2015 Aluminum Design Manual specifications considering bending, shear, combined bending & shear and deflection. Allowable load does not consider load testing or support conditions such as web crippling, fasteners or support material.
- Allowable load considers the three or more equal span case.
- Deflection consideration is limited by a maximum deflection ratio of L/180 of span.
- Allowable loads do not include a 1/3 stress increase in uplift.

T10-B on 16 ga Girts

Wall Fastener Spacing (feet)

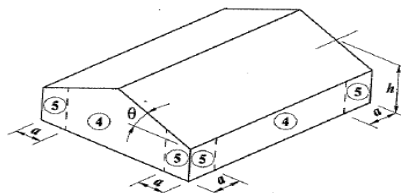
Wind Speed (mph) Exposure Category	20 ft. Mean Roof Height			40 ft. Mean Roof Height			60 ft. Mean Roof Height		
	Thickness	Field	Edge	Thickness	Field	Edge	Thickness	Field	Edge
110C	24 ga	11.50	10.50	24 ga	11.00	9.50	24 ga	10.50	8.50
	22 ga	12.50	11.00	22 ga	11.50	9.50	22 ga	10.50	8.50
	20 ga	13.50	11.00	20 ga	11.50	9.50	20 ga	10.50	8.50
	0.032"	4.00	3.00	0.032"	3.00	2.50	0.032"	3.00	2.50
120C	24 ga	11.00	9.00	24 ga	9.50	7.50	24 ga	9.00	7.00
	22 ga	11.00	9.00	22 ga	9.50	7.50	22 ga	9.00	7.00
	20 ga	11.00	9.00	20 ga	9.50	7.50	20 ga	9.00	7.00
	0.032"	3.00	2.50	0.032"	2.50	2.00	0.032"	2.50	2.00
130C	24 ga	9.50	7.50	24 ga	8.00	6.50	24 ga	7.50	6.00
	22 ga	9.50	7.50	22 ga	8.00	6.50	22 ga	7.50	6.00
	20 ga	9.50	7.50	20 ga	8.00	6.50	20 ga	7.50	6.00
	0.032"	2.50	2.00	0.032"	2.00	2.00	0.032"	2.00	1.50
140C	24 ga	8.00	6.50	24 ga	7.00	5.50	24 ga	6.50	5.00
	22 ga	8.00	6.50	22 ga	7.00	5.50	22 ga	6.50	5.00
	20 ga	8.00	6.50	20 ga	7.00	5.50	20 ga	6.50	5.00
	0.032"	2.00	2.00	0.032"	2.00	1.50	0.032"	1.50	1.50
150C	24 ga	7.00	5.50	24 ga	6.00	5.00	24 ga	5.50	4.50
	22 ga	7.00	5.50	22 ga	6.00	5.00	22 ga	5.50	4.50
	20 ga	7.00	5.50	20 ga	6.00	5.00	20 ga	5.50	4.50
	0.032"	2.00	1.50	0.032"	1.50	1.50	0.032"	1.50	1.00
160C	24 ga	6.00	5.00	24 ga	5.50	4.00	24 ga	5.00	4.00
	22 ga	6.00	5.00	22 ga	5.50	4.00	22 ga	5.00	4.00
	20 ga	6.00	5.00	20 ga	5.50	4.00	20 ga	5.00	4.00
	0.032"	1.50	1.50	0.032"	1.50	1.00	0.032"	1.50	1.00
170C	24 ga	5.50	4.50	24 ga	4.50	3.50	24 ga	4.50	3.50
	22 ga	5.50	4.50	22 ga	4.50	3.50	22 ga	4.50	3.50
	20 ga	5.50	4.50	20 ga	4.50	3.50	20 ga	4.50	3.50
	0.032"	1.50	1.00	0.032"	1.00	1.00	0.032"	1.00	1.00
180C	24 ga	5.00	4.00	24 ga	4.00	3.50	24 ga	4.00	3.00
	22 ga	5.00	4.00	22 ga	4.00	3.50	22 ga	4.00	3.00
	20 ga	5.00	4.00	20 ga	4.00	3.50	20 ga	4.00	3.00
	0.032"	1.50	1.00	0.032"	1.00	1.00	0.032"	1.00	0.50

Notes:

- Allowable spacing is based on capacities determined in AISI 2016, North American Specification for the Design of Cold-Structural Members and ADM 2015, Aluminum Design Manual.
- Allowable spacing is based on an applied load determined using ASCE 7-16 for the wind speeds and Wind Exposures tabulated. Assumptions include a tributary area of 10 square feet, an Enclosed building, a Topographic Factor of 1.0 and panel bearing length of 2.5 inches.
- Allowable spacing is determined using IBC 2018 combinations. For wind suction and pressure, the combination is 0.6W.
- Testing is not included in determining the suction capacity.

- (4) - FIELD
- (5) - EDGE

a - LEAST OF 10% MINIMUM BUILDING WIDTH OR 40% OF MEAN ROOF HEIGHT BUT NOT LESS THAN 3'.

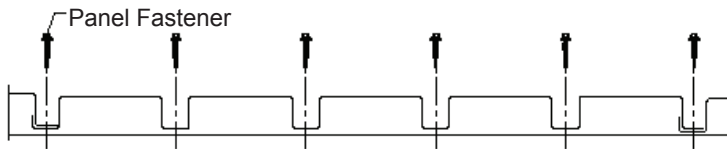


T10-C

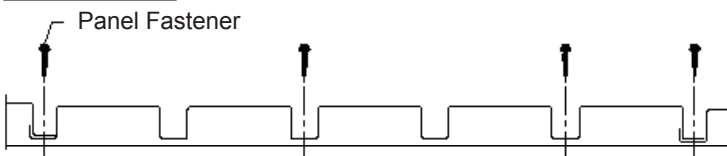
ESR-4633 covers the use of this profile.

FASTENING PATTERNS

Ends of Panel



Field of Panel



FASTENING INFORMATION

Overdriven fasteners will cause panel distortion.

Panel fasteners should extend 1/2" or more past the inside face of the support material.

Thick panels or supports (ex. 1/2" steel) may require pre-drilling of holes for screws.

Panel Fastener:

Attaching to Wood:
#10-14 Wood Screw XL

Attaching to Steel:
#12-14 Driller XL

Trim Fastener:

1/8" x 3/16" Pop Rivet
1/4"-14 x 7/8" Stitch Screw XL

STEEL SECTION PROPERTIES

ALLOWABLE UNIFORM LOADS, psf for various fastener spacings

Ga	Width in	Yield ksi	Weight psf	Top in Compression		Bottom in Compression		Inward Load						Outward Load					
				I _{xx} in ⁴ /ft	S _{xx} in ³ /ft	I _{xx} in ⁴ /ft	S _{xx} in ³ /ft	5'	6'	7'	8'	10'	12'	5'	6'	7'	8'	10'	12'
24	30	50	1.37	0.0844	0.1078	0.1260	0.1195	110	77	57	43	24	14	100	69	51	39	24	14
22	30	50	1.79	0.1196	0.1577	0.1740	0.1685	155	108	80	60	31	18	145	101	75	57	31	18
20	30	33	2.19	0.1720	0.2018	0.2160	0.2128	129	90	66	51	33	21	123	86	63	48	31	21
18	30	33	2.88	0.2480	0.2700	0.2840	0.2780	169	118	87	67	43	28	164	114	84	65	41	28

- Theoretical section properties have been calculated per AISI 2016 'North American Specification for the Design of Cold-Formed Steel Structural Members'. I_{xx} and S_{xx} are effective section properties for deflection and bending.
- Allowable load is calculated in accordance with AISI 2016 specifications considering bending, shear, combined bending & shear and deflection. Allowable load does not consider other support conditions such as, web crippling, fasteners, support material or load testing. Panel weight is not considered.
- Allowable load considers the 3 or more equal span condition.
- Deflection consideration is limited by a maximum deflection ratio of L/180 of span.
- Allowable loads do not include a 1/3 stress increase for wind.

ALUMINUM SECTION PROPERTIES

ALLOWABLE UNIFORM LOADS, psf for various fastener spacings

Thick in	Width in	Yield ksi	Weight psf	I in ⁴ /ft	S _{Top} in ³ /ft	S _{Bottom} in ³ /ft	Z in ³ /ft	Inward Load						Outward Load					
								3'	4'	5'	6'	7'	8'	3'	4'	5'	6'	7'	8'
0.032	30	17	0.65	0.1960	0.4076	0.1940	0.268	177	104	68	48	33	22	177	104	68	48	33	22
0.040	30	17	0.81	0.2440	0.5004	0.2380	0.330	218	128	84	59	41	27	218	128	84	59	41	27
0.050	30	17	1.01	0.2960	0.6120	0.2912	0.406	269	158	103	73	50	33	269	158	103	73	50	33

- Theoretical section properties have been calculated per 2015 Aluminum Design Manual. I, S and Z are section properties for deflection and bending.
- Allowable load is calculated in accordance with 2015 Aluminum Design Manual specifications considering bending, shear, combined bending & shear and deflection. Allowable load does not consider load testing or support conditions such as web crippling, fasteners or support material.
- Allowable load considers the three or more equal span case.
- Deflection consideration is limited by a maximum deflection ratio of L/180 of span.
- Allowable loads do not include a 1/3 stress increase in uplift.

T10-C on 16 ga Girts

Wall Fastener Spacing (feet)

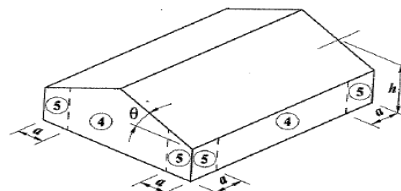
Wind Speed (mph) Exposure Category	20 ft, Mean Roof Height			40 ft, Mean Roof Height			60 ft, Mean Roof Height		
	Thickness	Field	Edge	Thickness	Field	Edge	Thickness	Field	Edge
110C		-18.2 psf	-22.5 psf		-21.1 psf	-26 psf		-23 psf	-28.4 psf
	24 ga	10.50	10.00	24 ga	10.00	9.50	24 ga	10.00	8.50
	22 ga	11.50	11.00	22 ga	11.00	9.50	22 ga	10.50	8.50
	20 ga	12.50	11.00	20 ga	11.50	9.50	20 ga	10.50	8.50
	0.032"	4.00	3.00	0.032"	3.00	2.50	0.032"	3.00	2.50
120C		-21.7 psf	-26.8 psf		-25.1 psf	-31 psf		-27.4 psf	-33.8 psf
	24 ga	10.00	9.00	24 ga	9.50	7.50	24 ga	9.00	7.00
	22 ga	11.00	9.00	22 ga	9.50	7.50	22 ga	9.00	7.00
	20 ga	11.00	9.00	20 ga	9.50	7.50	20 ga	9.00	7.00
	0.032"	3.00	2.50	0.032"	2.50	2.00	0.032"	2.50	2.00
130C		-25.5 psf	-31.4 psf		-29.5 psf	-36.4 psf		-32.1 psf	-39.6 psf
	24 ga	9.50	7.50	24 ga	8.00	6.50	24 ga	7.50	6.00
	22 ga	9.50	7.50	22 ga	8.00	6.50	22 ga	7.50	6.00
	20 ga	9.50	7.50	20 ga	8.00	6.50	20 ga	7.50	6.00
	0.032"	2.50	2.00	0.032"	2.00	2.00	0.032"	2.00	1.50
140C		-29.5 psf	-36.5 psf		-34.2 psf	-42.2 psf		-37.2 psf	-46 psf
	24 ga	8.00	6.50	24 ga	7.00	5.50	24 ga	6.50	5.00
	22 ga	8.00	6.50	22 ga	7.00	5.50	22 ga	6.50	5.00
	20 ga	8.00	6.50	20 ga	7.00	5.50	20 ga	6.50	5.00
	0.032"	2.00	2.00	0.032"	2.00	1.50	0.032"	1.50	1.50
150C		-33.9 psf	-41.9 psf		-39.2 psf	-48.4 psf		-42.7 psf	-52.8 psf
	24 ga	7.00	5.50	24 ga	6.00	5.00	24 ga	5.50	4.50
	22 ga	7.00	5.50	22 ga	6.00	5.00	22 ga	5.50	4.50
	20 ga	7.00	5.50	20 ga	6.00	5.00	20 ga	5.50	4.50
	0.032"	2.00	1.50	0.032"	1.50	1.50	0.032"	1.50	1.00
160C		-38.6 psf	-47.6 psf		-44.6 psf	-55.1 psf		-48.6 psf	-60 psf
	24 ga	6.00	5.00	24 ga	5.50	4.00	24 ga	5.00	4.00
	22 ga	6.00	5.00	22 ga	5.50	4.00	22 ga	5.00	4.00
	20 ga	6.00	5.00	20 ga	5.50	4.00	20 ga	5.00	4.00
	0.032"	1.50	1.50	0.032"	1.50	1.00	0.032"	1.50	1.00
170C		-43.6 psf	-53.8 psf		-50.4 psf	-62.2 psf		-54.9 psf	-67.8 psf
	24 ga	5.50	4.50	24 ga	4.50	3.50	24 ga	4.50	3.50
	22 ga	5.50	4.50	22 ga	4.50	3.50	22 ga	4.50	3.50
	20 ga	5.50	4.50	20 ga	4.50	3.50	20 ga	4.50	3.50
	0.032"	1.50	1.00	0.032"	1.00	1.00	0.032"	1.00	1.00
180C		-48.8 psf	-60.3 psf		-56.5 psf	-69.7 psf		-61.5 psf	-76 psf
	24 ga	5.00	4.00	24 ga	4.00	3.50	24 ga	4.00	3.00
	22 ga	5.00	4.00	22 ga	4.00	3.50	22 ga	4.00	3.00
	20 ga	5.00	4.00	20 ga	4.00	3.50	20 ga	4.00	3.00
	0.032"	1.50	1.00	0.032"	1.00	1.00	0.032"	1.00	0.50

Notes:

1. Allowable spacing is based on capacities determined in AISI 2016, North American Specification for the Design of Cold-Structural Members and ADM 2015, Aluminum Design Manual.
2. Allowable spacing is based on an applied load determined using ASCE 7-16 for the wind speeds and Wind Exposures tabulated. Assumptions include a tributary area of 10 square feet, an Enclosed building, a Topographic Factor of 1.0 and panel bearing length of 2.5 inches.
3. Allowable spacing is determined using IBC 2018 combinations. For wind suction and pressure, the combination is 0.6W.
4. Testing is not included in determining the suction capacity.

④ - FIELD a - LEAST OF 10% MINIMUM BUILDING WIDTH OR 40% OF MEAN ROOF HEIGHT BUT NOT LESS THAN 3'.

⑤ - EDGE

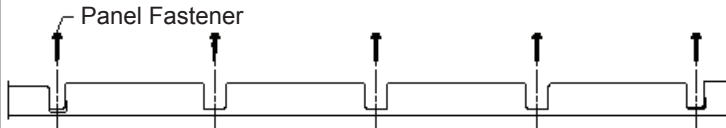


T10-D

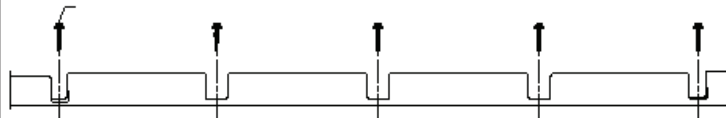
ESR-4633 covers the use of this profile.

FASTENING PATTERNS

Ends of Panel



Field of Panel



FASTENING INFORMATION

Overdriven fasteners will cause panel distortion.

Panel fasteners should extend 1/2" or more past the inside face of the support material.

Thick panels or supports (ex. 1/2" steel) may require pre-drilling of holes for screws.

Panel Fastener:

Attaching to Wood:
#10-14 Wood Screw XL

Attaching to Steel:
#12-14 Driller XL

Trim Fastener:

1/8" x 3/8" Pop Rivet
1/4"-14 x 7/8" Stitch Screw XL

STEEL SECTION PROPERTIES

ALLOWABLE UNIFORM LOADS, psf for various fastener spacings

Ga	Width in	Yield ksi	Weight psf	Top in Compression		Bottom in Compression		Inward Load						Outward Load					
				I _{xx} in ⁴ /ft	S _{xx} in ³ /ft	I _{xx} in ⁴ /ft	S _{xx} in ³ /ft	4'	5'	6'	7'	8'	10'	4'	5'	6'	7'	8'	10'
24	36	50	1.22	0.0577	0.0730	0.0977	0.0838	120	77	54	40	30	19	105	67	47	35	27	17
22	36	50	1.60	0.0800	0.1082	0.1367	0.1184	169	109	76	56	43	24	155	100	70	51	39	24
20	36	33	1.96	0.1167	0.1390	0.1700	0.1507	141	91	64	47	36	23	131	84	59	43	33	21
18	36	33	2.58	0.1733	0.1867	0.2233	0.1973	185	119	83	62	47	30	175	113	79	58	45	29

- Theoretical section properties have been calculated per AISI 2016 'North American Specification for the Design of Cold-Formed Steel Structural Members'. I_{xx} and S_{xx} are effective section properties for deflection and bending.
- Allowable load is calculated in accordance with AISI 2016 specifications considering bending, shear, combined bending & shear and deflection. Allowable load does not consider other support conditions such as, web crippling, fasteners, support material or load testing. Panel weight is not considered.
- Allowable load considers the 3 or more equal span condition.
- Deflection consideration is limited by a maximum deflection ratio of L/180 of span.
- Allowable loads do not include a 1/3 stress increase for wind.

ALUMINUM SECTION PROPERTIES

ALLOWABLE UNIFORM LOADS, psf for various fastener spacings

Thick in	Width in	Yield ksi	Weight psf	I in ⁴ /ft	S _{Top} in ³ /ft	S _{Bottom} in ³ /ft	Z in ³ /ft	Inward Load						Outward Load					
								2'	3'	4'	5'	6'	7'	2'	3'	4'	5'	6'	7'
0.032	36	17	0.59	0.1567	0.4180	0.1380	0.184	262	126	73	47	33	25	262	126	73	47	33	25
0.040	36	17	0.73	0.1900	0.5127	0.1697	0.228	324	156	90	59	41	30	324	156	90	59	41	30
0.050	36	17	0.91	0.2333	0.6257	0.2077	0.281	399	192	111	72	51	37	399	192	111	72	51	37

- Theoretical section properties have been calculated per 2015 Aluminum Design Manual. I, S and Z are section properties for deflection and bending.
- Allowable load is calculated in accordance with 2015 Aluminum Design Manual specifications considering bending, shear, combined bending & shear and deflection. Allowable load does not consider load testing or support conditions such as web crippling, fasteners or support material.
- Allowable load considers the three or more equal span case.
- Deflection consideration is limited by a maximum deflection ratio of L/180 of span.
- Allowable loads do not include a 1/3 stress increase in uplift.

T10-D on 16 ga Girts

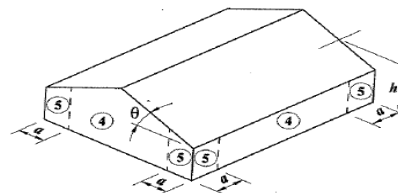
Wall Fastener Spacing (feet)

Wind Speed (mph) Exposure Category	20 ft. Mean Roof Height	40 ft. Mean Roof Height	60 ft. Mean Roof Height						
110C	Thickness	Field	Edge	Thickness	Field	Edge	Thickness	Field	Edge
		-18.2 psf	-22.5 psf		-21.1 psf	-26 psf		-23 psf	-28.4 psf
	24 ga	9.00	7.00	24 ga	7.50	6.00	24 ga	7.00	5.50
	22 ga	9.00	7.00	22 ga	7.50	6.00	22 ga	7.00	5.50
120C	Thickness	Field	Edge	Thickness	Field	Edge	Thickness	Field	Edge
		-21.7 psf	-26.8 psf		-25.1 psf	-31 psf		-27.4 psf	-33.8 psf
	24 ga	7.50	6.00	24 ga	6.50	5.00	24 ga	6.00	4.50
	22 ga	7.50	6.00	22 ga	6.50	5.00	22 ga	6.00	4.50
130C	Thickness	Field	Edge	Thickness	Field	Edge	Thickness	Field	Edge
		-25.5 psf	-31.4 psf		-29.5 psf	-36.4 psf		-32.1 psf	-39.6 psf
	24 ga	6.00	5.00	24 ga	5.50	4.50	24 ga	5.00	4.00
	22 ga	6.00	5.00	22 ga	5.50	4.50	22 ga	5.00	4.00
140C	Thickness	Field	Edge	Thickness	Field	Edge	Thickness	Field	Edge
		-29.5 psf	-36.5 psf		-34.2 psf	-42.2 psf		-37.2 psf	-46 psf
	24 ga	5.50	4.50	24 ga	4.50	3.50	24 ga	4.00	3.50
	22 ga	5.50	4.50	22 ga	4.50	3.50	22 ga	4.00	3.50
150C	Thickness	Field	Edge	Thickness	Field	Edge	Thickness	Field	Edge
		-33.9 psf	-41.9 psf		-39.2 psf	-48.4 psf		-42.7 psf	-52.8 psf
	24 ga	4.50	3.50	24 ga	4.00	3.00	24 ga	3.50	3.00
	22 ga	4.50	3.50	22 ga	4.00	3.00	22 ga	3.50	3.00
160C	Thickness	Field	Edge	Thickness	Field	Edge	Thickness	Field	Edge
		-38.6 psf	-47.6 psf		-44.6 psf	-55.1 psf		-48.6 psf	-60 psf
	24 ga	4.00	3.00	24 ga	3.50	2.50	24 ga	3.00	2.50
	22 ga	4.00	3.00	22 ga	3.50	2.50	22 ga	3.00	2.50
170C	Thickness	Field	Edge	Thickness	Field	Edge	Thickness	Field	Edge
		-43.6 psf	-53.8 psf		-50.4 psf	-62.2 psf		-54.9 psf	-67.8 psf
	24 ga	3.50	3.00	24 ga	3.00	2.50	24 ga	3.00	2.00
	22 ga	3.50	3.00	22 ga	3.00	2.50	22 ga	3.00	2.00
180C	Thickness	Field	Edge	Thickness	Field	Edge	Thickness	Field </td <td>Edge</td>	Edge
		-48.8 psf	-60.3 psf		-56.5 psf	-69.7 psf		-61.5 psf	-76 psf
	24 ga	3.00	2.50	24 ga	2.50	2.00	24 ga	2.50	2.00
	22 ga	3.00	2.50	22 ga	2.50	2.00	22 ga	2.50	2.00

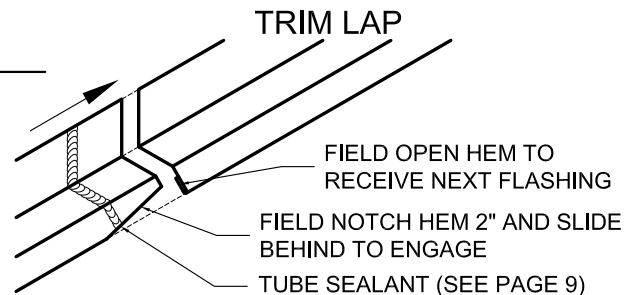
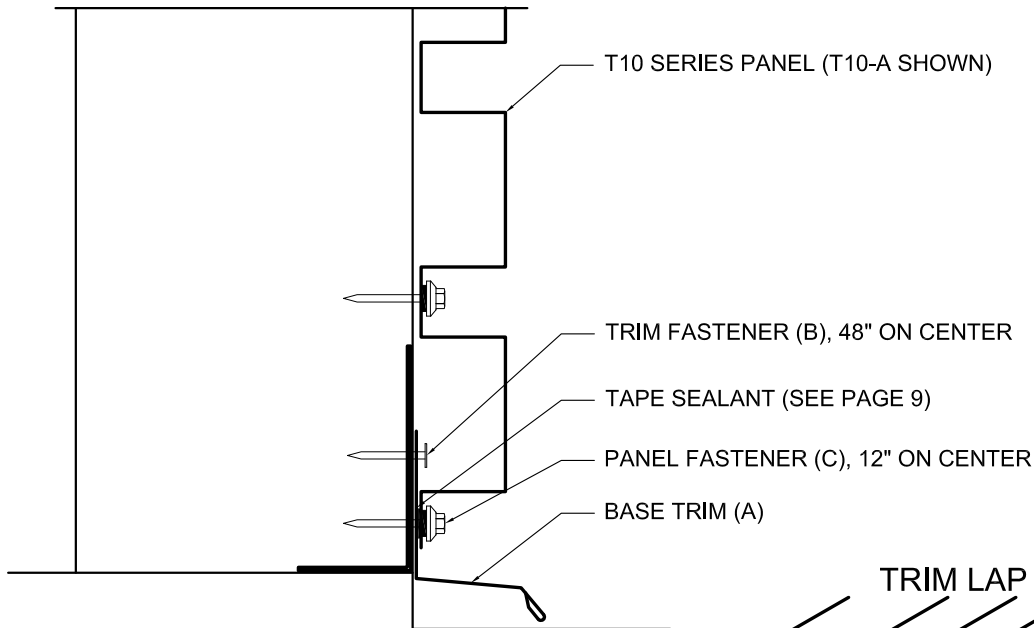
Notes:

1. Allowable spacing is based on capacities determined in AISI 2016, North American Specification for the Design of Cold-Structural Members and ADM 2015, Aluminum Design Manual.
2. Allowable spacing is based on an applied load determined using ASCE 7-16 for the wind speeds and Wind Exposures tabulated. Assumptions include a tributary area of 10 square feet, an Enclosed building, a Topographic Factor of 1.0 and panel bearing length of 2.5 inches.
3. Allowable spacing is determined using IBC 2018 combinations. For wind suction and pressure, the combination is 0.6W.
4. Testing is not included in determining the suction capacity.

- ④ - FIELD
- ⑤ - EDGE
- a - LEAST OF 10% MINIMUM BUILDING WIDTH OR 40% OF MEAN ROOF HEIGHT BUT NOT LESS THAN 3'.



ELEVATION VIEW



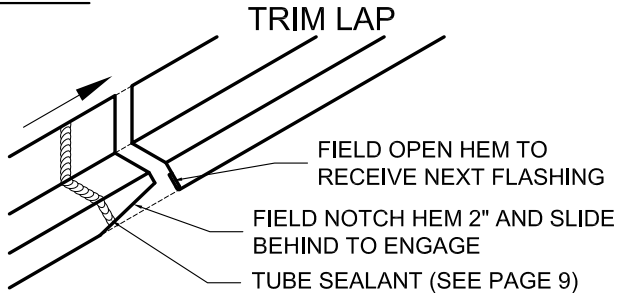
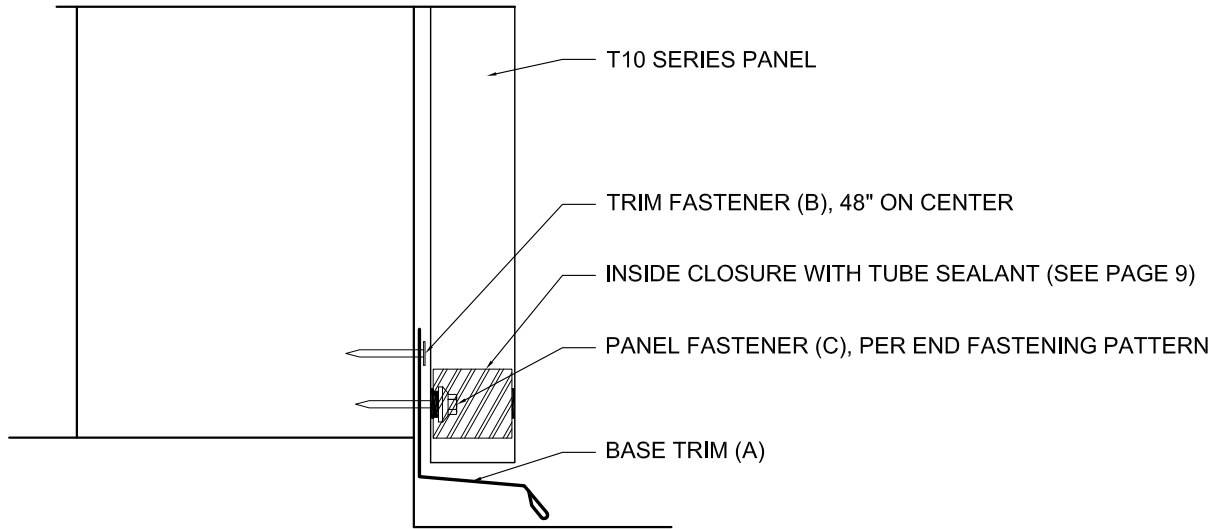
NO FASTENERS THROUGH TRIM LAP

INSTALL ORDER

1. BASE TRIM
2. TAPE SEALANT
3. PANEL

Part	Description	Product #	Length	Installation Information
<p>(A)</p>	Base Trim, 24 Ga Base Trim, 22 Ga Base Trim, 0.032"	58708XX 60708XX 58708XXA	10'-2"	Attach Base Trim to the wall support with Trim Fastener then install panel.
<p>(B)</p>	#10-16 x 1" Pancake Head Driller	8242100	1"	For trim attachment to steel framing
<p>(B)</p>	#10-12 x 1" Pancake Head Wood Screw	8243100	1"	For trim attachment to wood sheathing or framing
<p>(C)</p>	#12-14 x 1 1/4" Self Driller XL	82353XX	1 1/4"	For panel attachment to steel framing
<p>(C)</p>	#10-14 x 1 1/2" Wood Screw XL	82123XX	1 1/2"	For panel attachment to wood sheathing or framing

ELEVATION VIEW



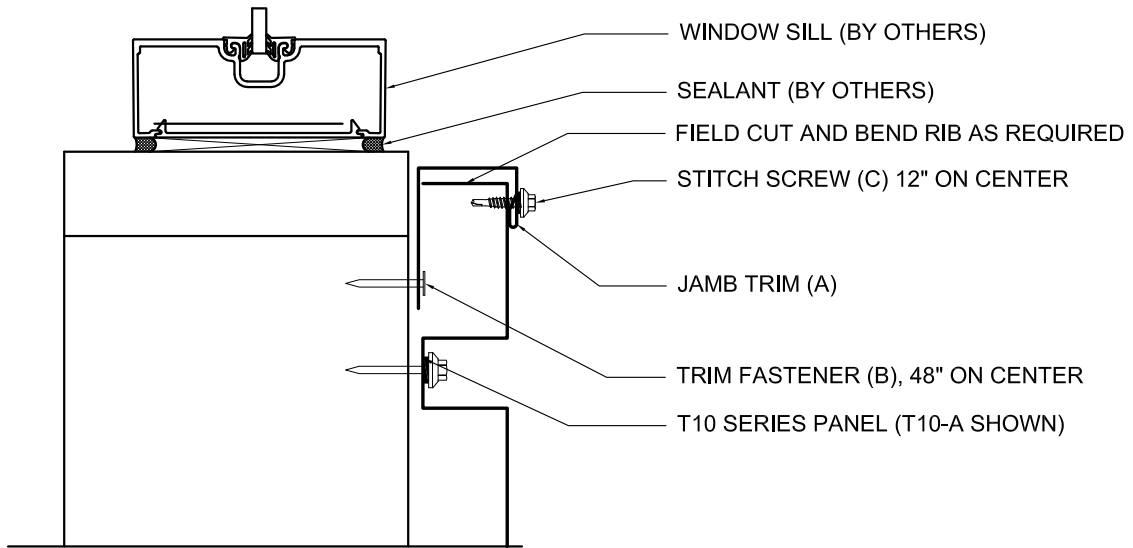
NO FASTENERS THROUGH TRIM LAP

INSTALL ORDER

1. BASE TRIM
2. INSIDE CLOSURE
3. PANEL

Part	Description	Product #	Length	Installation Information
<p>(A)</p>	Base Trim, 24 Ga Base Trim, 22 Ga Base Trim, 0.032"	58708XX 60708XX 58708XXA	10'-2"	Attach Base Trim to the wall support with Trim Fastener then install panel.
<p>(B)</p>	#10-16 x 1" Pancake Head Driller	8242100	1"	For trim attachment to steel framing
<p>(B)</p>	#10-12 x 1" Pancake Head Wood Screw	8243100	1"	For trim attachment to wood sheathing or framing
<p>(C)</p>	#12-14 x 1/4" Self Driller XL	82353XX	1/4"	For panel attachment to steel framing
<p>(C)</p>	#10-14 x 1/2" Wood Screw XL	82123XX	1/2"	For panel attachment to wood sheathing or framing

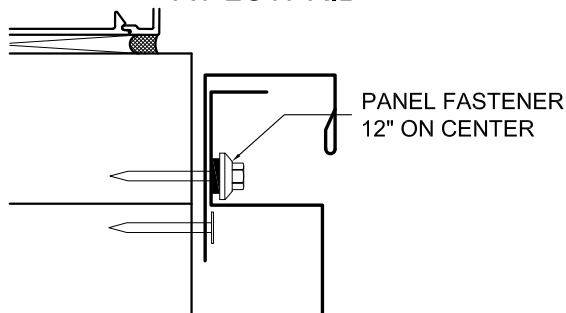
ELEVATION VIEW



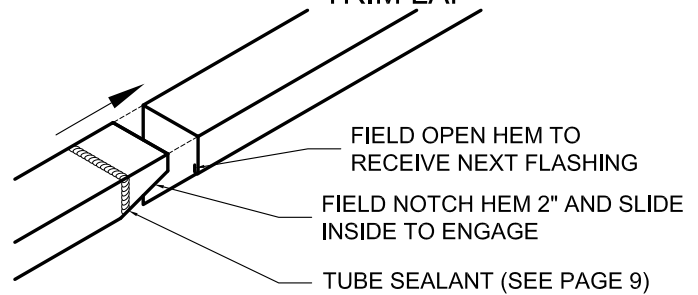
INSTALL ORDER

1. JAMB TRIM
2. PANEL
3. STITCH SCREW
4. WINDOW SILL

AT LOW RIB

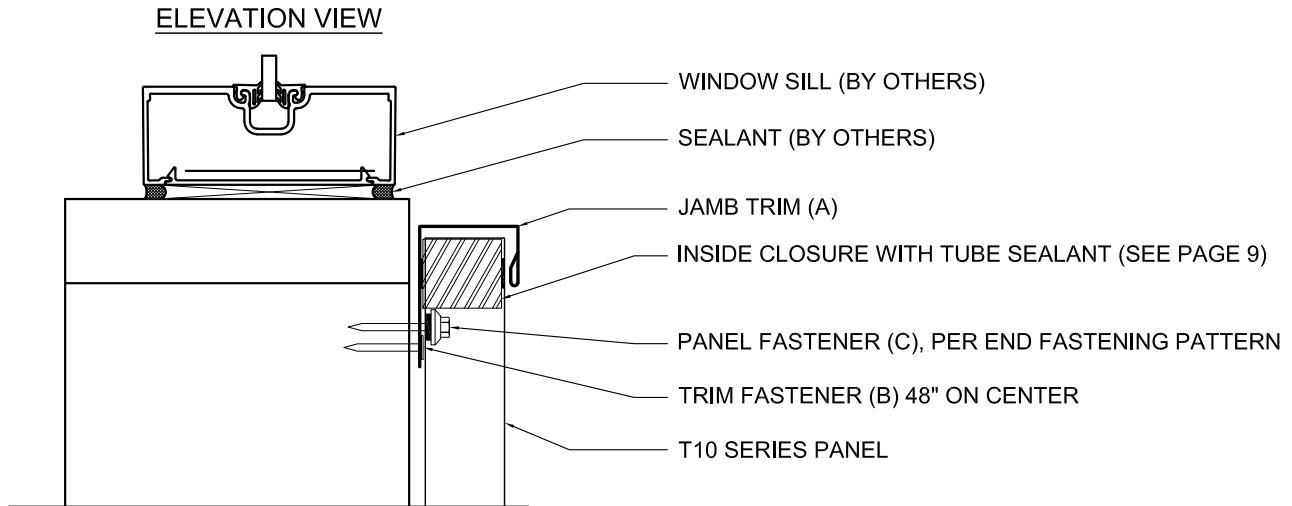


TRIM LAP



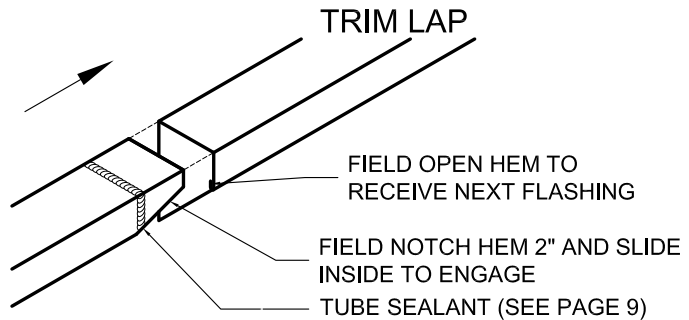
NO FASTENERS THROUGH TRIM LAP

Part	Description	Product #	Length	Installation Information
<p>(A)</p>	Jamb Trim, 24 Ga Jamb Trim, 22 Ga Jamb Trim, 0.032"	58671XX 60761XX 58671XXA	10'-2"	Attach Jamb Trim to the wall support with Trim Fastener then install panel and Stitch Screw.
<p>(B)</p>	#10-16 x 1" Pancake Head Driller	8242100	1"	For trim attachment to steel framing
<p>(B)</p>	#10-12 x 1" Pancake Head Wood Screw	8243100	1"	For trim attachment to wood sheathing or framing
<p>(C)</p>	1/4"-14 x 7/8" Stitch Screw XL	82368XX	7/8"	For trim attachment to panel



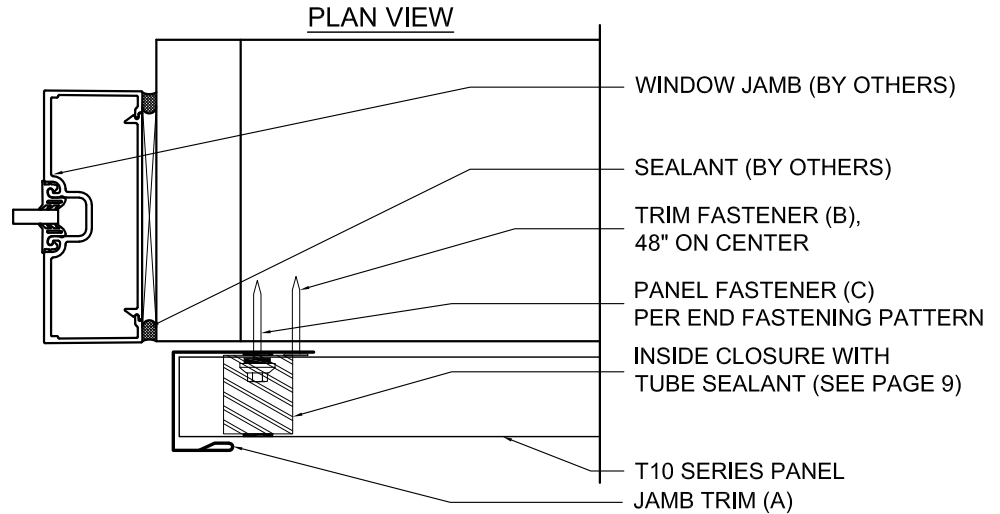
INSTALL ORDER

1. JAMB TRIM
2. INSIDE CLOSURE
3. PANEL
4. WINDOW SILL

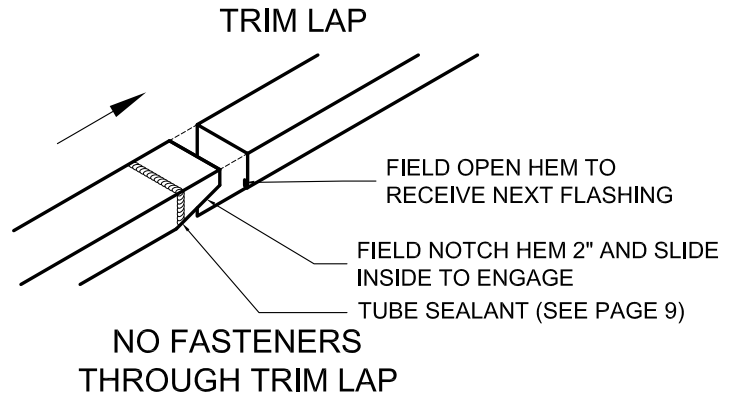


NO FASTENERS THROUGH TRIM LAP

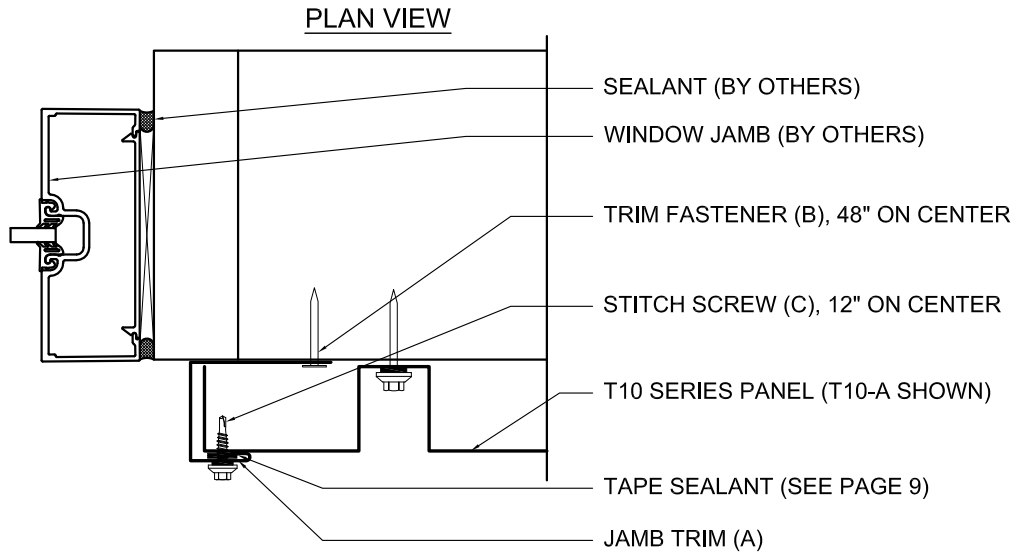
Part	Description	Product #	Length	Installation Information
<p>(A)</p>	<p>Jamb Trim, 24 Ga Jamb Trim, 22 Ga Jamb Trim, 0.032"</p>	<p>58671XX 60761XX 58671XXA</p>	<p>10'-2"</p>	<p>Attach Jamb Trim to the wall support with Trim Fastener then install panel.</p>
<p>(B)</p>	<p>#10-16 x 1" Pancake Head Driller</p>	<p>8242100</p>	<p>1"</p>	<p>For trim attachment to steel framing</p>
<p>(B)</p>	<p>#10-12 x 1" Pancake Head Wood Screw</p>	<p>8243100</p>	<p>1"</p>	<p>For trim attachment to wood sheathing or framing</p>
<p>(C)</p>	<p>#12-14 x 1/4" Self Driller XL</p>	<p>82353XX</p>	<p>1/4"</p>	<p>For panel attachment to steel framing</p>
<p>(C)</p>	<p>#10-14 x 1/2" Wood Screw XL</p>	<p>82123XX</p>	<p>1/2"</p>	<p>For panel attachment to wood sheathing or framing</p>



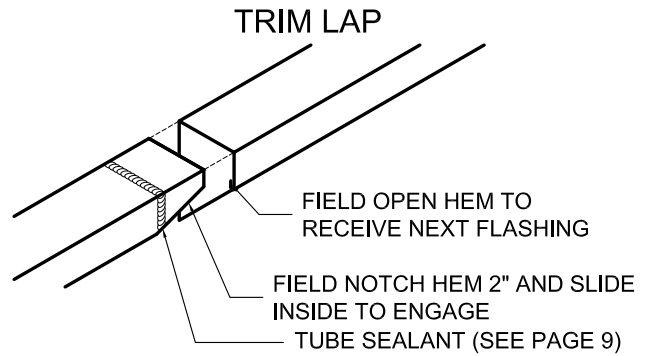
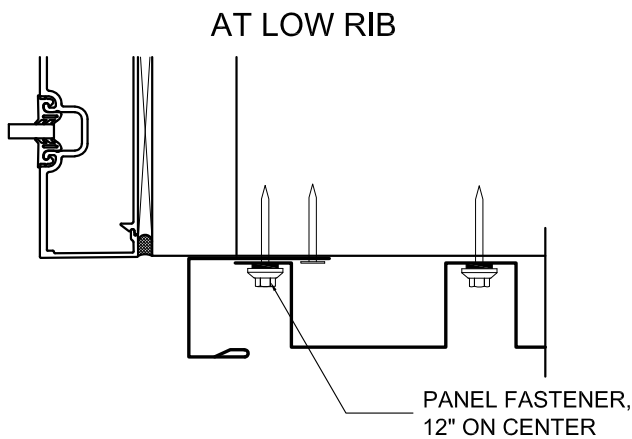
- INSTALL ORDER**
1. JAMB TRIM
 2. INSIDE CLOSURE
 3. PANEL
 4. WINDOW JAMB



Part	Description	Product #	Length	Installation Information
<p>(A)</p>	Jamb Trim, 24 Ga Jamb Trim, 22 Ga Jamb Trim, 0.032"	58671XX 60761XX 58671XXA	10'-2"	Attach Jamb Trim to the wall support with Trim Fastener then install panel.
<p>(B)</p>	#10-16 x 1" Pancake Head Driller	8242100	1"	For trim attachment to steel framing
<p>(B)</p>	#10-12 x 1" Pancake Head Wood Screw	8243100	1"	For trim attachment to wood sheathing or framing
<p>(C)</p>	#12-14 x 1 1/4" Self Driller XL	82353XX	1 1/4"	For panel attachment to steel framing
<p>(C)</p>	#10-14 x 1 1/2" Wood Screw XL	82123XX	1 1/2"	For panel attachment to wood sheathing or framing



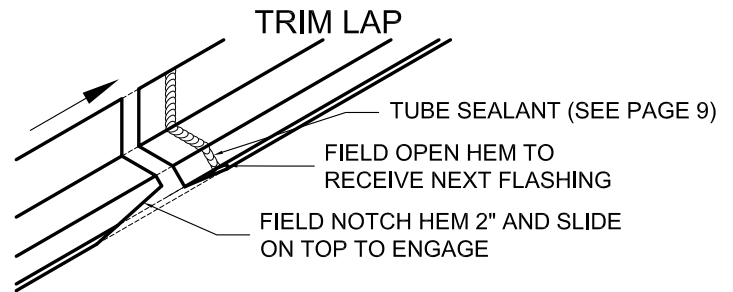
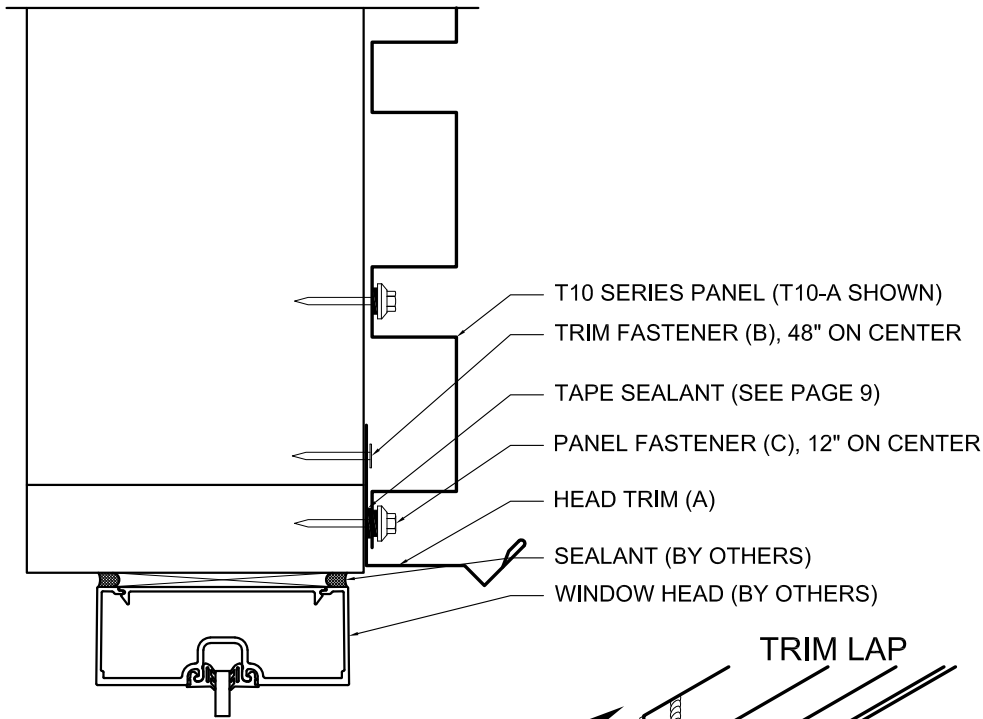
- INSTALL ORDER**
1. JAMB TRIM
 2. TAPE SEALANT
 3. PANEL
 4. STITCH SCREW
 5. WINDOW JAMB



NO FASTENERS THROUGH TRIM LAP

Part	Description	Product #	Length	Installation Information
(A)	Jamb Trim, 24 Ga Jamb Trim, 22 Ga Jamb Trim, 0.032"	58671XX 60761XX 58671XXA	10'-2"	Attach Jamb Trim to the wall support with Trim Fastener then install panel.
(B)	#10-16 x 1" Pancake Head Driller	8242100	1"	For trim attachment to steel framing
(B)	#10-12 x 1" Pancake Head Wood Screw	8243100	1"	For trim attachment to wood sheathing or framing
(C)	1/4"-14 x 7/8" Stitch Screw XL	82368XX	7/8"	For trim attachment to panel

ELEVATION VIEW



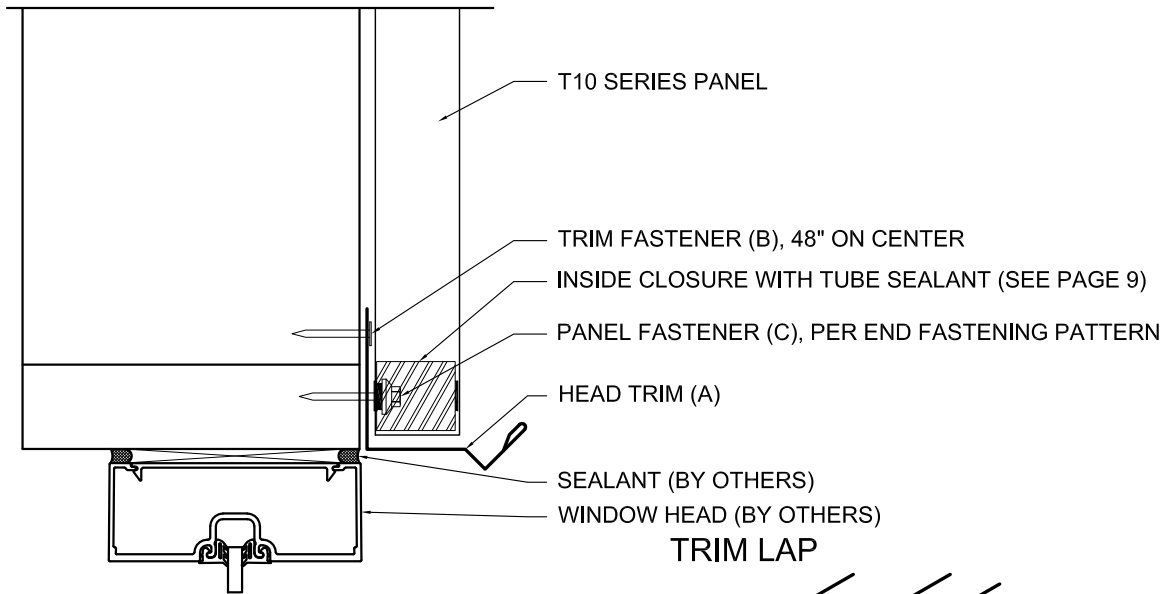
NO FASTENERS THROUGH TRIM LAP

INSTALL ORDER

1. HEAD TRIM
2. TAPE SEALANT
3. PANEL
4. WINDOW HEAD

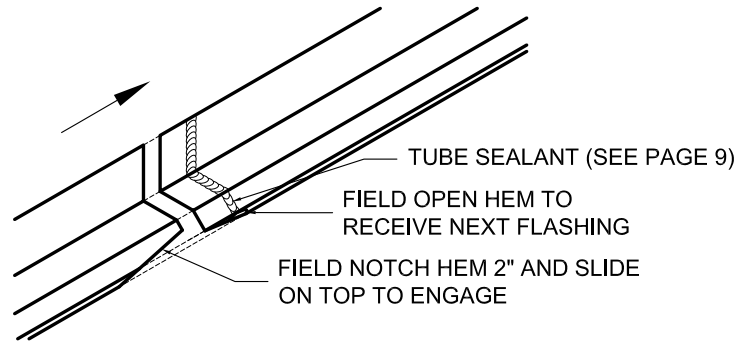
Part	Description	Product #	Length	Installation Information
<p>(A)</p>	Head Trim, 24 Ga Head Trim, 22 Ga Head Trim, 0.032"	58621XX 60621XX 58621XXA	10'-2"	Attach Head Trim to the wall support with Trim Fastener then install panel.
<p>(B)</p>	#10-16 x 1" Pancake Head Driller	8242100	1"	For trim attachment to steel framing
<p>(B)</p>	#10-12 x 1" Pancake Head Wood Screw	8243100	1"	For trim attachment to wood sheathing or framing
<p>(C)</p>	#12-14 x 1 1/4" Self Driller XL	82353XX	1 1/4"	For panel attachment to steel framing
<p>(C)</p>	#10-14 x 1 1/2" Wood Screw XL	82123XX	1 1/2"	For panel attachment to wood sheathing or framing

ELEVATION VIEW

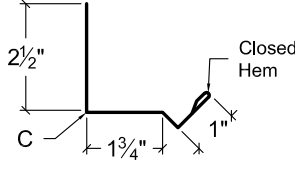
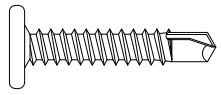
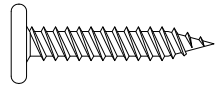
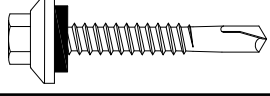



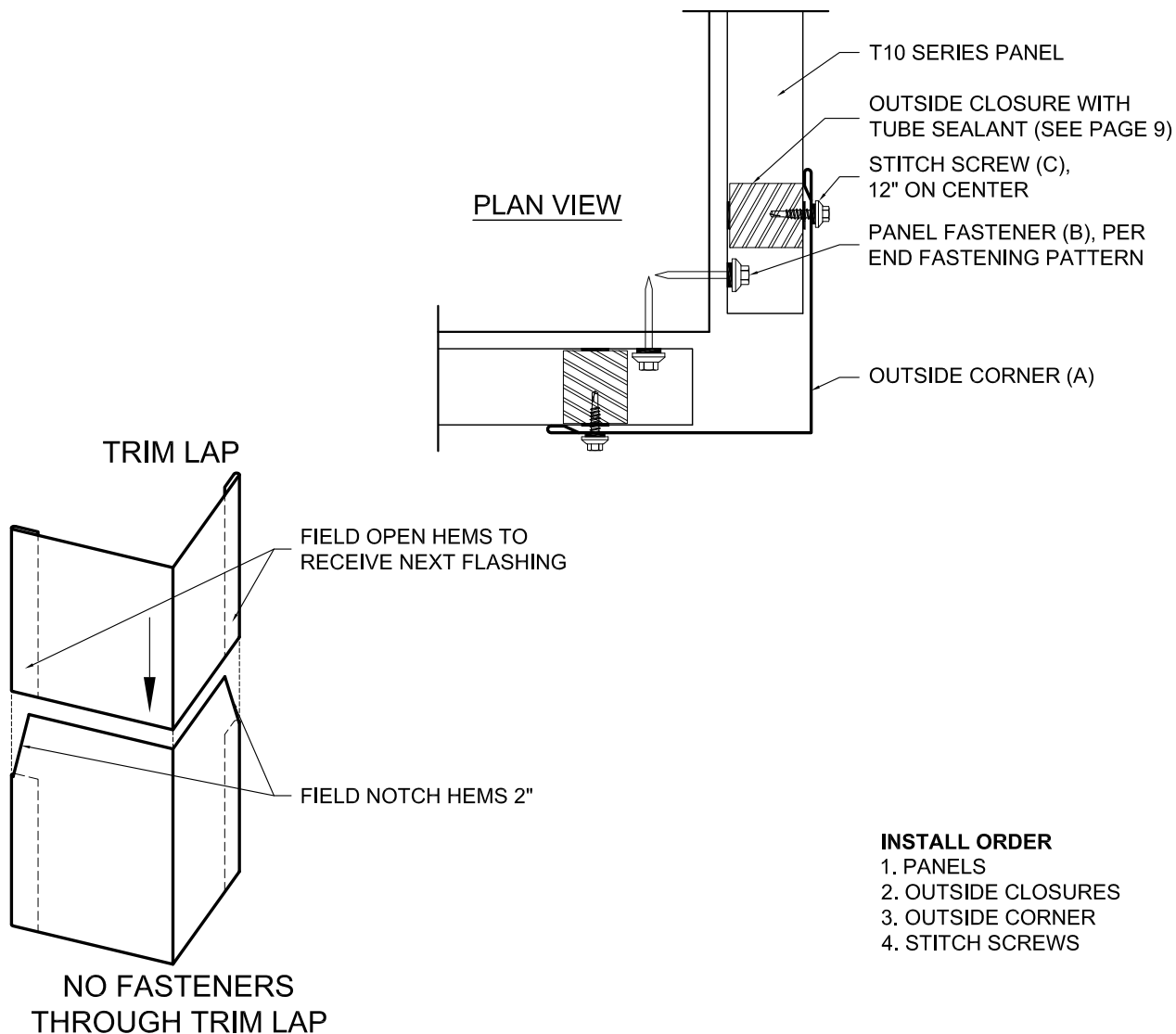
INSTALL ORDER

1. HEAD TRIM
2. INSIDE CLOSURE
3. PANEL
4. WINDOW HEAD

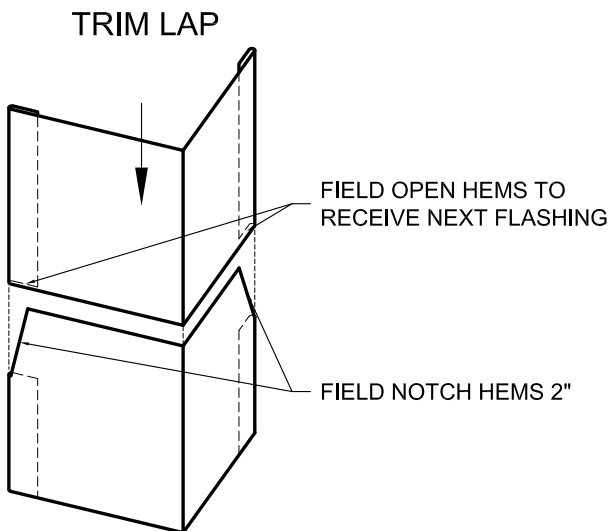
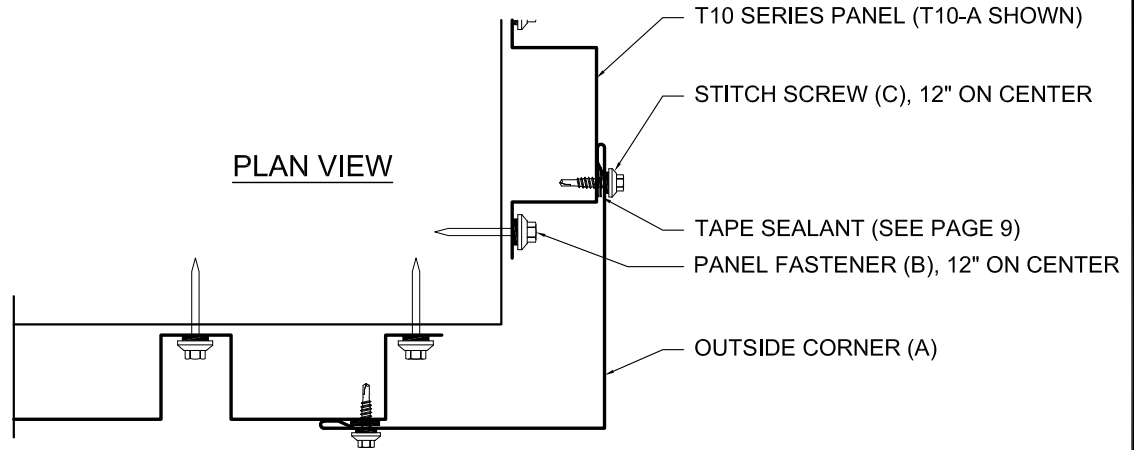


NO FASTENERS THROUGH TRIM LAP

Part	Description	Product #	Length	Installation Information
(A) 	Head Trim, 24 Ga Head Trim, 22 Ga Head Trim, 0.032"	58621XX 60621XX 58621XXA	10'-2"	Attach Head Trim to the wall support with Trim Fastener then install panel.
(B) 	#10-16 x 1" Pancake Head Driller	8242100	1"	For trim attachment to steel framing
(B) 	#10-12 x 1" Pancake Head Wood Screw	8243100	1"	For trim attachment to wood sheathing or framing
(C) 	#12-14 x 1/4" Self Driller XL	82353XX	1/4"	For panel attachment to steel framing
(C) 	#10-14 x 1/2" Wood Screw XL	82123XX	1/2"	For panel attachment to wood sheathing or framing



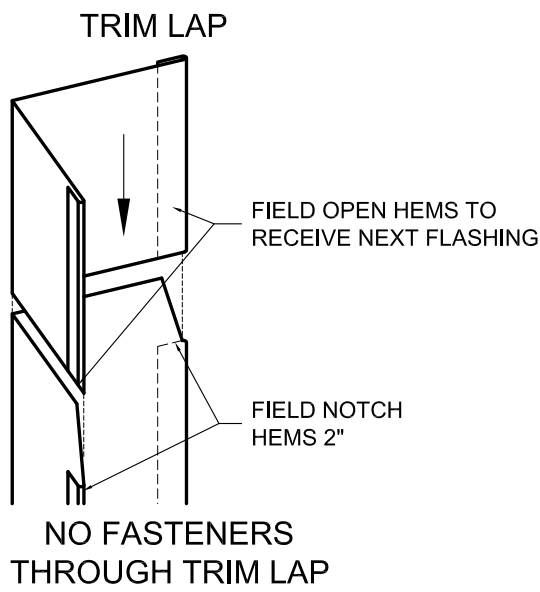
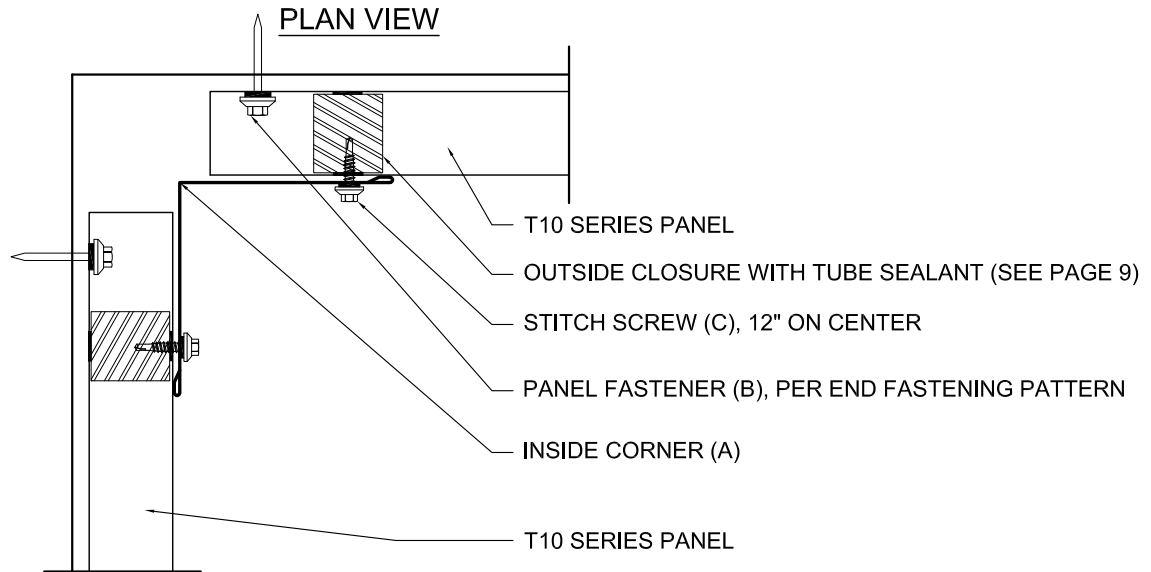
Part	Description	Product #	Length	Installation Information
<p>(A)</p>	Outside Corner, 24 Ga Outside Corner, 22 Ga Outside Corner, 0.032"	58132XX 59132XX 58132XXA	10'-2"	Install panels and Outside Closures with Tape Sealant. Place Outside Corner and attach with Stitch Screws.
<p>(B)</p>	#12-14 x 1/4" Self Driller XL	82353XX	1/4"	For panel attachment to steel framing
<p>(B)</p>	#10-14 x 1/2" Wood Screw XL	82123XX	1/2"	For panel attachment to wood sheathing or framing
<p>(C)</p>	1/4"-14 x 7/8" Stitch Screw XL	82368XX	7/8"	For trim attachment to panel



NO FASTENERS THROUGH TRIM LAP

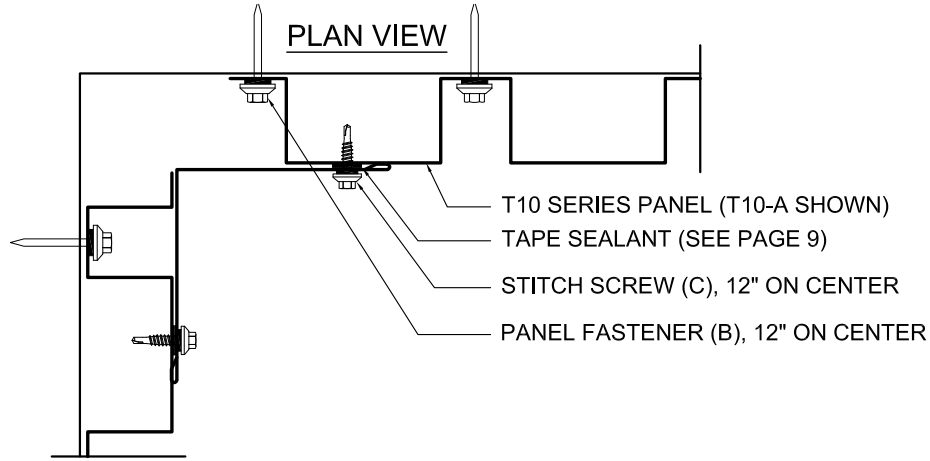
- INSTALL ORDER**
1. PANELS
 2. TAPE SEALANT
 3. OUTSIDE CORNER
 4. STITCH SCREWS

Part	Description	Product #	Length	Installation Information
<p>(A)</p>	Outside Corner, 24 Ga Outside Corner, 22 Ga Outside Corner, 0.032"	58132XX 59132XX 58132XXA	10'-2"	Install panels and apply Tape Sealant. Place Outside Corner and attach with Stitch Screws.
<p>(B)</p>	#12-14 x 1/4" Self Driller XL	82353XX	1/4"	For panel attachment to steel framing
<p>(B)</p>	#10-14 x 1/2" Wood Screw XL	82123XX	1/2"	For panel attachment to wood sheathing or framing
<p>(C)</p>	1/4"-14 x 7/8" Stitch Screw XL	82368XX	7/8"	For trim attachment to panel

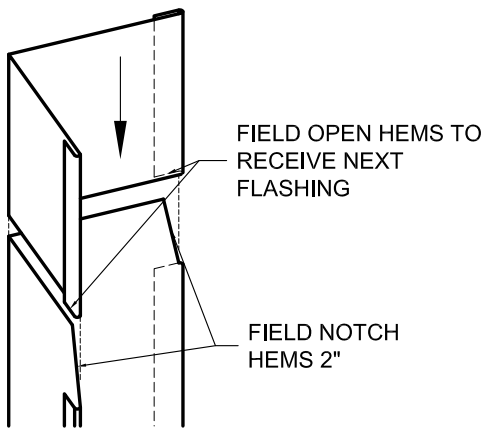


- INSTALL ORDER**
1. PANELS
 2. OUTSIDE CLOSURES
 3. INSIDE CORNER
 4. STITCH SCREWS

Part	Description	Product #	Length	Installation Information
<p>(A)</p>	Inside Corner, 24 Ga Inside Corner, 22 Ga Inside Corner, 0.032"	58126XX 59126XX 58126XXA	10'-2"	Install panels and Outside Closures with Tape Sealant. Place Inside Corner and attach with Stitch Screws.
<p>(B)</p>	#12-14 x 1/4" Self Driller XL	82353XX	1/4"	For panel attachment to steel framing
<p>(B)</p>	#10-14 x 1 1/2" Wood Screw XL	82123XX	1 1/2"	For panel attachment to wood sheathing or framing
<p>(C)</p>	1/4"-14 x 7/8" Stitch Screw XL	82368XX	7/8"	For trim attachment to panel



TRIM LAP

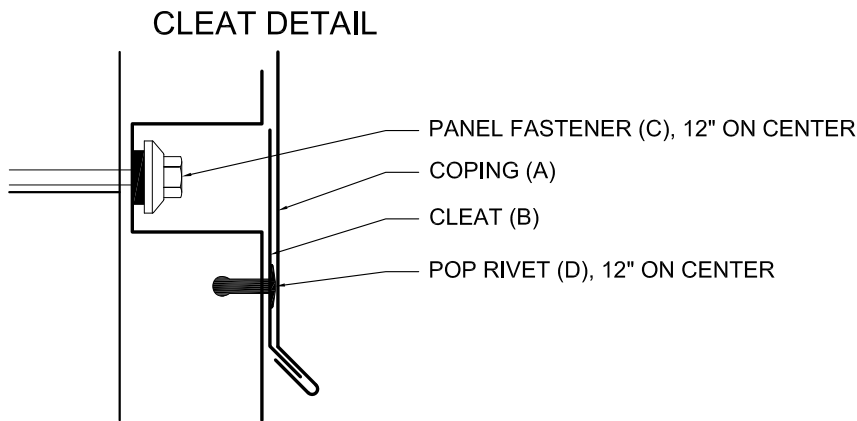
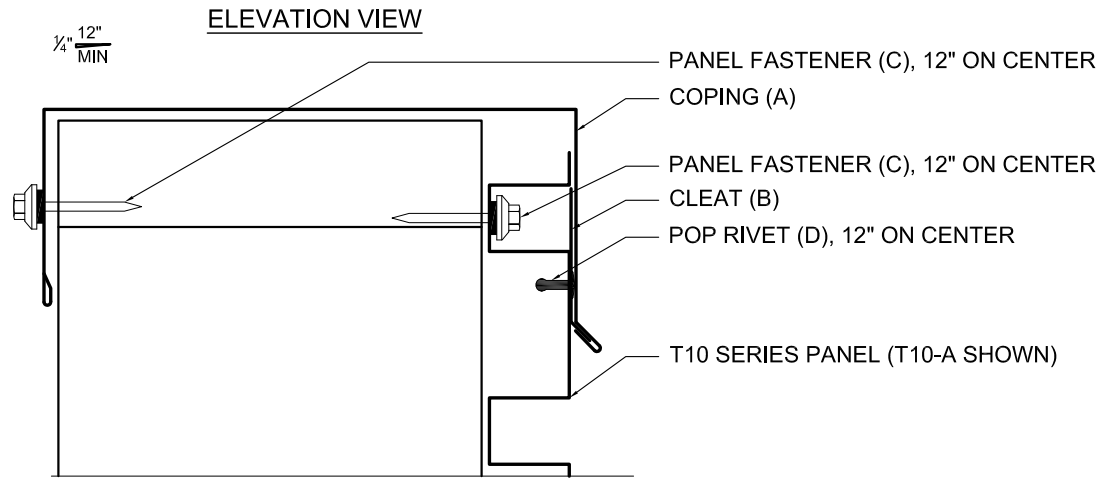


NO FASTENERS THROUGH TRIM LAP

INSTALL ORDER

1. PANELS
2. TAPE SEALANT
3. INSIDE CORNER
4. STITCH SCREWS

	Part	Description	Product #	Length	Installation Information
(A)		Inside Corner, 24 Ga Inside Corner, 22 Ga Inside Corner, 0.032"	58126XX 59126XX 58126XXA	10'-2"	Install panels with Tape Sealant. Place Inside Corner and attach with Stitch Screws.
(B)		#12-14 x 1/4" Self Driller XL	82353XX	1/4"	For panel attachment to steel framing
(B)		#10-14 x 1/2" Wood Screw XL	82123XX	1/2"	For panel attachment to wood sheathing or framing
(C)		1/4"-14 x 7/8" Stitch Screw XL	82368XX	7/8"	For trim attachment to panel

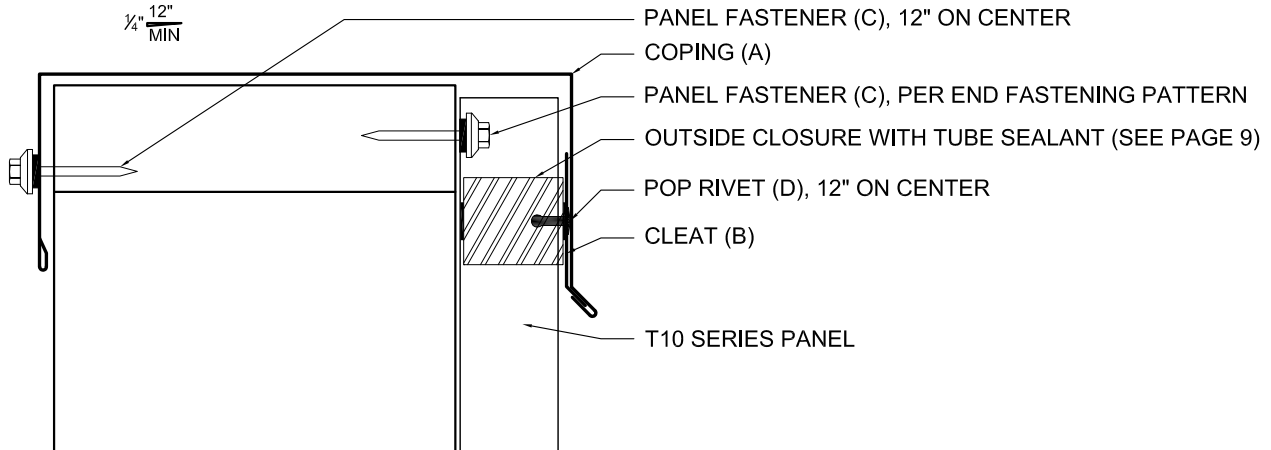


INSTALL ORDER

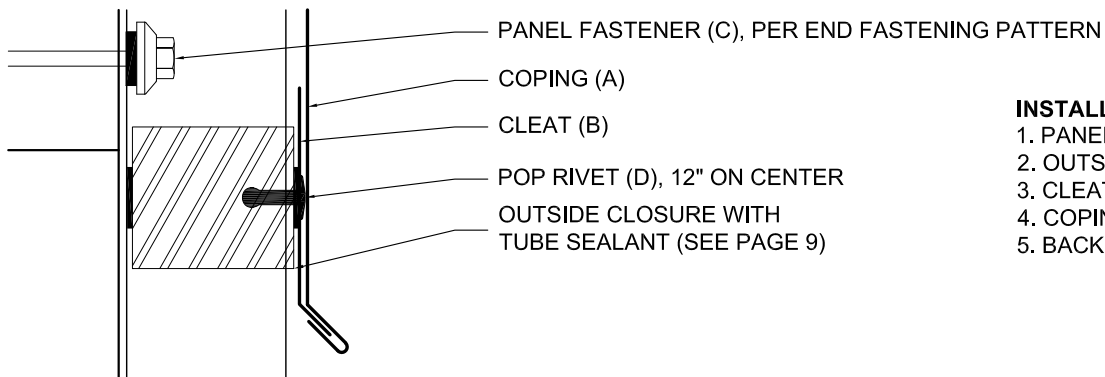
1. PANEL
2. CLEAT
3. COPING
4. BACK SIDE FASTENER

Part	Description	Product #	Length	Installation Information
<p>(A)</p>	<p>Coping, 24 Ga Coping, 22 Ga Coping, 0.032"</p>	<p>58026XX 60026XX 58026XXA</p>	<p>10'-2"</p>	<p>Hook Coping onto Cleat and attach on the back side with Panel Fastener.</p>
<p>(B)</p>	<p>Cleat, 24 Ga Cleat, 22 Ga Cleat, 0.032"</p>	<p>5806099 59060XX 58060XXA</p>	<p>10'-2"</p>	<p>Locate and attach Cleat to panel with Pop Rivet.</p>
<p>(C)</p>	<p>#12-14 x $\frac{1}{4}"$ Self Driller XL</p>	<p>82353XX</p>	<p>$\frac{1}{4}"$</p>	<p>For panel attachment to steel framing</p>
<p>(C)</p>	<p>#10-14 x $\frac{1}{2}"$ Wood Screw XL</p>	<p>82123XX</p>	<p>$\frac{1}{2}"$</p>	<p>For panel attachment to wood sheathing or framing</p>
<p>(D)</p>	<p>$\frac{1}{8}"$ x $\frac{3}{8}"$ Pop Rivet</p>	<p>82409XX</p>	<p>$\frac{7}{8}"$</p>	<p>For Cleat attachment to panel</p>

ELEVATION VIEW



CLEAT DETAIL

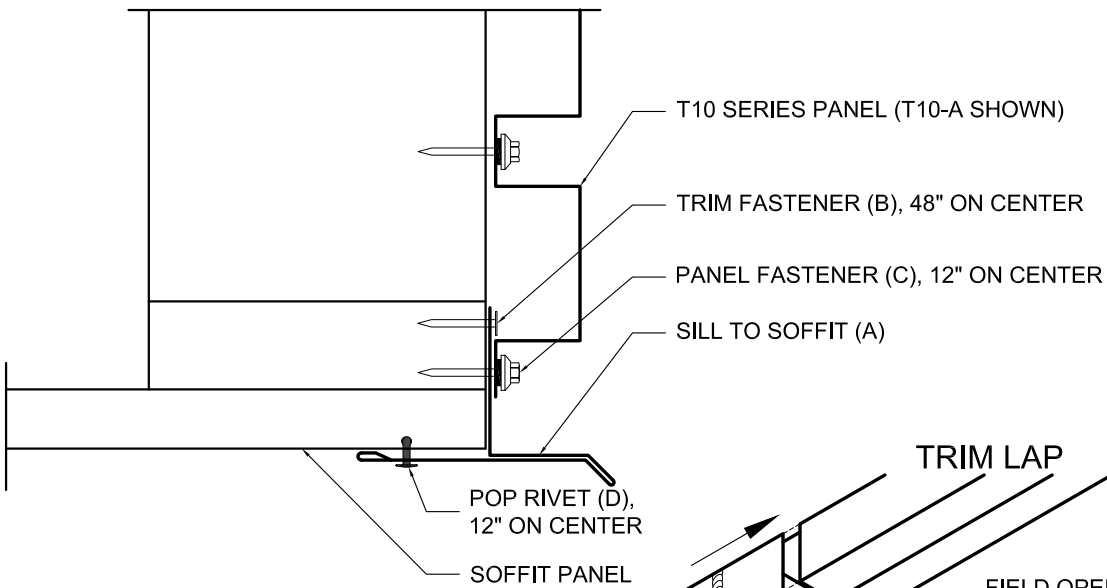


INSTALL ORDER

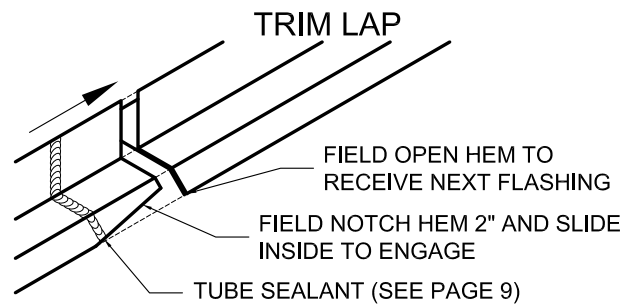
1. PANEL
2. OUTSIDE CLOSURE
3. CLEAT
4. COPING
5. BACK SIDE FASTENER

Part	Description	Product #	Length	Installation Information
<p>(A)</p>	Coping, 24 Ga Coping, 22 Ga Coping, 0.032"	58026XX 60026XX 58026XXA	10'-2"	Hook Coping onto Cleat and attach on the back side with Panel Fastener.
<p>(B)</p>	Cleat, 24 Ga Cleat, 22 Ga Cleat, 0.032"	5806099 59060XX 58060XXA	10'-2"	Locate and attach Cleat to panel with Pop Rivet at Outside Closure.
<p>(C)</p>	#12-14 x 1/4" Self Driller XL	82353XX	1/4"	For panel attachment to steel framing
<p>(C)</p>	#10-14 x 1/2" Wood Screw XL	82123XX	1/2"	For panel attachment to wood sheathing or framing
<p>(D)</p>	1/8" x 3/8" Pop Rivet	82409XX		For Cleat attachment to panel

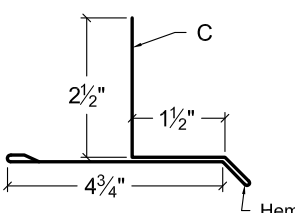
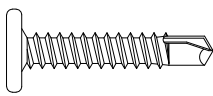
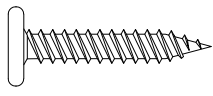
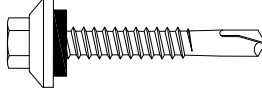

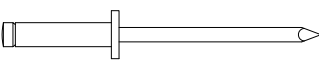
ELEVATION VIEW



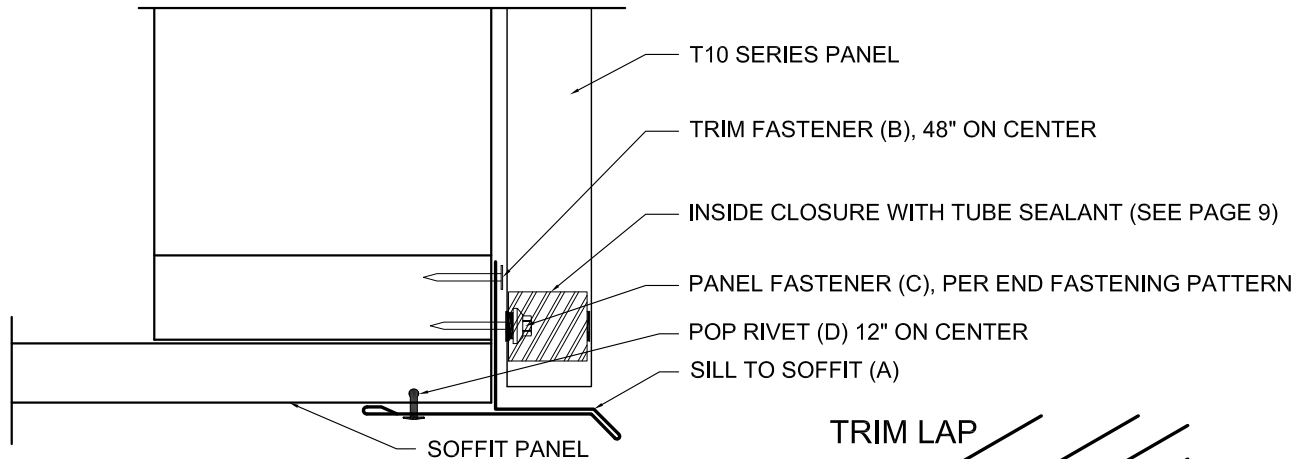
- INSTALL ORDER**
 1. SOFFIT PANEL
 2. SILL TO SOFFIT
 3. PANEL



NO FASTENERS THROUGH TRIM LAP

Part	Description	Product #	Length	Installation Information
(A) 	Sill To Soffit, 24 Ga Sill To Soffit, 22 Ga Sill To Soffit, 0.032"	58118XX 60118XX 58118XXA	10'-2"	Attach Sill To Soffit to the wall support with Trim Fastener and attach to soffit panel with Pop Rivet then install panel.
(B) 	#10-16 x 1" Pancake Head Driller	8242100	1"	For trim attachment to steel framing
(B) 	#10-12 x 1" Pancake Head Wood Screw	8243100	1"	For trim attachment to wood sheathing or framing
(C) 	#12-14 x 1 1/4" Self Driller XL	82353XX	1 1/4"	For panel attachment to steel framing
(C) 	#10-14 x 1 1/2" Wood Screw XL	82123XX	1 1/2"	For panel attachment to wood sheathing or framing
(D) 	1/8" x 3/8" Pop Rivet	82402XX		For trim attachment to soffit panel

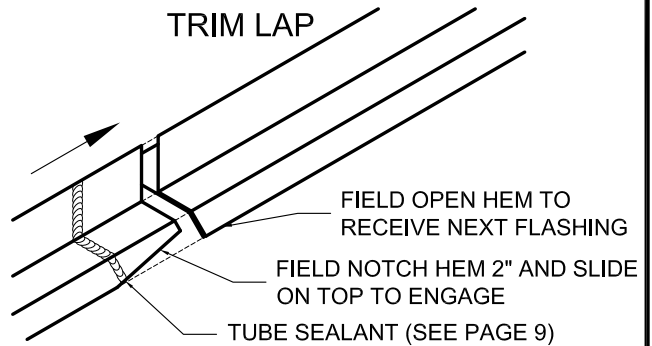
ELEVATION VIEW



INSTALL ORDER

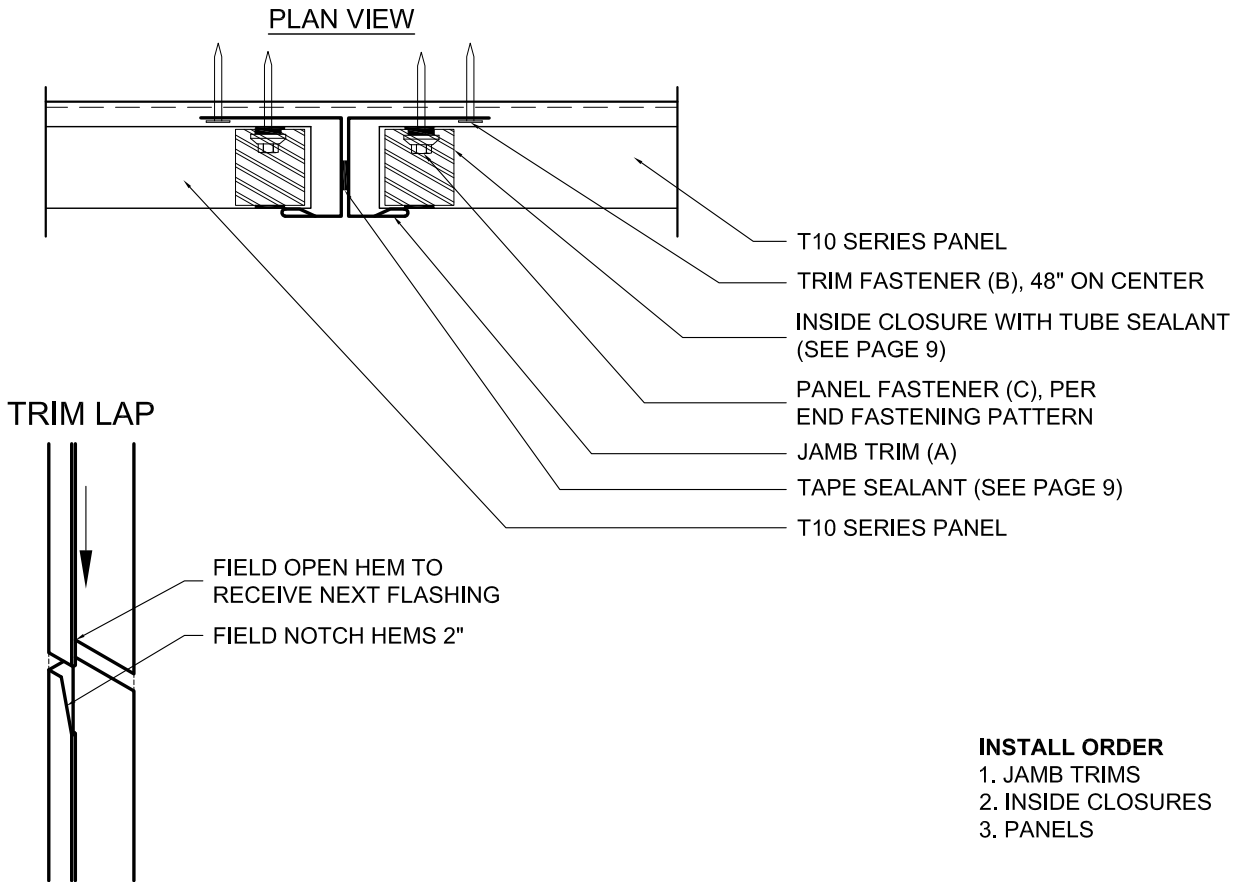
1. SOFFIT PANEL
2. SILL TO SOFFIT
3. INSIDE CLOSURE
4. PANEL

TRIM LAP



NO FASTENERS THROUGH TRIM LAP

Part	Description	Product #	Length	Installation Information	
(A)		Sill To Soffit, 24 Ga Sill To Soffit, 22 Ga Sill To Soffit, 0.032"	58118XX 60118XX 58118XXA	10'-2"	Attach Sill To Soffit to the wall support with Trim Fastener and attach to soffit panel with Pop Rivet then install panel.
(B)		#10-16 x 1" Pancake Head Driller	8242100	1"	For trim attachment to steel framing
(B)		#10-12 x 1" Pancake Head Wood Screw	8243100	1"	For trim attachment to wood sheathing or framing
(C)		#12-14 x 1/4" Self Driller XL	82353XX	1/4"	For panel attachment to steel framing
(C)		#10-14 x 1/2" Wood Screw XL	82123XX	1/2"	For panel attachment to wood sheathing or framing
(D)		1/8" x 3/8" Pop Rivet	82402XX		For Cleat attachment to soffit panel



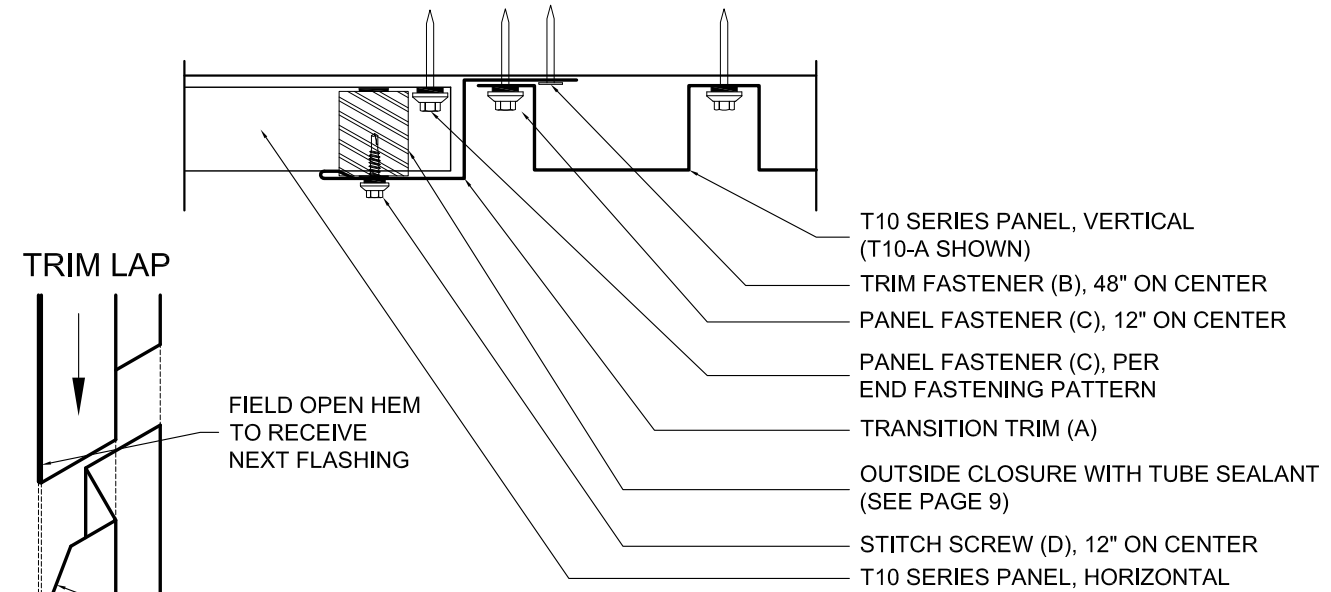
- INSTALL ORDER**
1. JAMB TRIMS
 2. INSIDE CLOSURES
 3. PANELS

NO FASTENERS THROUGH TRIM LAP

Part	Description	Product #	Length	Installation Information
<p>(A)</p>	<p>Jamb Trim, 24 Ga Jamb Trim, 22 Ga Jamb Trim, 0.032"</p>	<p>58671XX 60761XX 58671XXA</p>	10'-2"	Place and attach Jamb Trims with Tape Sealant between.
<p>(B)</p>	#10-16 x 1" Pancake Head Driller	8242100	1"	For trim attachment to steel framing
<p>(B)</p>	#10-12 x 1" Pancake Head Wood Screw	8243100	1"	For trim attachment to wood sheathing or framing
<p>(C)</p>	#12-14 x 1 1/4" Self Driller XL	82353XX	1 1/4"	For panel attachment to steel framing
<p>(C)</p>	#10-14 x 1 1/2" Wood Screw XL	82123XX	1 1/2"	For panel attachment to wood sheathing or framing

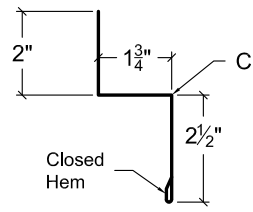
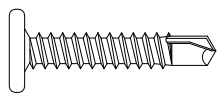
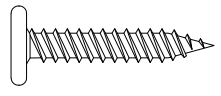
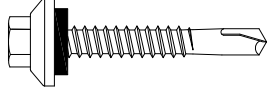

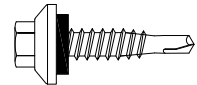
to Vertical Panels

PLAN VIEW

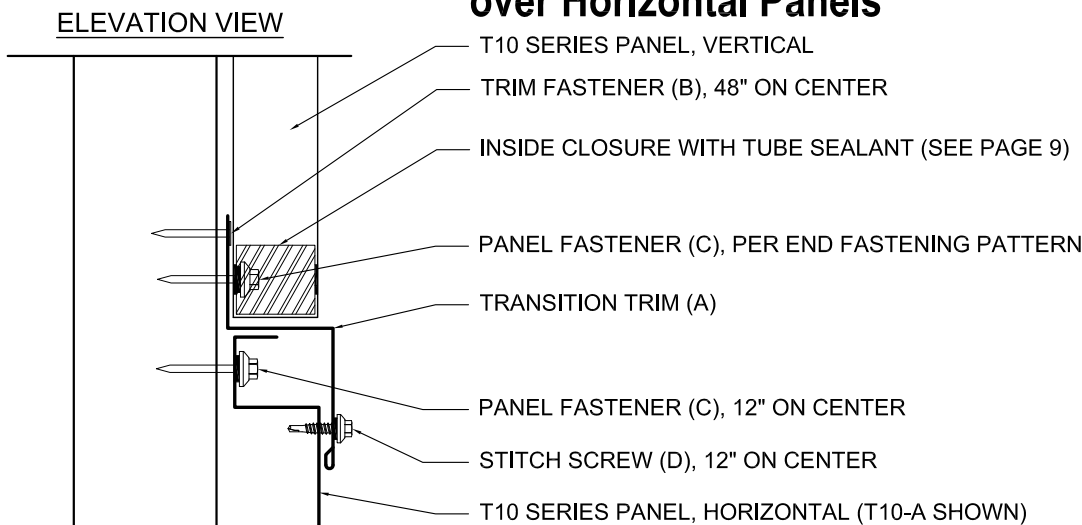


- INSTALL ORDER**
1. HORIZONTAL PANEL
 2. OUTSIDE CLOSURE
 3. TRANSITION TRIM
 4. STITCH SCREW
 5. VERTICAL PANEL

NO FASTENERS THROUGH TRIM LAP

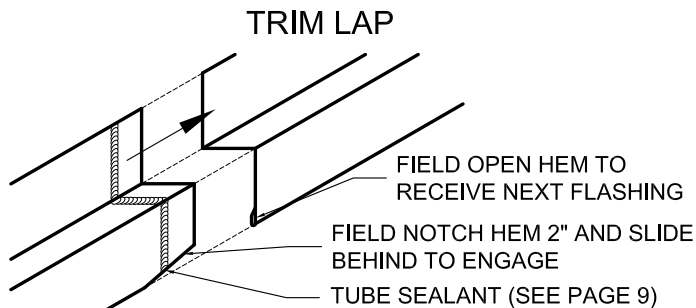
Part	Description	Product #	Length	Installation Information
(A) 	Transition Trim, 24 Ga Transition Trim, 22 Ga Transition Trim, 0.032"	58738XX 60738XX 58738XXA	10'-2"	Install Transition Trim over horizontal panel and attach with Stitch Screw.
(B) 	#10-16 x 1" Pancake Head Driller	8242100	1"	For trim attachment to steel framing
(B) 	#10-12 x 1" Pancake Head Wood Screw	8243100	1"	For trim attachment to wood sheathing or framing
(C) 	#12-14 x 1/4" Self Driller XL	82353XX	1 1/4"	For panel attachment to steel framing
(C) 	#10-14 x 1/2" Wood Screw XL	82123XX	1 1/2"	For panel attachment to wood sheathing or framing
(D) 	1/4"-14 x 7/8" Stitch Screw XL	82368XX	7/8"	For trim attachment to panel

over Horizontal Panels



INSTALL ORDER

1. HORIZONTAL PANEL
2. TRANSITION TRIM
3. STITCH SCREW
4. INSIDE CLOSURE
5. VERTICAL PANEL

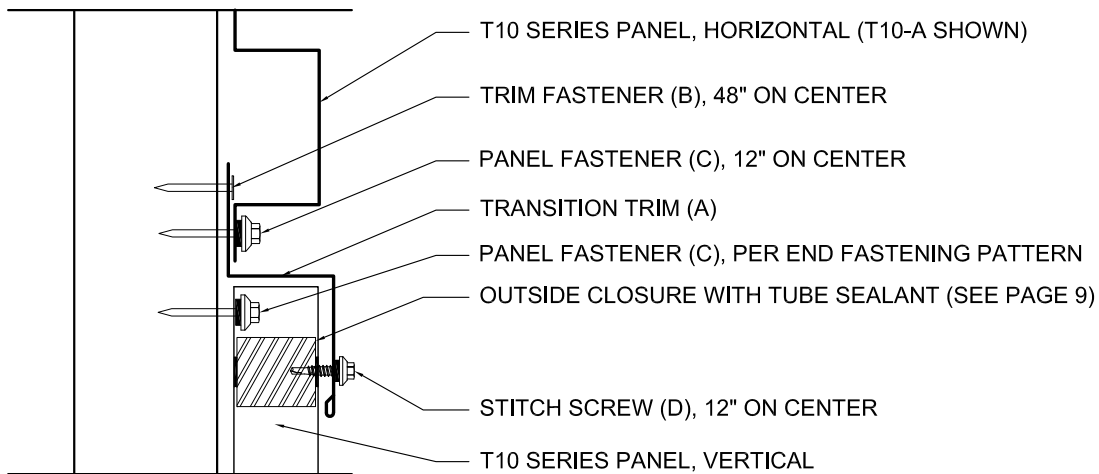


NO FASTENERS THROUGH TRIM LAP

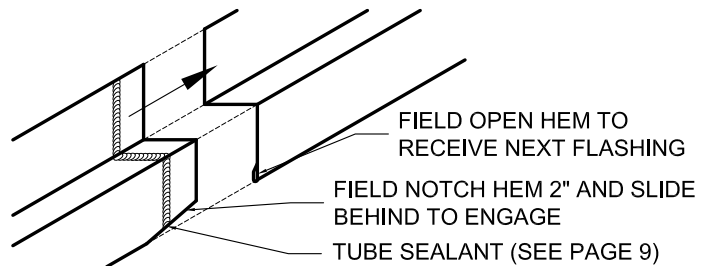
Part	Description	Product #	Length	Installation Information
<p>(A)</p>	Transition Trim, 24 Ga Transition Trim, 22 Ga Transition Trim, 0.032"	58738XX 60738XX 58738XXA	10'-2"	Install Transition Trim over horizontal panel and attach with Stitch Screw.
<p>(B)</p>	#10-16 x 1" Pancake Head Driller	8242100	1"	For trim attachment to steel framing
<p>(B)</p>	#10-12 x 1" Pancake Head Wood Screw	8243100	1"	For trim attachment to wood sheathing or framing
<p>(C)</p>	#12-14 x 1/4" Self Driller XL	82353XX	1/4"	For panel attachment to steel framing
<p>(C)</p>	#10-14 x 1/2" Wood Screw XL	82123XX	1/2"	For panel attachment to wood sheathing or framing
<p>(D)</p>	1/4"-14 x 7/8" Stitch Screw XL	82368XX	7/8"	For trim attachment to panel

Horizontal Panels over Vertical Panels

ELEVATION VIEW



TRIM LAP



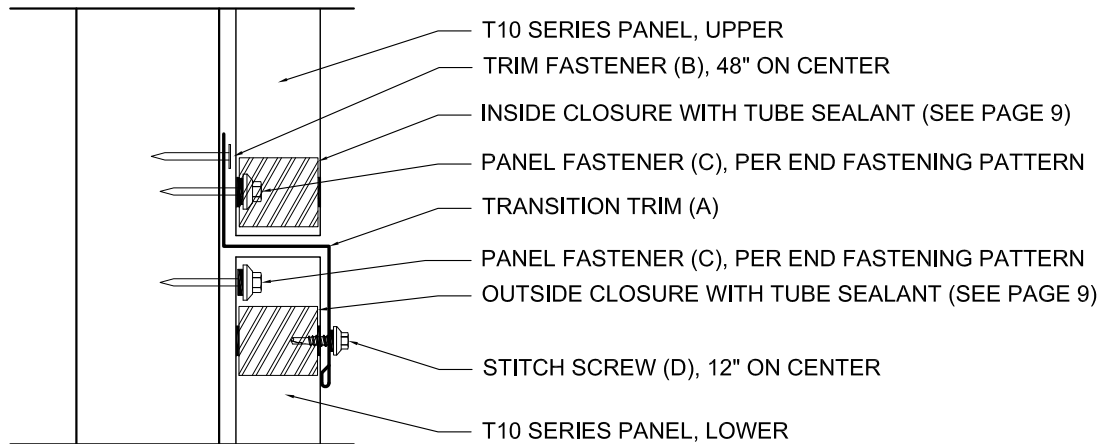
NO FASTENERS THROUGH TRIM LAP

INSTALL ORDER

1. VERTICAL PANEL
2. OUTSIDE CLOSURE
3. TRANSITION TRIM
4. STITCH SCREW
5. HORIZONTAL PANEL

	Part	Description	Product #	Length	Installation Information
(A)		Transition Trim, 24 Ga Transition Trim, 22 Ga Transition Trim, 0.032"	58738XX 60738XX 58738XXA	10'-2"	Install Transition Trim over vertical panel and attach with Stitch Screw at Outside Closure.
(B)		#10-16 x 1" Pancake Head Drill	8242100	1"	For trim attachment to steel framing
(B)		#10-12 x 1" Pancake Head Wood Screw	8243100	1"	For trim attachment to wood sheathing or framing
(C)		#12-14 x 1/4" Self Driller XL	82353XX	1/4"	For panel attachment to steel framing
(C)		#10-14 x 1/2" Wood Screw XL	82123XX	1/2"	For panel attachment to wood sheathing or framing
(D)		1/4"-14 x 7/8" Stitch Screw XL	82368XX	7/8"	For trim attachment to panel

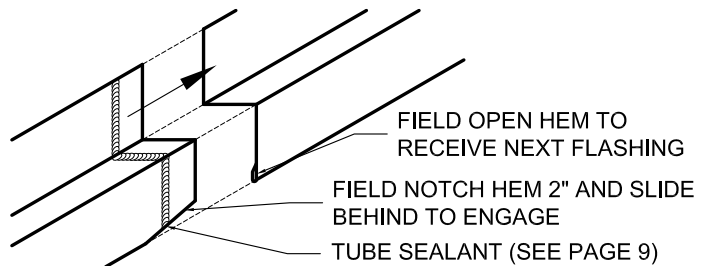
ELEVATION VIEW



INSTALL ORDER

1. LOWER PANEL
2. OUTSIDE CLOSURE
3. TRANSITION TRIM
4. STITCH SCREW
5. INSIDE CLOSURE
6. UPPER PANEL

TRIM LAP



NO FASTENERS THROUGH TRIM LAP

Part	Description	Product #	Length	Installation Information
(A)	Transition Trim, 24 Ga Transition Trim, 22 Ga Transition Trim, 0.032"	58738XX 60738XX 58738XXA	10'-2"	Install Transition Trim over lower panel and attach with Stitch Screw at Outside Closure.
(B)	#10-16 x 1" Pancake Head Driller	8242100	1"	For trim attachment to steel framing
(B)	#10-12 x 1" Pancake Head Wood Screw	8243100	1"	For trim attachment to wood sheathing or framing
(C)	#12-14 x 1/4" Self Driller XL	82353XX	1/4"	For panel attachment to steel framing
(C)	#10-14 x 1/2" Wood Screw XL	82123XX	1/2"	For panel attachment to wood sheathing or framing
(D)	1/4"-14 x 7/8" Stitch Screw XL	82368XX	7/8"	For trim attachment to panel

Though factory-applied pre-painted finishes are very durable and will last many years, eventually it may be desirable to thoroughly clean or repaint them.

Dirt pickup may cause apparent discoloration of the paint when it has been exposed in some dirt-laden atmospheres for long periods of time. In areas of strong sunlight, slight chalking may cause some change in appearance. A good cleaning will often restore the appearance of these buildings and render repainting unnecessary. An occasional light cleaning will help maintain a good appearance.

In many cases, simply washing the building with plain water using a hose or pressure sprayer will be adequate. In areas where heavy dirt deposits dull the surface, a cloth or soft bristle brush and solution of water and detergent ($\frac{1}{3}$ cup of laundry detergent per gallon of water for example) may be used. This should be followed by an adequate rinse of water. Do not use wire brushes, abrasives, or cleaning tools which will scratch the coating surface.

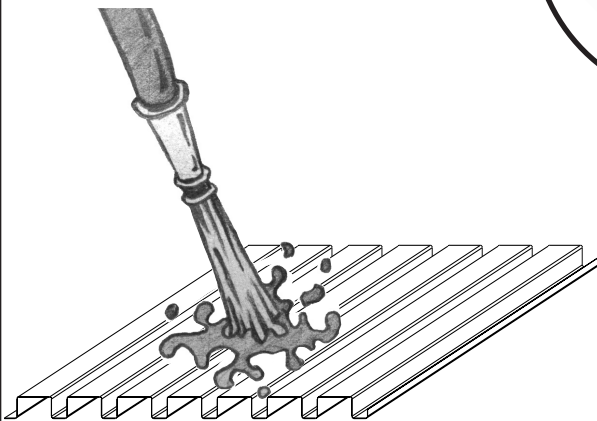
Mildew may occur in areas subject to high humidity but is not normally a problem due to the high inherent mildew resistance of the baked finish that is used. However, mildew can grow on dirt and spore deposits in some cases. To remove mildew along with the dirt, the following solution is recommended.

- $\frac{1}{3}$ cup detergent (Tide® or equivalent)
- $\frac{2}{3}$ cup trisodium phosphate (Solex® or equivalent)
- 1 quart of 5% sodium hypochlorite solution (Clorox® or equivalent)
- 3 quarts of water

Strong solvents and abrasive type cleaners should be avoided. Most organic solvents are flammable and toxic, and must be handled accordingly. When using a solvent, consult maintenance professionals and label instructions for proper handling and disposal of washings. If required, a mild solvent such as mineral spirits can be used to remove caulking compounds, oil, grease, tars, wax and similar substances. Use a cloth dampened with mineral spirits and apply only to areas which are contaminated. Follow up the use of this mild solvent with detergent cleaning and rinsing.



**DO NOT USE A
WIRE BRUSH**



**HOSE OR PRESSURE SPRAY
FOR ADEQUATE CLEANING**



**USE MILD DETERGENT AND WATER
FOR HEAVY DIRT DEPOSITS**

