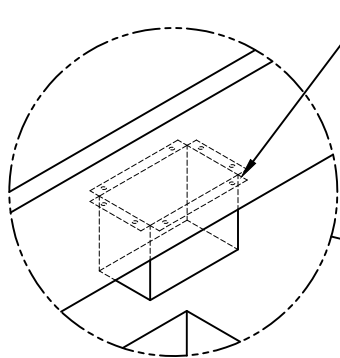


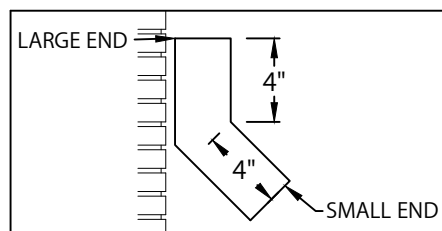
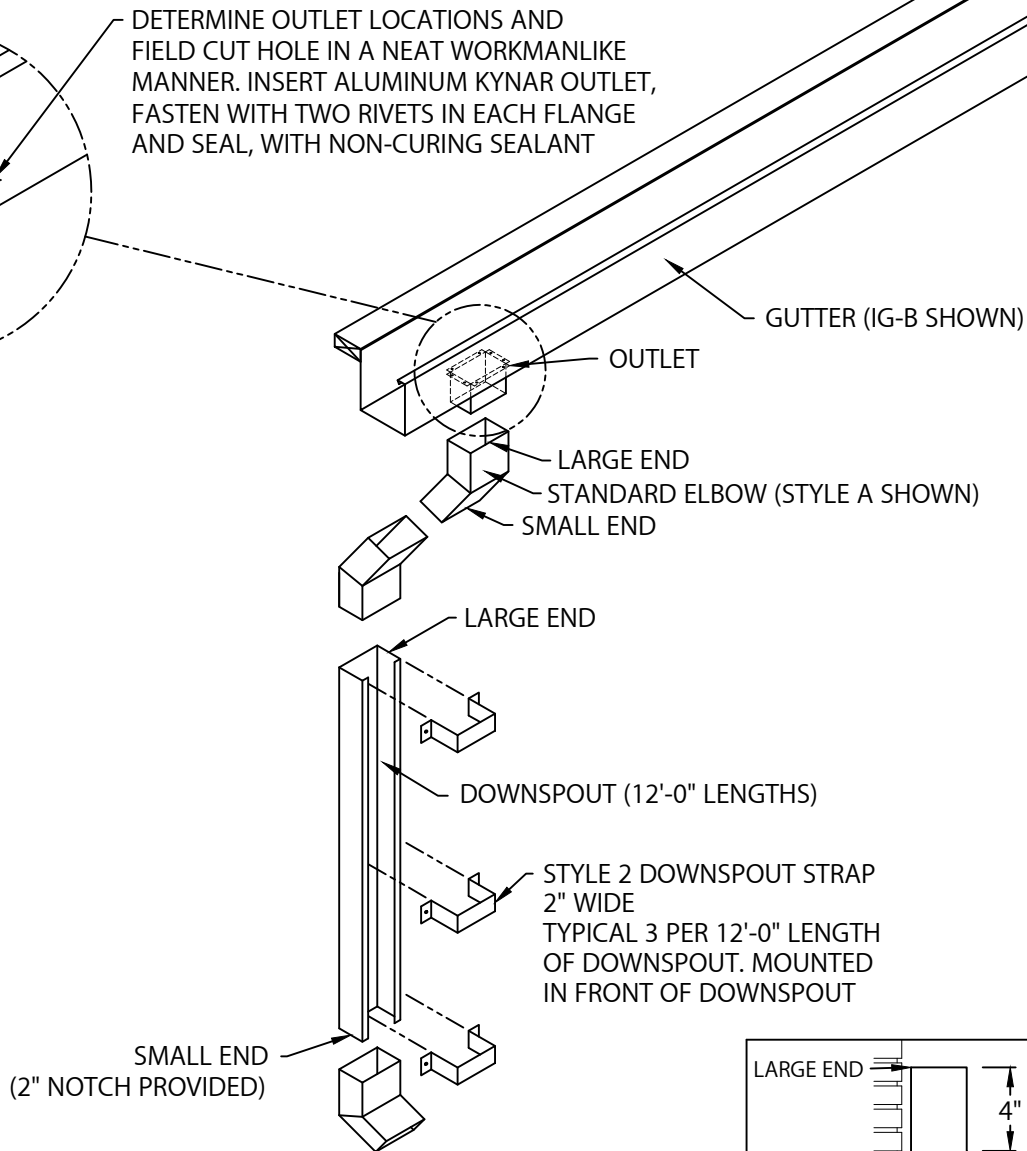
INDUSTRIAL DOWNSPOUT

OPEN DOWNSPOUT, STYLE 2 DOWNSPOUT STRAP VERSION

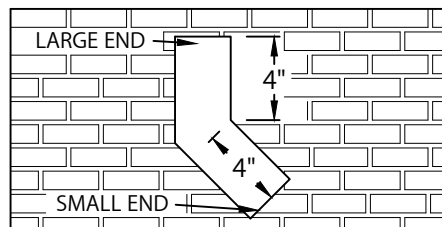
INSTALLATION INSTRUCTIONS



DETERMINE OUTLET LOCATIONS AND FIELD CUT HOLE IN A NEAT WORKMANLIKE MANNER. INSERT ALUMINUM KYNAR OUTLET, FASTEN WITH TWO RIVETS IN EACH FLANGE AND SEAL, WITH NON-CURING SEALANT



STYLE A DOWNSPOUT



STYLE B DOWNSPOUT



DOWNSPOUT SECTION



1195 PRINCE HALL DRIVE
 BELIOT, WI 53511
 800-786-1492
 WWW.MULEHIDE.COM

DATE: 04/12/24
 DRN BY: MLM
 CKD BY: MM

SHT.# ___ OF ___
 DWG# 52113-42698

A