

EPDM

POCKET GUIDE



"The name trusted in roofing since 1906"

Mule Hide Products EPDM Field Installation Guide Mechanically Fastened and Fully Adhered Systems

July 2017

<u>Insulation Attachment</u>	Page
Minimum Fastening Requirements (Fully Adhered)	5

Mechanically Attached Sheet Layout

Sheet Fastening Guidelines.....	6
Perimeter Enhancement Requirements.....	8
Perimeter Sheet Layout (MHE-191).....	10
Perimeter Sheet Layout – W/RMS (MHE-192).....	11
Buildings with Large Wall Openings (MHT-MA-103A)	12
Buildings with Overhangs (MHT-MA-103B).....	13
Roof Perimeter Calculation (MHT-UN-108A).....	14
Roof Perimeter Calculation (MHT-UN-108B).....	15

Mechanically Fastened Lap Details

8" Seam-2" Barbed Plates Adhesive (MHE-112)	16
6" Seam-2" Barbed Plates-6" Tape * (MHE-112A).....	17
6" Seam-A-P 40 Bar-6" Tape * (MHE-112B).....	18
7" Seam-A-P Bar-Adhesive (MHE-113)	19
7" Seam-A-P Bar-Tape * (MHE-114)	20
7" Seam-A-P-40 Bar-Tape * (MHE-114A).....	21

Roof Edge Treatment

Drip Apron * (MHE-101)	22
Drip Apron/Gutter (MHE-102).....	23
All Purpose Bar * (MHE-103)	24
Ballasted Retainer * – (MHE-104)	25
Gravel Stop "Snap Lock" * (MHE-105).....	26
Gravel Stop * (MHE-106)	27
Gravel Stop "Scupper" (MHE-107).....	28
Drip Edge at Mansard (MHE-108)	29
1-3/4" Metal Fascia System (MHSM-3500)	30
4" Metal Fascia System (MHSM-3510).....	31
Pre-Manufactured Gravel Stop - EPDM (MHE-3130)	32
2-Piece Compression Edge - EPDM (MHE-3110A)	33
2-Piece Compression Edge - EPDM (MHE-3110B).....	34
2-Piece Compression Edge - EPDM (MHE-3110C).....	35
2-Piece Compression Edge Large - EPDM (MHE-3115A).....	36
2-Piece Compression Edge Large - EPDM (MHE-3115B).....	37
2-Piece Compression Edge Large - EPDM (MHE-3115C).....	38
Flat Coping with Continuous Cleat (MHSM-6050).....	39
Canted Coping with Continuous Cleat (MHSM-6052).....	40
Snap Coping (MHSM -6054A).....	41
Snap Coping (MHSM -6054B).....	42
Arched Coping with Splice Plate (MHSM-6056)	43
Reglet Counterflashing (MHSM-6130).....	44

2-Piece Reglet Counterflashing (MHSM-6145).....	45
Surface Mounted Counterflashing (MHSM-6146)	46
Gutter Attachment X-Series (MHSM-2091)	47

Splices/RMS

3" Seam-Adhesive (MHE-110)	48
3" Seam-3" Tape (MHE-111)	49
3" Seam-Cover Tape * (MHE-111A).....	50
6" Seam-6" Tape (MHE-111B)	51
6" Seam-Adhesive (MHE-115)	52
End Laps and "T" Joints (MHE-118)	53
RMS Strip – Fastener Layout (MHE-119)	54
RMS Strip-Tape-Fastener Layout * (MHE-119A).....	55

Parapet/Curb Flashing

A-P Bar-Vertical-Adhesive (MHE-120)	56
A-P Bar-Vertical-3" Tape (MHE-120A)	57
A-P Bar-Vertical-Cover Tape * (MHE-120B).....	58
A-P Bar-Vertical-6" Tape * (MHE-120C).....	59
2" Barbed Plates-Vertical-Adhesive (MHE-121)	60
2" Barbed Plates-Vertical-3" Tape (MHE-121A)	61
2" Barbed Plates-Vertical- cover Tape * (MHE-121B).....	62
2" Barbed Plates-Vertical-6" Tape * (MHE-121C)	63
A-P Bar-Horizontal-Adhesive (MHE-122).....	64
A-P Bar-Horizontal-3" Tape (MHE-122A)	65
A-P Bar-Horizontal-Cover Tape * (MHE-122B)	66
A-P Bar-Horizontal-6" Tape * (MHE-122C)	67
2" Barbed Plate-Horizontal-Adhesive (MHE-123).....	68
2" Barbed Plate-Horizontal-3" Tape (MHE-123A).....	69
2" Barbed Plate-Horizontal-Cover Tape* (MHE-123B)	70
2" Barbed Plate-Horizontal-6" Tape* (MHE-123C)	71
RMS Strip-Vertical - Tape * (MHE-124A)	72
RMS Strip-Horizontal-Tape * (MHE-125A)	73

Drains

Roof Drain * (MHE-130).....	74
Roof Drain – Tapered * (MHE-131)	75
Roof Drain W/Sump (MHE-132)	76
Drain Insert (MHE-133)	77
Through Wall Scupper (MHE-134B).....	78
Through Wall Overflow (MHE-135)	79

Pipe Flashings

Premolded Pipe Boot-MA Tape * (MHE-140A)	80
Premolded Pipe Boot Tape * (MHE-140C)	81
Field Fabricated Pipe-Adhesive (MHE-141).....	82
Field Fabricated Hot Pipe-Adhesive (MHE-142)	83
Field Fabricated Pitch Pan-Adhesive (MHE-143)	84
Pourable Sealer Pocket * (MHE-144).....	85

Expansion Joints

Field Joint * (MHE-150)	86
Existing Field Joint "A" (MHE-151)	87
Existing Field Joint "B" (MHE-152)	88
Field Joint – RMS Strip Tape * (MHE-153B)	89
Deck to Wall Joint "A"-RMS -Tape * (MHE-154B)	90
Deck to Wall Joint "B"-RMS -Tape * (MHE-155A)	91
Deck to Wall Joint "C"-Adhesive * (MHE-156A)	92
Deck to Wall Joint "C"-Tape * (MHE-156B)	93
Curb/Firewall-Adhesive (MHE-157A)	94
Curb/Firewall-Tape * (MHE-157B)	95

EPDM Tie-ins

EPDM/BUR-Envelope (MHE-160A)	96
EPDM/BUR-Envelope W/Tape (MHE-160B)	97
EPDM/BUR (Smooth) (MHE-161A)	98
EPDM/BUR (Smooth) W/Tape (MHE-161B)	99
Hot Stripping (MHE-162)	100
EPDM/Shingles - W/RMS & Tape (MHE-163A)	101
EPDM/Shingles - A-P Bar (MHE-164)	102

Vertical Terminations

All Purpose Bar (A-P Bar) (MHE-170)	103
Reglet (MHE-171)	104
Metal Coping (MHE-172)	105
Counter Flashing (MHE-173)	106
Counter Flashing W/A-P Bar * (MHE-174)	107
Stone Coping * (MHE-175)	108

Miscellaneous

Roof Hatch with Foam Rod (MHE-UN-176)	109
Roof Hatch with Counterflashing (MHE-UN-177)	110
Lightning Rod, Vertical (MHE-180)	111
Lightning Rod, Horizontal (MHE-181)	112
Sleeper (MHE-182)	113
Outside Corner * (MHE-183)	114
Inside Corner * (MHE-184)	115
Outside Corner – 1 Piece (MHE-186)	116
Ridge Attachment - RMS (MHE-190)	117

90-Mil EPDM Details

Metal-Era Perma-Tite Edge (MHE-500)	118
Metal-Era Anchor-Tite Edge (MHE-501)	119
Drip Edge (MHE-502)	120
All Purpose Bar at Roof Edge (MHE-503)	121
Membrane Splice ("T" Joint) (MHE-508)	122
Field Fabricated Pipe Seal (MHE-509)	123
Flexible Penetration (MHE-510)	124
Field Fabricated Hot Stack (MHE-511)	125

Premolded Pipe Boot (MHE-512).....	126
Curb Flashing and Outside Corner (MHE-513).....	127
Inside Corner w/ Separate Flashing (MHE-514).....	128
Inside Corner w/ Continuous Flashing (MHE-515).....	129
Outside Corner w/ Uncured Tape (MHE-516).....	130
Pourable Sealer Pocket w/ Hood (MHE-517).....	131
Pourable Sealer Pocket (Double) (MHE-518).....	132
Penetration Curb Detail (MHE-519).....	133
End Lap & "T" Joint Patches (MHE-520).....	134
Wall Flashing w/ End Lap (MHE-521).....	135
Vertical Flashing Terminations (MHE-522).....	136

Insulation Attachment Patterns/Guidelines

Extruded Polystyrene Insulations (MHT-MA-700).....	137
Insulation Attachment Patterns (MHT-MA-701).....	138
Mule-Hide – 8 Field Fasteners (MHT-FA-720).....	139
Mule-Hide – 12 Field Fasteners (MHT-FA-721).....	140
Mule-Hide – 16 Field Fasteners (MHT-FA-722).....	141
Mule-Hide – 17 Field Fasteners (MHT-FA-723).....	142
Factory Mutual – 8 Field Fasteners (MHT-FM-724).....	143
Factory Mutual – 12 Field Fasteners (MHT-FM-725).....	144
Factory Mutual – 16 Field Fasteners (MHT-FM-726).....	145
Factory Mutual – 17 Field Fasteners (MHT-FM-727).....	146
Helix Foam – 4" Bead Spacing (MHHA-UN-4).....	147
Helix Foam – 6" Bead Spacing (MHHA-UN-6).....	148
Helix Foam – 12" Bead Spacing (MHHA-UN-12).....	149

**Fully Adhered EPDM Minimum Insulation Fastening
Requirements
Standard Wind Speed (55 MPH coverage)**

Insulation Type or Overlay	Fasteners per 4' x 8' board		
	Field	Perimeter	Corner
Approved Polyisocyanurate - Min 2" thick (top layer)	8	12	16
Approved Polyisocyanurate - Min 1.5" up to 2" thick	12	18	24
Approved Polyisocyanurate - Min 1.0" up to 1.5" thick	16	24	32
½" HD Poly-Iso - Installed over Approved Insulation	16	24	32
HD Fiberboard - Min 1/2" thick- Installed over Approved Insulation	16	24	32
Dens Deck Prime or Securock - Min 1/4" thick - Installed over Approved Insulation	12	18	24
OSB - Min 7/16" thick - Installed over Approved Insulation	17	25	32
Approved OSB/Polyisocyanurate Composite - Min 2" thick	17	25	32

Mechanically Attached EPDM Minimum Membrane Fastening Requirements Standard Wind Speed (55 MPH coverage)

Membrane / Adhesive Type / Other (10 or 15 year warranty)

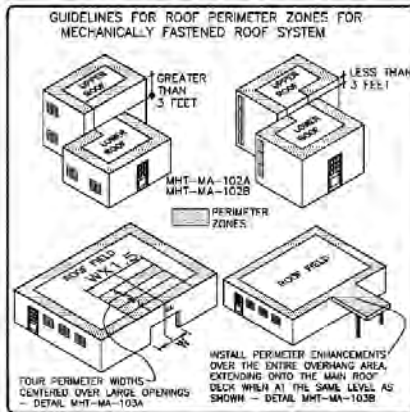
1. 0.045" or 0.060" thick Mule-Hide EPDM Reinforced Black Membranes.
2. Field seams: In-Seam Tape & Primer (6" or two strips of 3")
3. Field seams: Max 10-Year Warranty - Splice Adhesive with Membrane Cleaner/Tape Primer
4. All 'T' joints overlaid with EPDM uncured flashing tape.

Membrane / Adhesive Type / Other (20 year warranty)

1. 0.060" thick Mule-Hide EPDM Reinforced Membrane
2. Field seams: 6" In-Seam Tape & Primer
3. RMS and Tape Primer must be used at base of all parapet walls.
4. All 'T' joints overlaid with T-joint covers or EPDM uncured flashing tape.
5. Inside and outside corners:
 - Mule-Hide Pre-Cut Inside/Outside corners
 - Mule-Hide EPDM uncured flashing tape – minimum 9" x 9"

Roof Deck	Roof Height	Width of Field Sheet	Fastener Spacing
Steel Roof Decks			
Steel Min 22 gauge	Up to 50'	10'	6" oc
		8'	12" oc
Steel – Less than 22 gauge	Up to 50'	Pull test required Contact Mule-Hide for additional Information	
Wood Roof Decks			
2X Plank ¾" Plywood	Up to 50'	10'	6" oc
		8'	12" oc
5/8" Plywood	Up to 50'	10'	6" oc
		8'	12" oc
½" Plywood 1X Plank	Up to 50'	10'	6" oc
		8'	6" oc
OSB	Up to 50'	Contact Mule-Hide Technical Department prior to starting work	
Structural Concrete Roof Decks			
2500 psi 2" Min Pour or Precast	Up to 50'	10'	6" oc

Perimeter Enhancement Requirements Mechanically Attached System With 55-MPH Wind Speed Coverage



Limitations	
Contact Mule-Hide for all projects requiring specific Factory Mutual or Building Code compliance such as Florida Product Approval, Texas Department of Insurance, etc.	For buildings 100 ft. or less in height, located in urban, rural or suburban exposure areas. Not applicable for coastal or high wind areas. Maximum design wind speed of 100-MPH.
Building Height	Minimum Perimeter
0 - 34 ft	1 Perimeter sheet (1)(2)
	1 Perimeter enhancement width (3)
35 – 100 ft	2 Perimeter sheets (1)(2) (wind zones up to 100 mph)
	2 Perimeter Enhancement Widths (2) (wind zones up to 100 mph)
Higher than 100 ft. or higher wind zones.	Contact Mule-Hide Tech. Dept.
Projects in exposure D category (coastal areas)	Contact Mule-Hide Tech. Dept.
Roof edges along interior walls or roof edges with 8 ft. or higher walls. (Walls extend above the roof level)	No perimeter enhancement required

FM Approval

For buildings where FM approved securement is required and for buildings that do not meet the "Limitations" stated above.

Install perimeter enhancements throughout the corner/perimeter areas of the roof. The width of these areas is determined by the lesser of the following two calculations:

a. $0.1 \times$ the building width =

or

b. $0.4 \times$ the building height =

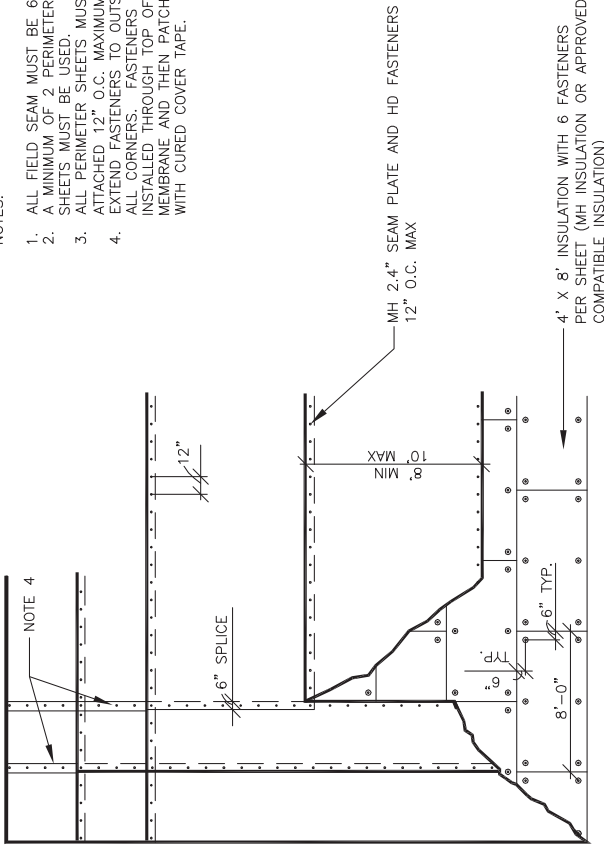
In no event shall the perimeter/corners be less than 4ft.

Notes:

- When using Mule-Hide standard sheet widths:
 - 8' wide field sheets use 9" RMS no less than 4' no larger than 4'9"
 - 10' wide field sheets use 9" RMS no less than 5' no more than 6'
- If the contractor elects to cut perimeter sheets from scrap membrane, the perimeter sheet dimension MUST be as follows:
 - 8' wide field sheet – no less than 4' wide to no larger than 4'-9" wide perimeter sheet
 - 10' wide field sheet – no less than 5' wide to no more than 6' wide perimeter sheet c.
- Perimeter enhancement widths are used when the 10" RUSS and/or plates/fasteners through the membrane methods are utilized for perimeters.

NOTES:

1. ALL FIELD SEAM MUST BE 6" WIDE.
2. A MINIMUM OF 2 PERIMETER SHEETS MUST BE USED.
3. ALL PERIMETER SHEETS MUST BE ATTACHED 12" O.C. MAXIMUM.
4. EXTEND FASTENERS TO OUTSIDE AT ALL CORNERS. FASTENERS MAY BE INSTALLED THROUGH TOP OF MEMBRANE AND THEN PATCHED WITH CURED COVER TAPE.



**MULE-HIDE
PRODUCTS CO., INC.**
2010

PERIMETER SHEET ATTACHMENT

**SYSTEMS:
MECHANICALLY ATTACHED**

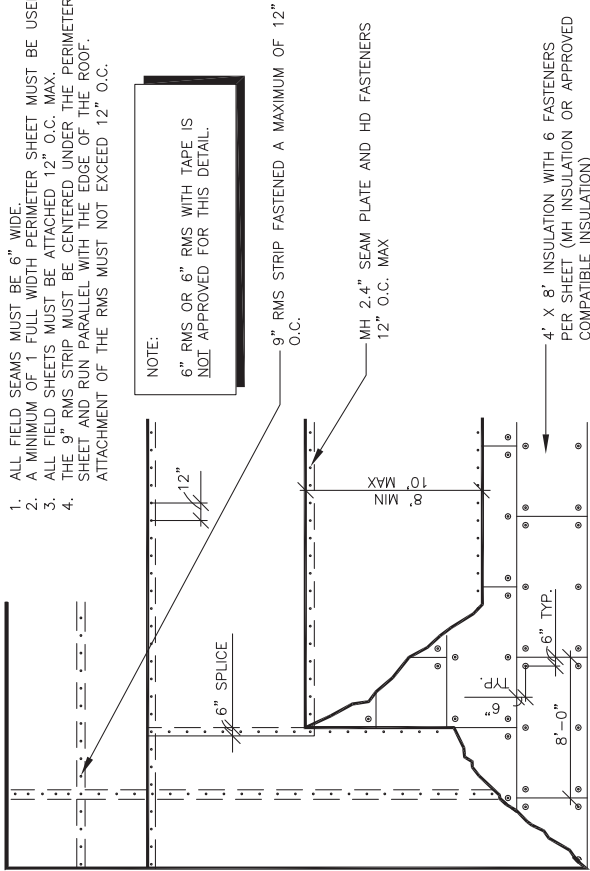
DETAIL NO.:

MHE-191

NOTES:

1. ALL FIELD SEAMS MUST BE 6" WIDE.
2. A MINIMUM OF 1 FULL WIDTH PERIMETER SHEET MUST BE USED.
3. ALL FIELD SHEETS MUST BE ATTACHED 12" O.C. MAX.
4. THE 9" RMS STRIP MUST BE CENTERED UNDER THE PERIMETER SHEET AND RUN PARALLEL WITH THE EDGE OF THE ROOF. ATTACHMENT OF THE RMS MUST NOT EXCEED 12" O.C.

NOTE:
6" RMS OR 6" RMS WITH TAPE IS NOT APPROVED FOR THIS DETAIL.



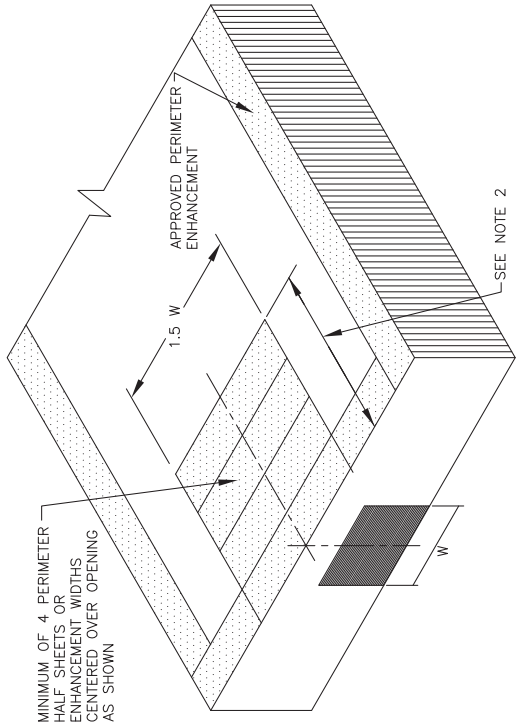
**PERIMETER ENHANCEMENT
FULL SHEET WITH 9" RMS
SYSTEMS:
MECHANICALLY ATTACHED**

DETAIL NO.:
MHE-192
REVISION DATE: 11/2014

**MULE-HIDE
PRODUCTS CO., INC.**

NOTES:

1. WHEN ANY WALL CONTAINS MAJOR OPENINGS WITH A COMBINED AREA WHICH EXCEEDS 10% OF THE TOTAL WALL AREA ON WHICH THE OPENINGS ARE LOCATED, A MINIMUM OF 4 PERIMETER HALF SHEETS OR ENHANCEMENT WIDTHS MUST BE CENTERED OVER THE OPENING.
2. THE DEPTH OF THE PERIMETER ENHANCEMENT MUST BE A MINIMUM OF 2.5 TIMES THE WIDTH OF THE OPENING OR 4 PERIMETER HALF SHEETS/ENHANCEMENT WIDTHS, WHICHEVER IS LARGER.
3. AS AN OPTION, AN ADHERED MEMBRANE SECTION MAY BE USED IN LIEU OF THE MECHANICALLY FASTENED MEMBRANE AT LARGE OPENINGS IN ACCORDANCE WITH THE MULE-HIDE FULLY ADHERED TPO ROOF SYSTEM SPECIFICATION.
4. REFER TO TECHNICAL BULLETIN #TPO-MA02-2006 FOR PERIMETER ENHANCEMENT REQUIREMENTS.

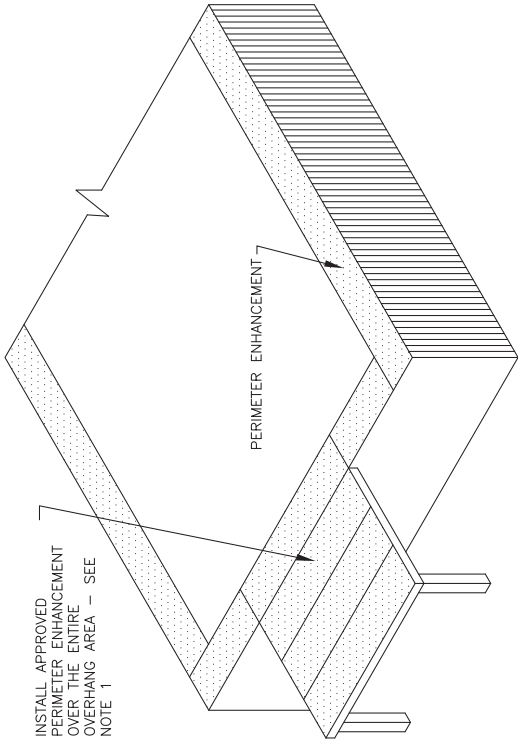


SHEET LAYOUT ON BUILDINGS WITH LARGE OPENINGS SYSTEMS:
MECHANICALLY ATTACHED

DETAIL NO.:
MHT-MA-103A
 REVISION DATE: 10/2013

MULE-HIDE PRODUCTS CO., INC.

INSTALL APPROVED PERIMETER ENHANCEMENT OVER THE ENTIRE OVERHANG AREA - SEE NOTE 1



NOTES:

1. THE MEMBRANE MUST BE SPECIFIED WITH PERIMETER ENHANCEMENT INSTALLED OVER THE ENTIRE OVERHANG AREA. WHEN THE OVERHANG IS AT THE SAME LEVEL AS THE MAIN ROOF, EXTEND THE PERIMETER ENHANCEMENT ONTO THE MAIN ROOF LEVEL AS SHOWN.
2. AS AN OPTION, AN ADHERED MEMBRANE SECTION MAY BE USED IN LIEU OF THE MECHANICALLY FASTENED MEMBRANE AT BUILDING OVERHANGS IN ACCORDANCE WITH THE MULE-HIDE FULLY ADHERED TPO ROOF SYSTEM SPECIFICATION.
3. REFER TO TECHNICAL BULLETIN #TPO-MA02-2006 FOR PERIMETER ENHANCEMENT REQUIREMENTS.

SHEET LAYOUT ON BUILDINGS WITH OVERHANGS

SYSTEMS:

MECHANICALLY ATTACHED

DETAIL NO.:

MHT-MA-103B

REVISION DATE: 10/2013

MULE-HIDE PRODUCTS CO., INC.

®

NOTES:

1. WHERE MULTI-LEVEL ROOFS MEET AT A COMMON WALL AND THE DIFFERENCE IN HEIGHT IS LESS THAN 3 FT, THE ROOF STRIP OF THE UPPER ROOF AND THE ROOF STRIP OF THE LOWER ROOF ARE EACH TREATED AS FIELD AREAS, EXCEPT FOR THE SQUARE AREAS AT EACH END, WHICH ARE TREATED AS PERIMETER AREAS.
2. FOR FACTORY MUTUAL PROJECTS, THE WIDTH OF THE ROOF PERIMETER AND CORNER AREAS IS DEFINED AS THE SMALLER OF 0.1 TIMES THE BUILDING LESSER PLAN DIMENSION OR 0.4 TIMES THE EAVE HEIGHT (MEAN ROOF HEIGHT FOR SLOPES GREATER THAN 2"/12" SLOPE), EXCEPT FOR HEIGHTS GREATER THAN 60 FT.

3. ROOF PERIMETER

MECHANICALLY ATTACHED SYSTEMS
 DISTANCE BETWEEN ROWS IS LESS THAN OR EQUAL TO .60% OF THE APPROVED ROOF FIELD SPACING OF THE FASTENER ROWS.

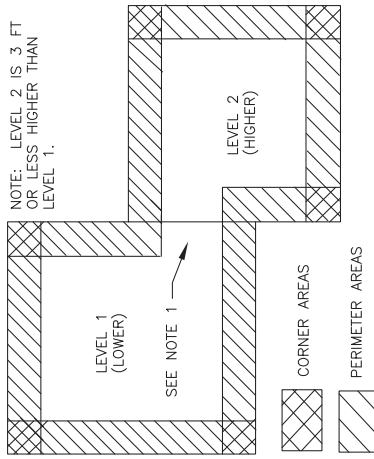
FULLY ADHERED SYSTEMS
 ALL ROOF PERIMETER DIMENSIONS ARE TO BE A MINIMUM OF EIGHT (8) FEET AND INSULATION FASTENERS ARE INCREASED 50%.

4. ROOF CORNERS

MECHANICALLY ATTACHED SYSTEMS
 DISTANCE BETWEEN ROWS IS LESS THAN OR EQUAL TO 40% OF THE APPROVED ROOF FIELD SPACING OF THE FASTENER ROWS.

FULLY ADHERED SYSTEMS
 ALL ROOF CORNER DIMENSIONS ARE TO BE A MINIMUM OF EIGHT (8) FEET BY EIGHT (8) FEET AND INSULATION FASTENERS ARE INCREASED 100%.

5. INCREASED FASTENING IN THE PERIMETERS AND CORNERS IS REQUIRED ON ALL WARRANTED JOBS, BOTH MECHANICALLY ATTACHED AND FULLY ADHERED.



ROOF PERIMETER / CORNER CALCULATION
 ELEVATION DIFFERENCE 3' OR LESS
 SYSTEMS:

ALL TPO SYSTEMS

DETAIL NO.:

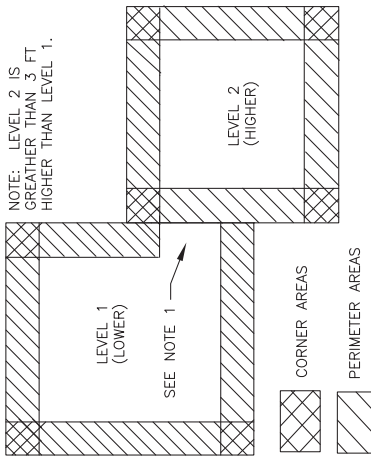
MHT-UN-108A

REVISION DATE: 10/2013

**MULE-HIDE
 PRODUCTS CO., INC.**

NOTES:

- WHERE MULTI-LEVEL ROOFS MEET AT A COMMON WALL AND THE DIFFERENCE IN HEIGHT IS GREATER THAN 3 FT, THE EDGE OF THE UPPER ROOF IS TREATED AS ROOF PERIMETER AND CORNERS. THE LOWER ROOF STRIP WHERE IT MEETS A HIGHER WALL IS TREATED AS FIELD AREA, EXCEPT FOR THE SQUARE AREAS AT EACH END WHICH ARE TREATED AS PERIMETER AREAS.
- FOR FACTORY MUTUAL PROJECTS, THE WIDTH OF THE ROOF PERIMETER AND CORNER AREAS IS DEFINED AS THE SMALLER OF 0.1 TIMES THE BUILDING LESSER PLAN DIMENSION OR 0.4 TIMES THE EAVE HEIGHT (MEAN ROOF HEIGHT FOR SLOPES GREATER THAN 2"/12" SLOPE), EXCEPT FOR HEIGHTS GREATER THAN 60 FT.
- ROOF PERIMETER
MECHANICALLY ATTACHED SYSTEMS
 DISTANCE BETWEEN ROWS IS LESS THAN OR EQUAL TO 60% OF THE APPROVED ROOF FIELD SPACING OF THE FASTENER ROWS.
FULLY ADHERED SYSTEMS
 ALL ROOF PERIMETER DIMENSIONS ARE TO BE A MINIMUM OF EIGHT (8) FEET AND INSULATION FASTENERS ARE INCREASED 50%.
- ROOF CORNERS
MECHANICALLY ATTACHED SYSTEMS
 DISTANCE BETWEEN ROWS IS LESS THAN OR EQUAL TO 40% OF THE APPROVED ROOF FIELD SPACING OF THE FASTENER ROWS.
FULLY ADHERED SYSTEMS
 ALL ROOF CORNER DIMENSIONS ARE TO BE A MINIMUM OF EIGHT (8) FEET BY EIGHT (8) FEET AND INSULATION FASTENERS ARE INCREASED 100%.
- INCREASED FASTENING IN THE PERIMETERS AND CORNERS IS REQUIRED ON ALL WARRANTED JOBS, BOTH MECHANICALLY ATTACHED AND FULLY ADHERED.



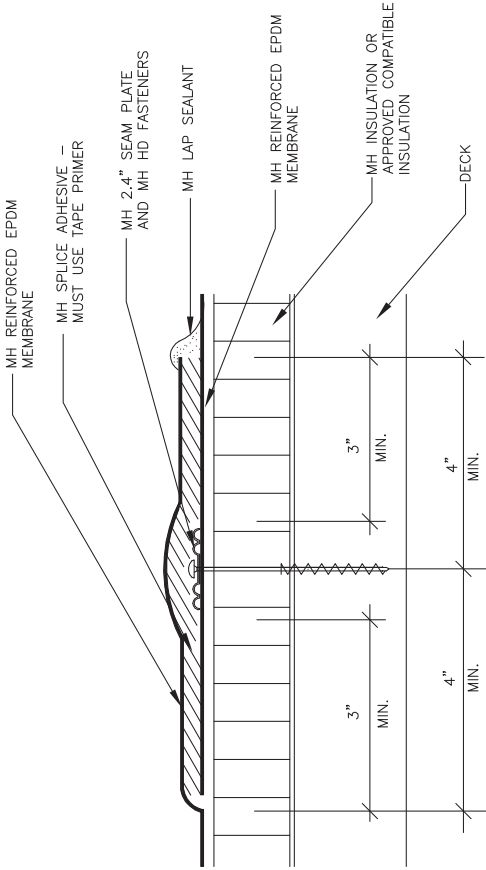
ROOF PERIMETER / CORNER CALCULATION
 ELEVATION DIFFERENCE GREATER THAN 3'
 SYSTEMS:
 ALL TPO SYSTEMS

DETAIL NO.:

MHT-UN-108B

REVISION DATE: 10/2013

**MULE-HIDE
 PRODUCTS CO., INC.**



NOTE:

MULE-HIDE TAPE PRIMER MUST BE USED PRIOR TO APPLICATION OF SPLICE ADHESIVE. FOLLOW PROCEDURE IN MANUAL.

THIS DETAIL IS NOT ACCEPTABLE FOR A 15 OR 20 YEAR WARRANTY.

**MULE-HIDE
PRODUCTS CO., INC.
2010**

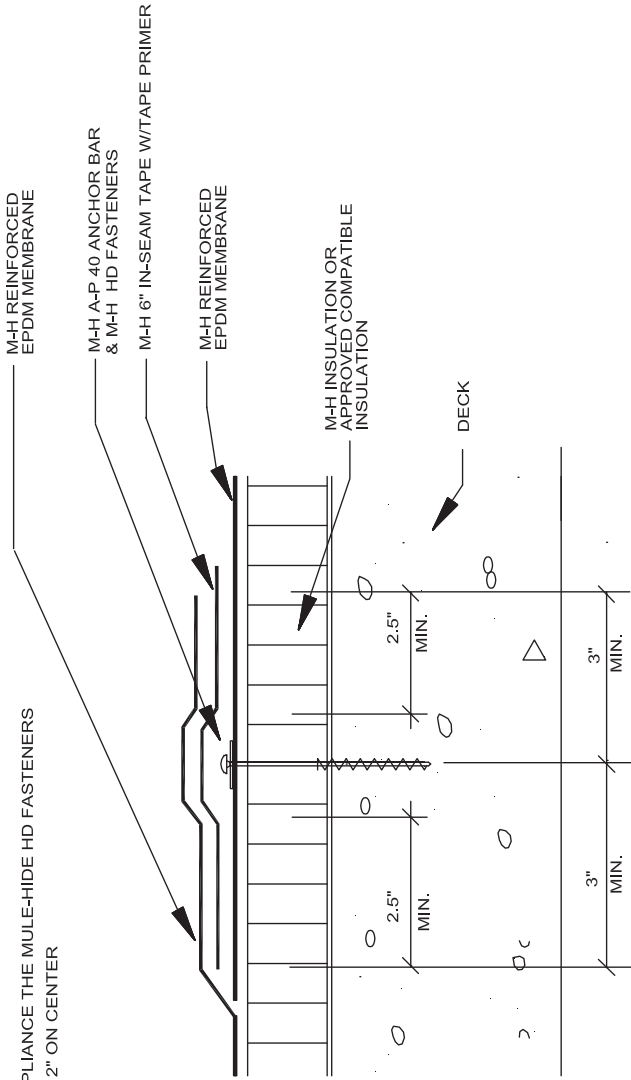
**MEMBRANE SPLICE W/2.4" SEAM PLATE
8" SEAM**

**SYSTEMS:
MECHANICALLY ATTACHED
REINFORCED EPDM**

DETAIL NO.:

MHE-112

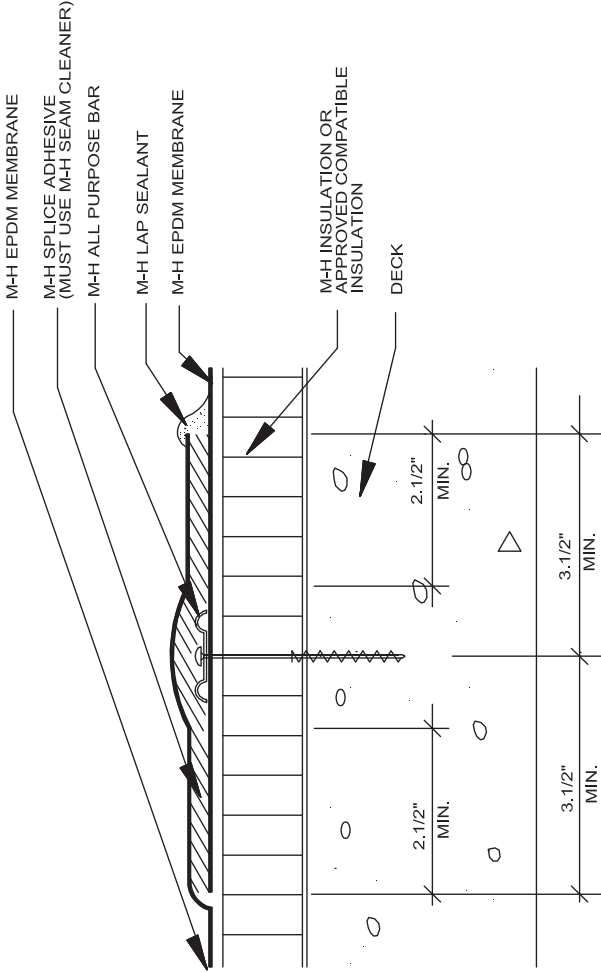
FOR FM 1-135 COMPLIANCE THE MULE-HIDE HD FASTENERS
MUST BE SPACED 12" ON CENTER



**MULE-HIDE
PRODUCTS CO., INC.**
04/01/2004

MEMBRANE SPLICE W/ 6" TAPE
A-P 40 ANCHOR BAR
6" WIDE SEAM
SYSTEMS: MECHANICALLY
ATTACHED REINFORCED
MEMBRANE ONLY

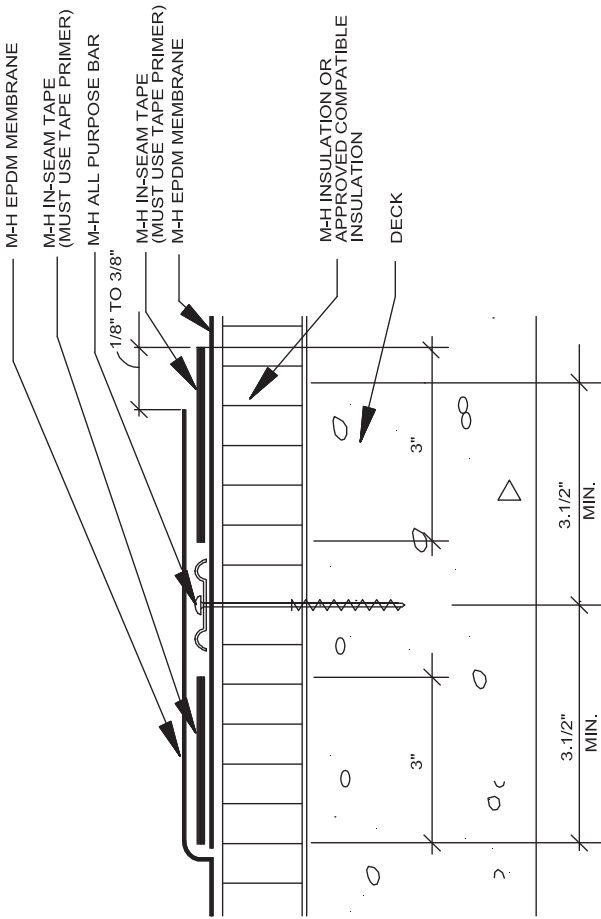
DETAIL NO.:
MHE-112B



**MULE-HIDE
PRODUCTS CO., INC.
04/01/2004**

MEMBRANE SPLICE, ALL-
PURPOSE BAR WITH
ADHESIVE - 7" SEAM
SYSTEMS:
MECHANICALLY ATTACHED

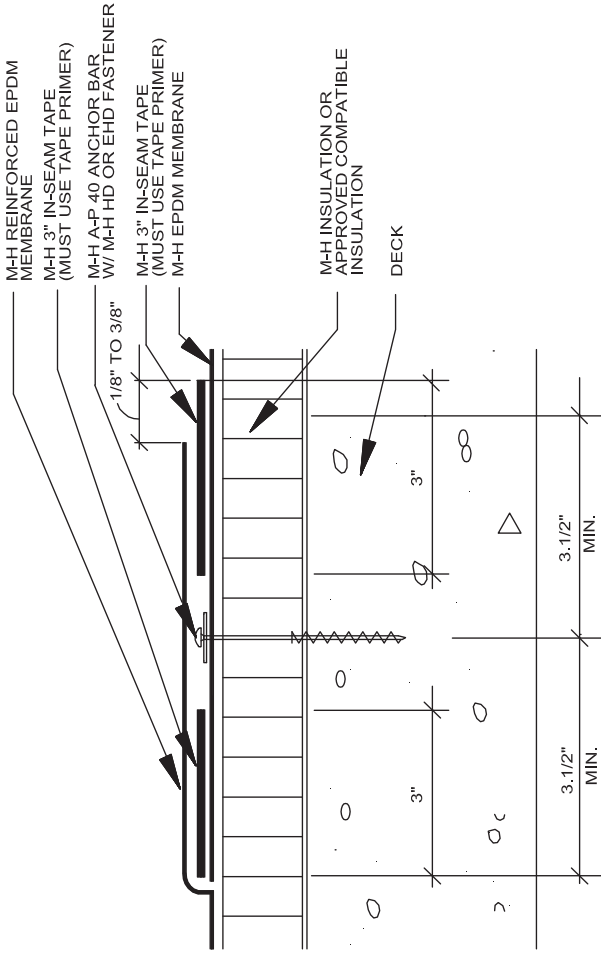
DETAIL NO.:
MHE-113



DETAIL NO.:
MHE-114

MEMBRANE SPLICE, ALL-
PURPOSE BAR WITH
IN-SEAM TAPE - 7" SEAM
SYSTEMS:
MECHANICALLY ATTACHED

**MULE-HIDE
PRODUCTS CO., INC.**
04/01/2004

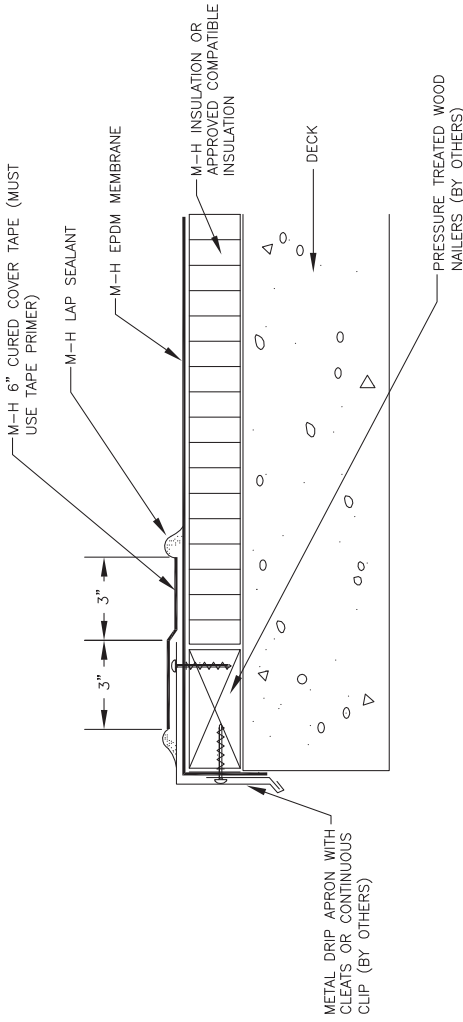


MULE-HIDE
PRODUCTS CO., INC.
04/01/2004

MEMBRANE SPLICE, A-P 40
 ANCHOR BAR WITH
 IN-SEAM TAPE - 7" SEAM
 SYSTEMS:
 MECHANICALLY ATTACHED

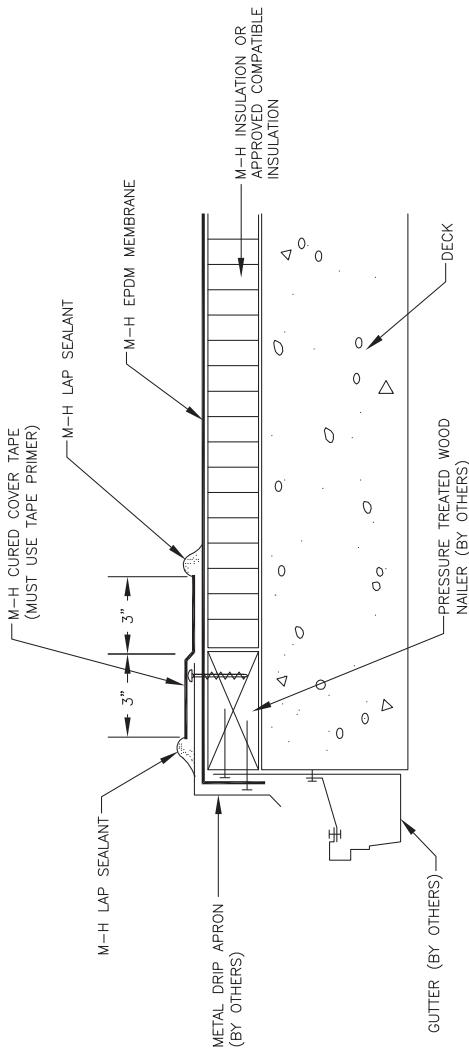
DETAIL NO.:

MHE-114a



NOTE:
 THIS DETAIL IS ACCEPTABLE FOR USE IN
 A 20-YEAR WARRANTED SYSTEM

<p>MULE-HIDE PRODUCTS CO., INC. 12/01/2008</p>	<p>DRIP APRON TERMINATION SYSTEMS: ADHERED & MECHANICALLY ATTACHED</p>	<p>DETAIL NO.: MHE-101</p>
--	---	---



NOTE:

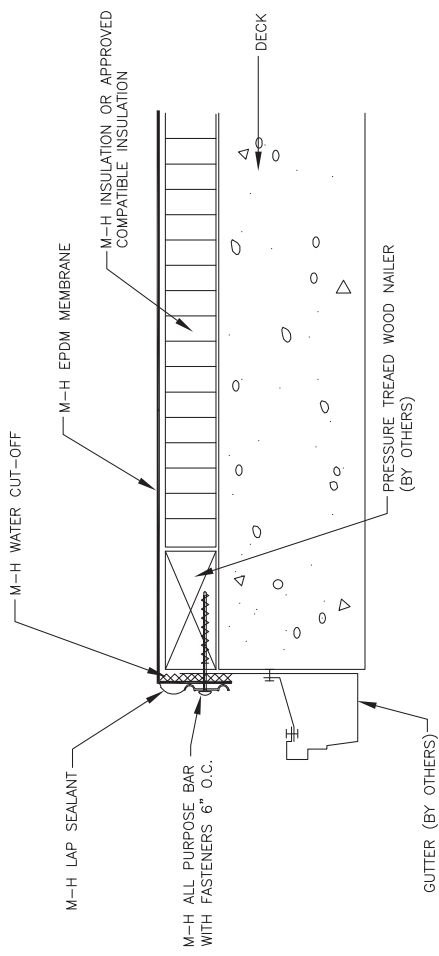
WOOD NAILERS ARE NOT REQUIRED TO BE PRESSURE TREATED ON NEW CONSTRUCTION

THIS DETAIL IS NOT APPROVED FOR USE IN A 20-YEAR WARRANTED SYSTEM

**MULE-HIDE
PRODUCTS CO., INC.**
12/01/2008

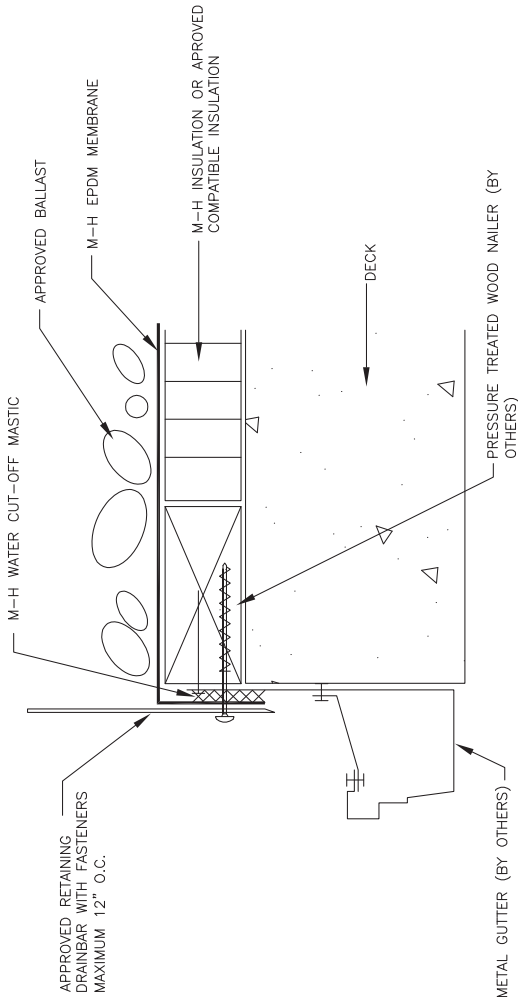
**DRIP APRON/GUTTER
TERMINATION
SYSTEMS:
ADHERED &
MECHANICALLY ATTACHED**

DETAIL NO.:
MHE-102



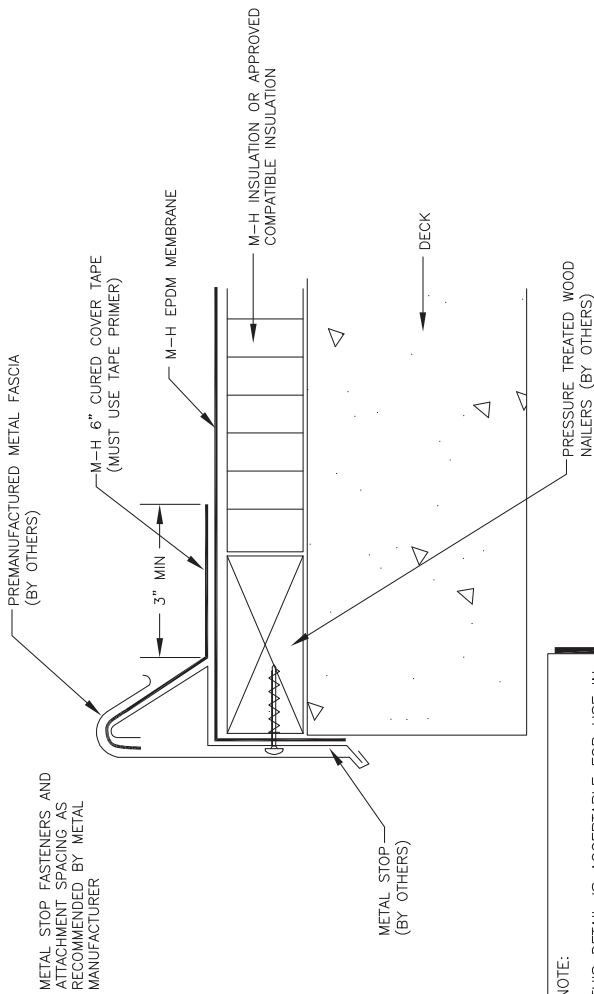
NOTE:
 THIS DETAIL IS ACCEPTABLE FOR USE IN
 A 20-YEAR WARRANTED SYSTEM

<p>MULE-HIDE PRODUCTS CO., INC. 12/01/2008</p>	<p>ALL PURPOSE BAR TERMINATION SYSTEMS: SDHERED & MECHANICALLY ATTACHED</p>	<p>DETAIL NO.: MHE-103</p>
---	--	---



NOTE:
 THIS DETAIL IS ACCEPTABLE FOR USE IN
 A 20-YEAR WARRANTED SYSTEM

<p>DETAIL NO.: MHE-104</p>	<p>BALLAST RETAINER BAR SYSTEMS: BALLAST ONLY</p>	<p>MULE-HIDE PRODUCTS CO., INC. 12/01/2008</p>
---	---	---

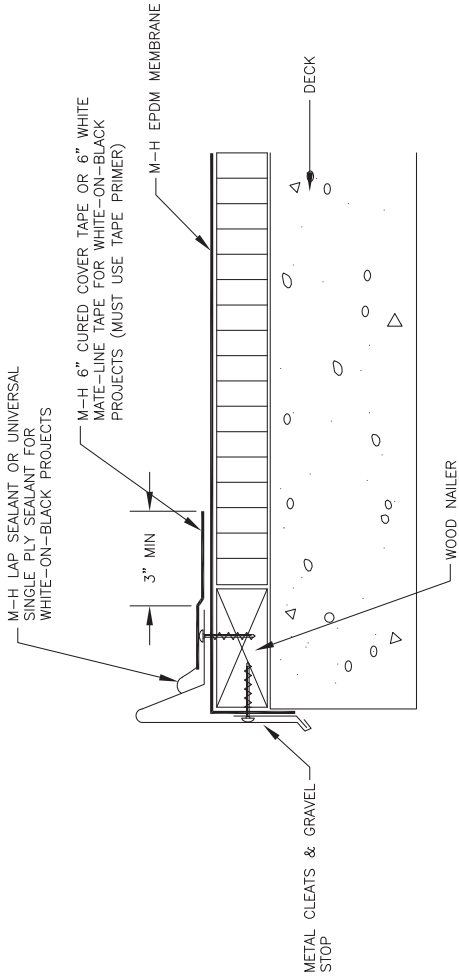


NOTE:
 THIS DETAIL IS ACCEPTABLE FOR USE IN
 A 20-YEAR WARRANTED SYSTEM

DETAIL NO.:
MHE-105

**GRAVEL STOP
 WITH SNAP LOCK FASCIA
 SYSTEMS:
 ALL**

**MULE-HIDE
 PRODUCTS CO., INC.**
 12/01/2008

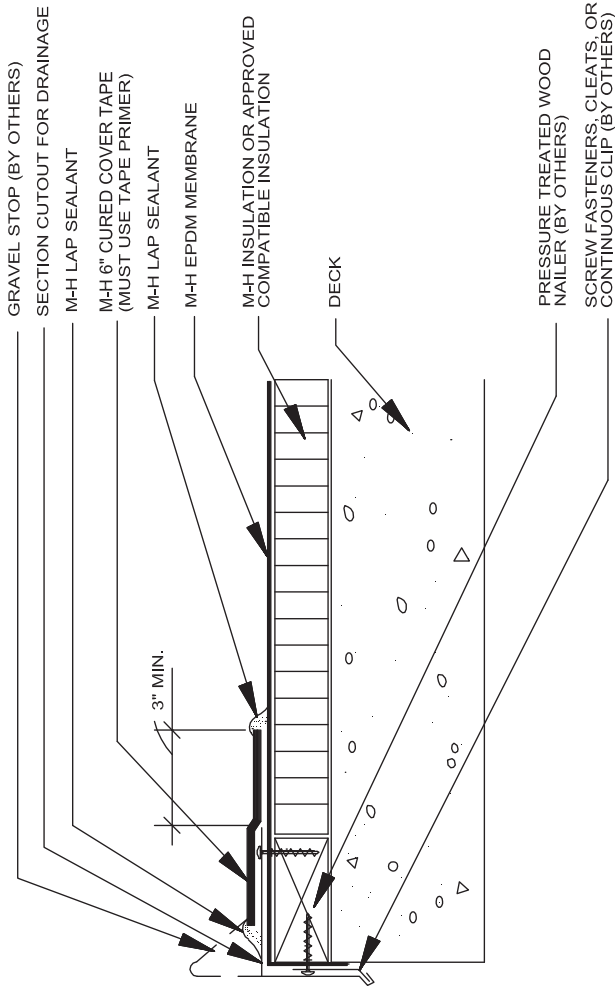


NOTE:
 THIS DETAIL IS ACCEPTABLE FOR USE IN
 A 20-YEAR WARRANTED SYSTEM

**GRAVEL STOP
 TERMINATION
 SYSTEMS:
 ALL**

DETAIL NO.:
MHE-106
 REVISION DATE: 08/2016

**MULE-HIDE
 PRODUCTS CO., INC.**



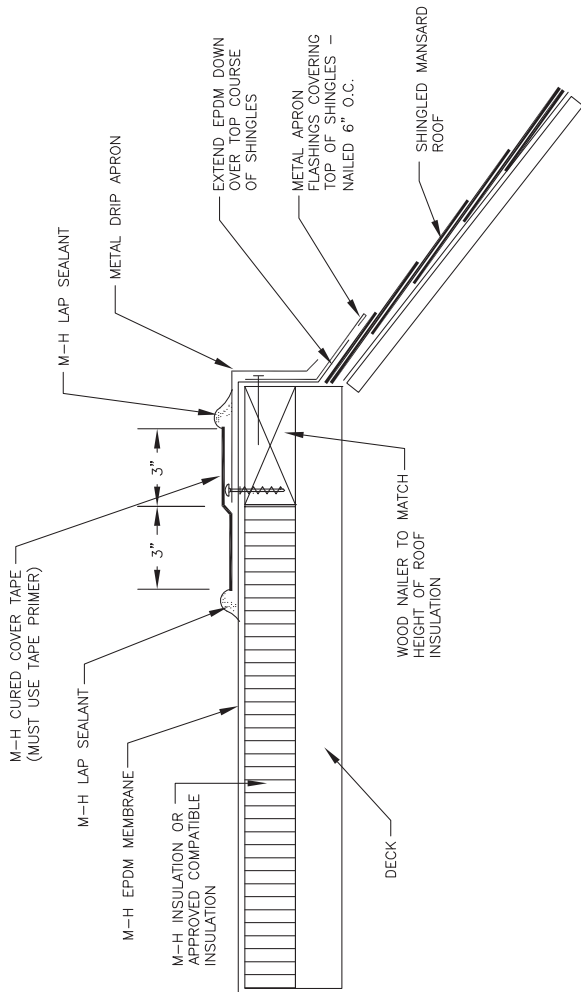
**MULE-HIDE
PRODUCTS CO., INC.
04/01/2004**

GRAVEL STOP
WITH SCUPPER

SYSTEMS:
ALL

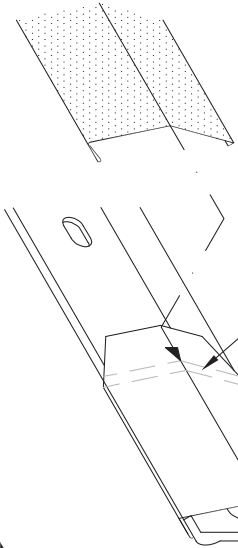
DETAIL NO.:

MHE-107



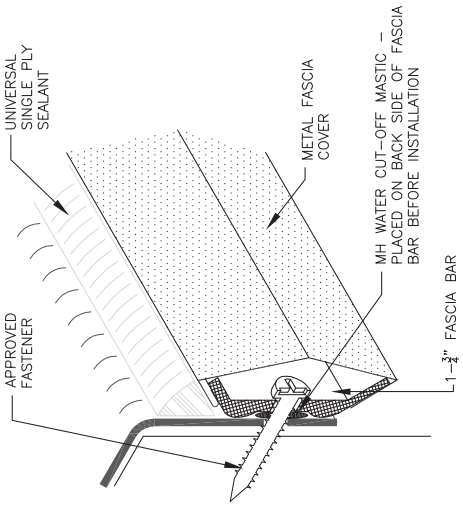
MULE-HIDE PRODUCTS CO., INC. 03/11/2011	DRIP EDGE AT MANSARD SYSTEMS: FULLY ADHERED	DETAIL NO.: MHE-108
--	--	--------------------------------------

NOTE:
THIS DETAIL QUALIFIES TO BE INCLUDED IN ANY MULE-HIDE LABOR AND MATERIAL WARRANTY



ALLOW FOR AN 1/8" GAP FOR EXPANSION AND CONTRACTION. EXPANSION TAB MUST INSTALL BENEATH THE NEXT INSTALLED PIECE.

HOOK ON BOTTOM AND PIVOT UP INTO PLACE—SNAP HEM ON TOP



NOTES:

1. JOINTS ON THE FASCIA BAR MUST BE OFFSET BY A MINIMUM OF 12" FROM THE JOINTS IN THE FASCIA COVER.
2. THE FASCIA BAR MUST BE FASTENED 6" ON CENTER.
3. USE STAINLESS STEEL FASTENERS WHEN ATTACHING INTO ACO TREATED WOOD.

MULE-HIDE PREMANUFACTURED
1-3/4" METAL FASCIA SYSTEM
SYSTEMS:

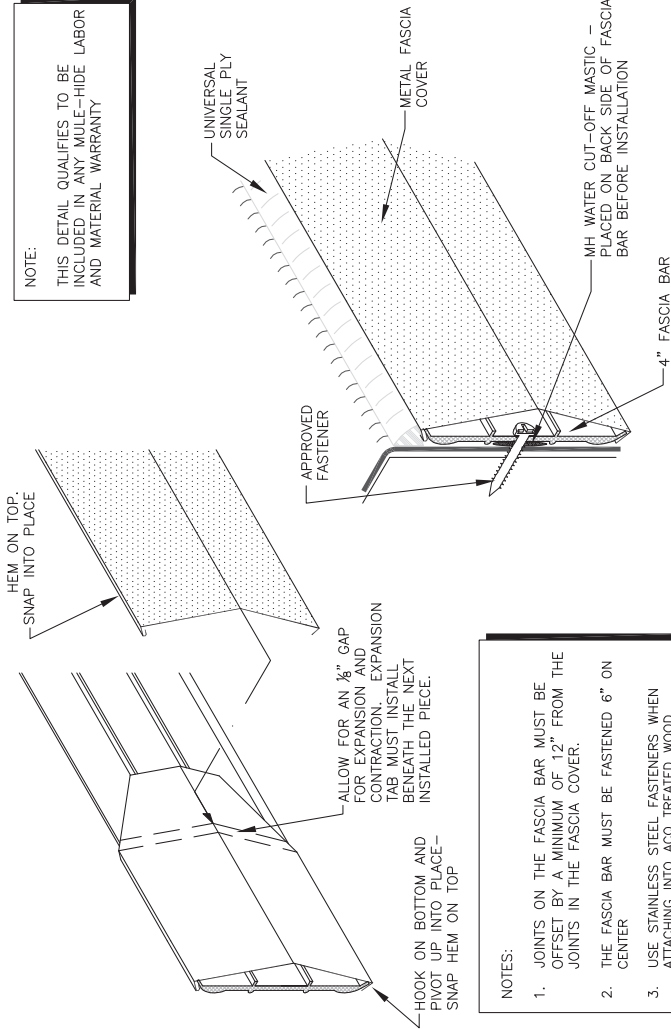
ALL SYSTEMS

DETAIL NO.:
MHSM-3500

REVISION DATE: 01/2013

**MULE-HIDE
PRODUCTS CO., INC.**

NOTE:
THIS DETAIL QUALIFIES TO BE INCLUDED IN ANY MULE-HIDE LABOR AND MATERIAL WARRANTY



- NOTES:**
1. JOINTS ON THE FASCIA BAR MUST BE OFFSET BY A MINIMUM OF 12" FROM THE JOINTS IN THE FASCIA COVER.
 2. THE FASCIA BAR MUST BE FASTENED 6" ON CENTER
 3. USE STAINLESS STEEL FASTENERS WHEN ATTACHING INTO ACQ TREATED WOOD.

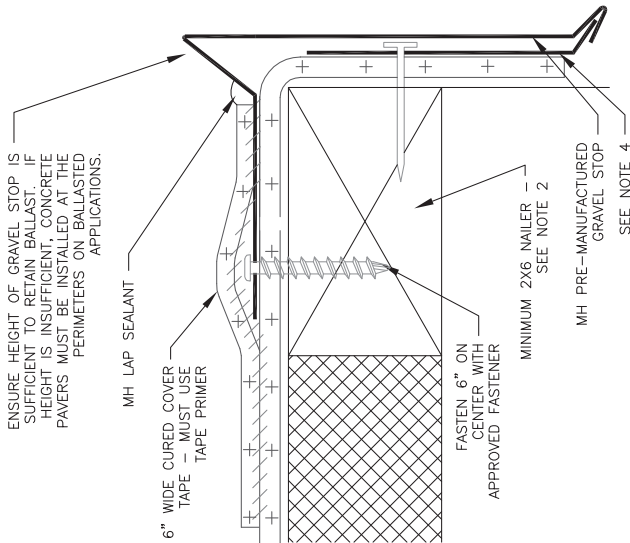
MULE-HIDE PRODUCTS CO., INC.	MULE-HIDE PREMANUFACTURED 4" METAL FASCIA SYSTEM	DETAIL NO.: MHSM-3510
	SYSTEMS: ALL SYSTEMS	REVISION DATE: 01/2013

NOTES:

1. AN OVERLAP OF 1/2" WILL BE REQUIRED BETWEEN SECTIONS OF MEMBRANE COATED METAL. A BEAD OF SEALANT IS REQUIRED IN EACH OVERLAP.
2. A WOOD NAILER IS REQUIRED. TOP OF WOOD NAILER TO BE FLUSH WITH TOP OF INSULATION. CUSTOM GRAVEL STOP PROFILES MUST HAVE MULE-HIDE APPROVAL TO ENSURE PROPER NAILER WIDTH IS INSTALLED.
3. GRAVEL STOP MUST BE FASTENED 6" ON CENTER.
4. A CLEAT MUST BE INSTALLED ON ALL DRIP EDGE WITH A FACE OF 4" OR GREATER. CLEAT MUST BE FASTENED 6" ON CENTER. ALL FASTENERS ON THE CLEAT MUST BE WITHIN 1-3/4" OF THE BOTTOM EDGE.
5. USE STAINLESS STEEL FASTENERS WHEN ATTACHING INTO ACQ TREATED WOOD.

NOTE:

THIS DETAIL QUALIFIES TO BE INCLUDED IN ANY MULE-HIDE LABOR AND MATERIAL WARRANTY ONLY IF THE FORMED DRIP EDGE AND CLEATS ARE MANUFACTURED BY MULE-HIDE.



MULE-HIDE PREMANUFACTURED GRAVEL STOP EDGE SYSTEMS:

ALL EPDM SYSTEMS

DETAIL NO.:

MHE-3130

REVISION DATE: 01/2013

MULE-HIDE PRODUCTS CO., INC.

NOTES:

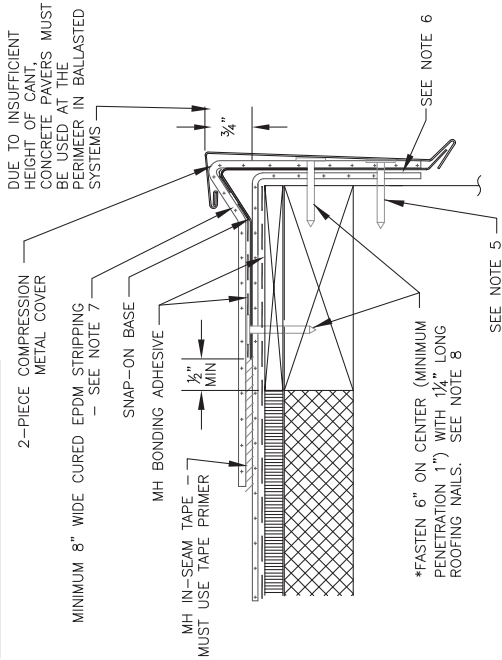
1. THE USE OF THIS DETAIL IS NOT TO EXCEED A 2" PER 12" SLOPE.
2. A WOOD NAILER IS REQUIRED. TOP OF WOOD NAILER IS TO BE FLUSH WITH TOP OF INSULATION. BE SURE THAT THE WOOD NAILER EXTENDS AT LEAST $\frac{1}{2}$ " BEYOND THE HORIZONTAL EDGE OF THE SNAP-ON BASE.
3. THE FASTENERS USED TO ATTACH THE BASE TO WOOD NAILERS, AND THE MEMBRANE TO THE FACE OF THE NAILERS, MUST BE SPACED NO GREATER THAN 6" ON CENTER.
4. ALLOW FOR $\frac{1}{8}$ " EXPANSION GAP BETWEEN 10" LENGTHS OF SNAP-ON BASE. OVERLAP THE SNAP-ON COVERS 2" BETWEEN 10" LENGTHS.
5. WHEN INSTALLING THIS DETAIL WITH A 6" OR GREATER VERTICAL SURFACE, ADDITIONAL MECHANICAL ATTACHMENT IS REQUIRED ON THE SNAP-ON BASE. THE ADDITIONAL FASTENERS MUST BE WITHIN 1- $\frac{3}{8}$ " OF THE BOTTOM EDGE.
6. MEMBRANE SHOULD EXTEND BEYOND WOOD NAILER BY MINIMUM 1"
7. MAXIMUM MEMBRANE STRIPPING THICKNESS ON THIS DETAIL IS AS FOLLOWS:
 - EPDM - 60 MIL
8. USE STAINLESS STEEL FASTENERS WHEN ATTACHING INTO ACQ TREATED WOOD.

NOTE:

THIS DETAIL QUALIFIES TO BE INCLUDED IN ANY MULE-HIDE LABOR AND MATERIAL WARRANTY

NOTE:

THIS DETAIL IS ACCEPTABLE FOR USE IN ALL EXTENDED WARRANTIES AND HIGH WIND ZONES.



<p>MULE-HIDE PRODUCTS CO., INC.</p>	<p>MULE-HIDE PREMANUFACTURED 2-PIECE COMPRESSION EDGE DETAIL SYSTEMS:</p> <p>ALL EPDM SYSTEMS</p>	<p>DETAIL NO.:</p> <p>MHE-3110A</p> <p>REVISION DATE: 01/2013</p>

NOTES:

1. THE USE OF THIS DETAIL IS NOT TO EXCEED A 2" PER 12" SLOPE.
2. A WOOD NAILER IS REQUIRED. TOP OF WOOD NAILER IS TO BE FLUSH WITH TOP OF INSULATION. BE SURE THAT THE WOOD NAILER EXTENDS AT LEAST 1/2" BEYOND THE HORIZONTAL EDGE OF THE SNAP-ON BASE.
3. THE FASTENERS USED TO ATTACH THE BASE TO WOOD NAILERS, AND THE MEMBRANE TO THE FACE OF THE NAILERS, MUST BE SPACED NO GREATER THAN 6" ON CENTER.
4. ALLOW FOR 1/8" EXPANSION GAP BETWEEN 10" LENGTHS OF SNAP-ON BASE. OVERLAP THE SNAP-ON COVERS 2" BETWEEN 10" LENGTHS.
5. WHEN INSTALLING THIS DETAIL WITH A 6" OR GREATER VERTICAL SURFACE, AN ADDITIONAL MECHANICAL ATTACHMENT IS REQUIRED ON THE SNAP-ON BASE. THE ADDITIONAL FASTENERS MUST BE WITHIN 1-3/4" OF THE BOTTOM EDGE.
6. MEMBRANE SHOULD EXTEND BEYOND WOOD NAILER BY MINIMUM 1"
7. MAXIMUM MEMBRANE THICKNESS ON THIS DETAIL IS AS FOLLOWS:
 - EPDM - 60 MIL
8. USE STAINLESS STEEL FASTENERS WHEN ATTACHING INTO ACO TREATED WOOD. ISOLATE ALL METAL PARTS FROM ACO TREATED WOOD WITH APPROPRIATE MEMBRANE MATERIAL.

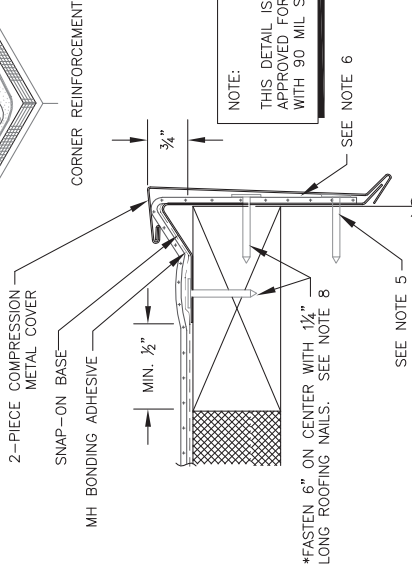
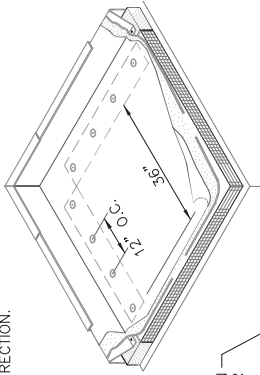
NOTE:

THIS DETAIL QUALIFIES TO BE INCLUDED IN ANY MULE-HIDE LABOR AND MATERIAL WARRANTY

NOTE:

THIS DETAIL NOT FOR USE IN 90 MIL SYSTEMS, WITH WARRANTIES LONGER THAN 20 YEARS, OR IN WIND ZONES EXCEEDING 90 MPH.

AT CORNERS, 6" WIDE RMS MUST BE INSTALLED 12" MAXIMUM FROM THE BASE OF THE SNAP ON BASE AND EXTEND 36" MINIMUM IN EACH DIRECTION.



NOTE:

THIS DETAIL IS NOT APPROVED FOR USE WITH 90 MIL SYSTEMS.

SEE NOTE 6

MULE-HIDE PREMANUFACTURED
2-PIECE COMPRESSION EDGE DETAIL
SYSTEMS:
EPDM FULLY ADHERED SYSTEMS

DETAIL NO.:
MHE-3110B
REVISION DATE: 01/2013

**MULE-HIDE
PRODUCTS CO., INC.**

NOTES:

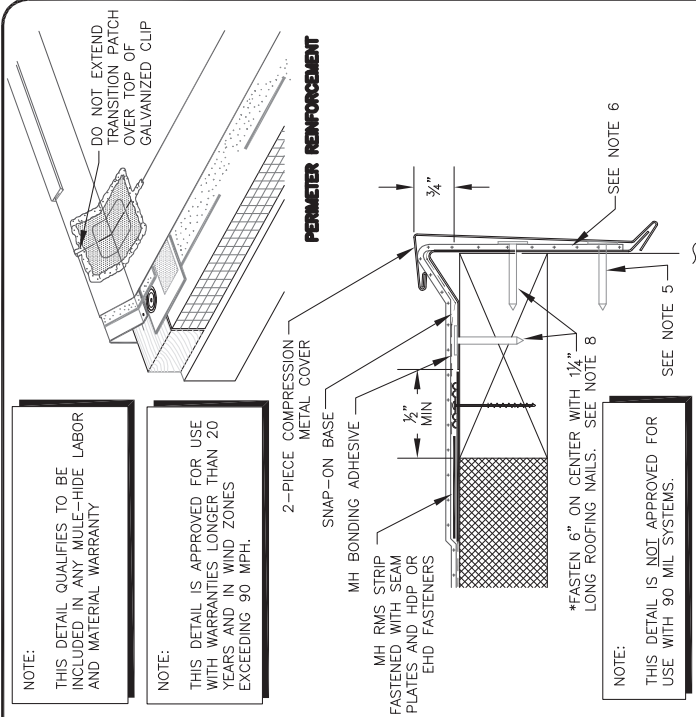
1. THE USE OF THIS DETAIL IS NOT TO EXCEED A 2" PER 12" SLOPE.
2. A WOOD NAILER IS REQUIRED. TOP OF WOOD NAILER IS TO BE FLUSH WITH TOP OF INSULATION. BE SURE THAT THE WOOD NAILER EXTENDS AT LEAST ½" BEYOND THE HORIZONTAL EDGE OF THE SNAP-ON BASE.
3. THE FASTENERS USED TO ATTACH THE BASE TO WOOD NAILERS, AND THE MEMBRANE TO THE FACE OF THE NAILERS, MUST BE SPACED NO GREATER THAN 6" ON CENTER.
4. ALLOW FOR ½" EXPANSION GAP BETWEEN 10' LENGTHS OF SNAP-ON BASE. OVERLAP THE SNAP-ON COVERS 2" BETWEEN 10' LENGTHS.
5. WHEN INSTALLING THIS DETAIL WITH A 6" OR GREATER VERTICAL SURFACE, ADDITIONAL MECHANICAL ATTACHMENT IS REQUIRED ON THE SNAP-ON BASE. THE ADDITIONAL FASTENERS MUST BE WITHIN 1-¾" OF THE BOTTOM EDGE.
6. MEMBRANE SHOULD EXTEND BEYOND WOOD NAILER BY MINIMUM 1"
7. MAXIMUM MEMBRANE THICKNESS ON THIS DETAIL IS AS FOLLOWS:
 - EPDM - 60 MIL
8. USE STAINLESS STEEL FASTENERS WHEN ATTACHING INTO ACQ TREATED WOOD. ISOLATE ALL METAL PARTS FROM DIRECT CONTACT WITH ACQ TREATED WOOD WITH APPROPRIATE MEMBRANE MATERIAL.

NOTE:

THIS DETAIL QUALIFIES TO BE INCLUDED IN ANY MULE-HIDE LABOR AND MATERIAL WARRANTY

NOTE:

THIS DETAIL IS APPROVED FOR USE WITH WARRANTIES LONGER THAN 20 YEARS AND IN WIND ZONES EXCEEDING 90 MPH.



NOTE:

THIS DETAIL IS NOT APPROVED FOR USE WITH 90 MIL SYSTEMS.

MULE-HIDE PRODUCTS CO., INC.

MULE-HIDE PREMANUFACTURED 2-PIECE COMPRESSION EDGE DETAIL SYSTEMS:
EPDM FULLY ADHERED SYSTEMS

DETAIL NO.:
MHE-3110C
 REVISION DATE: 01/2013

NOTES:

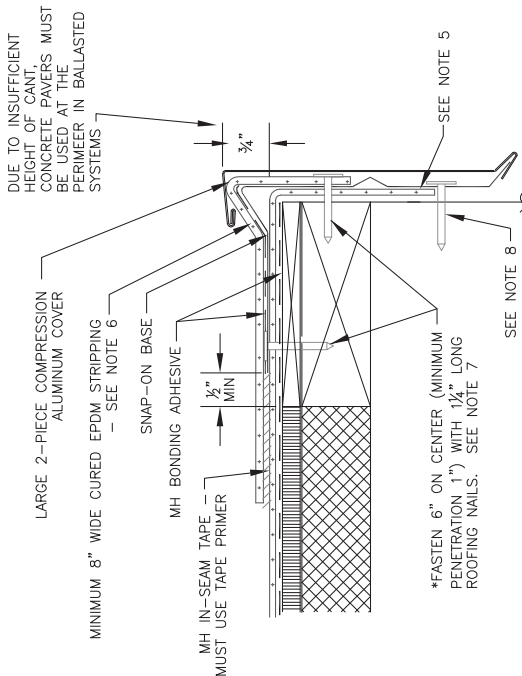
1. THE USE OF THIS DETAIL IS NOT TO EXCEED A 2" PER 12" SLOPE.
2. A WOOD NAILER IS REQUIRED. TOP OF WOOD NAILER IS TO BE FLUSH WITH TOP OF INSULATION. BE SURE THAT THE WOOD NAILER EXTENDS AT LEAST ½" BEYOND THE HORIZONTAL EDGE OF THE SNAP-ON BASE.
3. THE FASTENERS USED TO ATTACH THE BASE TO WOOD NAILERS, AND THE MEMBRANE TO THE FACE OF THE NAILERS, MUST BE SPACED NO GREATER THAN 6" ON CENTER.
4. ALLOW FOR ⅛" EXPANSION GAP BETWEEN 10' LENGTHS OF SNAP-ON BASE. OVERLAP THE SNAP-ON COVERS 2" BETWEEN 10' LENGTHS.
5. MEMBRANE SHOULD EXTEND BEYOND WOOD NAILER BY MINIMUM 1"
6. MAXIMUM MEMBRANE STRIPPING THICKNESS ON THIS DETAIL IS AS FOLLOWS:
 • EPDM - 60 MIL
7. USE STAINLESS STEEL FASTENERS WHEN ATTACHING INTO ACQ TREATED WOOD.
8. THE ADDITIONAL FASTENERS MUST BE WITHIN 1-¾" OF THE BOTTOM EDGE.

NOTE:

THIS DETAIL QUALIFIES TO BE INCLUDED IN ANY MULE-HIDE LABOR AND MATERIAL WARRANTY.

NOTE:

THIS DETAIL IS ACCEPTABLE FOR USE IN ALL EXTENDED WARRANTIES AND HIGH WIND ZONES.



DUE TO INSUFFICIENT HEIGHT OF CANT, CONCRETE PAVERS MUST BE USED AT THE PERIMETER IN BALLASTED SYSTEMS

SNAP-ON BASE
 MH BONDING ADHESIVE
 ½" MIN

MH IN-SEAM TAPE
 MUST USE TAPE PRIMER

*FASTEN 6" ON CENTER (MINIMUM PENETRATION 1") WITH ¼" LONG ROOFING NAILS. SEE NOTE 7

SEE NOTE 8

**MULE-HIDE PREMANUFACTURED
 2-PIECE COMPRESSION LARGE EDGE DETAIL
 SYSTEMS:**

ALL EPDM SYSTEMS

DETAIL NO.:
MHE-3115A

REVISION DATE: 01/2013

**MULE-HIDE
 PRODUCTS CO., INC.**

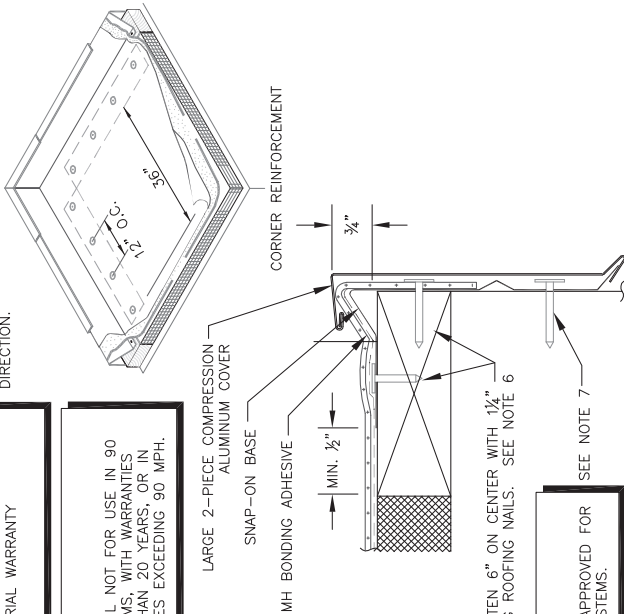
NOTES:

1. THE USE OF THIS DETAIL IS NOT TO EXCEED A 2" PER 12' SLOPE.
2. A WOOD NAILER IS REQUIRED. TOP OF WOOD NAILER IS TO BE FLUSH WITH TOP OF INSULATION. BE SURE THAT THE WOOD NAILER EXTENDS AT LEAST 1/2" BEYOND THE HORIZONTAL EDGE OF THE SNAP-ON BASE.
3. THE FASTENERS USED TO ATTACH THE BASE TO WOOD NAILERS, AND THE MEMBRANE TO THE FACE OF THE NAILERS, MUST BE SPACED NO GREATER THAN 6" ON CENTER.
4. ALLOW FOR 1/8" EXPANSION GAP BETWEEN 10' LENGTHS OF SNAP-ON BASE. OVERLAP THE SNAP-ON COVERS 2" BETWEEN 10' LENGTHS.
5. MAXIMUM MEMBRANE THICKNESS ON THIS DETAIL IS AS FOLLOWS:
 - EPDM - 60 MIL
6. USE STAINLESS STEEL FASTENERS WHEN ATTACHING INTO ACO TREATED WOOD. ISOLATE ALL METAL PARTS FROM ACO TREATED WOOD WITH APPROPRIATE MEMBRANE MATERIAL.
7. THE ADDITIONAL FASTENERS MUST BE WITHIN 1-3/4" OF THE BOTTOM EDGE.

NOTE:
THIS DETAIL QUALIFIES TO BE INCLUDED IN ANY MULE-HIDE LABOR AND MATERIAL WARRANTY

NOTE:
THIS DETAIL NOT FOR USE IN 90 MIL SYSTEMS, WITH WARRANTIES LONGER THAN 20 YEARS, OR IN WIND ZONES EXCEEDING 90 MPH.

AT CORNERS, 6" WIDE RMS MUST BE INSTALLED 12" MAXIMUM FROM THE BASE OF THE SNAP ON BASE AND EXTEND 36" MINIMUM IN EACH DIRECTION.



NOTE:
THIS DETAIL IS NOT APPROVED FOR USE WITH 90 MIL SYSTEMS.

SEE NOTE 7

MULE-HIDE PRODUCTS CO., INC.

MULE-HIDE PREMANUFACTURED 2-PIECE COMPRESSION LARGE EDGE DETAIL SYSTEMS:
EPDM FULLY ADHERED SYSTEMS

DETAIL NO.:
MHE-3115B
REVISION DATE: 01/2013

NOTES:

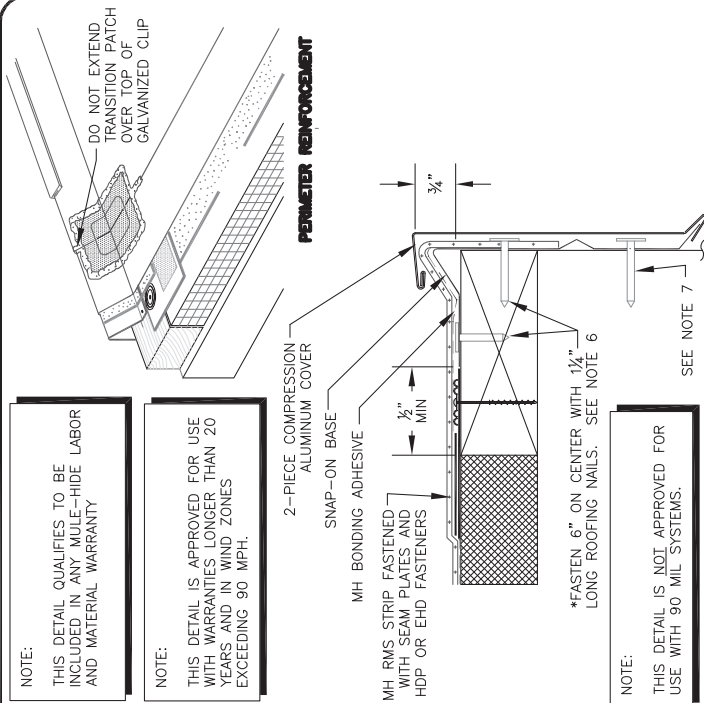
1. THE USE OF THIS DETAIL IS NOT TO EXCEED A 2" PER 12" SLOPE.
2. A WOOD NAILER IS REQUIRED. TOP OF WOOD NAILER IS TO BE FLUSH WITH TOP OF INSULATION. BE SURE THAT THE WOOD NAILER EXTENDS AT LEAST 1/2" BEYOND THE HORIZONTAL EDGE OF THE SNAP-ON BASE.
3. THE FASTENERS USED TO ATTACH THE BASE TO WOOD NAILERS, AND THE MEMBRANE TO THE FACE OF THE NAILERS, MUST BE SPACED NO GREATER THAN 6" ON CENTER.
4. ALLOW FOR 1/8" EXPANSION GAP BETWEEN 10' LENGTHS OF SNAP-ON BASE. OVERLAP THE SNAP-ON COVERS 2" BETWEEN 10' LENGTHS.
5. MAXIMUM MEMBRANE THICKNESS ON THIS DETAIL IS AS FOLLOWS:
 - EPDM - 60 MIL
6. USE STAINLESS STEEL FASTENERS WHEN ATTACHING INTO ACQ TREATED WOOD. ISOLATE ALL METAL PARTS FROM DIRECT CONTACT WITH ACQ TREATED WOOD WITH APPROPRIATE MEMBRANE MATERIAL.
7. THE ADDITIONAL FASTENERS MUST BE WITHIN 1-3/8" OF THE BOTTOM EDGE.

NOTE:

THIS DETAIL QUALIFIES TO BE INCLUDED IN ANY MULE-HIDE LABOR AND MATERIAL WARRANTY.

NOTE:

THIS DETAIL IS APPROVED FOR USE WITH WARRANTIES LONGER THAN 20 YEARS AND IN WIND ZONES EXCEEDING 90 MPH.



*FASTEN 6" ON CENTER WITH 1/4" LONG ROOFING NAILS. SEE NOTE 6

NOTE:

THIS DETAIL IS NOT APPROVED FOR USE WITH 90 MIL SYSTEMS.

SEE NOTE 7

MULE-HIDE PREMANUFACTURED 2-PIECE COMPRESSION LARGE EDGE DETAIL SYSTEMS:

EPDM FULLY ADHERED SYSTEMS

DETAIL NO.:

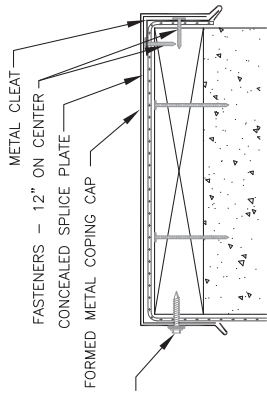
MHE-3115C

REVISION DATE: 01/2013

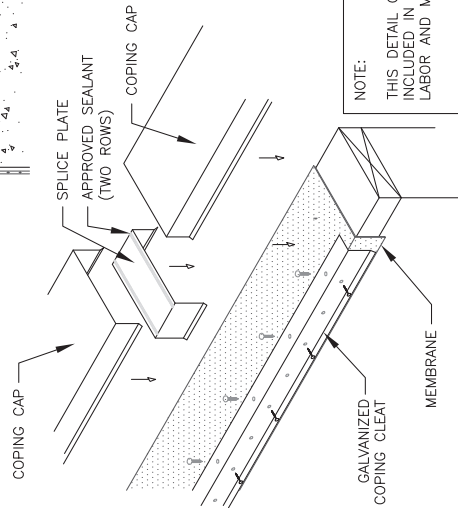
MULE-HIDE PRODUCTS CO., INC.

NOTES:

1. ALL COPING CAP JOINTS MUST UTILIZE A 6" CONCEALED SPLICE PLATE.
2. ALL JOINTS ARE TO BE SEALED WITH AN APPROVED SEALANT ON TOP (BOTH SIDES OF JOINT) OF THE SPLICE PLATE. ALLOW A ¼" GAP BETWEEN COPING SECTIONS.
3. ALL CLEATS MUST BE FASTENED 12" ON CENTER.
4. ALL FASTENERS MUST PENETRATE INTO THE MAILER A MINIMUM OF 1½".
5. INSTALL THE COPING CLEAT USING 1½" FASTENERS 12" ON CENTER. FACE NAIL THE CLEAT USING 1½" FASTENERS 12" ON CENTER.
6. INSTALL THE SPLICE PLATE BY LOCATING IT IN THE CENTER OF THE COPING JOINT. APPLY A BEAD OF AN APPROVED SEALANT ON BOTH SIDES OF THE TOP SURFACE OF THE SPLICE PLATE. DO NOT FASTEN THE SPLICE PLATE.
7. INSTALL COPING CAP OVER TOP SPLICE PLATE. BE SURE TO LEAVE A ¼" GAP BETWEEN SECTIONS OF COPING TO ALLOW FOR EXPANSION AND CONTRACTION.
8. ALL JOINING SURFACES SUCH AS JOINTS, SPLICES, CORNERS, AND END CAPS MUST HAVE AN APPROVED SEALANT APPLIED TO THEM.



HEX-HEAD SCREWS WITH NEOPRENE WASHER (24" ON CENTER MAX.) - MUST USE STAINLESS STEEL FASTENERS IF FASTENING INTO ACQ TREATED WOOD

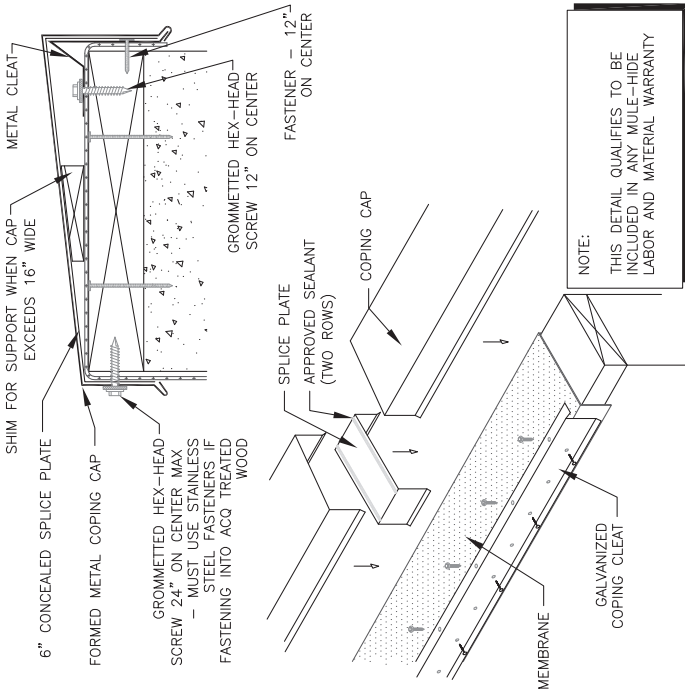


NOTE:
THIS DETAIL QUALIFIES TO BE INCLUDED IN ANY MULE-HIDE LABOR AND MATERIAL WARRANTY

<p>MULE-HIDE PRODUCTS CO., INC.</p>	<p>MULE-HIDE PREMANUFACTURED FLAT COPING W/CONTINUOUS CLEAT SYSTEMS:</p> <p>ALL MULE-HIDE SYSTEMS</p>	<p>DETAIL NO.: MHSM-6050</p> <p>REVISION DATE: 01/2013</p>

NOTES:

1. ALL COPING CAP JOINTS MUST UTILIZE A 6" CONCEALED SPLICE PLATE.
2. ALL JOINTS ARE TO BE SEALED WITH AN APPROVED SEALANT ON TOP (BOTH SIDES OF JOINT) OF THE SPLICE PLATE. ALLOW A 1/4" GAP BETWEEN COPING SECTIONS.
3. ALL CLEATS MUST BE FASTENED 12" ON CENTER.
4. ALL FASTENERS MUST PENETRATE INTO THE NAILER A MINIMUM OF 1 1/2".
5. INSTALL THE COPING CLEAT USING GROMMETTED 1/2" HEX HEAD SCREWS 12" ON CENTER. FACE NAIL THE CLEAT USING 1 1/2" FASTENERS 12" ON CENTER.
6. INSTALL THE SPLICE PLATE BY LOCATING IT IN THE CENTER OF THE COPING JOINT. APPLY A BEAD OF AN APPROVED SEALANT ON BOTH SIDES OF THE TOP SURFACE OF THE SPLICE PLATE. DO NOT FASTEN THE SPLICE PLATE.
7. INSTALL COPING CAP OVER TOP SPLICE PLATE. BE SURE TO LEAVE A 1/4" GAP BETWEEN SECTIONS OF COPING TO ALLOW FOR EXPANSION AND CONTRACTION.
8. ALL JOINING SURFACES SUCH AS JOINTS, SPLICES, CORNERS, AND END CAPS MUST HAVE AN APPROVED SEALANT APPLIED TO THEM.



NOTE:

THIS DETAIL QUALIFIES TO BE INCLUDED IN ANY MULE-HIDE LABOR AND MATERIAL WARRANTY

**MULE-HIDE PREMANUFACTURED
CANTED COPING W/CONTINUOUS CLIP
SYSTEMS:**

ALL MULE-HIDE SYSTEMS

DETAIL NO.:

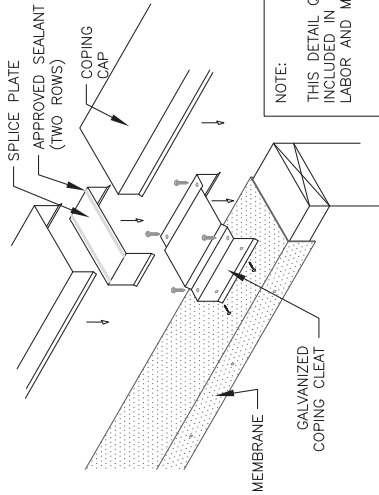
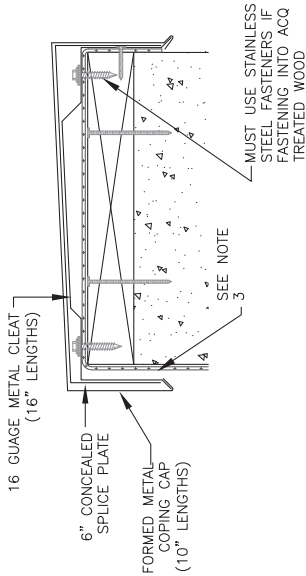
MHSM-6052

REVISION DATE: 01/2013

**MULE-HIDE
PRODUCTS CO., INC.**

NOTES:

1. ALL COPING CAP JOINTS MUST UTILIZE A 6" CONCEALED SPLICE PLATE.
2. ALL JOINTS ARE TO BE SEALED WITH AN APPROVED SEALANT ON TOP (BOTH SIDES OF JOINT) OF THE SPLICE PLATE. ALLOW A 1/4" GAP BETWEEN COPING SECTIONS.
3. LEAVE A 3/8" GAP ON THE INSIDE EDGE BETWEEN THE CLEAT AND THE WALL TO ALLOW THE COPING CAP TO SNAP INTO PLACE.
4. ALL FASTENERS MUST PENETRATE INTO THE NAILED A MINIMUM OF 1 1/2".
5. INSTALL THE COPING CLEAT USING FOUR GROMMETTED HEX HEAD SCREWS. FACE NAIL THE CLEAT USING TWO ROOFING NAILS.
6. INSTALL THE SPLICE PLATE BY LOCATING IT IN THE CENTER OF THE COPING JOINT. APPLY A BEAD OF AN APPROVED SEALANT ON BOTH SIDES OF THE TOP SURFACE OF THE SPLICE PLATE. DO NOT FASTEN THE SPLICE PLATE.
7. INSTALL COPING CAP OVER TOP SPLICE PLATE. BE SURE TO LEAVE A 1/4" GAP BETWEEN SECTIONS OF COPING TO ALLOW FOR EXPANSION AND CONTRACTION.
8. ALL JOINING SURFACES SUCH AS JOINTS, SPLICES, CORNERS, AND END CAPS MUST HAVE AN APPROVED SEALANT APPLIED TO THEM.



NOTE:

THIS DETAIL QUALIFIES TO BE INCLUDED IN ANY MULE-HIDE LABOR AND MATERIAL WARRANTY

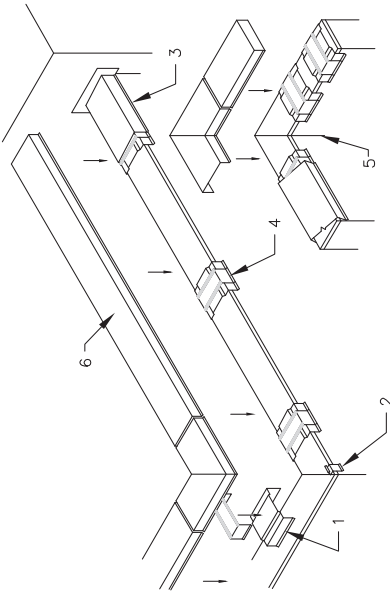
**MULE-HIDE PREMANUFACTURED SNAP COPING SYSTEMS:
ALL MULE-HIDE SYSTEMS**

DETAIL NO.:
MHSM-6054A
REVISION DATE: 01/2013

MULE-HIDE PRODUCTS CO., INC.

NOTES:

1. SNAP CLEATS AT CORNER – PLACE SNAP CLEATS 12" FROM THE CORNER OF THE BUILDING. PULL EACH CLEAT SNUGLY AGAINST THE FACE OF THE BUILDING. INSTALL FOUR GROMMETTED HEX HEAD SCREWS.
2. CORNER SUPPORT CLIPS – CORNER SUPPORT CLIPS ARE TO BE PLACED AT ALL OUTSIDE CORNERS TO SUPPORT THE CAP. SET THE CLIP AWAY FROM THE CORNER ABOUT 1/2". JOINTS MUST BE 12" OR MORE FROM CORNER.
3. SNAP CLEATS AT WALL ENDS – INSTALL THE FIRST SNAP CLEAT APPROXIMATELY 2" FROM THE WALL END.
4. SNAP CLEATS ALONG THE PARAPET – INSTALL SNAP CLEATS ALONG THE LENGTH OF THE PARAPET ON 60" CENTERS. COPING PIECES LONGER THAN 5' MUST HAVE THREE CLEATS: ONE AT EACH END AND ONE IN THE CENTER. MAXIMUM CLEAT SPACING IS 60".
5. INSTALLING COPING CORNER – PLACE THE CONCEALED JOINT SPICE OVER THE ANCHOR CLEAT AT EACH CLEAT LOCATION. HOOK THE FACE OF THE CORNER OVER THE OUTSIDE FACE LEG OF THE CLEAT, ROTATE THE CAP OVER THE TOP OF THE CLEATS, AND SNAP THE ROOF SIDE LEG BY PRESSING DOWN ON THE COPING BACK LEG. JOINTS MUST BE 12" OR MORE FROM EACH CORNER.
6. BEGIN INSTALLING STRAIGHT LENGTHS OF COPING FROM THE ENDS, WORKING INWARD TO THE CENTER, AND LEAVING A 1/4" GAP BETWEEN THE COPING SECTIONS FOR THERMAL EXPANSION. THERE SHOULD BE A CLEAT AT EACH JOINT AND AT LEAST ONE CLEAT IN THE MIDDLE OF EACH SECTION LONGER THAN 5'.



NOTE:

THIS DETAIL QUALIFIES TO BE INCLUDED IN ANY MULE-HIDE LABOR AND MATERIAL WARRANTY

MULE-HIDE PREMANUFACTURED
SNAP COPING
SYSTEMS:
ALL MULE-HIDE SYSTEMS

MULE-HIDE
PRODUCTS CO., INC.

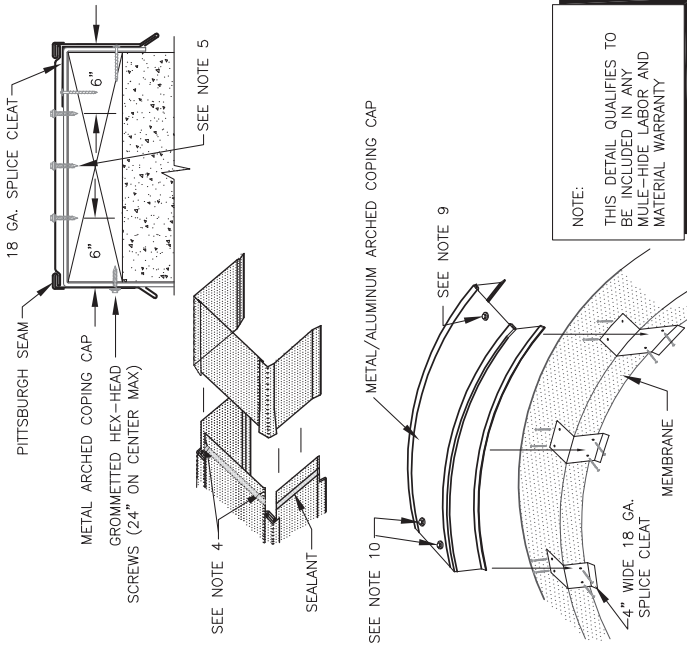
DETAIL NO.:

MHSM-6054B

REVISION DATE: 01/2013

NOTES:

1. ALL JOINTS ARE TO BE SEALED WITH AN APPROVED SEALANT
2. SPLICE CLEATS ARE INSTALLED 24" ON CENTER USING FOUR APPROVED FASTENERS.
3. EDGES PRE-NOTCHED FOR AN OVERLAPPED JOINT.
4. COPING WIDER THAN 16" REQUIRES ADDITIONAL TOP FASTENERS.
5. INSTALL 4" WIDE SPLICE CLEATS 24" ON CENTER USING FOUR APPROVED FASTENERS (MUST POSITION A CLEAT AT EACH JOINT).
6. WHEN MORE THAN ONE ARCHED COPING CAP IS USED, INSTALL THE CAP TO SHED WATER DOWN THE ARCH BY CENTERING ONE SECTION AT THE TOP OF THE ARCH.
7. ADDITIONAL ARCHED COPING SECTIONS ARE PRE-NOTCHED TO PROVIDE AN OVERLAPPED JOINT. APPLY AN APPROVED SEALANT AT ALL COPING JOINTS.
8. COPING 16" TO 24" WIDE WILL REQUIRE A ROW OF HEX-HEAD SCREWS WITH NEOPRENE WASHERS IN THE CENTER.
9. COPING 25" OR WIDER SHALL REQUIRE TWO ROWS OF HEX-HEAD SCREWS WITH NEOPRENE WASHERS. ALL FASTENERS SHALL BE INSTALLED AT 18" ON CENTER ALONG THE LENGTH OF THE COPING.
10. MUST USE STAINLESS STEEL FASTENERS IF FASTENING INTO ACO TREATED WOOD



NOTE:
THIS DETAIL QUALIFIES TO BE INCLUDED IN ANY MULE-HIDE LABOR AND MATERIAL WARRANTY

MULE-HIDE PREMANUFACTURED
ARCHED COPING W/SPLICE PLATE
SYSTEMS:

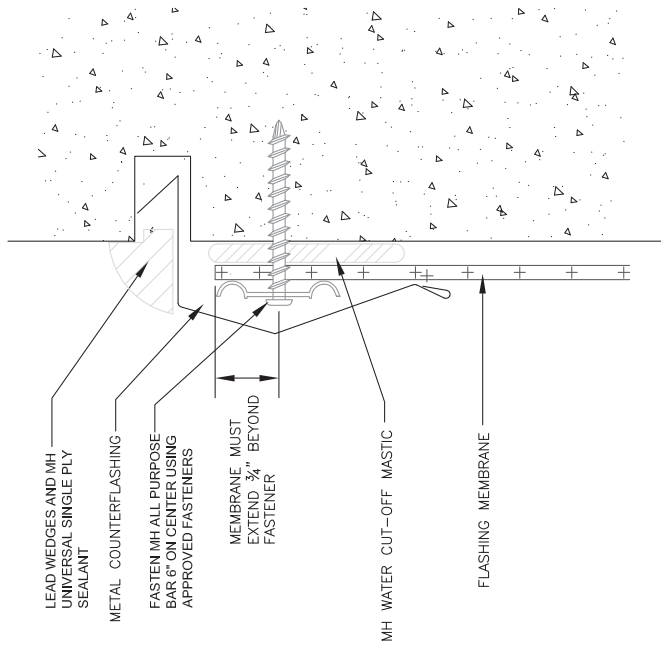
ALL MULE-HIDE SYSTEMS

DETAIL NO.:
MHSM-6056
REVISION DATE: 01/2013

**MULE-HIDE
PRODUCTS CO., INC.**

NOTES:

1. THIS DETAIL IS ONLY APPLICABLE TO CONCRETE OR MASONRY WALLS.
2. MINIMUM TERMINATION HEIGHT FOR ALL FLASHINGS IS 8".



NOTE:

THIS DETAIL QUALIFIES TO BE INCLUDED IN ANY MULE-HIDE LABOR AND MATERIAL WARRANTY

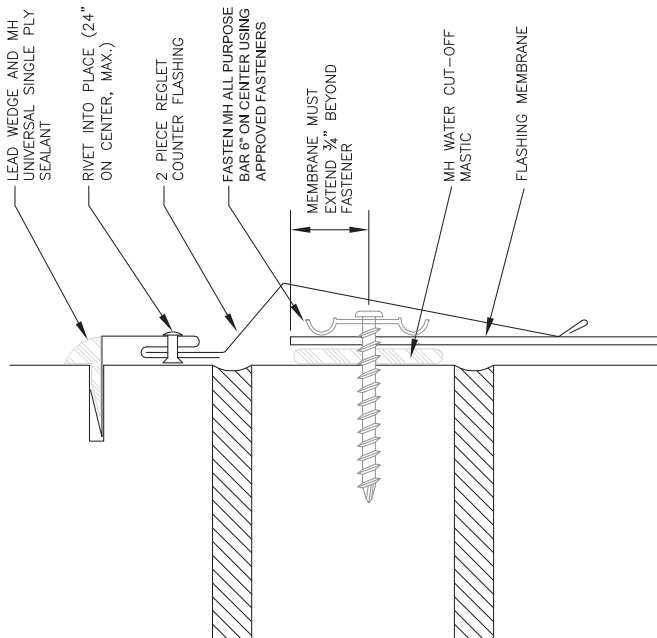
MULE-HIDE PREMANUFACTURED
REGLET COUNTERFLASHING
SYSTEMS:
ALL MULE-HIDE SYSTEMS

DETAIL NO.:

MHSM-6130

REVISION DATE: 01/2013

**MULE-HIDE
PRODUCTS CO., INC.**



NOTES:
 1. THIS DETAIL IS ONLY APPLICABLE TO CONCRETE OR MASONRY WALLS.
 2. MINIMUM TERMINATION HEIGHT FOR ALL FLASHINGS IS 8".

NOTE:
 THIS DETAIL QUALIFIES TO BE INCLUDED IN ANY MULE-HIDE LABOR AND MATERIAL WARRANTY

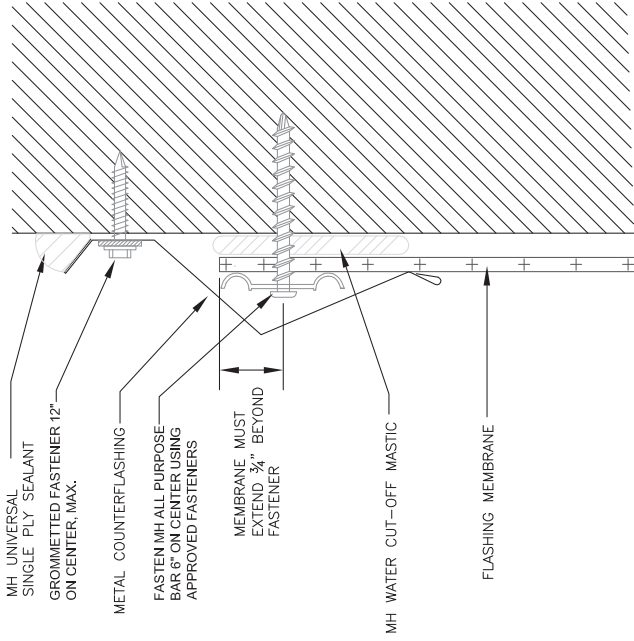
MULE-HIDE PREMANUFACTURED 2-PIECE REGLET COUNTERFLASHING SYSTEMS:
ALL MULE-HIDE SYSTEMS

DETAIL NO.:
MHSM-6145
 REVISION DATE: 01/2013

MULE-HIDE PRODUCTS CO., INC.

NOTES:

1. MINIMUM TERMINATION HEIGHT FOR ALL FLASHINGS IS 8".



NOTE:

THIS DETAIL QUALIFIES TO BE INCLUDED IN ANY MULE-HIDE LABOR AND MATERIAL WARRANTY

MULE-HIDE PREMANUFACTURED
SURFACE MOUNTED COUNTERFLASHING
SYSTEMS:

ALL MULE-HIDE SYSTEMS

DETAIL NO.:

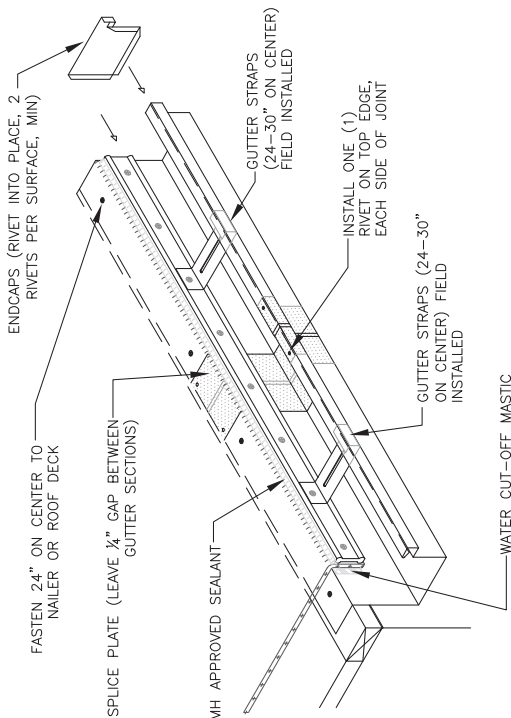
MHSM-6146

REVISION DATE: 01/2013

**MULE-HIDE
PRODUCTS CO., INC.**

NOTES:

1. ALL JOINTS, SPLICES, CORNERS, AND ENDCAPS ARE TO BE RIVETED INTO POSITION. ON SPLICE PLATES, A MINIMUM OF 2 RIVETS AND 2 FASTENERS ARE TO BE USED. SEE DETAIL MHSM-2090 FOR INSTALLATION.
2. ALL JOINTS, SPLICES, CORNERS AND ENDCAPS MUST HAVE APPROVED SEALANT APPLIED TO THEM TO ENSURE A WATER-TIGHT APPLICATION. APPLY A BEAD OF SEALANT TO THE SPLICE PLATE ON BOTH SIDES OF THE JOINT.
3. ONE EXPANSION JOINT SHOULD BE INSTALLED FOR EVERY 40-50 FEET OF GUTTER BEING INSTALLED.
4. DRAINAGE SLOPE AND DRAIN SIZES ARE TO BE DETERMINED BY LOCAL BUILDING CODE REQUIREMENTS AND ARE THE RESPONSIBILITY OF THE CONTRACTOR TO FOLLOW.
5. USE STAINLESS STEEL FASTENERS WHEN ATTACHING INTO ACQ TREATED WOOD.



NOTE:

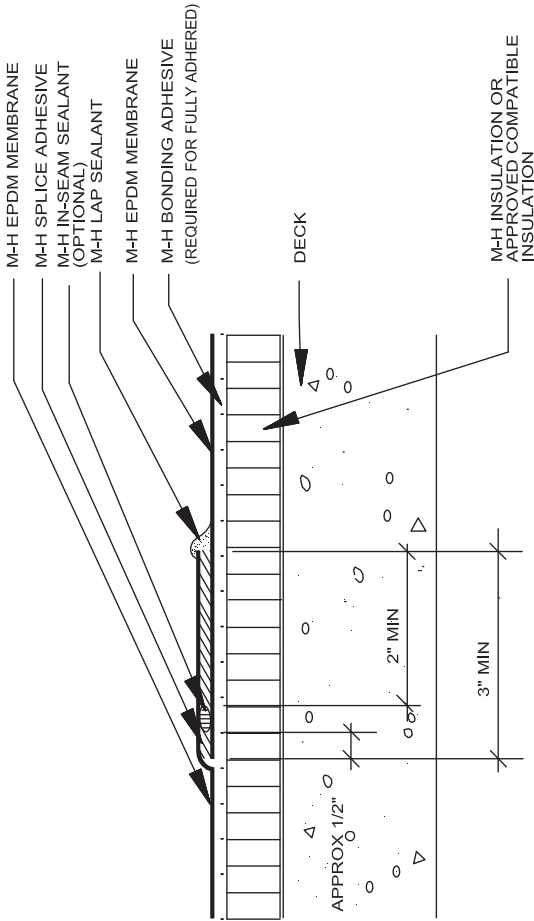
THIS DETAIL IS NOT INCLUDED IN ANY MULE-HIDE LABOR AND MATERIAL WARRANTY

MULE-HIDE PREMANUFACTURED
GUTTER ATTACHMENT X-SERIES DETAILS
SYSTEMS:
ALL ROOFING SYSTEMS

DETAIL NO.:
MHSM-2091

REVISION DATE: 01/2013

**MULE-HIDE
PRODUCTS CO., INC.**

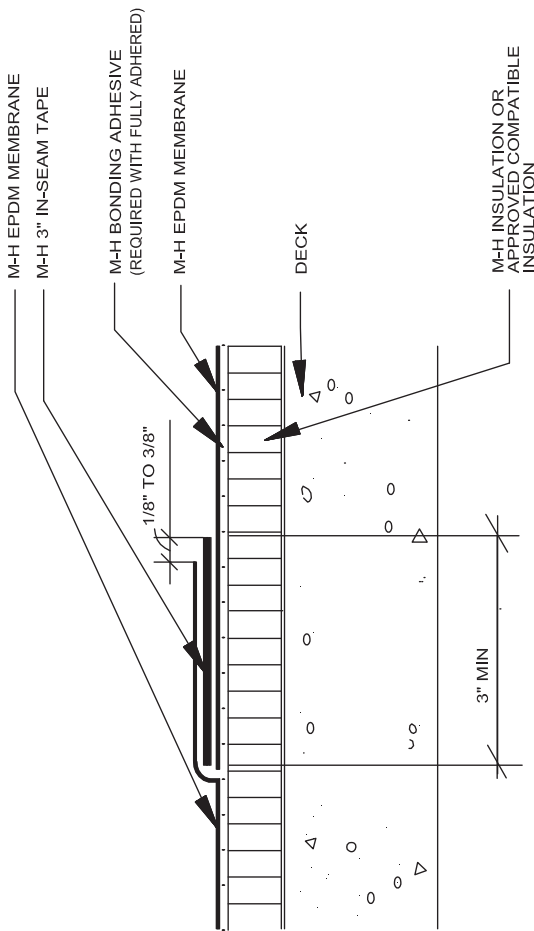


NOTE: MULE HIDE SEAM CLEANER MUST BE USED PRIOR TO APPLICATION OF ADHESIVE AND LAP SEALANT. FOLLOW PROCEDURE IN MANUAL

**MULE-HIDE
PRODUCTS CO., INC.
04/01/2004**

**MEMBRANE SPLICE
WITH SPLICE ADHESIVE -
3" SEAM
SYSTEMS:
ALL**

DETAIL NO.:
MHE-110



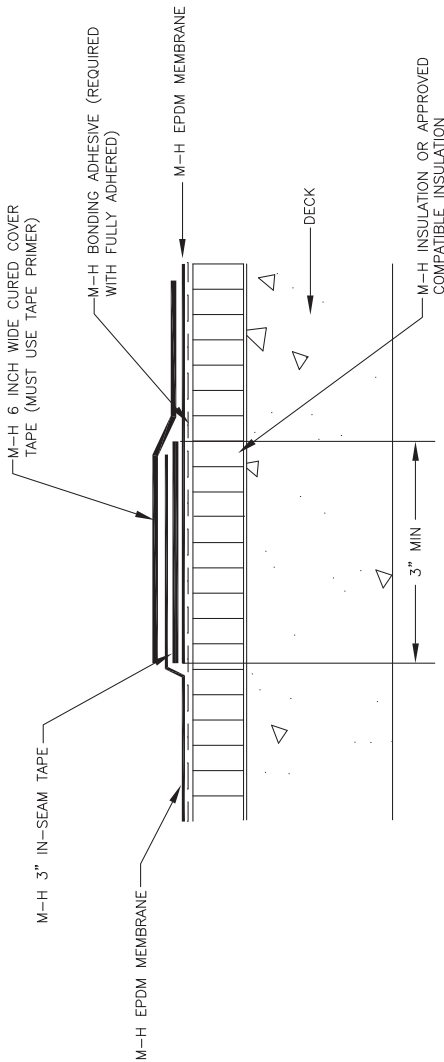
NOTE: MULE HIDE TAPE PRIMER MUST BE USED PRIOR TO APPLICATION OF IN-SEAM TAPE. FOLLOW PROCEDURE IN MANUAL.

**MULE-HIDE
PRODUCTS CO., INC.
04/01/2004**

MEMBRANE SPLICE
W/ 3" IN-SEAM TAPE

SYSTEMS:
ALL

DETAIL NO.:
MHE-111



NOTE:

MULE-HIDE TAPE PRIMER MUST BE USED PRIOR TO APPLICATION OF IN-SEAM TAPE. FOLLOW PROCEDURE IN MANUAL.

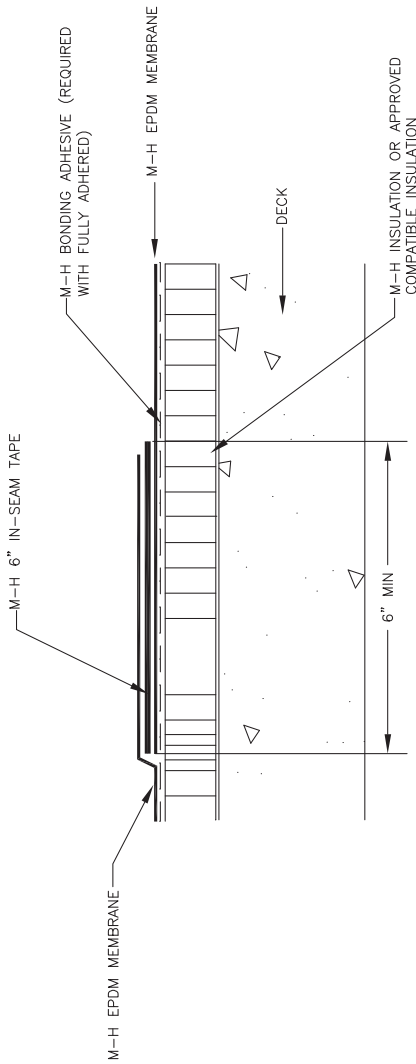
THIS DETAIL IS ACCEPTABLE FOR USE IN A 20-YEAR WARRANTED SYSTEM IN BALLASTED OR FULLY ADHERED SYSTEMS.

**MULE-HIDE
PRODUCTS CO., INC.**
12/01/2008

**MEMBRANE SPLICE
W/3" IN-SEAM TAPE
SYSTEMS:
BALLASTED, FULLY ADHERED
LIVING ROOF**

DETAIL NO.:

MHE-111A



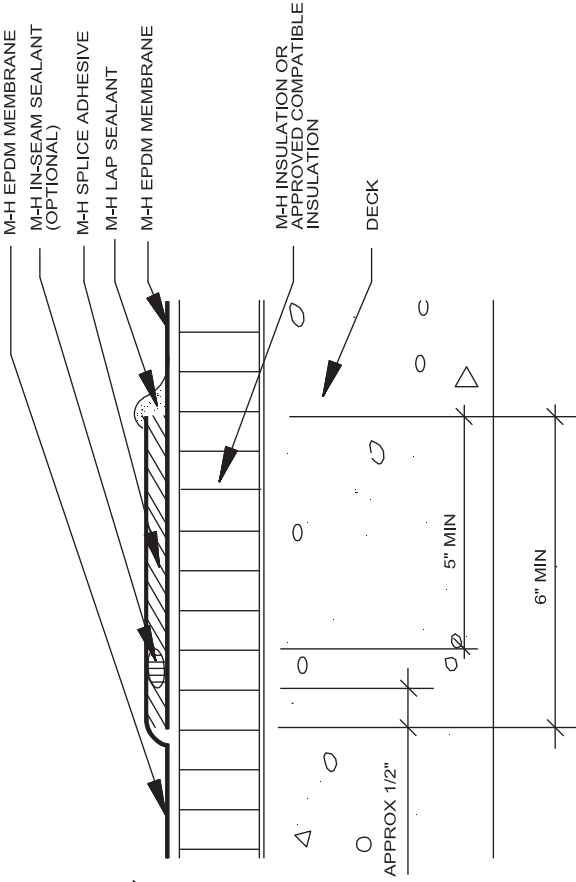
NOTE:

MULE-HIDE TAPE PRIMER MUST BE USED PRIOR TO APPLICATION OF IN-SEAM TAPE. FOLLOW PROCEDURE IN MANUAL.

THIS DETAIL IS ACCEPTABLE FOR USE IN A 20-YEAR WARRANTED SYSTEM.

<p>MULE-HIDE PRODUCTS CO., INC. 12/01/2008</p>	<p>MEMBRANE SPLICE W/6" IN-SEAM TAPE SYSTEMS: ALL</p>	<p>DETAIL NO.: MHE-111B</p>
--	--	--

NOTE: MUST USE SEAM
CLEANER PRIOR TO
APPLICATION OF SPLICE
ADHESIVE - TAPE PRIMER MAY
BE USED AS A SUBSTITUTE
FOR SEAM CLEANER



**MULE-HIDE
PRODUCTS CO., INC.
04/01/2004**

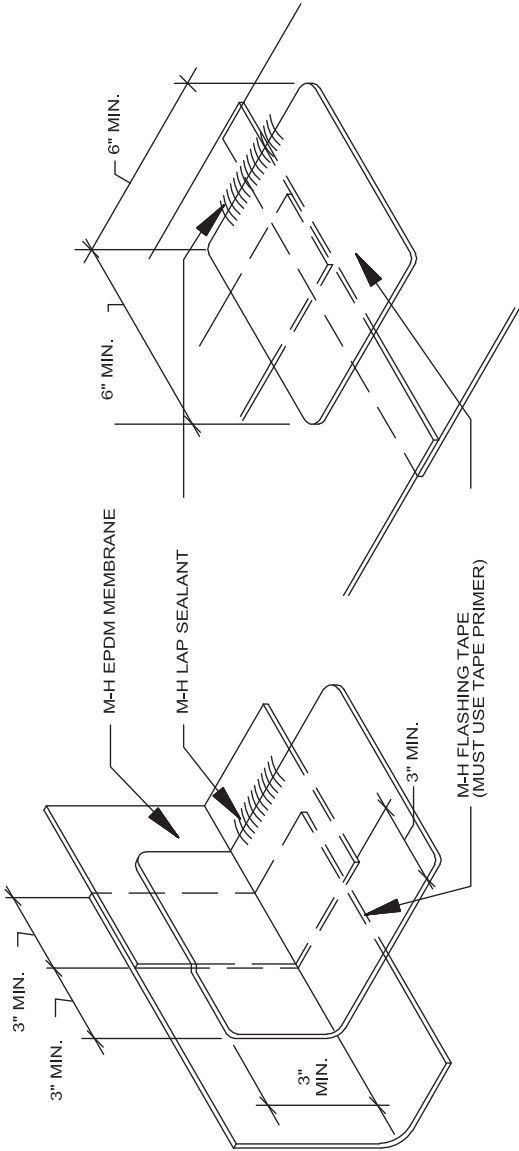
MEMBRANE SPLICE W/
SPLICE ADHESIVE - 6" SEAM

SYSTEMS:
ALL

DETAIL NO.:

MHE-115

NOTE: LAP SEALANT MUST BE APPLIED
ALONG ALL EDGES OF PATCH



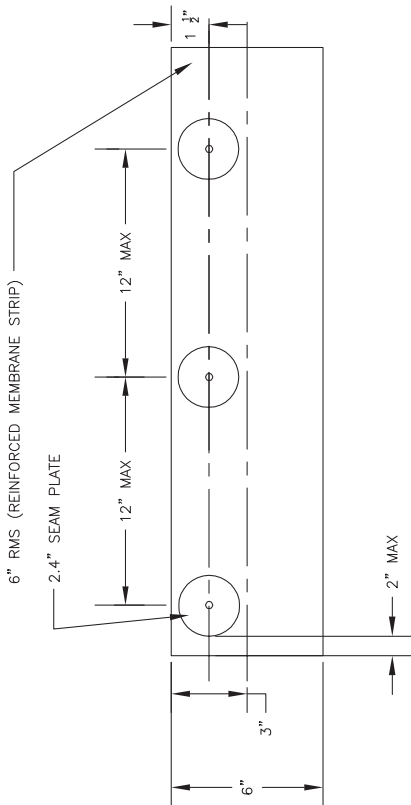
**MULE-HIDE
PRODUCTS CO., INC.
04/01/2004**

END LAP & T-JOINT DETAIL

DETAIL NO.:

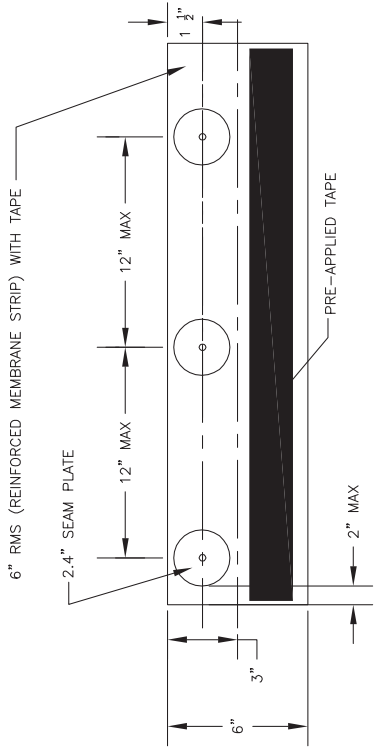
MHE-118

SYSTEMS:
ALL



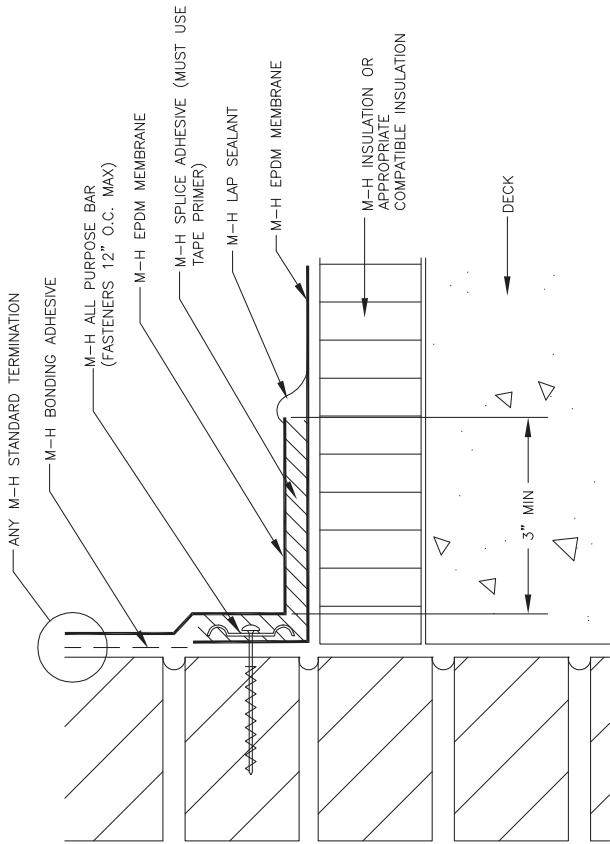
NOTE: NOT TO SCALE. FOR ILLUSTRATION PURPOSES ONLY

MULE-HIDE PRODUCTS CO., INC. 2010	6" RMS ATTACHMENT STRIP	DETAIL NO.: MHE-119
	SYSTEMS: ALL	

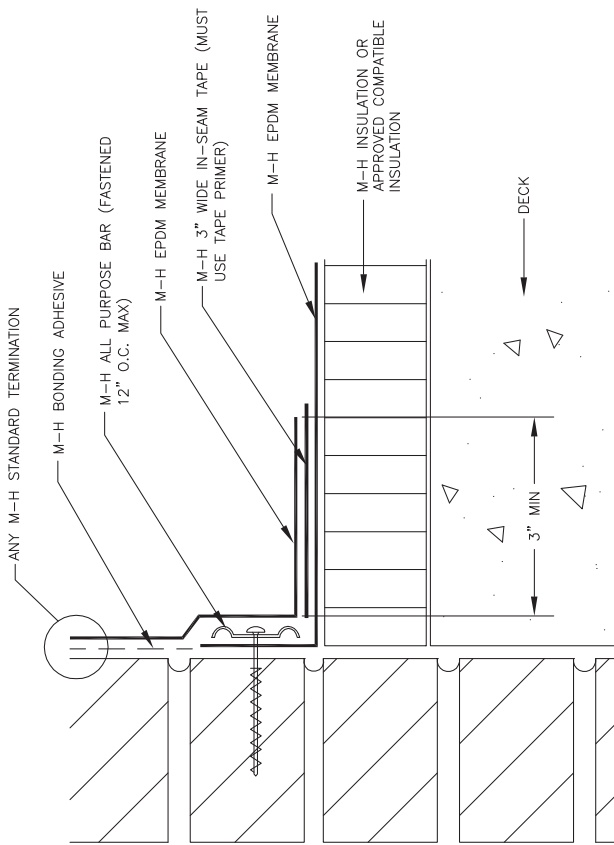


NOTE: NOT TO SCALE. FOR ILLUSTRATION PURPOSES ONLY

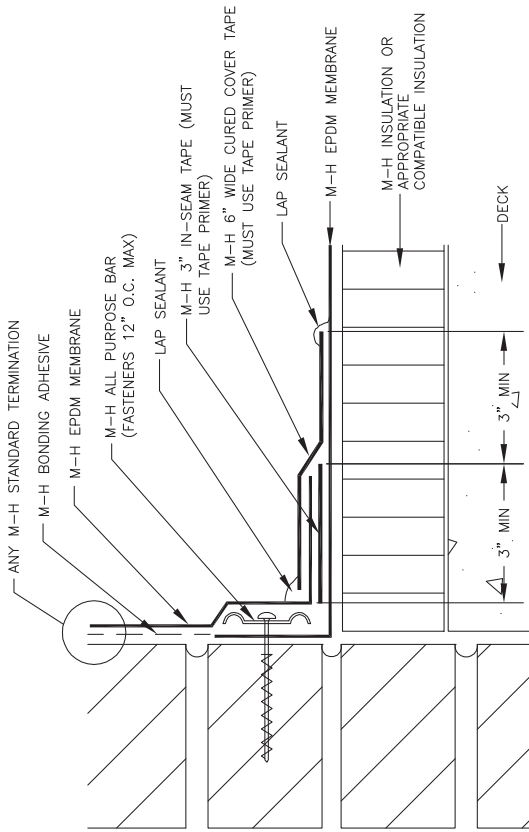
MULE-HIDE PRODUCTS CO., INC. 2010	6" RMS WITH TAPE	DETAIL NO.: MHE-119A
	SYSTEMS: ALL	



<p>MULE-HIDE PRODUCTS CO., INC. 12/01/2008</p>	<p>PARAPET/CURB FLASHING A-P BAR VERTICAL ATTACHMENT SYSTEMS: ALL</p>	<p>DETAIL NO.: MHE-120</p>
--	--	---



MULE-HIDE PRODUCTS CO., INC. 12/01/2008	PARAPET/CURB FLASHING A-P BAR VERTICAL ATTACHMENT SYSTEMS: ALL	DETAIL NO.: MHE-120A
---	---	---------------------------------------

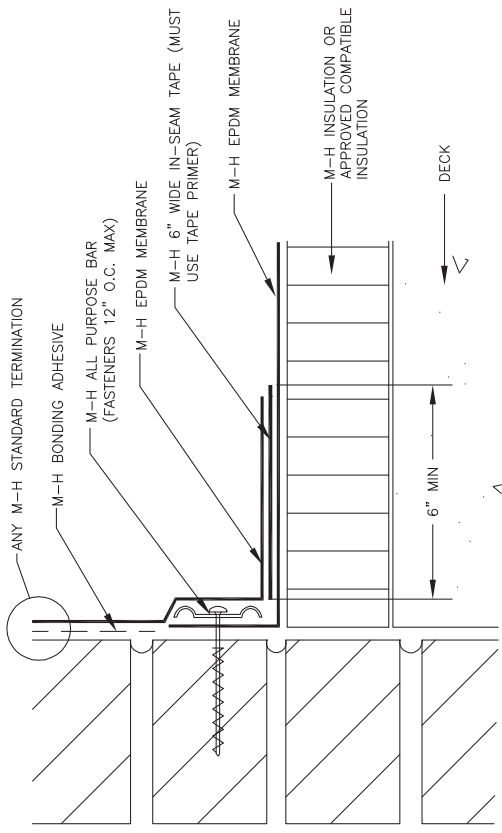


NOTE:
THIS DETAIL IS ACCEPTABLE FOR USE IN
A 20-YEAR WARRANTED SYSTEM

**PARAPET/CURB FLASHING A-P BAR
VERTICAL ATTACHMENT
SYSTEMS:
BALLASTED, FULLY ADHERED, LIVING ROOF**

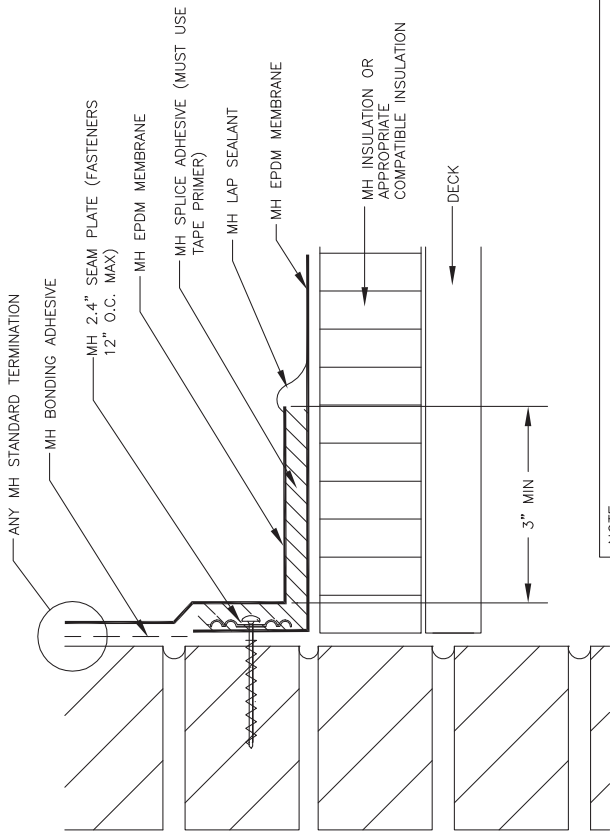
DETAIL NO.:
MHE-120B

**MULE-HIDE
PRODUCTS CO., INC.**
12/01/2008



NOTE:
 THIS DETAIL IS ACCEPTABLE FOR USE IN
 A 20-YEAR WARRANTED SYSTEM

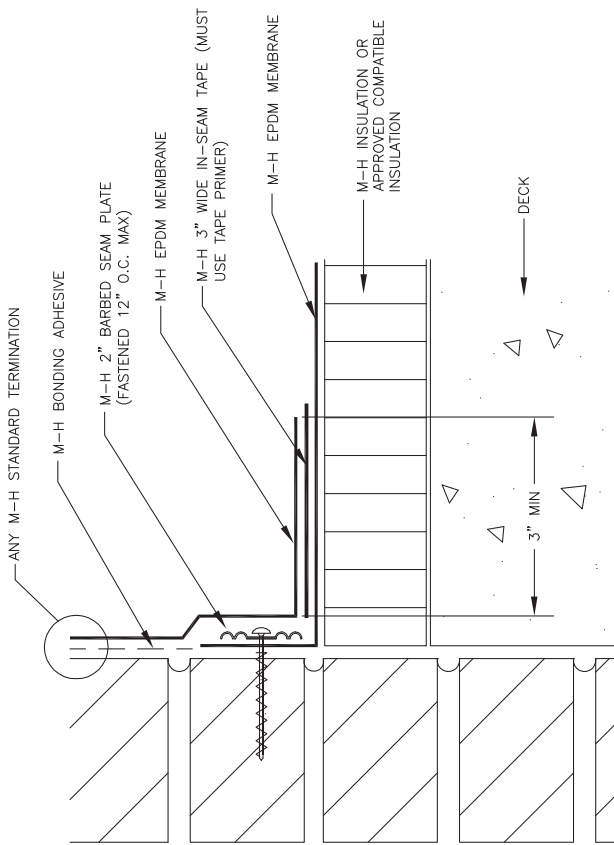
<p>MULE-HIDE PRODUCTS CO., INC. 12/01/2008</p>	<p>PARAPET/CURB FLASHING A-P BAR VERTICAL ATTACHMENT SYSTEMS: ALL</p>	<p>DETAIL NO.: MHE-120C</p>
--	---	--



NOTE:

THIS DETAIL IS NOT ACCEPTABLE FOR A 15 OR 20 YEAR WARRANTY.

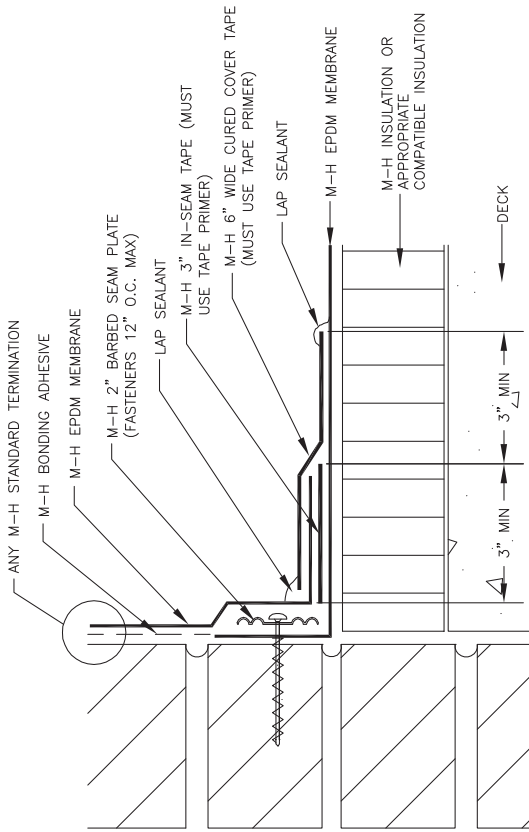
<p>MULE-HIDE PRODUCTS CO., INC. 12/01/2008</p>	<p>PARAPET / CURB FLASHING W/ 2.4" SEAM PLATES / VERTICAL ATTACHMENT SYSTEMS: REINFORCED MEMBRANES ONLY</p>	<p>DETAIL NO.: MHE-121</p>
--	---	---



DETAIL NO.:
MHE-121A

PARAPET/CURB FLASHING 2" BARBED SEAM PLATES/VERTICAL ATTACHMENT SYSTEMS:
REINFORCED MEMBRANES ONLY

MULE-HIDE PRODUCTS CO., INC.
12/01/2008



NOTE:

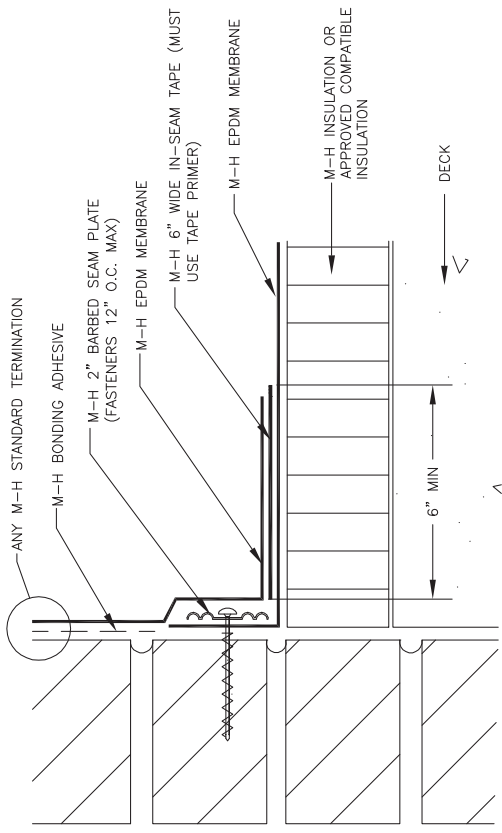
THIS DETAIL IS ACCEPTABLE FOR USE IN
A 20-YEAR WARRANTED SYSTEM

MULE-HIDE
PRODUCTS CO., INC.
12/01/2008

**PARAPET/CURB FLASHING 2" BARBED
SEAM PLATES/VERTICAL ATTACHMENT
SYSTEMS:
REINFORCED MEMBRANES ONLY**

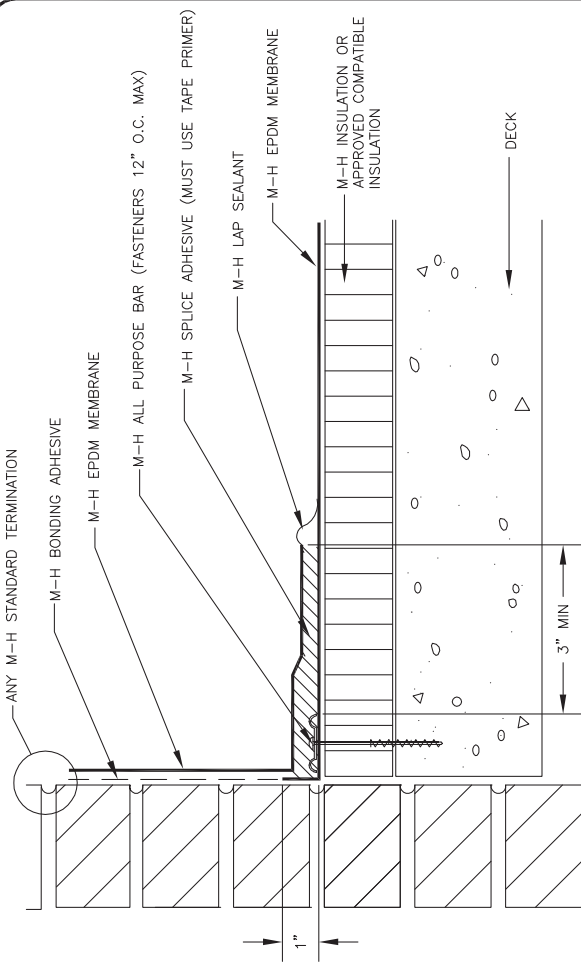
DETAIL NO.:

MHE-121B

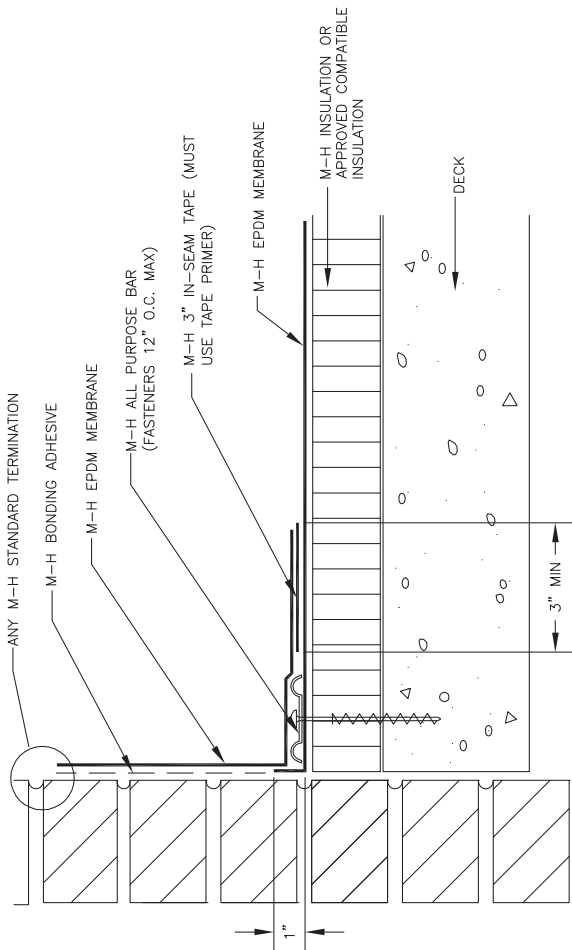


NOTE:
 THIS DETAIL IS ACCEPTABLE FOR USE IN
 A 20-YEAR WARRANTED SYSTEM

<p>MULE-HIDE PRODUCTS CO., INC. 12/01/2008</p>	<p>PARAPET/CURB FLASHING 2" BARBED SEAM PLATES/VERTICAL ATTACHMENT SYSTEMS: REINFORCED MEMBRANES ONLY</p>	<p>DETAIL NO.: MHE-121C</p>
--	--	--



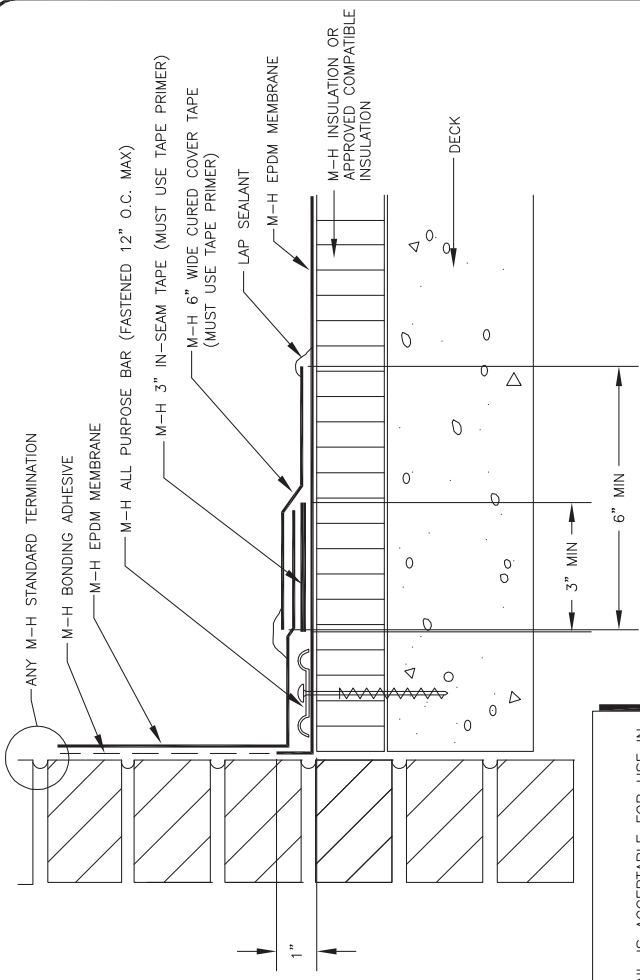
MULE-HIDE PRODUCTS CO., INC. 12/01/2008	PARAPET/CURB FLASHING W/A-P BAR HORIZONTAL	DETAIL NO.: MHE-122
	SYSTEMS: FULLY ADHERED & BALLASTED ONLY	



DETAIL NO.:
MHE-122A

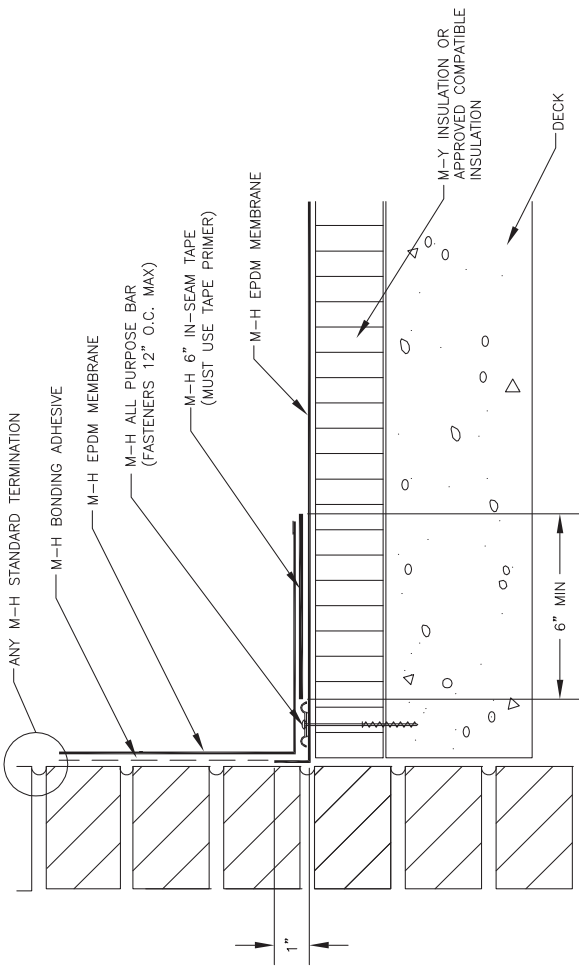
**PARAPET/CURB FLASHING W/A-P BAR
 HORIZONTAL
 SYSTEMS:
 ALL**

**MULE-HIDE
 PRODUCTS CO., INC.
 12/1/2008**



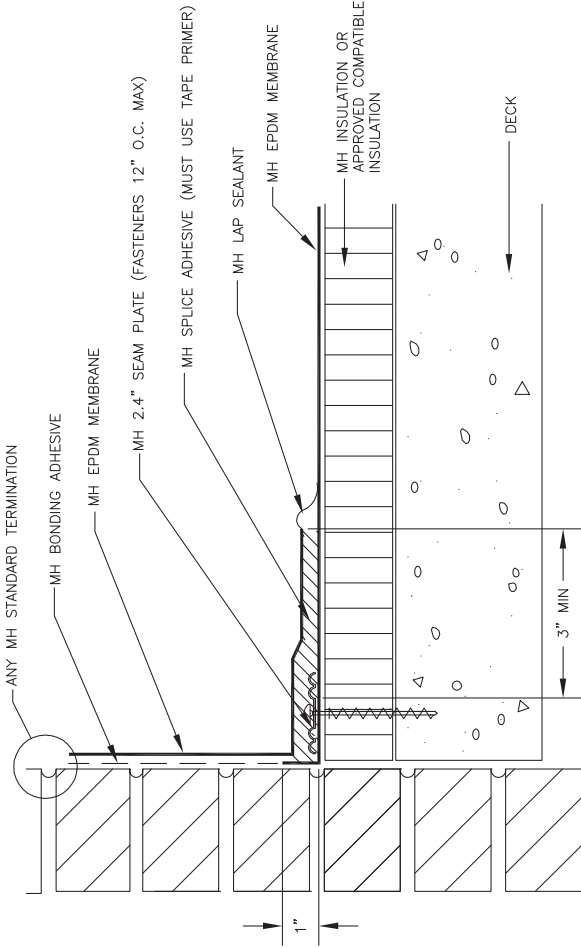
NOTE:
 THIS DETAIL IS ACCEPTABLE FOR USE IN
 A 20-YEAR WARRANTED SYSTEM

MULE-HIDE PRODUCTS CO., INC. 12/01/2008	PARAPET/CURB FLASHING W/A-P BAR HORIZONTAL SYSTEMS: ALL	DETAIL NO.: MHE-122B



NOTE:
 THIS DETAIL IS ACCEPTABLE FOR USE IN
 A 20-YEAR WARRANTED SYSTEM

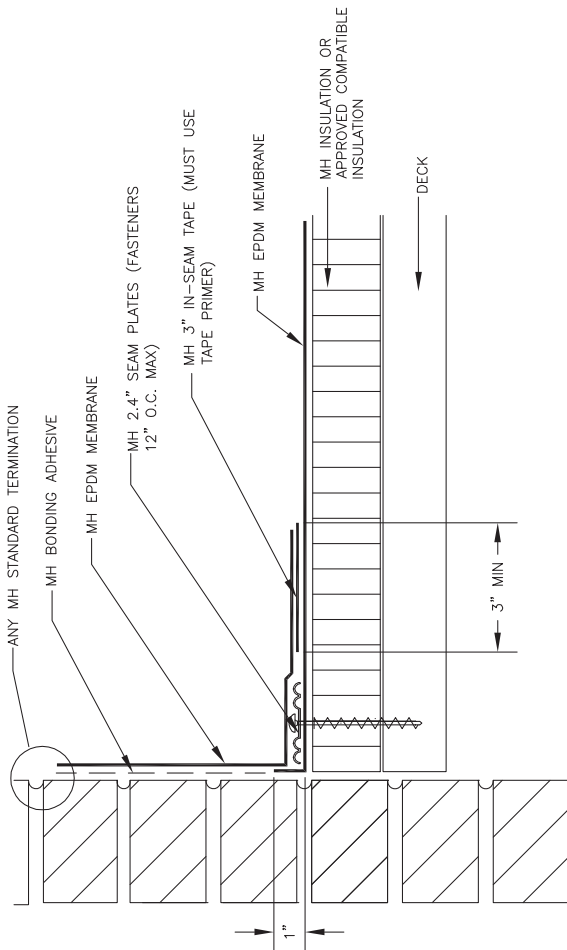
DETAIL NO.: MHE-122C	PARAPET/CURB FLASHING W/A-P BAR - HORIZONTAL SYSTEMS: ALL	MULE-HIDE PRODUCTS CO., INC. 12/01/2008
---------------------------------------	---	--



DETAIL NO.:
MHE-123

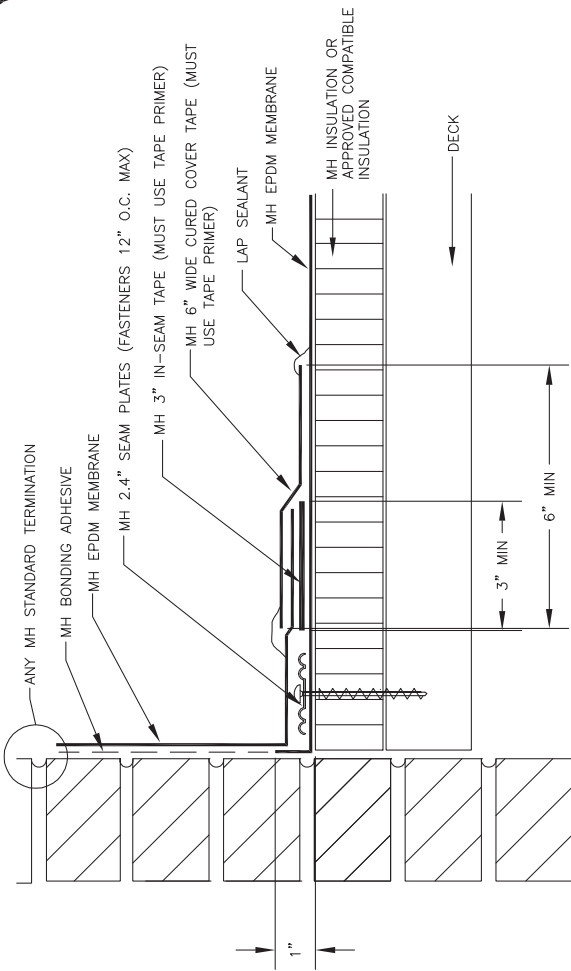
**PARAPET / CURB FLASHING W/
2.4" SEAM PLATES / HORIZONTAL
SYSTEMS:
REINFORCED MEMBRANES ONLY**

**MULE-HIDE
PRODUCTS CO., INC.**
12/01/2008



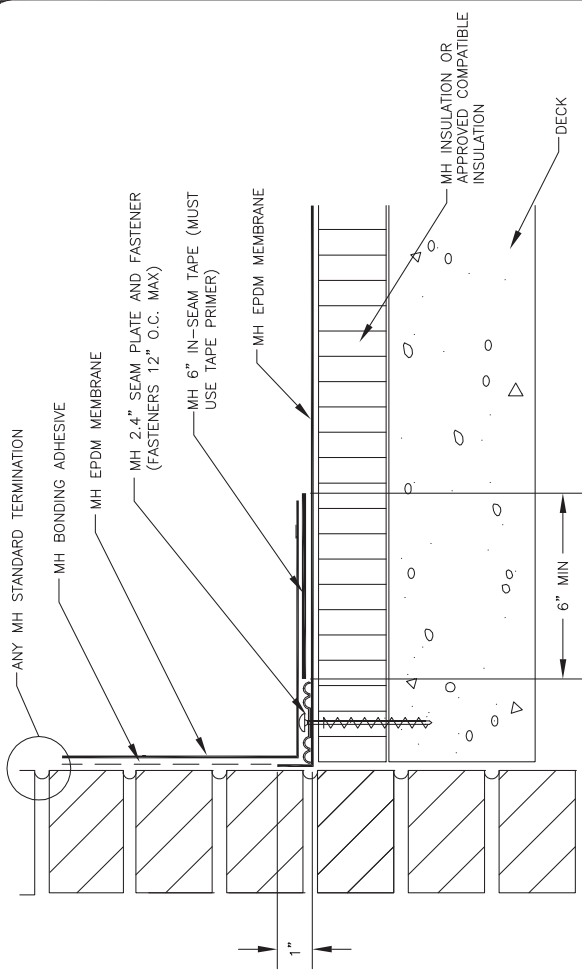
NOTE:
 THIS DETAIL IS ACCEPTABLE FOR A 10 OR 15 YEAR WARRANTY.

<p>MULE-HIDE PRODUCTS CO., INC. 12/1/2008</p>	<p>PARAPET / CURB FLASHING W 2.4" SEAM PLATES - HORIZONTAL SYSTEMS: REINFORCED MEMBRANES ONLY</p>	<p>DETAIL NO.: MHE-123A</p>
---	---	--



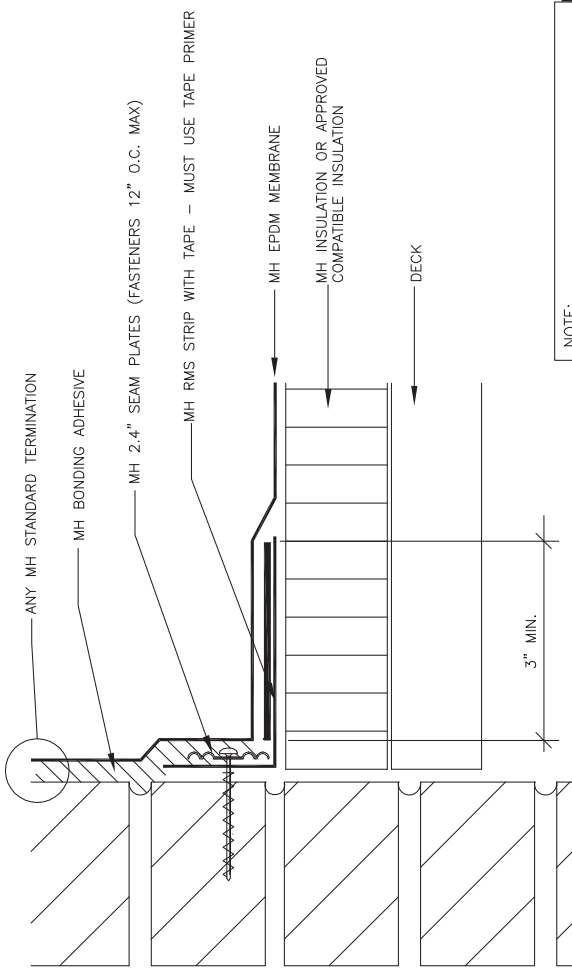
NOTE:
 THIS DETAIL IS ACCEPTABLE FOR USE IN
 A 20-YEAR WARRANTED SYSTEM

<p>MULE-HIDE PRODUCTS CO., INC. 12/01/2008</p>	<p>PARAPET / CURB FLASHING W/ 2.4" SEAM PLATES - HORIZONTAL SYSTEMS: REINFORCED MEMBRANES ONLY</p>	<p>DETAIL NO.: MHE-123B</p>
---	--	--



NOTE:
 THIS DETAIL IS ACCEPTABLE FOR USE IN
 A 20-YEAR WARRANTED SYSTEM

<p>MULE-HIDE PRODUCTS CO., INC. 12/01/2008</p>	<p>PARAPET / CURB FLASHING W / 2.4" SEAM PLATES - HORIZONTAL SYSTEMS: REINFORCED MEMBRANES ONLY</p>	<p>DETAIL NO.: MHE-123C</p>
--	--	--



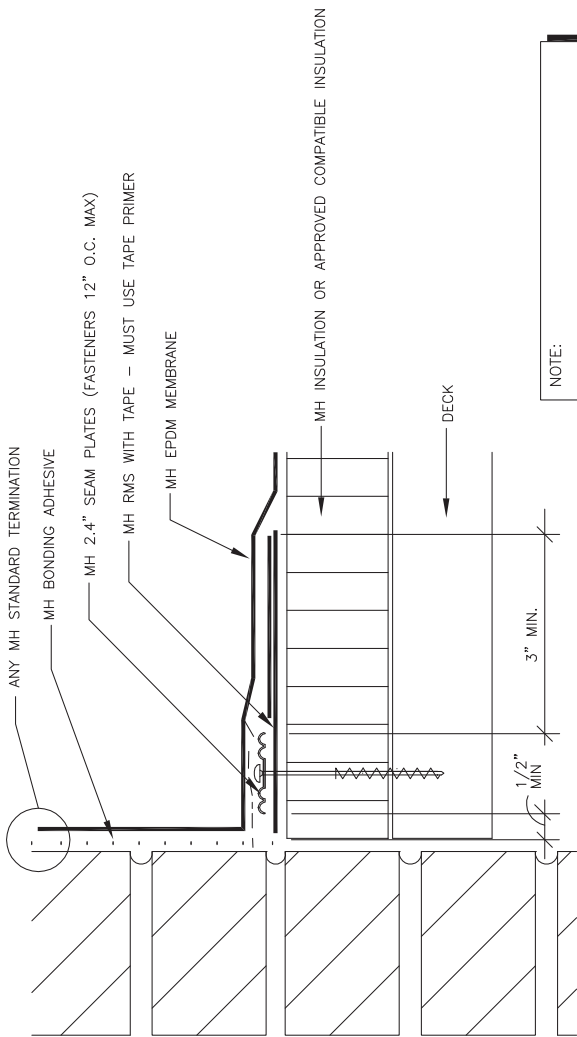
NOTE:
 THIS DETAIL IS ACCEPTABLE FOR USE IN
 A 20-YEAR WARRANTED SYSTEM

**MULE-HIDE
 PRODUCTS CO., INC.**
 2010

**PARAPET / CURB FLASHING
 RMS W / TAPE - VERTICAL
 SYSTEMS:**

ALL

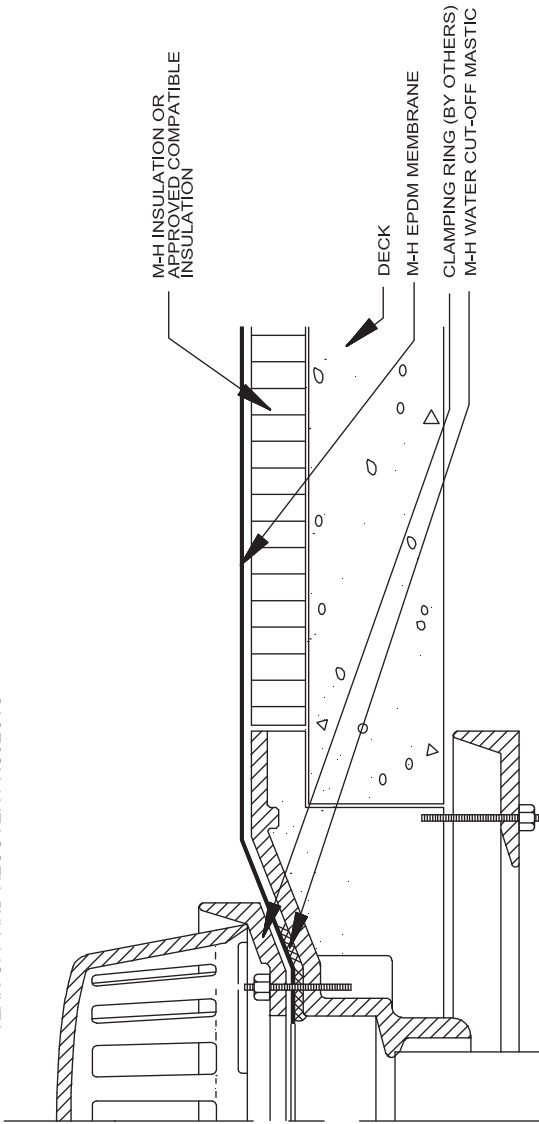
DETAIL NO.:
MHE-124A



NOTE:
 THIS DETAIL IS ACCEPTABLE FOR USE IN
 A 20-YEAR WARRANTED SYSTEM

MULE-HIDE PRODUCTS CO., INC. 2010	PARAPET / CURB FLASHING RMS W / TAPE - HORIZONTAL SYSTEMS:	DETAIL NO.: MHE-125A
	ALL	

NOTE: ALL LEAD AND OTHER FLASHING MATERIAL MUST BE REMOVED ON
TEAR-OFF AND RECOVER PROJECTS

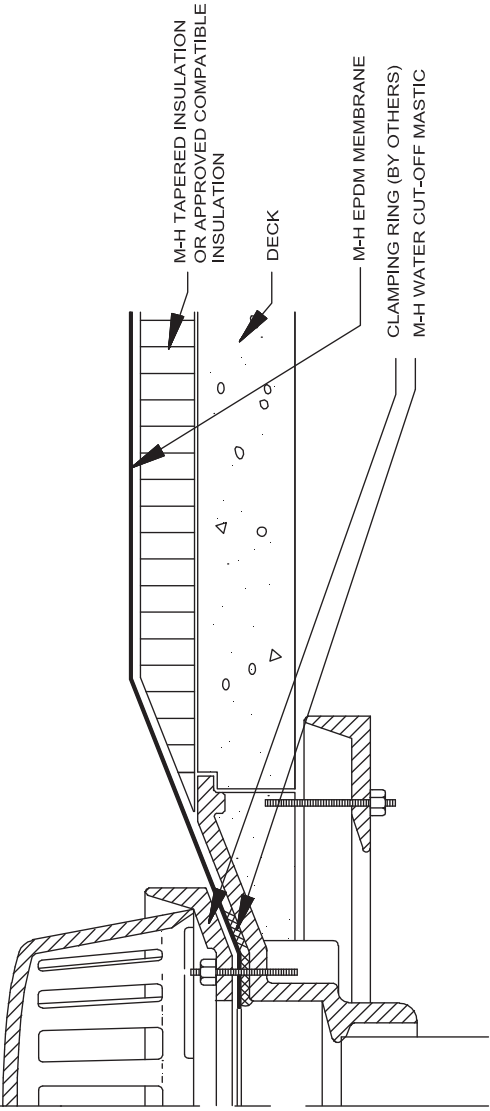


**MULE-HIDE
PRODUCTS CO., INC.
04/01/2004**

ROOF DRAIN
SYSTEMS:
ALL

DETAIL NO.:
MHE-130

- NOTE: 1. FOR ROOF DRAIN SUMPS LESS THAN 2 INCHES INCLINE.
 2. ALL LEAD AND OTHER FLASHING MUST BE REMOVED ON
 TEAR-OFF AND ALL RECOVER PROJECTS.



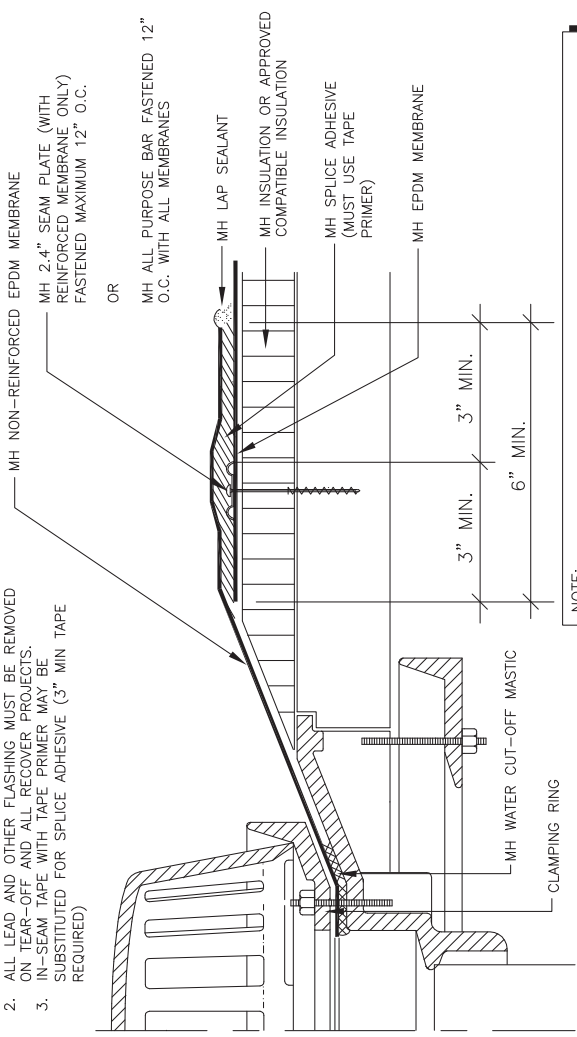
**MULE-HIDE
 PRODUCTS CO., INC.
 04/01/2004**

ROOF DRAIN
 W/ TAPERED INSULATION
 SYSTEMS:
 ALL

DETAIL NO.:
MHE-131

NOTE:

1. FOR ROOF DRAIN SUMPS LESS THAN 2" INCLINE.
2. ALL LEAD AND OTHER FLASHING MUST BE REMOVED ON TEAR-OFF AND ALL RECOVER PROJECTS.
3. IN-SEAM TAPE WITH TAPE PRIMER MAY BE SUBSTITUTED FOR SPLICE ADHESIVE (3" MIN TAPE REQUIRED)



NOTE:

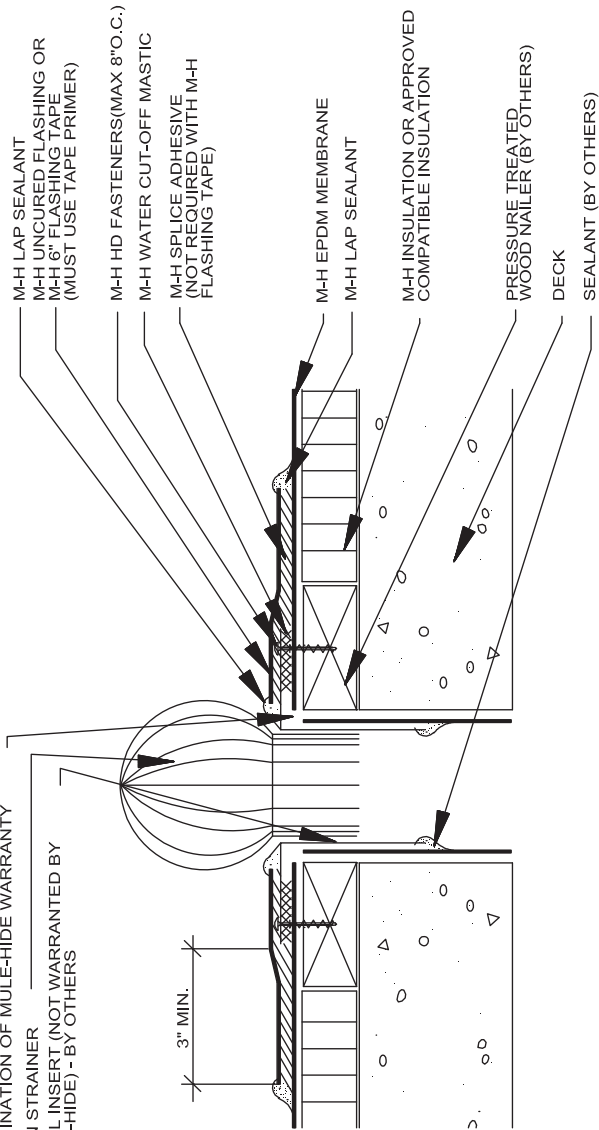
THIS DETAIL IS NOT ACCEPTABLE FOR A 15 OR 20 YEAR WARRANTY.

**MULE-HIDE
PRODUCTS CO., INC.**
2010

**ROOF DRAIN
WITH SUMP
SYSTEMS:**
ALL

DETAIL NO.:
MHE-132

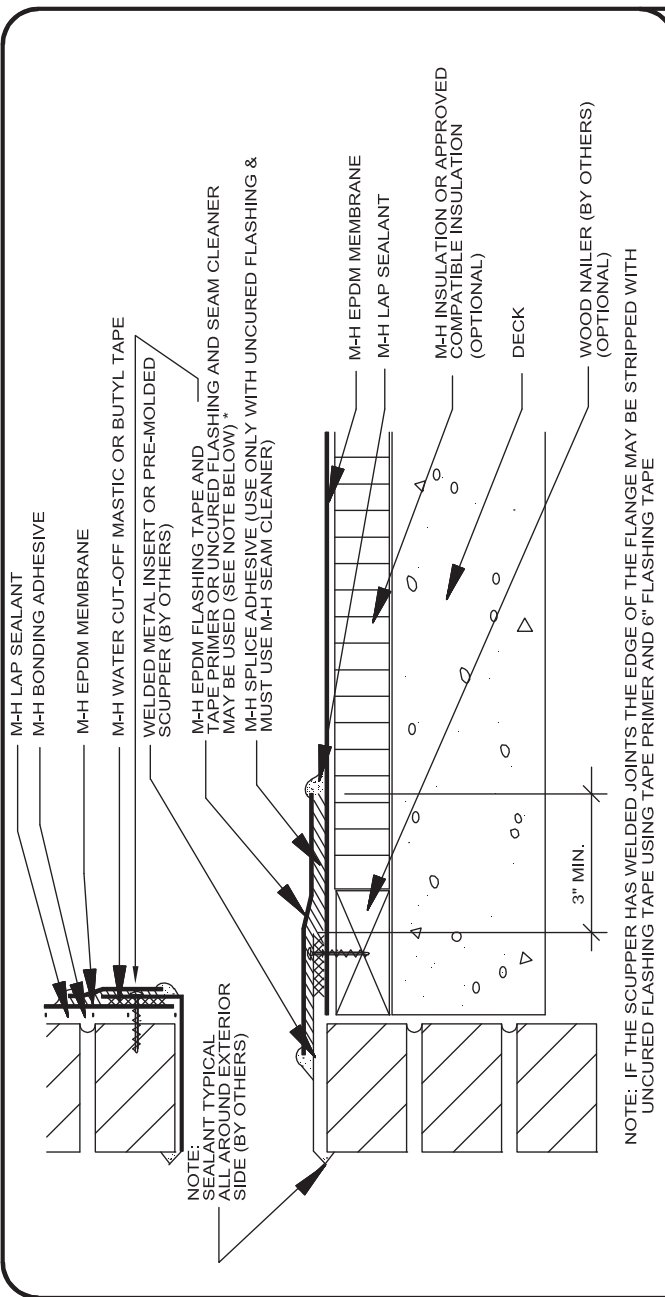
TERMINATION OF MULE-HIDE WARRANTY
 DRAIN STRAINER
 METAL INSERT (NOT WARRANTED BY
 MULE-HIDE) - BY OTHERS



MULE-HIDE
PRODUCTS CO., INC.
04/01/2004

DRAIN INSERT
 SYSTEMS:
 ALL

DETAIL NO.:
MHE-133

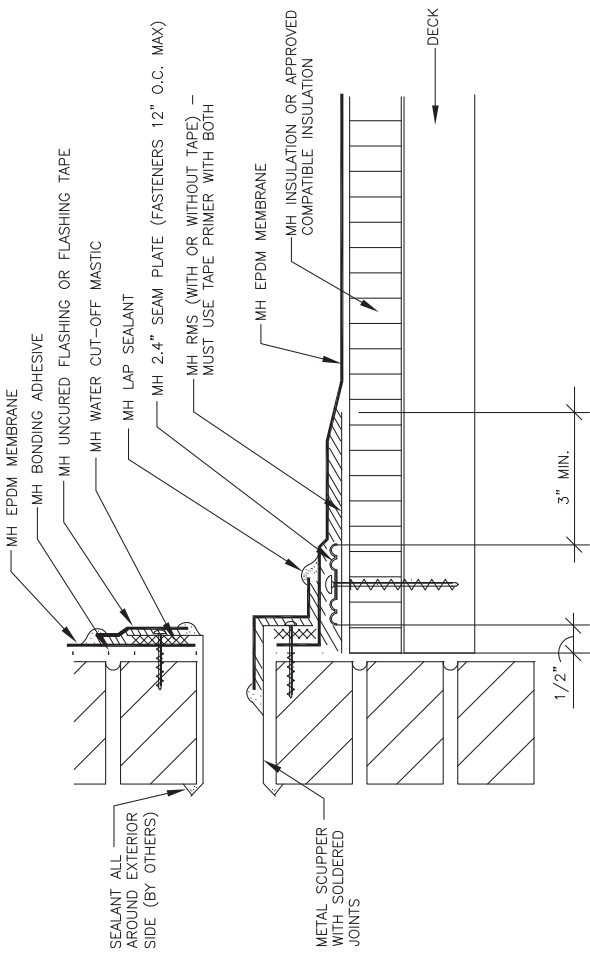


NOTE: IF THE SCUPPER HAS WELDED JOINTS THE EDGE OF THE FLANGE MAY BE STRIPPED WITH UNCURED FLASHING TAPE USING TAPE PRIMER AND 6" FLASHING TAPE

DETAIL NO.:
MHE-134
B

THROUGH WALL SCUPPER
 WITH METAL INSERT
 SYSTEMS:
 ALL

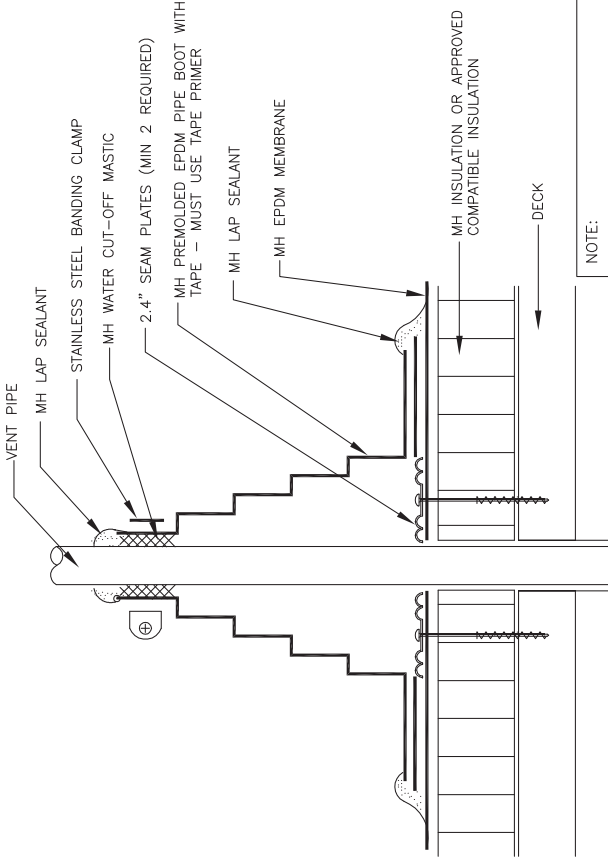
MULE-HIDE
PRODUCTS CO., INC.
04/01/2004



DETAIL NO.:
MHE-135

**THROUGH WALL OVERFLOW SCUPPER
WITH METAL INSERT**
SYSTEMS:
ALL

**MULE-HIDE
PRODUCTS CO., INC.**
2010



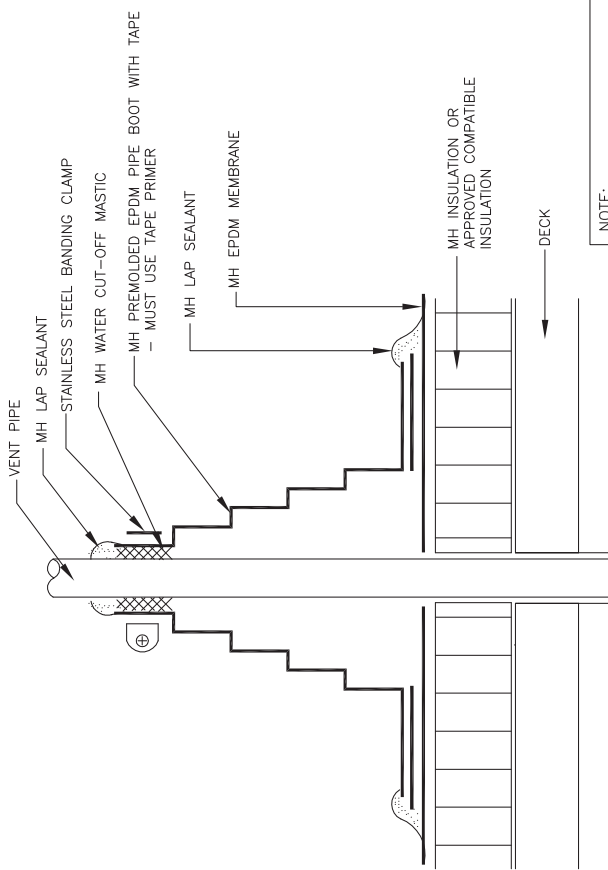
NOTE:
THIS DETAIL IS ACCEPTABLE FOR USE IN
A 20-YEAR WARRANTED SYSTEM

**PREFORMED EPDM PIPE BOOT
WITH TAPE
SYSTEMS:**

MECHANICALLY FASTENED

**MULE-HIDE
PRODUCTS CO., INC.
2010**

DETAIL NO.:
MHE-140A



NOTE:

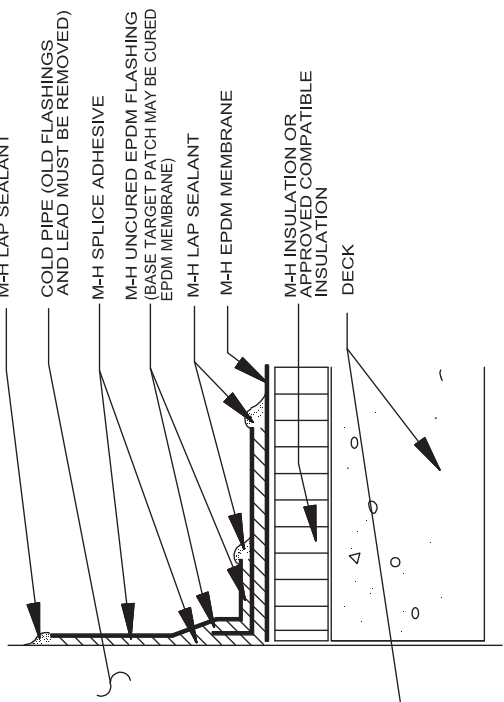
THIS DETAIL IS ACCEPTABLE FOR USE IN
A 20-YEAR WARRANTED SYSTEM

**MULE-HIDE
PRODUCTS CO., INC.**
2010

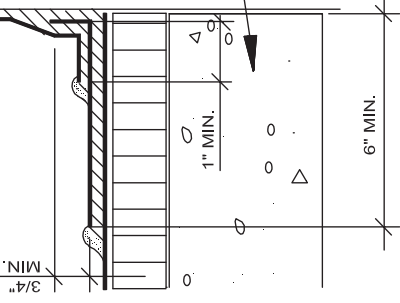
**PREMOLDED EPDM PIPE BOOT
WITH TAPE
SYSTEMS:
BALLASTED AND FULLY ADHERED**

DETAIL NO.:

MHE-140C



- NOTE:
1. FLASHING TAPES MAY BE SUBSTITUTED FOR UNCURED EPDM FLASHING
 2. MINIMUM FLASHING HEIGHT TO BE 8" WHERE POSSIBLE



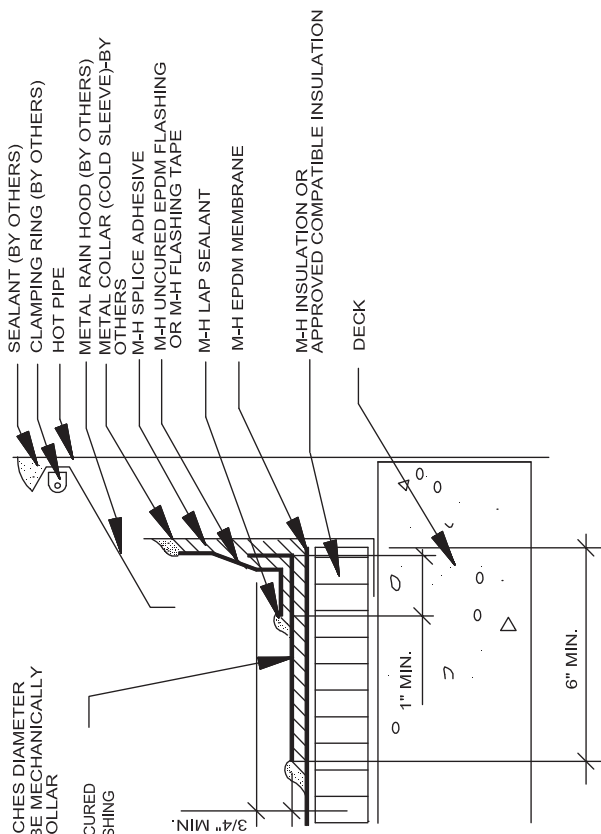
NOTE: IF USING UNCURED FLASHING, PREP EPDM MEMBRANE AND PIPE WITH SEAM CLEANER PRIOR TO APPLYING SPLICE ADHESIVE. IF USING FLASHING TAPE, PREP WITH TAPE PRIMER.

**MULE-HIDE
PRODUCTS CO., INC.
04/01/2004**

FIELD FABRICATED
PIPE FLASHING
SYSTEMS:
ALL

DETAIL NO.:
MHE-141

NOTE:
FOR ALL PIPES OVER 6 INCHES DIAMETER
FIELD MEMBRANE MUST BE MECHANICALLY
ATTACHED AT BASE OF COLLAR



BASE TARGET PATCH MAY BE CURED
MEMBRANE OR UNCURED FLASHING

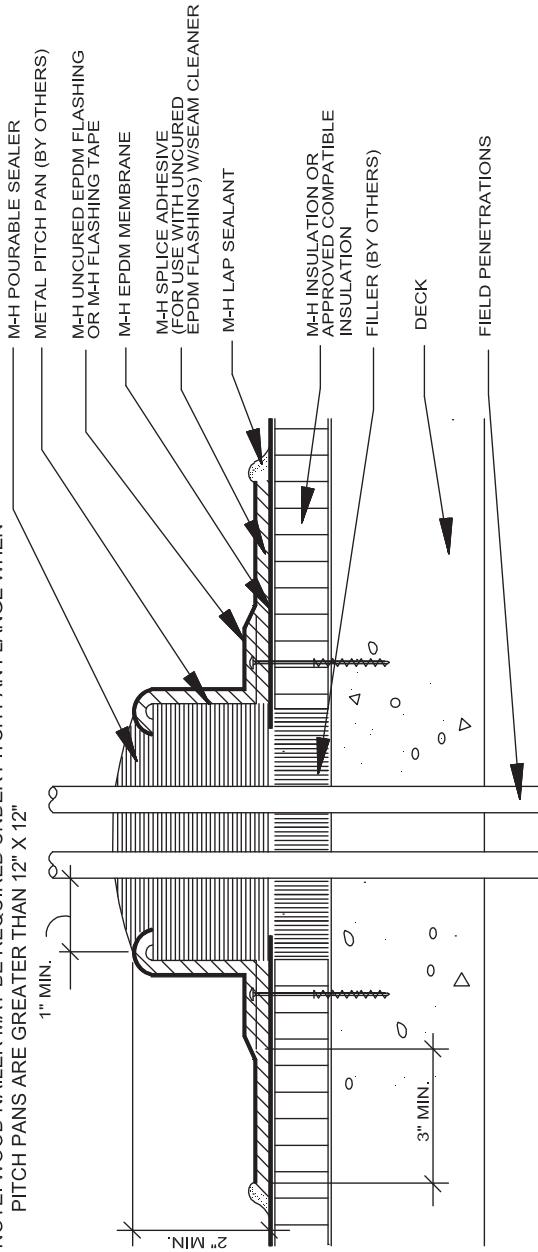
NOTE: IF USING UNCURED FLASHING, PREP EPDM MEMBRANE AND PIPE WITH SEAM CLEANER PRIOR TO
APPLYING SPLICE ADHESIVE. IF USING FLASHING TAPE, PREP WITH TAPE PRIMER.

**MULE-HIDE
PRODUCTS CO., INC.
04/01/2004**

FIELD FABRICATED
HOT PIPE
SYSTEMS:
ALL

DETAIL NO.:
MHE-142

NOTE: WOOD NAILER MAY BE REQUIRED UNDER PITCH PAN FLANGE WHEN PITCH PANS ARE GREATER THAN 12" X 12"



NOTE: IF USING FLASHING TAPE, APPLY TAPE PRIMER TO BOTH EPDM MEMBRANE, TOP SURFACES OF FLASHING TAPE (FOR OVERLAPS) AND METAL PRIOR TO APPLYING FLASHING TAPE.

**MULE-HIDE
PRODUCTS CO., INC.
04/01/2004**

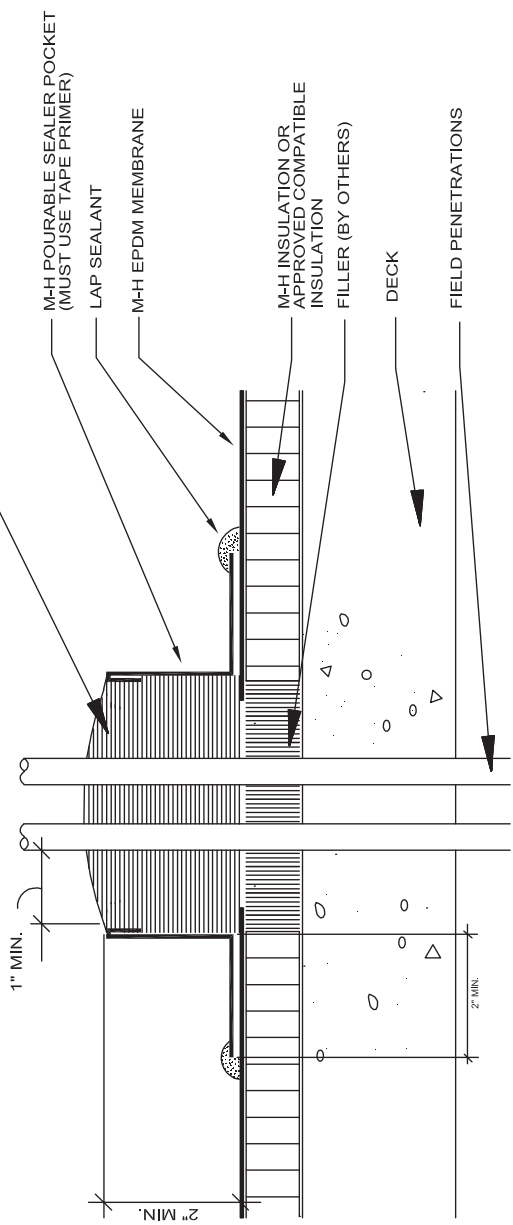
FIELD FABRICATED
PITCH PAN

SYSTEMS:
ALL

DETAIL NO.:

MHE-143

NOTE: ALL POURABLE SEALER POCKETS GREATER THAN 12 INCHES IN DIAMETER WILL REQUIRE MEMBRANE SECUREMENT



DO NOT INSTALL AGAINST A HOT PIPE OF 180 DEGREES FAHRENHEIT OR HIGHER. POURABLE SEALER MUST CONTACT BARE SURFACE OF THE PENETRATION.

**MULE-HIDE
PRODUCTS CO., INC.
04/01/2004**

POURABLE SEALER
POCKET

SYSTEMS:
ALL

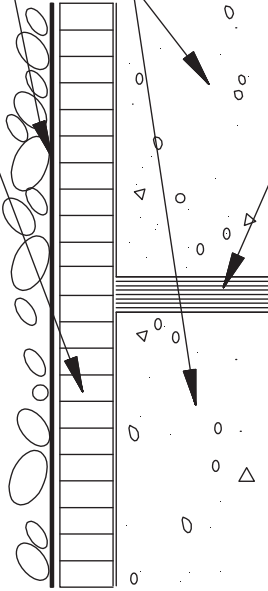
DETAIL NO.:
MHE-144

M-H INSULATION OR
APPROVED COMPATIBLE
INSULATION

M-H EPDM MEMBRANE

DECK

EXPANSION JOINT
FILLER (BY OTHERS)



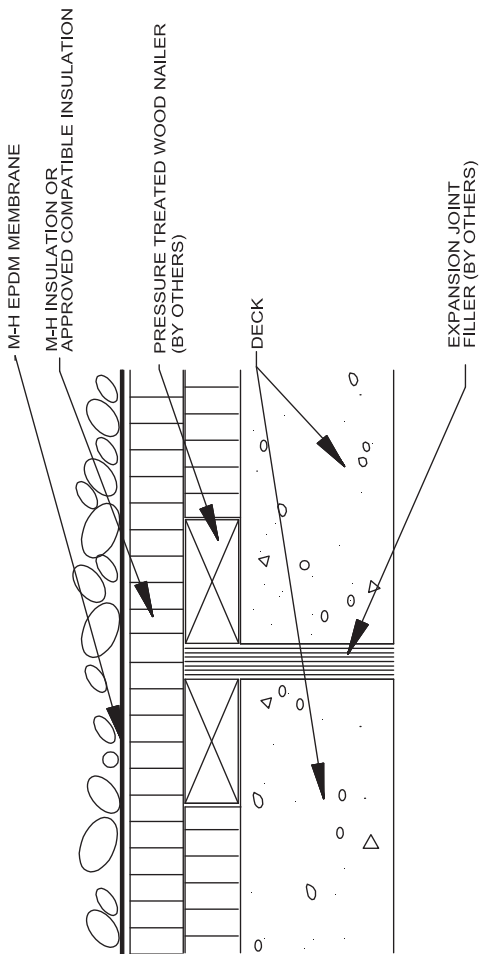
**MULE-HIDE
PRODUCTS CO., INC.
04/01/2004**

EXPANSION JOINT
FIELD JOINT

SYSTEMS:
BALLAST ONLY

DETAIL NO.:

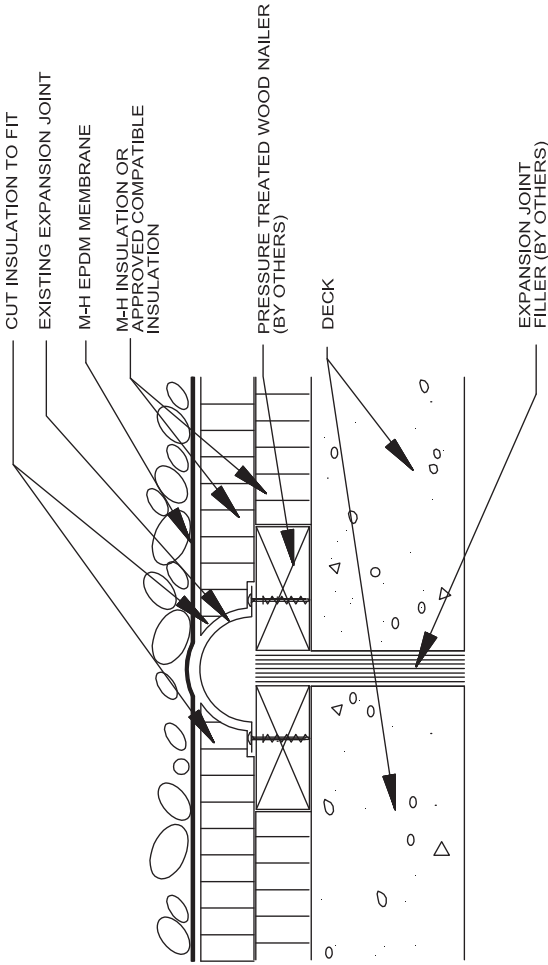
MHE-150



**MULE-HIDE
PRODUCTS CO., INC.
04/01/2004**

EXPANSION JOINT
EXISTING FIELD JOINT "A"
SYSTEMS:
BALLAST ONLY

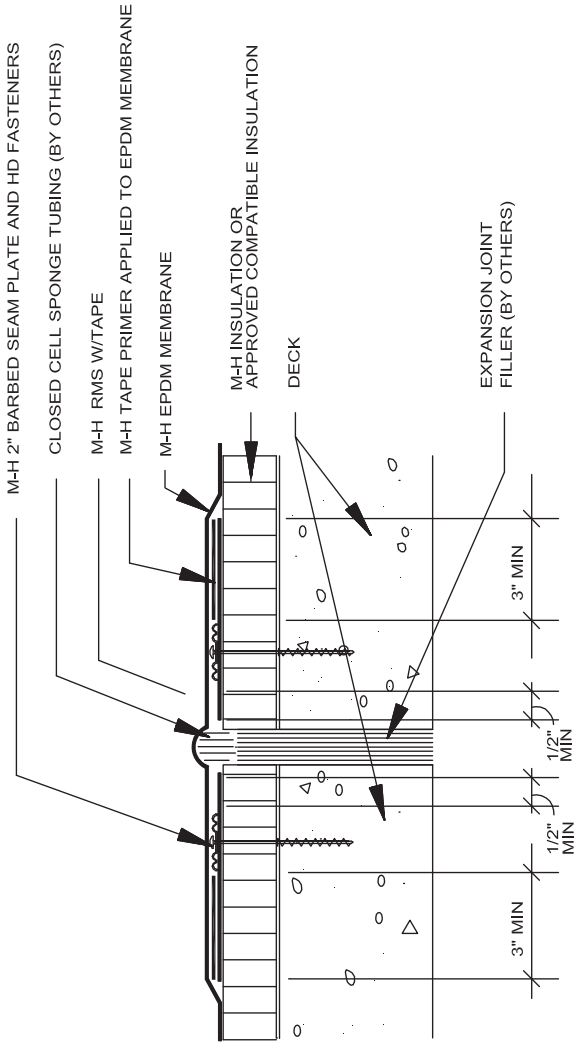
DETAIL NO.:
MHE-151



**MULE-HIDE
PRODUCTS CO., INC.
04/01/2004**

EXPANSION JOINT
EXISTING FIELD JOINT "B"
SYSTEMS:
BALLAST ONLY

DETAIL NO.:
MHE-152

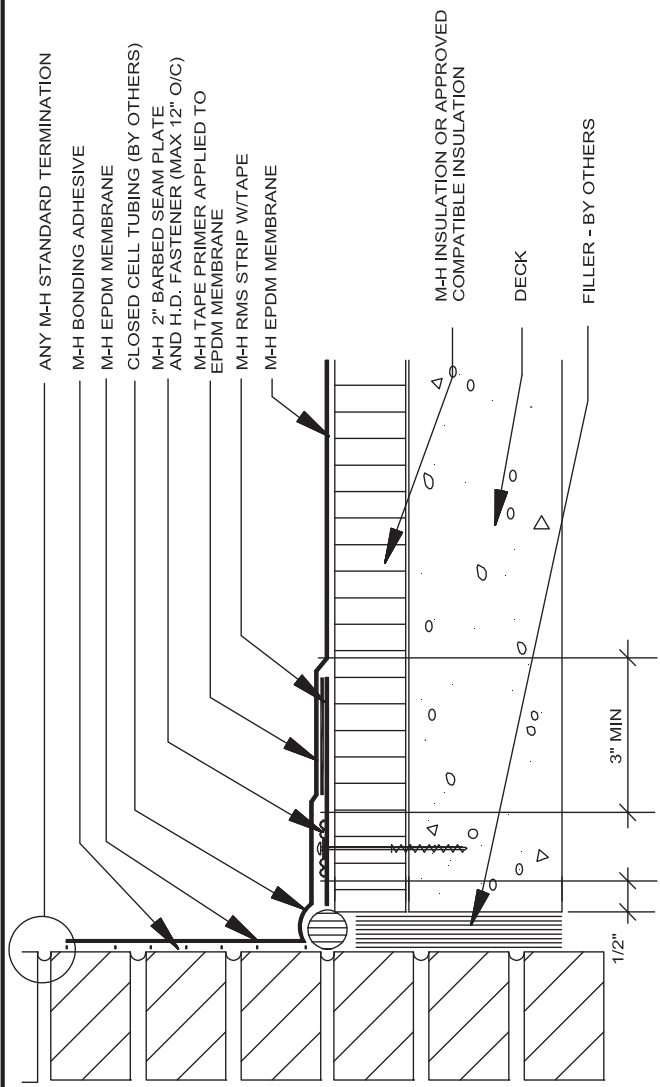


**MULE-HIDE
PRODUCTS CO., INC.
04/01/2004**

EXPANSION JOINT
FIELD JOINT

SYSTEMS:
ADHERED &
MECHANICAL ATTACHED

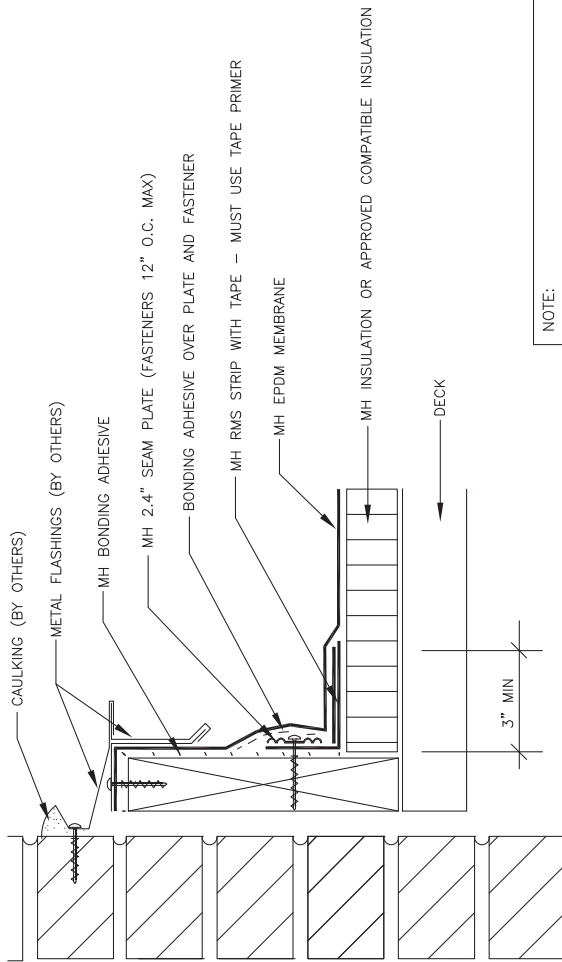
DETAIL NO.:
MHE-153B



MULE-HIDE
PRODUCTS CO., INC.
04/01/2004

EXPANSION JOINT
 DECK TO WALL JOINT - "A"
 SYSTEMS:
 ALL

DETAIL NO.:
MHE-154B



NOTE:

THIS DETAIL IS ACCEPTABLE FOR USE IN
A 20-YEAR WARRANTED SYSTEM

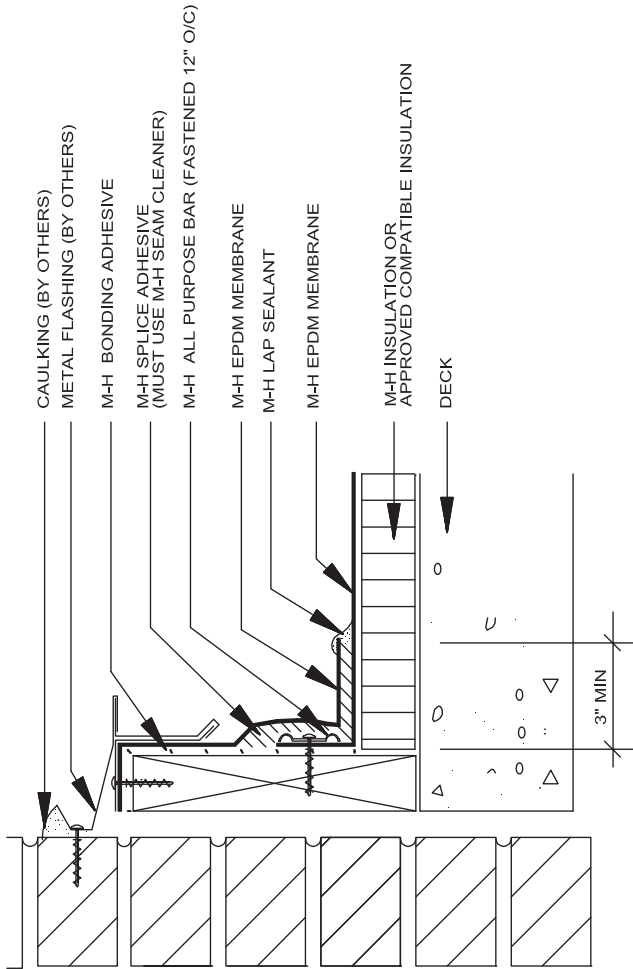
**MULE-HIDE
PRODUCTS CO., INC.**
2010

**EXPANSION JOINT
DECK TO WALL JOINT
SYSTEMS:**

ALL

DETAIL NO.:

MHE-155A



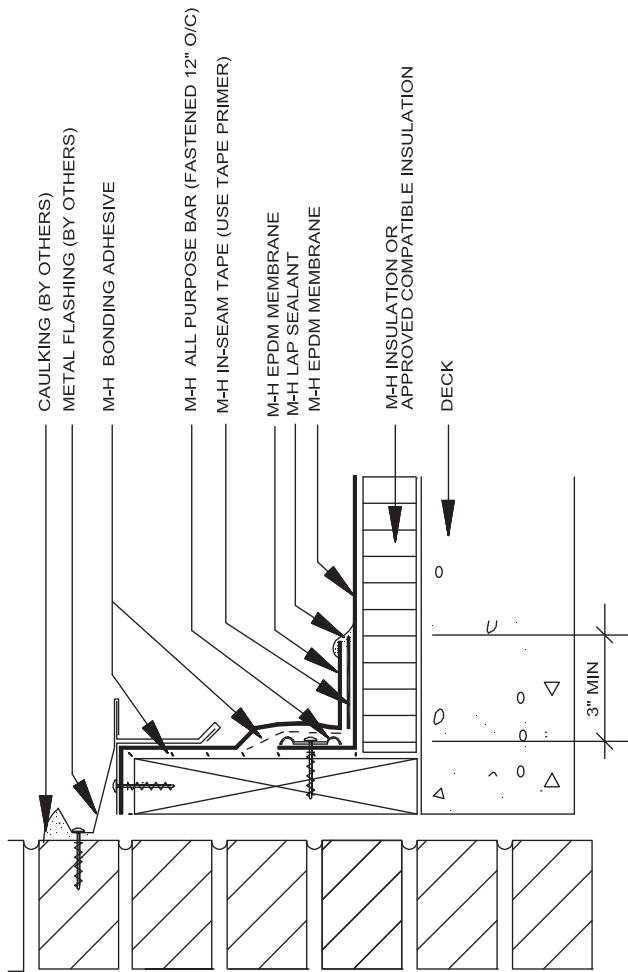
MULE-HIDE
PRODUCTS CO., INC.
04/01/2004

EXPANSION JOINT
 DECK TO WALL JOINT - "C"

SYSTEMS:
 ALL

DETAIL NO.:

MHE-156A

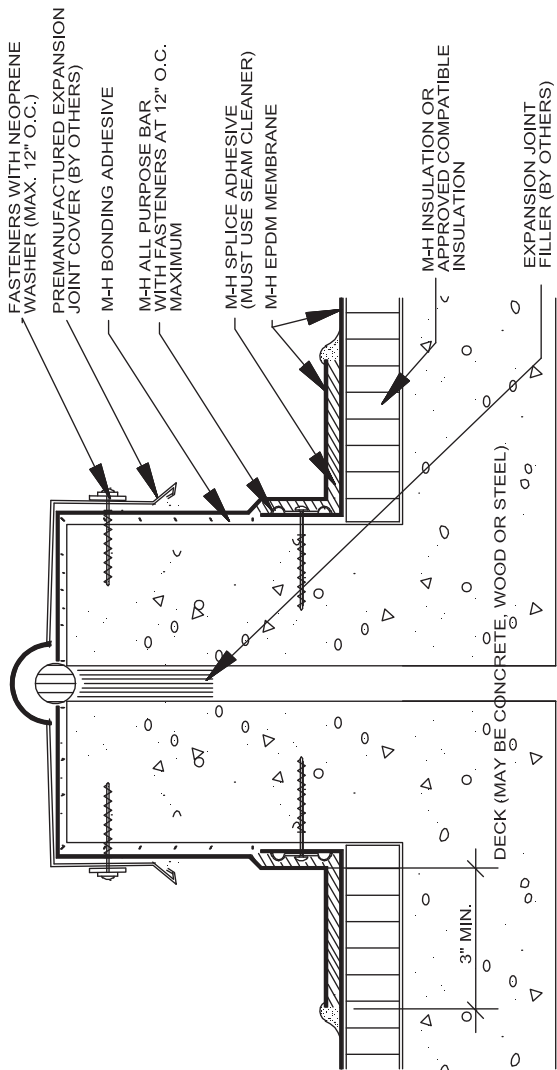


DETAIL NO.:
MHE-156B

EXPANSION JOINT
 DECK TO WALL JOINT - "C"

SYSTEMS:
 ALL

**MULE-HIDE
 PRODUCTS CO., INC.
 04/01/2004**



NOTE: DECK AND CURB MAY BE CONCRETE, STEEL OR WOOD.

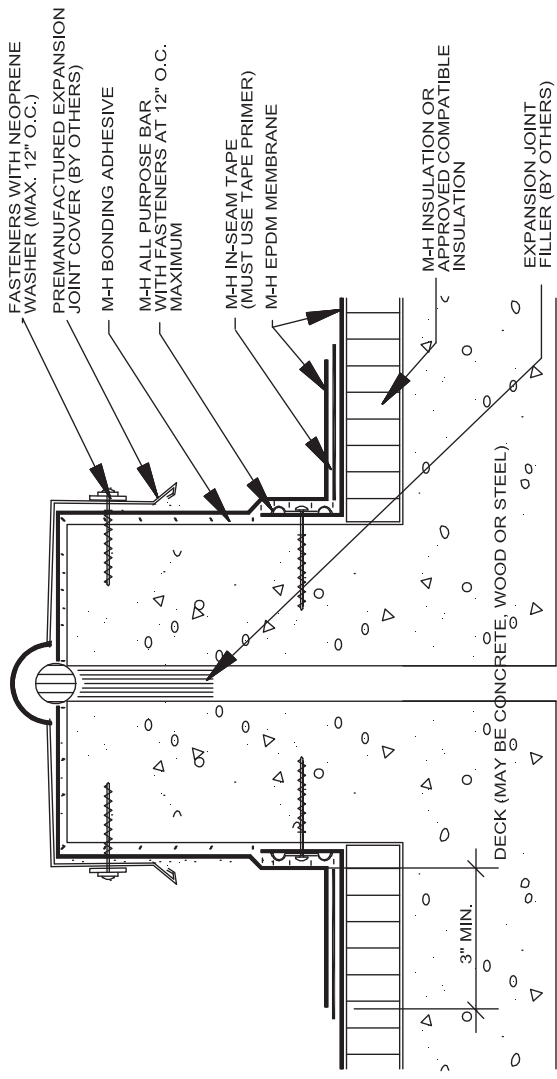
**MULE-HIDE
PRODUCTS CO., INC.
04/01/2004**

EXPANSION JOINT
CURB/FIREWALL

SYSTEMS:
ALL

DETAIL NO.:

MHE-157A



NOTE: DECK AND CURB MAY BE CONCRETE, STEEL OR WOOD.

**MULE-HIDE
PRODUCTS CO., INC.
04/01/2004**

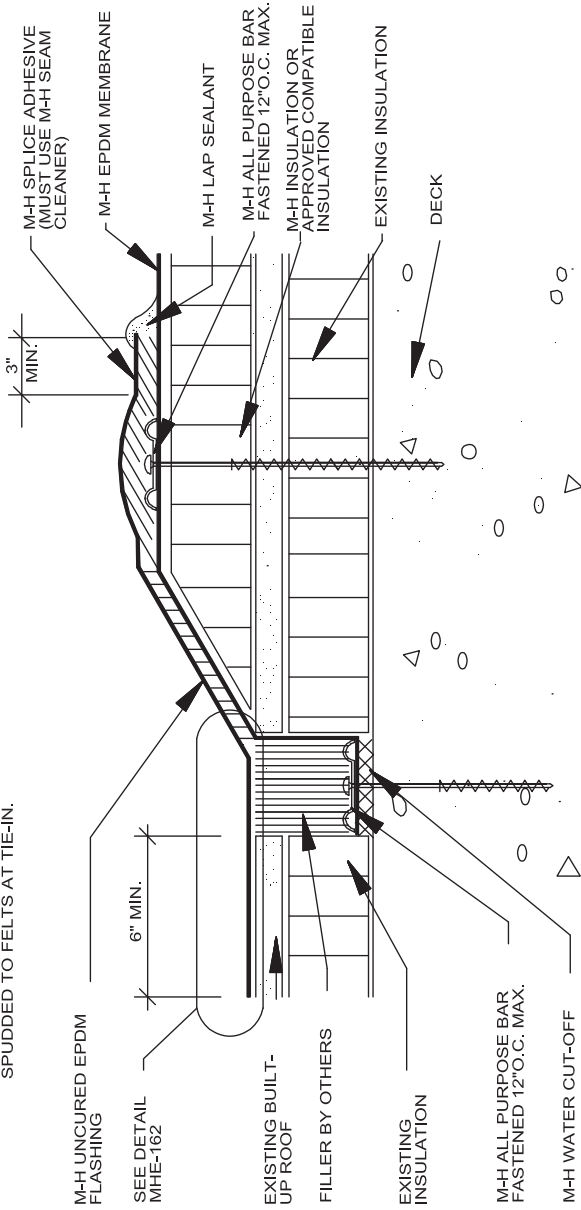
EXPANSION JOINT
CURB/FIREWALL

SYSTEMS:
ALL

DETAIL NO.:

MHE-157B

NOTE: ON GRAVEL SURFACED BUR SYSTEMS - GRAVEL MUST BE
 SPURRED TO FELTS AT TIE-IN.



M-H UNCURVED EPDM FLASHING

SEE DETAIL MHE-162

EXISTING BUILT-UP ROOF

FILLER BY OTHERS

EXISTING INSULATION

M-H ALL PURPOSE BAR FASTENED 12" O.C. MAX.

M-H WATER CUT-OFF

3" MIN.

6" MIN.

M-H SPLICE ADHESIVE (MUST USE M-H SEAM CLEANER)

M-H EPDM MEMBRANE

M-H LAP SEALANT

M-H ALL PURPOSE BAR FASTENED 12" O.C. MAX.

M-H INSULATION OR APPROVED COMPATIBLE INSULATION

EXISTING INSULATION

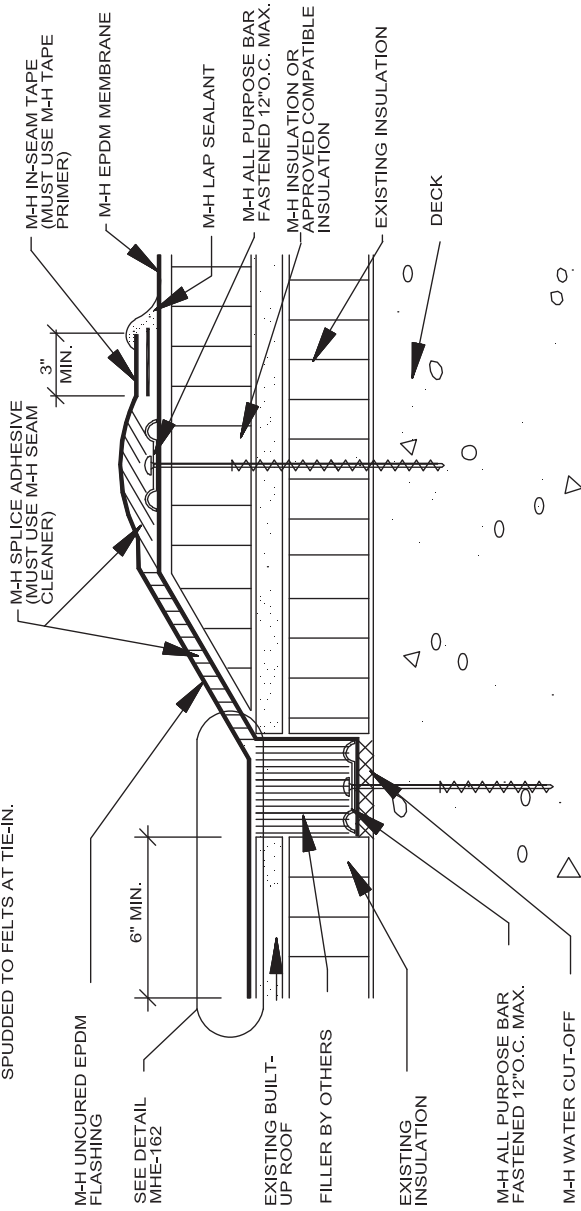
DECK

MULE-HIDE PRODUCTS CO., INC.
04/01/2004

EPDM TIE-IN TO BUILT-UP ROOF SYSTEMS:
 ALL

DETAIL NO.:
MHE-160A

NOTE: ON GRAVEL SURFACED BUR SYSTEMS - GRAVEL MUST BE
 SPUDDLED TO FELTS AT TIE-IN.

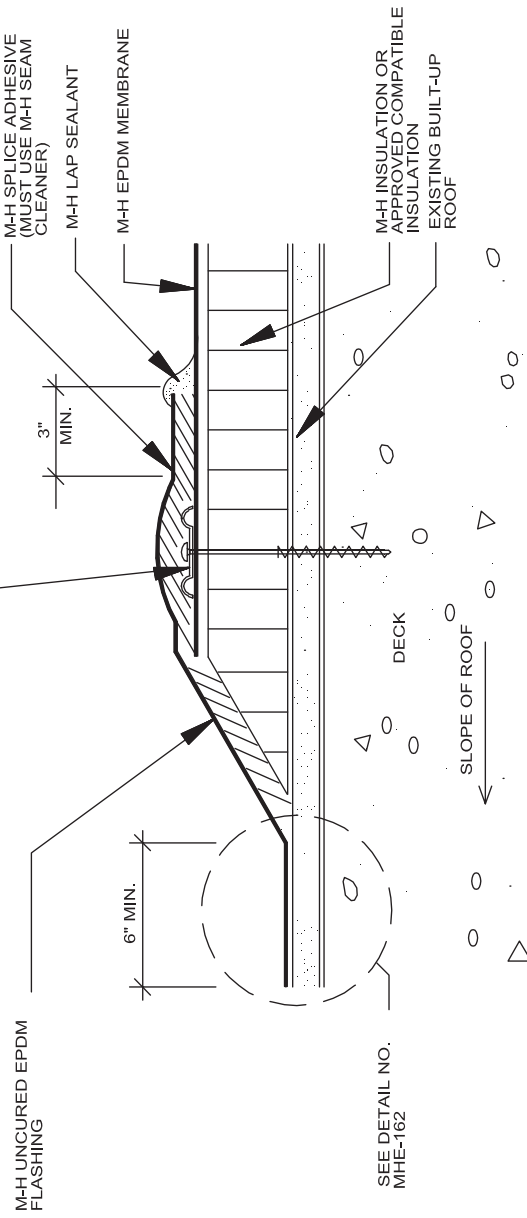


**MULE-HIDE
 PRODUCTS CO., INC.
 04/01/2004**

EPDM TIE-IN TO
 BUILT-UP ROOF
 SYSTEMS:
 ALL

DETAIL NO.:
MHE-160B

NOTE:
ON GRAVEL SURFACED BUR SYSTEMS - GRAVEL
MUST BE SPURRED TO FELTS AT TIE-IN.



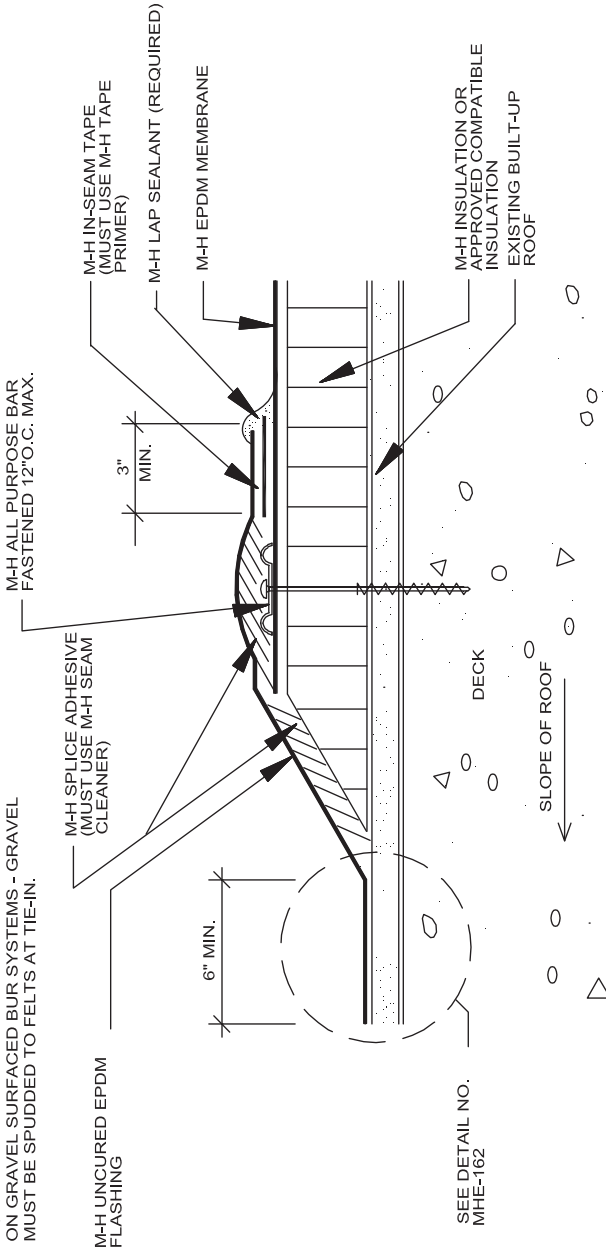
SEE DETAIL NO.
MHE-162

**MULE-HIDE
PRODUCTS CO., INC.
04/01/2004**

EPDM TIE-IN TO
BUILT-UP ROOF
SYSTEMS:
ALL

DETAIL NO.:
MHE-161A

NOTE:
ON GRAVEL SURFACED BUR SYSTEMS - GRAVEL
MUST BE SPUDDED TO FELTS AT TIE-IN.



SEE DETAIL NO.
MIHE-162

**MULE-HIDE
PRODUCTS CO., INC.
04/01/2004**

EPDM TIE-IN TO
BUILT-UP ROOF

SYSTEMS:
ALL

DETAIL NO.:

MHE-161B

NOTE:

1. ON GRAVEL SURFACED BUILT-UP SYSTEMS - GRAVEL MUST BE SPUNNED TO FELTS AT TIE-IN.
2. HOT ASPHALT (TYPE III OR IV) OR COAL TAR PITCH TO BE DETERMINED BY EXISTING ROOF SYSTEM

FLOOD COAT OF HOT ASPHALT
(TYPE III OR IV)
OR COAL - TAR PITCH

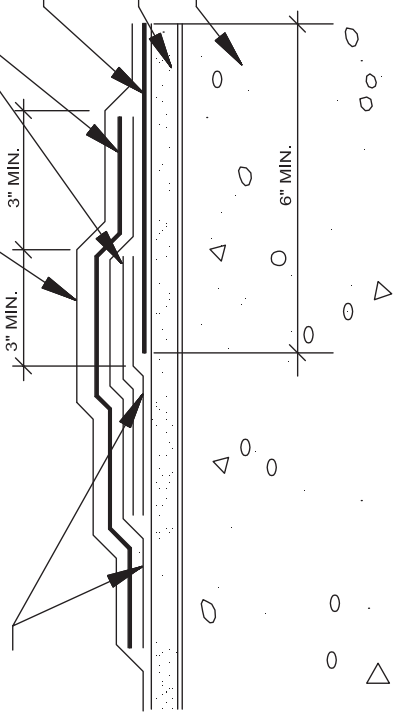
FELTS

M-H UNCURED EPDM FLASHING
SET IN HOT ASPHALT
(TYPE III OR IV)

EXISTING BUILT-UP ROOF

DECK

HOT ASPHALT
(TYPE III OR IV)
OR COAL - TAR PITCH
AS REQUIRED



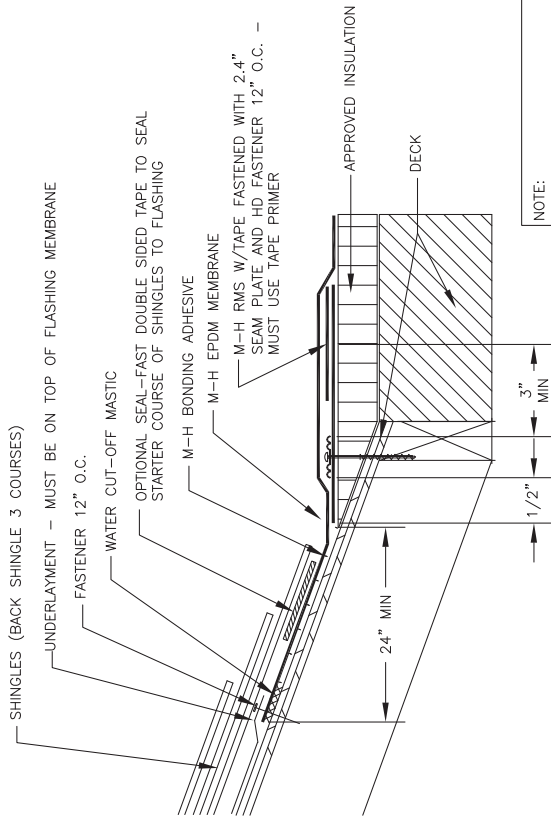
**MULE-HIDE
PRODUCTS CO., INC.
04/01/2004**

EPDM TIE-IN
HOT STRIPPING

SYSTEMS:
ALL

DETAIL NO.:

MHE-162

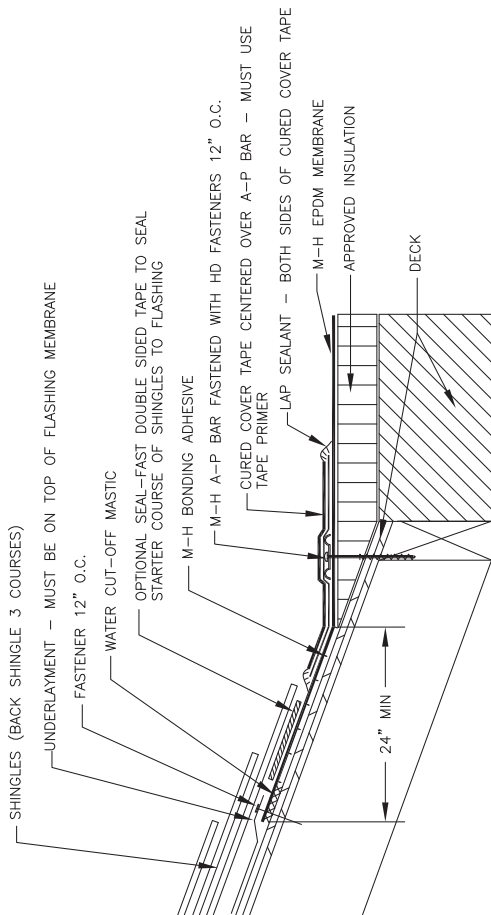


NOTE:
 EPDM MEMBRANE MUST EXTEND A MINIMUM OF 24" UP THE SLOPE OF THE ROOF OR UP UNDER A MINIMUM OF 3 COURSES OF SHINGLES

DETAIL NO.:
MHE-163A
 REVISION DATE: 10/2016

EPDM BASE TIE-IN TO SHINGLE ROOF WITH RMS W/TAPE SYSTEMS:
ALL

MULE-HIDE PRODUCTS CO., INC.



NOTE:

EPDM MEMBRANE MUST EXTEND A MINIMUM OF 24" UP THE SLOPE OF THE ROOF OR UP UNDER A MINIMUM OF 3 COURSES OF SHINGLES

EPDM BASE TIE-IN TO SHINGLE
ROOF WITH A-P BAR
SYSTEMS:

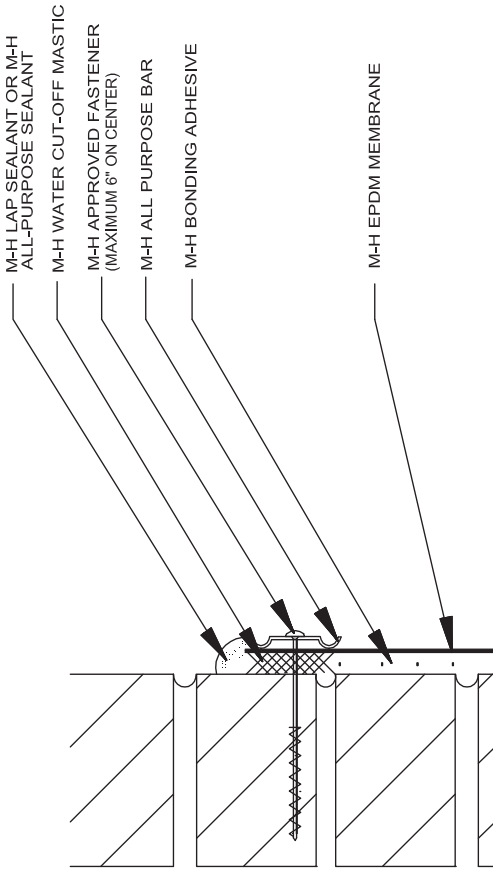
ALL

DETAIL NO.:

MHE-164

REVISION DATE: 10/2016

**MULE-HIDE
PRODUCTS CO., INC.**



DETAIL NO.:

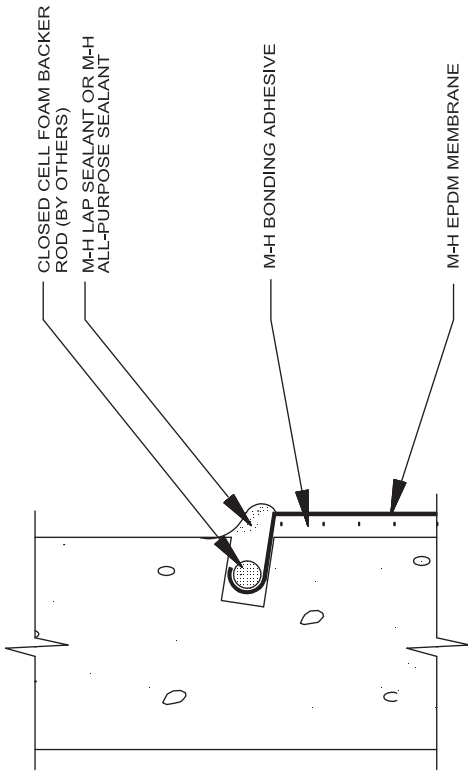
MHE-170

VERTICAL TERMINATION
WITH A-P BAR

SYSTEMS:
ALL

**MULE-HIDE
PRODUCTS CO., INC.
04/01/2004**

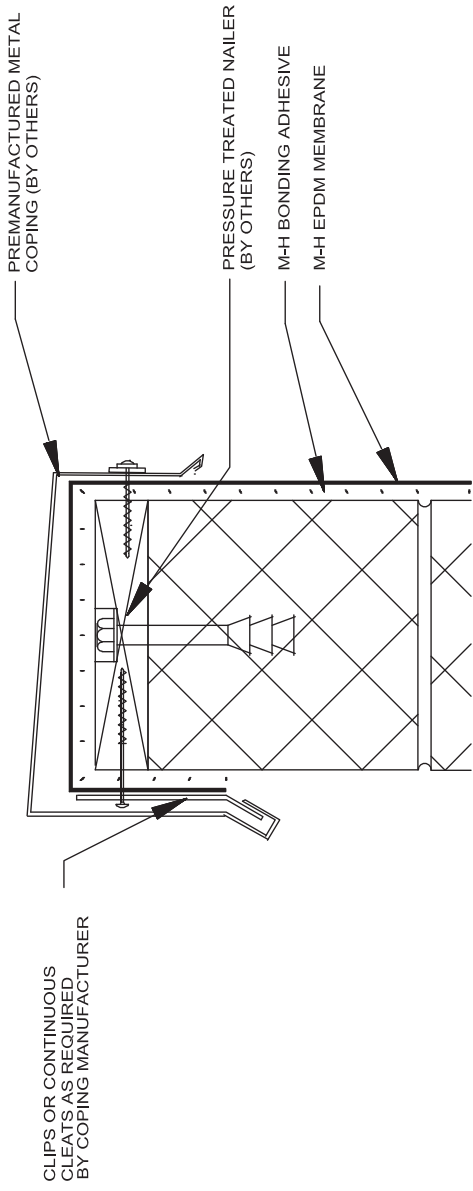
NOTE: THE DIAMETER OF BACKER ROD MUST BE LARGER THAN REGLET OPENING.



**MULE-HIDE
PRODUCTS CO., INC.
04/01/2004**

VERTICAL TERMINATION
REGLET
SYSTEMS:
ALL

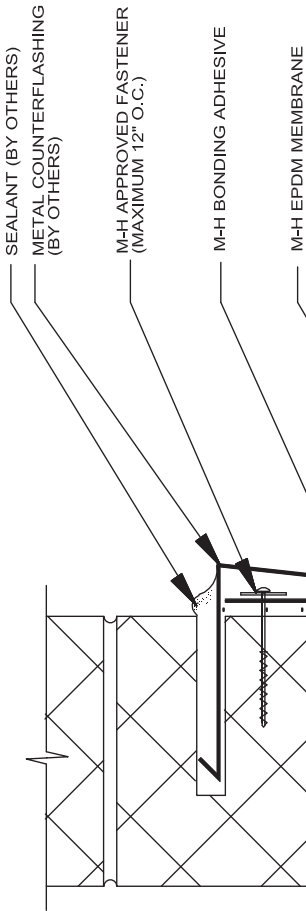
DETAIL NO.:
MHE-171



**MULE-HIDE
PRODUCTS CO., INC.
04/01/2004**

**VERTICAL TERMINATION
METAL COPING**
SYSTEMS:
ALL

DETAIL NO.:
MHE-172



NOTE: 1. MEMBRANE MUST BE FASTENED UNDER COUNTERFLASHING. DO NOT FASTEN THROUGH COUNTERFLASHING.
 2. ATTACHMENT OF COUNTERFLASHING AS DETERMINED BY SPECIFIER.

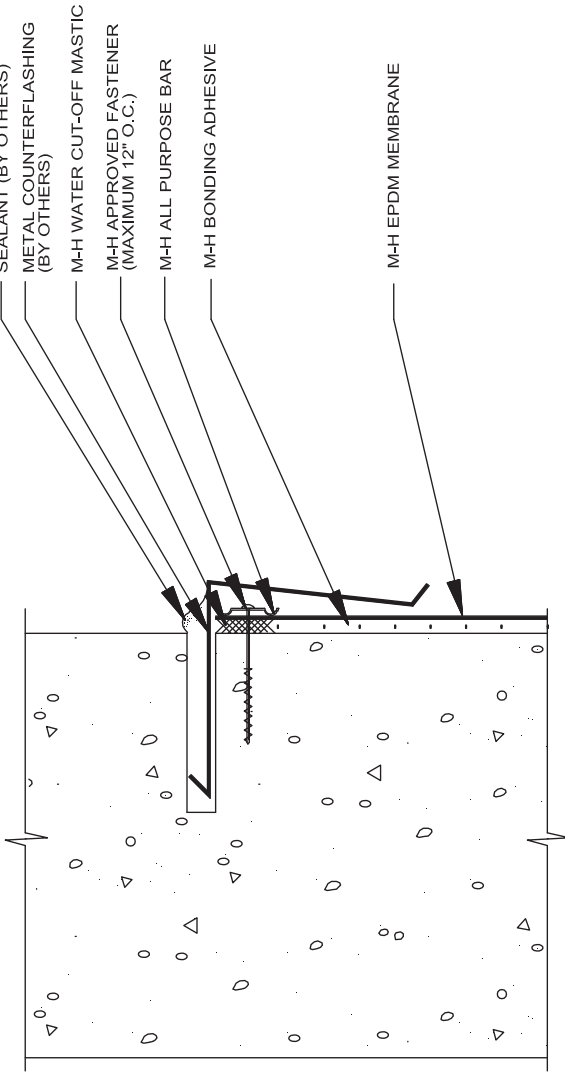
**MULE-HIDE
 PRODUCTS CO., INC.
 04/01/2004**

**VERTICAL TERMINATION
 COUNTERFLASHING**

**SYSTEMS:
 ALL**

**DETAIL NO.:
 MHE-173**

NOTE: ATTACHMENT OF COUNTERFLASHING AS DETERMINED BY SPECIFIER.

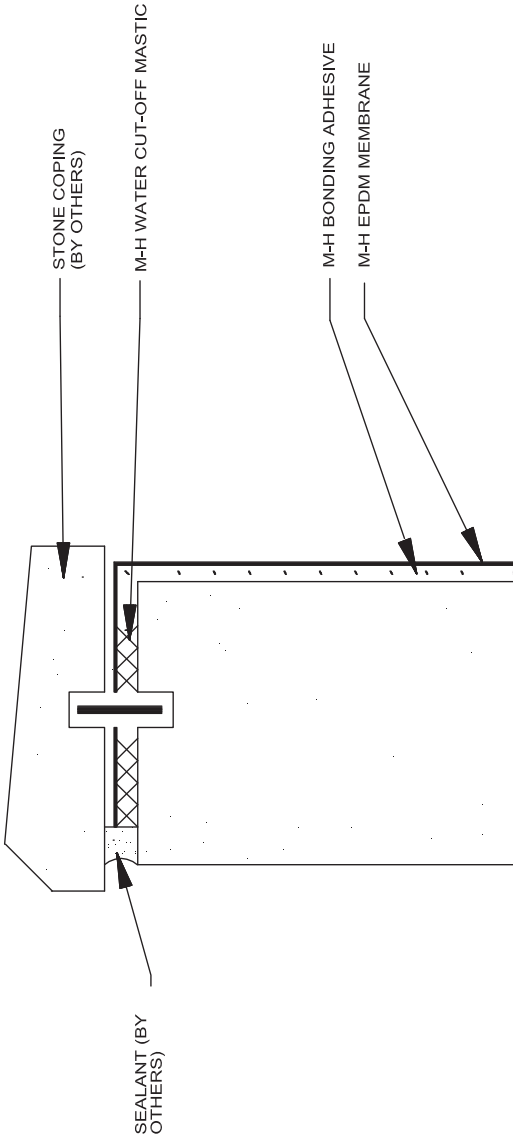


**MULE-HIDE
PRODUCTS CO., INC.
04/01/2004**

VERTICAL TERMINATION
COUNTERFLASHING W/
A-P BAR

SYSTEMS:
ALL

DETAIL NO.:
MHE-174

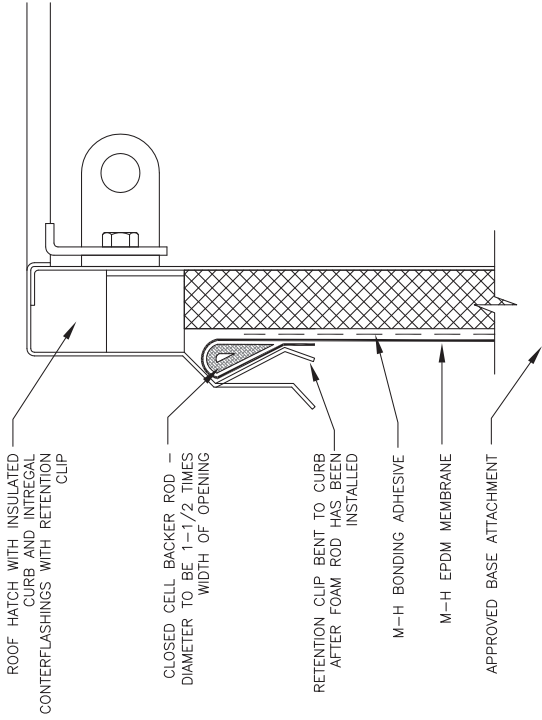


**MULE-HIDE
PRODUCTS CO., INC.
04/01/2004**

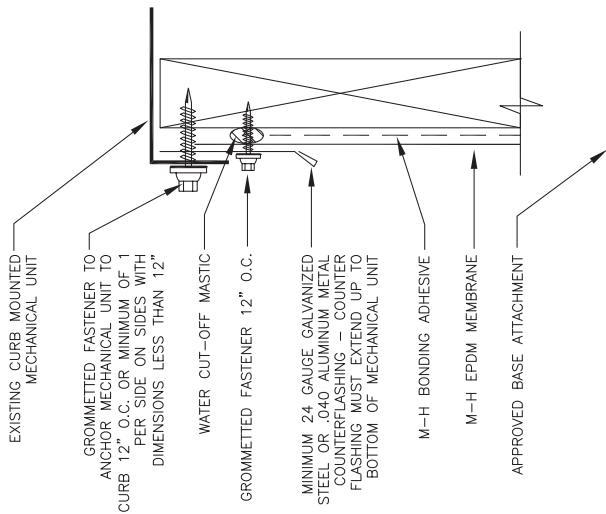
VERTICAL TERMINATION
STONE COPING

SYSTEMS:
ALL

DETAIL NO.:
MHE-175



MULE-HIDE PRODUCTS CO., INC.	VERTICAL TERMINATION AT ROOF HATCH WITH FOAM ROD SYSTEMS: ALL EPDM SYSTEMS	DETAIL NO.: MHE-UN-176 REVISION DATE: 06/2014



COUNTERFLASHING AT MECHANICAL CURB

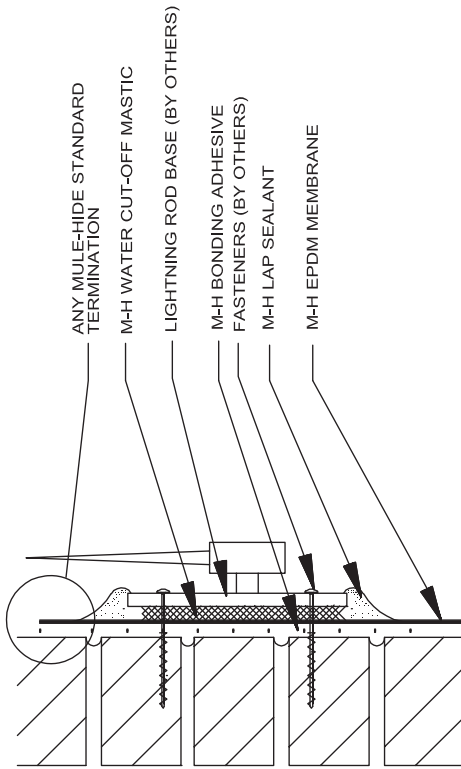
SYSTEMS:
ALL EPDM SYSTEMS

DETAIL NO.:

MHE-UN-177

REVISION DATE: 06/2014

**MULE-HIDE
PRODUCTS CO., INC.**



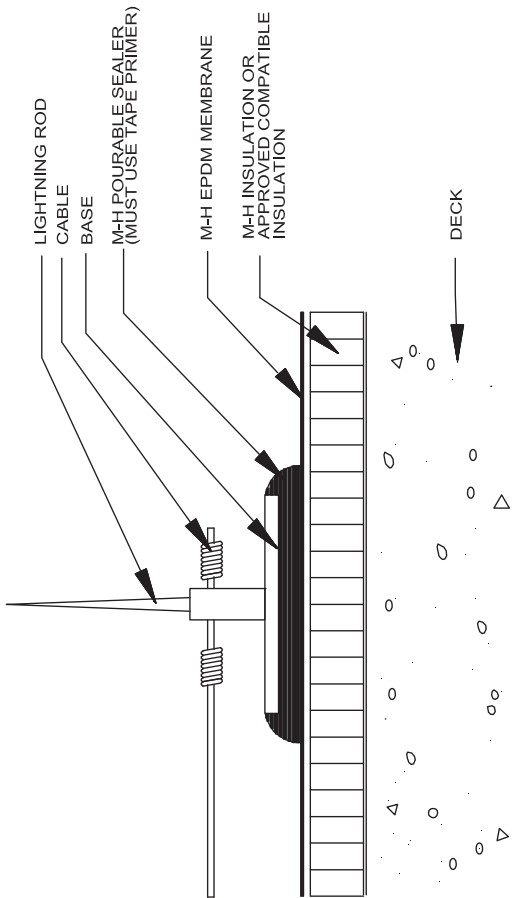
MULE-HIDE
PRODUCTS CO., INC.
04/01/2004

LIGHTNING ROD
 VERTICAL ATTACHMENT

SYSTEMS:
 ALL

DETAIL NO.:

MHE-180



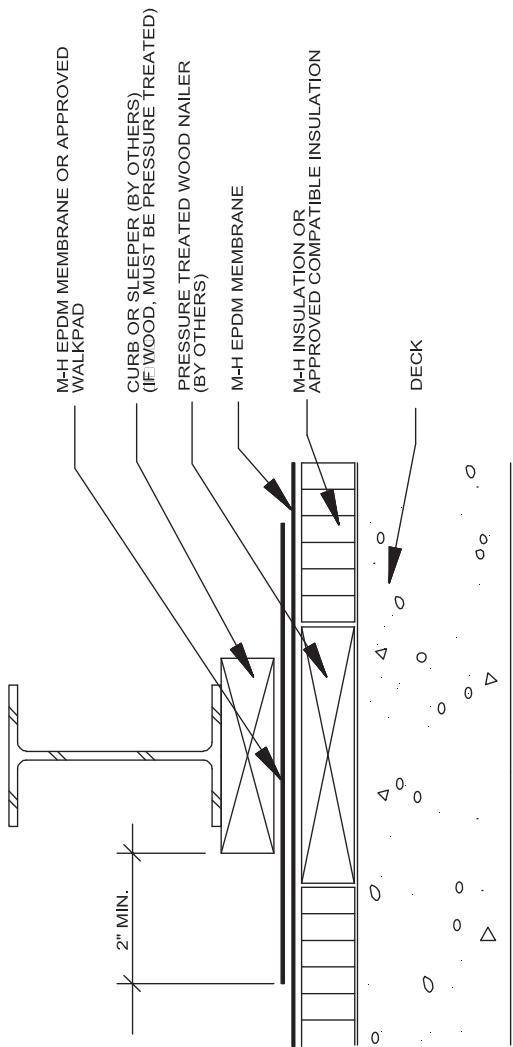
MULE-HIDE
PRODUCTS CO., INC.
04/01/2004

LIGHTNING ROD
 HORIZONTAL ATTACHMENT

SYSTEMS:
 ALL

DETAIL NO.:

MHE-181



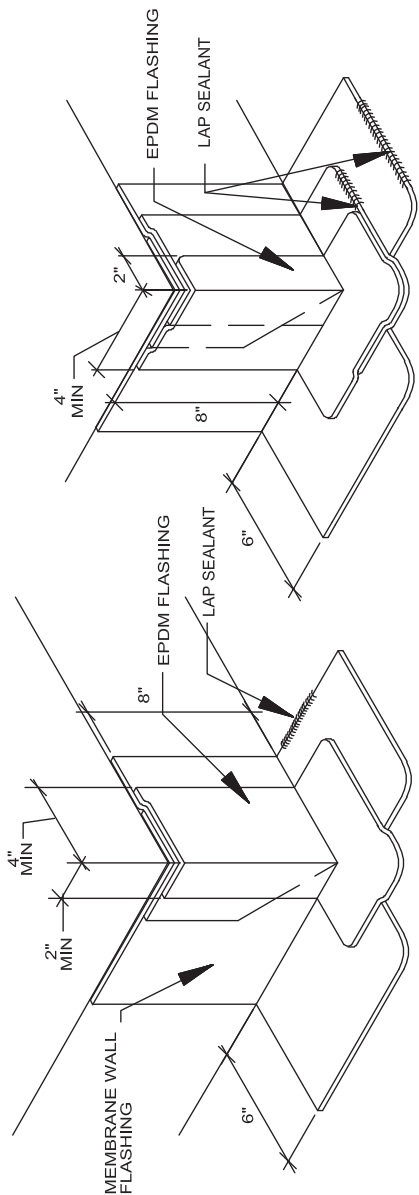
**MULE-HIDE
PRODUCTS CO., INC.
04/01/2004**

SLEEPER

SYSTEMS:
ALL

DETAIL NO.:

MHE-182



STEP NO. 1

NOTE: WHEN USING UNCURED EPDM FLASHING, SPLICE ADHESIVE AND SEAM CLEANER ARE REQUIRED. WHEN USING FLASHING TAPE, TAPE PRIMER IS REQUIRED TO PREP ALL SURFACES TO WHICH THE FLASHING TAPE WILL BE APPLIED.

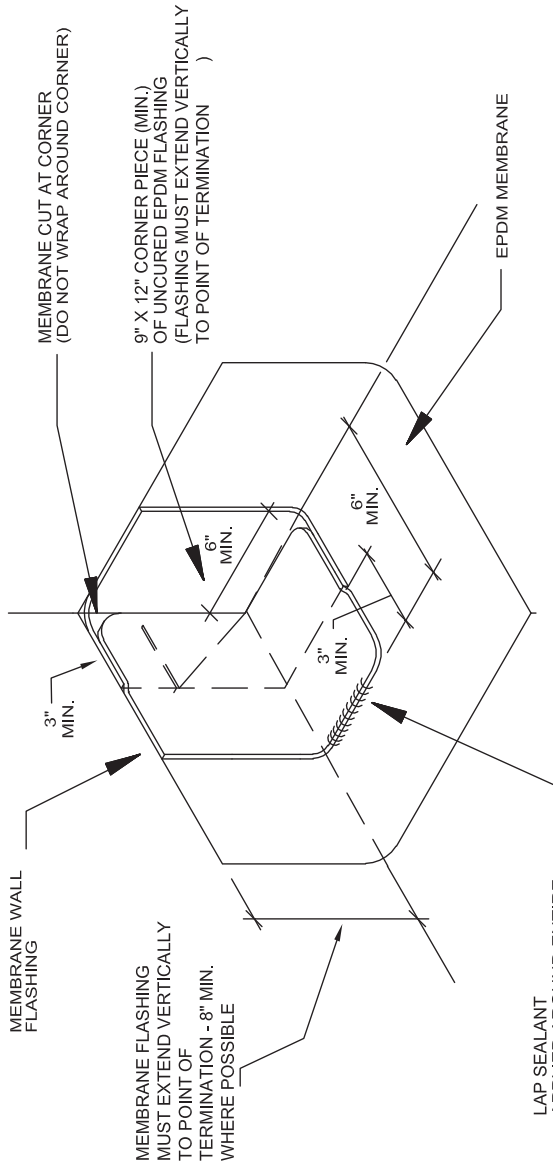
STEP NO. 2

**MULE-HIDE
PRODUCTS CO., INC.
04/01/2004**

**EPDM
OUTSIDE CORNER
SYSTEMS:
ALL**

DETAIL NO.:

MHE-183



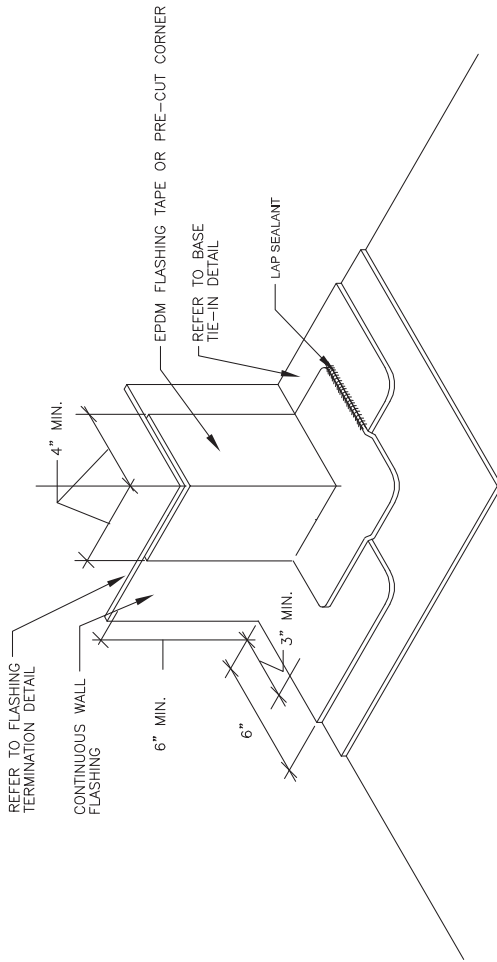
LAP SEALANT APPLIED AROUND ENTIRE PERIMETER OF FLASHING

NOTE: WHEN USING UNCURED EPDM FLASHING, SPLICE ADHESIVE AND SEAM CLEANER ARE REQUIRED. WHEN USING FLASHING TAPE; TAPE PRIMER IS REQUIRED TO PREP ALL SURFACES TO WHICH THE FLASHING TAPE WILL BE APPLIED. SPLICE ADHESIVE IS REQUIRED TO ADHERE THE "PIG EAR".

MULE-HIDE PRODUCTS CO., INC.
04/01/2004

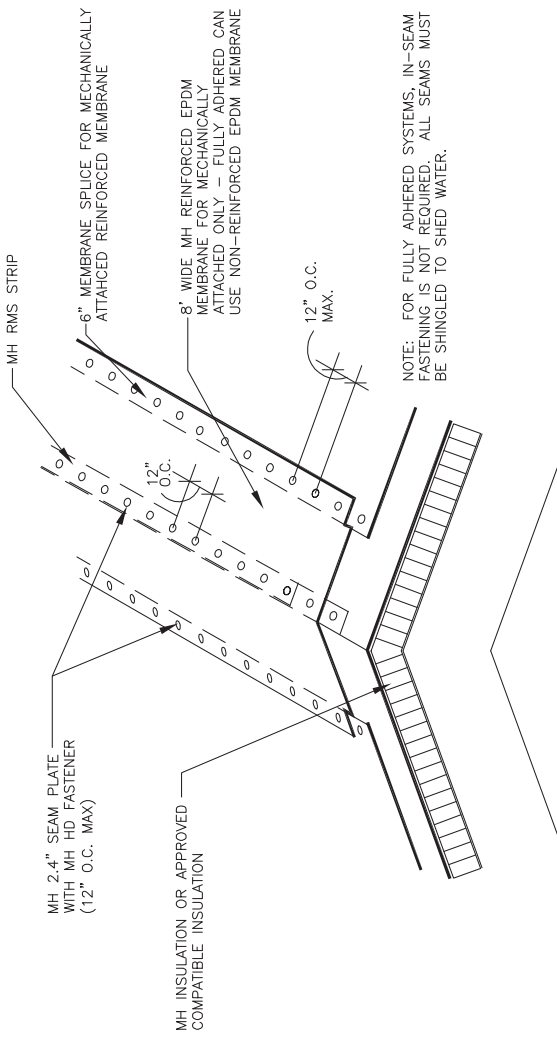
2 PIECE INSIDE CORNER
 EPDM WALL FLASHING
 SYSTEMS:
 ALL

DETAIL NO.:
MHE-184



WHEN USING FLASHING TAPES, TAPE PRIMER MUST BE USED

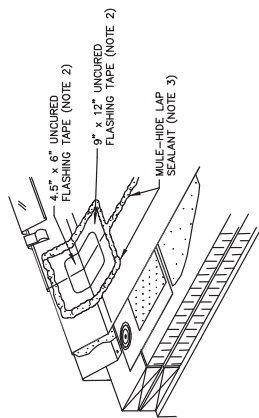
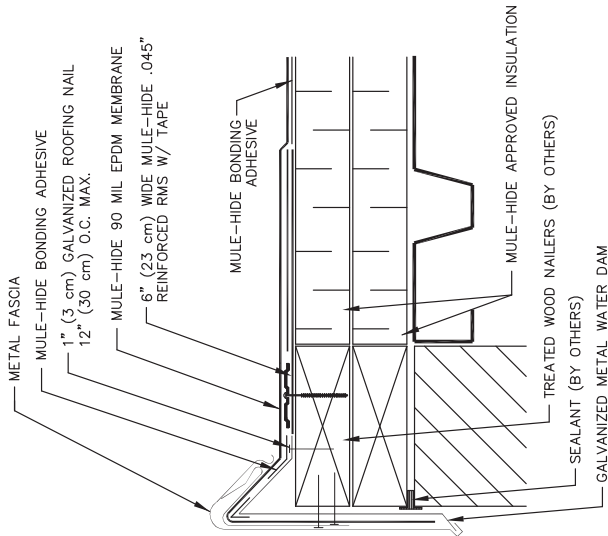
<p>MULE-HIDE PRODUCTS CO., INC. 2010</p>	<p>EPDM OUTSIDE CORNER ONE PIECE WRAP SYSTEMS: ALL</p>	<p>DETAIL NO.: MHE-186</p>
---	--	--



NOTE: FOR FULLY ADHERED SYSTEMS, IN-SEAM FASTENING IS NOT REQUIRED. ALL SEAMS MUST BE SHINGLED TO SHED WATER.

NOTE: 6" WIDE SEAM WHEN USING REINFORCED EPDM MEMBRANE, MAY BE COMPLETED WITH EITHER SPLICE ADHESIVE AND TAPE PRIMER OR 6" WIDE IN-SEAM TAPE AND TAPE PRIMER.

MULE-HIDE PRODUCTS CO., INC. 2010	RIDGE ATTACHMENT WITH RMS	DETAIL NO.: MHE-190
	SYSTEMS: MECHANICALLY ATTACHED AND FULLY ADHERED	



NOTES:

1. TREATED WOOD NAILER MUST EXTEND PAST TOTAL WIDTH OF GRAVEL STOP DECK FLANGE.
2. A 4.5" x 6" (12 x 15 cm) AND A 9" x 12" (23 x 30 cm) PIECE OF UNCURED FLASHING TAPE MUST BE CENTERED OVER FIELD SPLICE AT ANGLE CHANGE.
3. CAULK ALL EDGES WITH LAP SEALANT AS SHOWN ABOVE.
4. REFER TO METAL-ERA PERMA-TITE FASCIA SYSTEM 200 INSTALLATION INSTRUCTION MANUAL FOR STEP-BY-STEP INSTALLATION PROCEDURES.

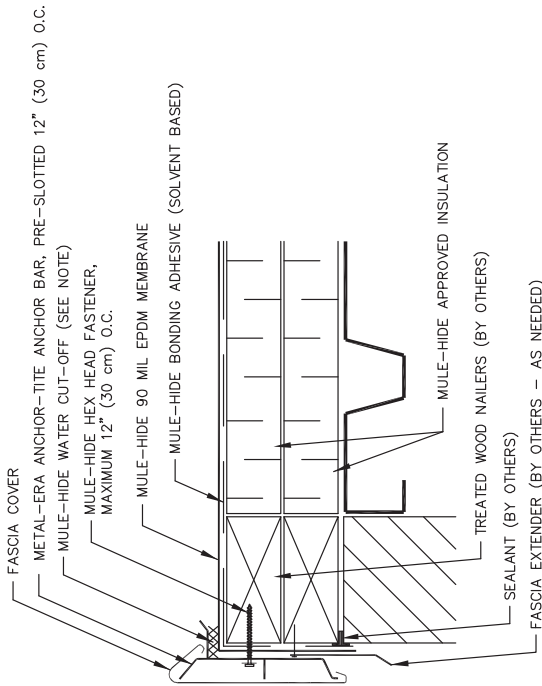
**MULE-HIDE
PRODUCTS CO., INC.
2005**

Metal-Era Perma-Tite Edge Detail

**SYSTEMS:
Fully Adhered 90mil System**

DETAIL NO.:

MHE-500



NOTE:
 APPLY AN ADDITIONAL BEAD OF WATER CUT-OFF ALONG THE EDGE OF THE MEMBRANE SPLICE THAT IS PERPENDICULAR TO THE ANCHOR BAR.

Metal-Era Anchor-Tite

DETAIL NO.:
MHE-501

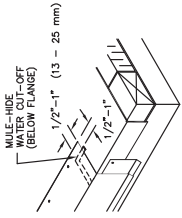
Metal-Era Anchor-Tite Edge Detail

SYSTEMS:
 Fully Adhered 90mil System

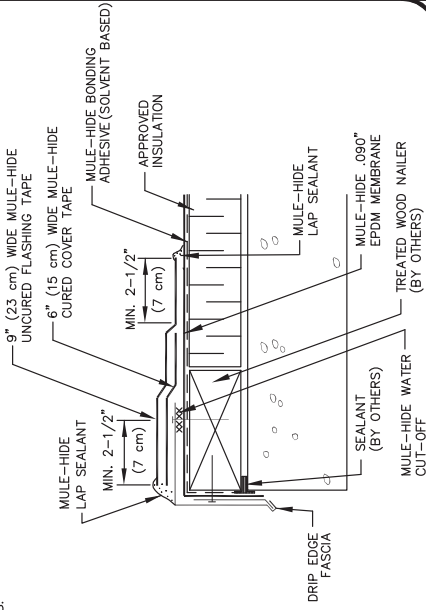
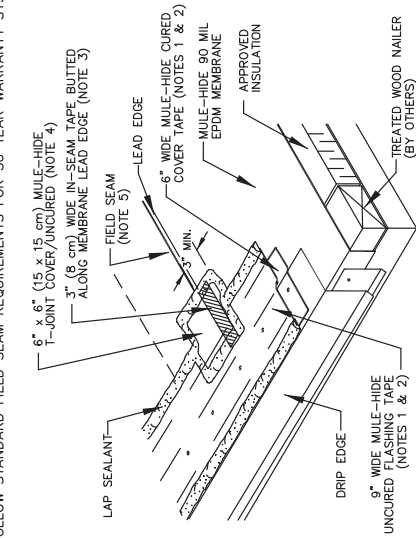
MULE-HIDE
PRODUCTS CO., INC.
2005

NOTES:

1. DECK FLANGE MUST BE TOTALLY COVERED BY MULE-HIDE CURED COVER TAPE (USE TAPE PRIMER) FLASHING WITH MINIMUM 2-1/2" (7 cm) COVERAGE PAST NAIL HEADS.
2. PRIOR TO INSTALLING MULE-HIDE TAPE (BOTH LAYERS), APPLY MULE-HIDE TAPE PRIMER AND ALLOW TO PROPERLY DRY.
3. INSTALL 3" x 6.5" (8 x 16 cm) IN-SEAM TAPE (IN CONJUNCTION WITH TAPE PRIMER) ALONG LEADING EDGE OF MEMBRANE SEAM OVERLAPPING SEAM TAPE.
4. INSTALL 6" (15 cm) WIDE MULE-HIDE UNCURED FLASHING TAPE (IN CONJUNCTION WITH TAPE PRIMER) AT FIELD SEAM INTERSECTIONS AND SEAL WITH LAP SEALANT AS SHOWN.
5. FOLLOW STANDARD FIELD SEAM REQUIREMENTS FOR 30 YEAR WARRANTY SYSTEMS.



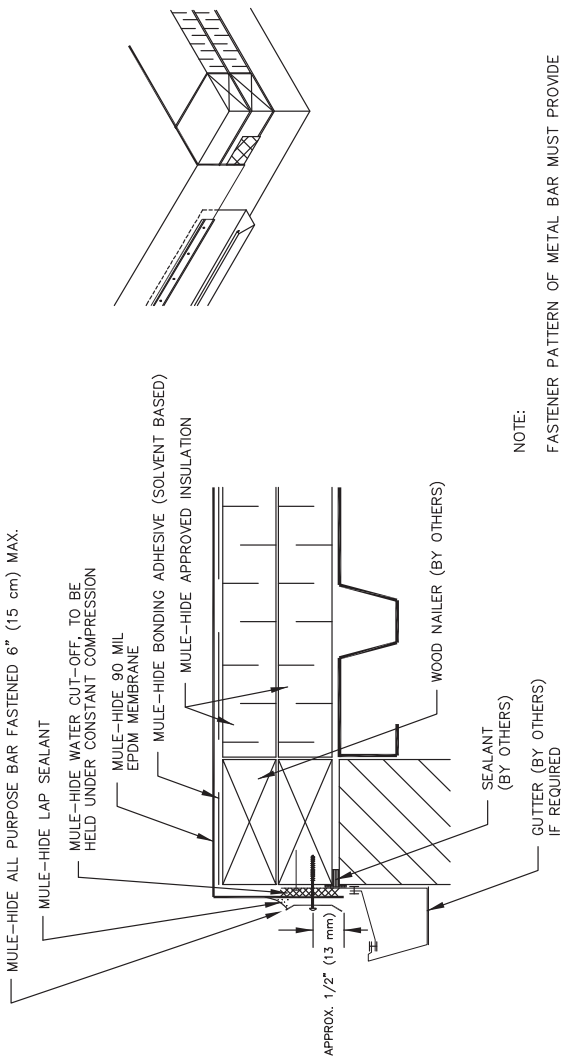
ALL REQUIREMENTS FOR 30 YEAR WARRANTY SYSTEM MUST BE FOLLOWED



**MULE-HIDE
PRODUCTS CO., INC.
2005**

Drip Edge
SYSTEMS:
Fully Adhered 90mil System

DETAIL NO.:
MHE-502

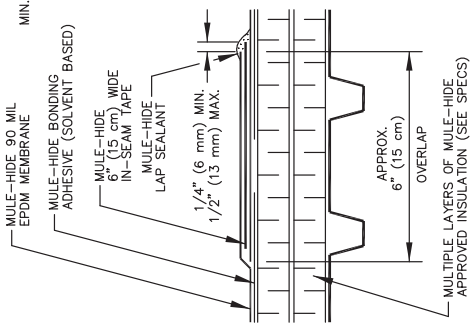
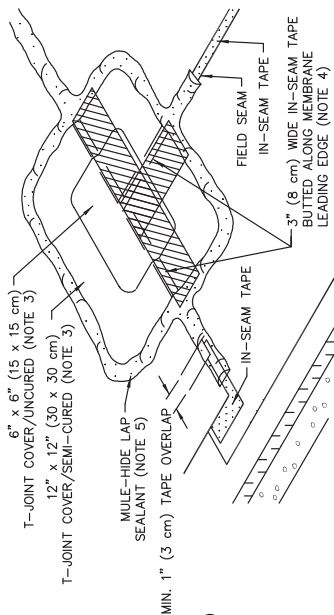


NOTE:
 FASTENER PATTERN OF METAL BAR MUST PROVIDE
 CONSTANT COMPRESSION ON WATER CUT-OFF.

**MULE-HIDE
 PRODUCTS CO., INC.
 2005**

All Purpose Bar Termination
 SYSTEMS:
 Fully Adhered 90mil System

DETAIL NO.:
MHE-503



NOTES:

1. PRIOR TO INSTALLATION OF IN-SEAM TAPE, APPLY TAPE PRIMER TO SEAM AREAS.
2. IN-SEAM TAPE IS TO BE OVERLAPPED A MINIMUM OF 1" (3 cm) AT THE ENDS OF EACH CUT PIECE.
3. AT FIELD SEAM INTERSECTIONS, APPLY A 6" x 6" (15 x 15 cm) T-JOINT COVER (UNCURED) FLASHING OVERLAIN WITH A 12" x 12" (30 x 30 cm) T-JOINT COVER (SEMI-CURED) FLASHING.
4. INSTALL 3" (8 cm) WIDE IN-SEAM TAPE (IN CONJUNCTION WITH TAPE PRIMER) ALONG LEADING EDGE OF MEMBRANE SEAM OVERLAPPING EXPOSED TAPE FROM THE SEAM.
5. CAULK ALL EDGES WITH LAP SEALANT AS SHOWN ABOVE.

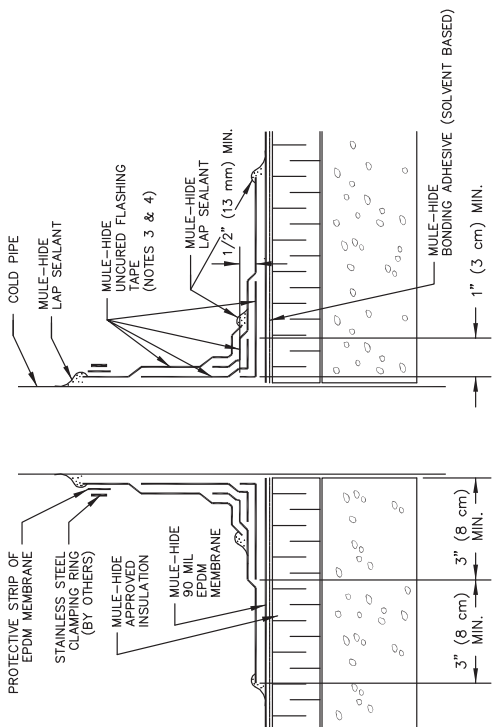
**MULE-HIDE
PRODUCTS CO., INC.
2005**

Membrane Splice With In-Seam Tape

**SYSTEMS:
Fully Adhered 90mil System**

DETAIL NO.:

MHE-508



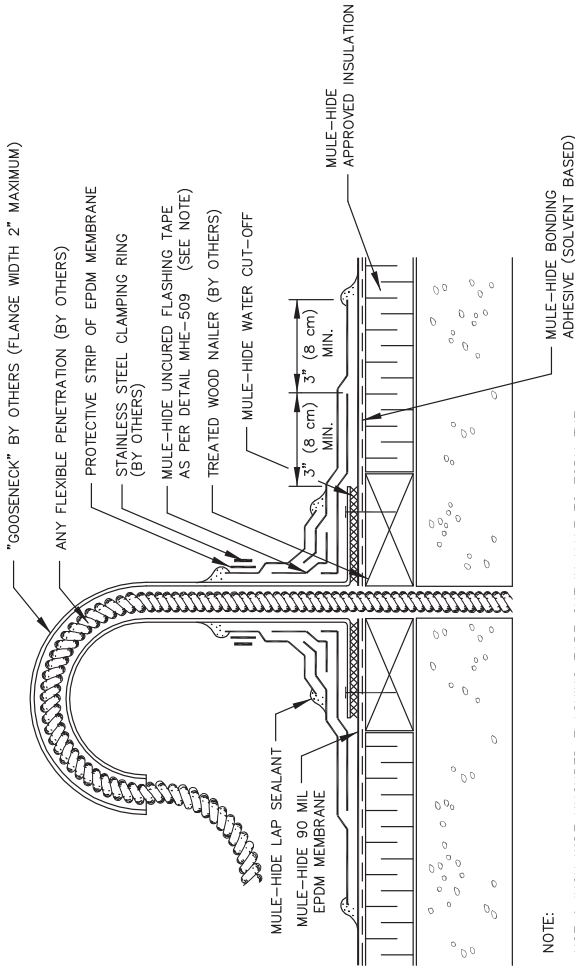
NOTES:

1. REMOVE ALL LEAD AND OTHER FLASHING BEFORE INSTALLING FIELD-FABRICATED PIPE FLASHING.
2. MEMBRANE SECUREMENT REQUIRED AROUND ALL PIPES GREATER THAN 18 INCHES (50 cm) IN DIAMETER.
3. UNCURED FLASHING TAPE WRAPPED AROUND THE PIPE SHALL HAVE 3" (8 cm) MINIMUM SEAM.
4. USE 9 INCH WIDE UNCURED FLASHING TAPE CUT IN HALF TO FORM THE FIRST WRAP AROUND PIPE. THE SECOND WRAP SHALL BE FORMED USING A FULL WIDTH OF 9 INCH WIDE UNCURED FLASHING TAPE.

**MULE-HIDE
PRODUCTS CO., INC.
2005**

Field Fabricated Pipe Seal
SYSTEMS:
Fully Adhered 90mil System

DETAIL NO.:
MHE-509



NOTE:

USE 9 INCH WIDE UNCURED FLASHING TAPE CUT IN HALF TO FORM THE FIRST WRAP AROUND THE PIPE. THE SECOND WRAP SHALL BE FORMED USING A FULL WIDTH OF 9 INCH WIDE UNCURED FLASHING TAPE.

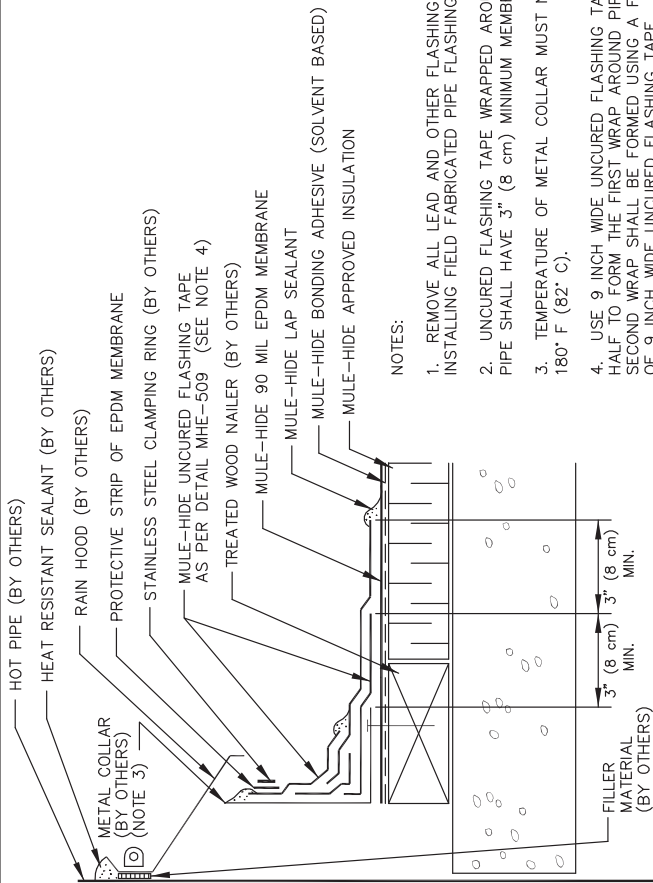
**MULE-HIDE
PRODUCTS CO., INC.
2005**

Flexible Penetration

**SYSTEMS:
Fully Adhered 90mil System**

DETAIL NO.:

MHE-510



NOTES:

1. REMOVE ALL LEAD AND OTHER FLASHING BEFORE INSTALLING FIELD FABRICATED PIPE FLASHING.
2. UNCURED FLASHING TAPE WRAPPED AROUND THE PIPE SHALL HAVE 3" (8 cm) MINIMUM MEMBRANE SEAM.
3. TEMPERATURE OF METAL COLLAR MUST NOT EXCEED 180° F (82° C).
4. USE 9 INCH WIDE UNCURED FLASHING TAPE CUT IN HALF TO FORM THE FIRST WRAP AROUND PIPE. THE SECOND WRAP SHALL BE FORMED USING A FULL WIDTH OF 9 INCH WIDE UNCURED FLASHING TAPE.

**MULE-HIDE
PRODUCTS CO., INC.
2005**

Field Fabricated Hot Stack
SYSTEMS:
Fully Adhered 90mil System

DETAIL NO.:

MHE-511

MULE-HIDE PRODUCTS CO., INC. 2005

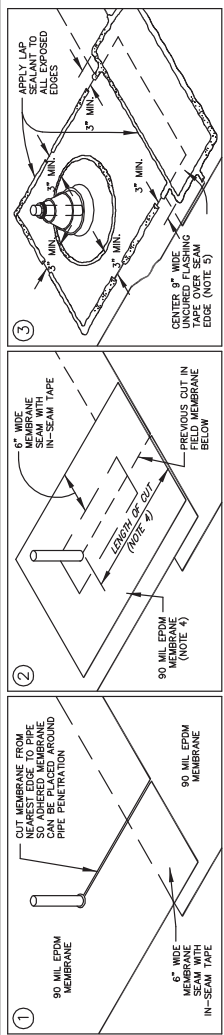
Mule-Hide Molded Pipe Flashing
with Tape

SYSTEMS:

Fully Adhered 90mil System

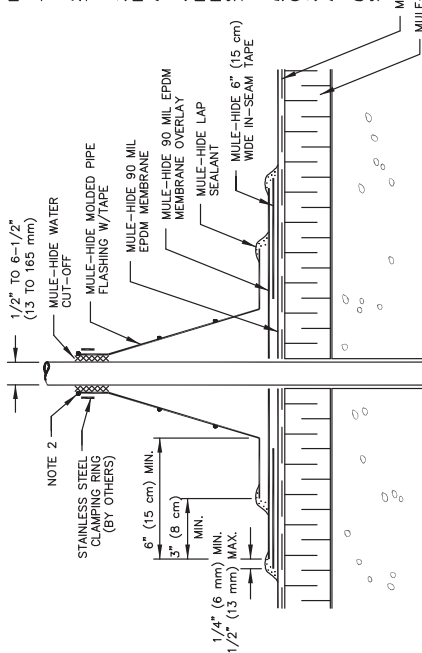
DETAIL NO.:

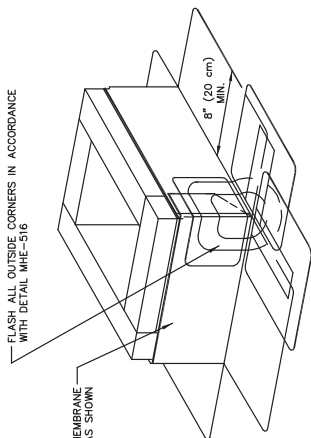
MHE-512



NOTES:

1. REMOVE ALL LEAD AND OTHER FLASHING.
2. PIPE FLASHING MUST HAVE INTACT RIB AT TOP EDGE, REGARDLESS OF PIPE DIAMETER.
3. DECK FLANGES OF THE MOLDED PIPE FLASHING SHALL NOT BE OVERLAPPED, CUT OR APPLIED OVER ANY ANGLE CHANGE.
4. 90 MIL MEMBRANE OVERLAY AT CUT IN FIELD MEMBRANE MUST EXTEND 3 INCHES BEYOND MOLDED PIPE FLASHING FLANGE ON 3 SIDES *AND* EXTEND THE LENGTH OF THE CUT IN THE FIELD MEMBRANE AS SHOWN ABOVE.
5. CENTER 9" WIDE UNCURVED FLASHING TAPE OVER THE MEMBRANE SPlice EDGE AND EXTEND 3" BEYOND THE MEMBRANE OVERLAY AS SHOWN ABOVE.
6. CAULK ALL EDGES WITH LAP SEALANT AS SHOWN ABOVE.

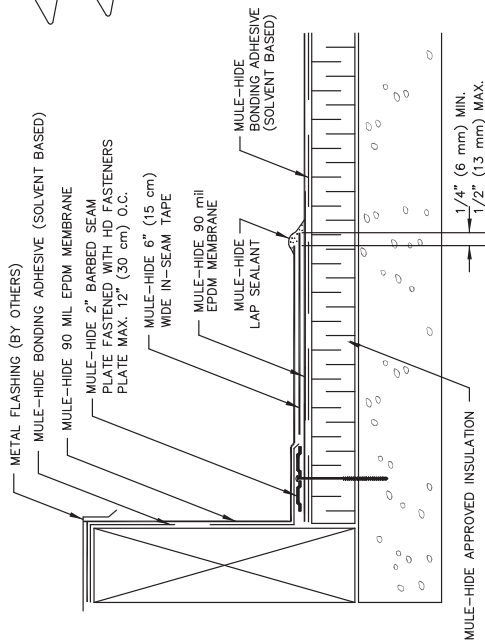




LAP SEALANT IS REQUIRED ON ALL EXPOSED FLASHING EDGES

NOTES:

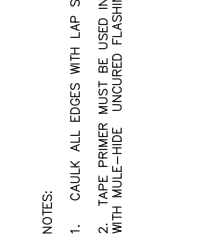
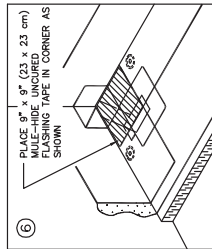
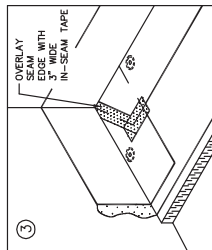
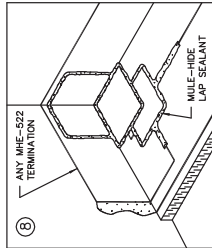
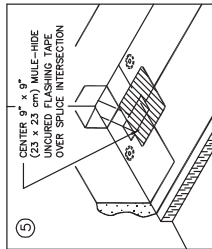
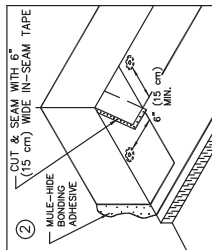
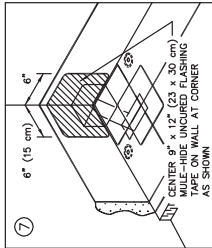
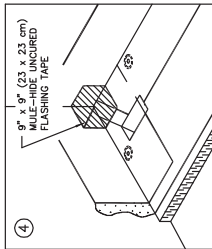
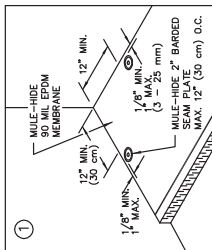
1. IF VERTICAL SEAM IS NOT LOCATED AT CORNER, A 4.5" x 6" (12 x 15 cm) AND A 2" x 2" (23 x 30 cm) PIECE OF UNGLUED FLASHING TAPE MUST BE CENTERED OVER FIELD SPUICE AT ANGLE CHANGE.
2. FASTENING PLATES MAY BE INSTALLED VERTICALLY.
3. APPLY TAPE PRIMER PRIOR TO INSTALLING IN-SEAM TAPE.



**MULE-HIDE
PRODUCTS CO., INC.
2005**

Curb Flashing
SYSTEMS:
Fully Adhered 90mil System

DETAIL NO.:
MHE-513



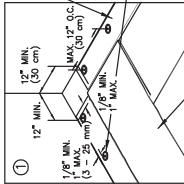
NOTES:

1. CAULK ALL EDGES WITH LAP SEALANT.
2. TAPE PRIMER MUST BE USED IN CONJUNCTION WITH MULE-HIDE UNCURED FLASHING TAPE.

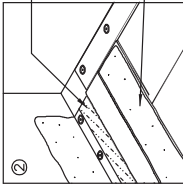
MULE-HIDE
PRODUCTS CO., INC.
2005

Inside Corner With
 Separate EPDM Wall Flashing
 SYSTEMS:
 Fully Adhered 90mil System

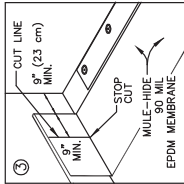
DETAIL NO.:
MHE-514



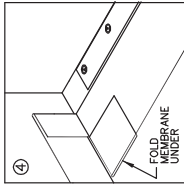
① 12" MIN. (30 cm)
 1/8" MAX. (3 mm)
 1/8" MAX. (3 mm)
 6" (23 cm) WIDE MULE-HIDE, 045° RMS W/TAPE
 MULE-HIDE 2" BARED SEAM FLATE AND FASTENER. MAX. 12" (30 cm) O.C.
 MULE-HIDE 90 MIL EPDM MEMBRANE



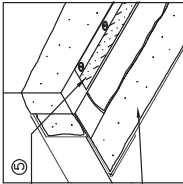
② 6" (15 cm) WIDE IN-SEAM TAPE
 MULE-HIDE BONDING ADHESIVE
 MULE-HIDE 90 MIL EPDM MEMBRANE



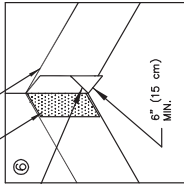
③ 12" MIN. (30 cm)
 9" MIN. (23 cm)
 1/8" MAX. (3 mm)
 MULE-HIDE 90 MIL EPDM MEMBRANE
 MULE-HIDE 6" (15 cm) WIDE IN-SEAM TAPE
 CUT 45°
 NOTES:
 1. FOR RMS SECUREMENT, REFER TO DETAIL MHE-521



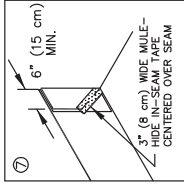
④ 6" (15 cm) WIDE MULE-HIDE IN-SEAM TAPE TO THE SEAM EDGE AS SHOWN
 COMPLETE VERTICAL SEAM AND APPLY 3" (8 cm) WIDE MULE-HIDE IN-SEAM TAPE TO THE SEAM EDGE AS SHOWN



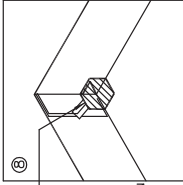
⑤ APPROX. 9" x 9" (23 x 23 cm) MULE-HIDE UNCURED FLASHING TAPE (SIMILAR TO DETAIL MHE-514)



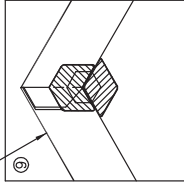
⑥ APPLY 9" x 9" (23 x 23 cm) MULE-HIDE UNCURED FLASHING TAPE ON DECK MEMBRANE AND 9" x 12" (23 x 30 cm) UNCURED FLASHING TAPE ON WALL MEMBRANE AS SHOWN (SIMILAR TO DETAIL MHE-514)
 CAULK ALL EDGES WITH LAP SEALANT (SIMILAR TO DETAIL MHE-514)



⑦ 6" (15 cm) MIN.
 1/8" MAX. (3 mm)
 6" (15 cm) WIDE MULE-HIDE IN-SEAM TAPE, CENTERED OVER SEAM



⑧ APPROX. 9" x 9" (23 x 23 cm) MULE-HIDE UNCURED FLASHING TAPE (SIMILAR TO DETAIL MHE-514)

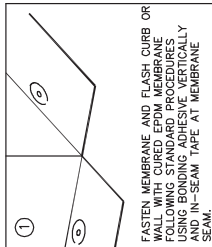


⑨ ANY MHE-522 TERMINATION

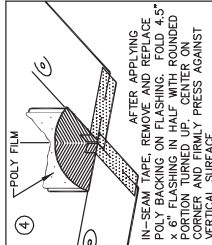
MULE-HIDE PRODUCTS CO., INC. 2005

Inside Corner With Continuous EPDM Wall Flashing SYSTEMS: Fully Adhered 90mil System

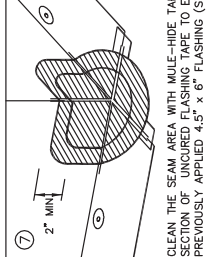
DETAIL NO.: MHE-515



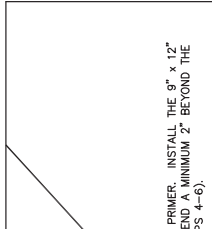
1 FASTEN MEMBRANE AND FLASH CURB OR WALL WITH CURED EPDM MEMBRANE. FLASHING IS APPLIED TO DECK MEMBRANE USING BONDING AGENT. APPLY VERTICALLY AND IN-SEAM TAPE AT MEMBRANE SEAM.



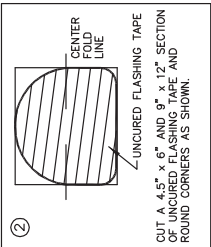
2 CUT A 4.5" x 6" AND 9" x 12" SECTION OF UN-CURED FLASHING TAPE AS SHOWN.



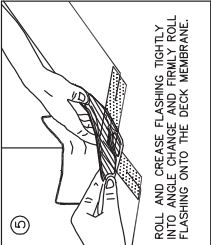
3 CLEAN THE DRY SPICE AREA OF THE EPDM WITH MULE-HIDE TAPE PRIMER. APPLY 3" WIDE IN-SEAM TAPE ALONG MEMBRANE SEAM EDGES AS SHOWN.



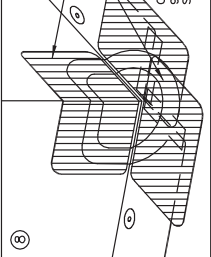
4 AFTER APPLYING IN-SEAM TAPE, REMOVE AND REPLACE POLY BACKING ON FLASHING. FOLD 4.5" x 6" FLASHING IN HALF WITH ROUNDED CORNER ON INSIDE SURFACE OR CORNER AND FIRMLY PRESS AGAINST VERTICAL SURFACE.



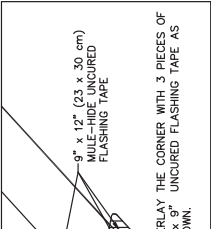
5 ROLL AND PRESS FLASHING TIGHTLY INTO CORNER SURFACE FROM ROLL FLASHING ONTO THE DECK MEMBRANE.



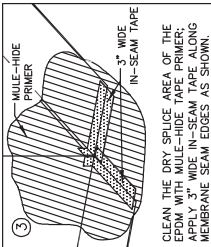
6 AFTER ADHERING, ROLL WITH A TWO INCH WIDE STEEL HAND ROLLER. PAY PARTICULAR ATTENTION TO THE STEP OFFS AND ANGLE CHANGE.



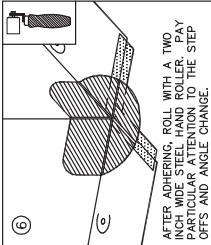
7 CLEAN THE SEAM AREA WITH MULE-HIDE TAPE PRIMER. INSTALL THE 9" x 12" SECTION OF UN-CURED FLASHING TAPE TO EXTEND A MINIMUM 2" BEYOND THE PREVIOUSLY APPLIED 4.5" x 6" FLASHING (STEPS 4-6).



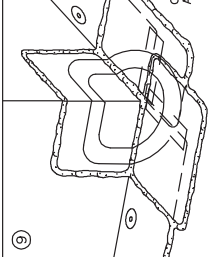
8 OVERLAY THE CORNER WITH 3 PIECES OF 9" x 12" (23 x 30.5cm) MULE-HIDE UN-CURED FLASHING TAPE AS SHOWN.



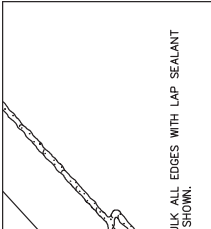
9 CAULK ALL EDGES WITH LAP SEALANT AS SHOWN.



10



11

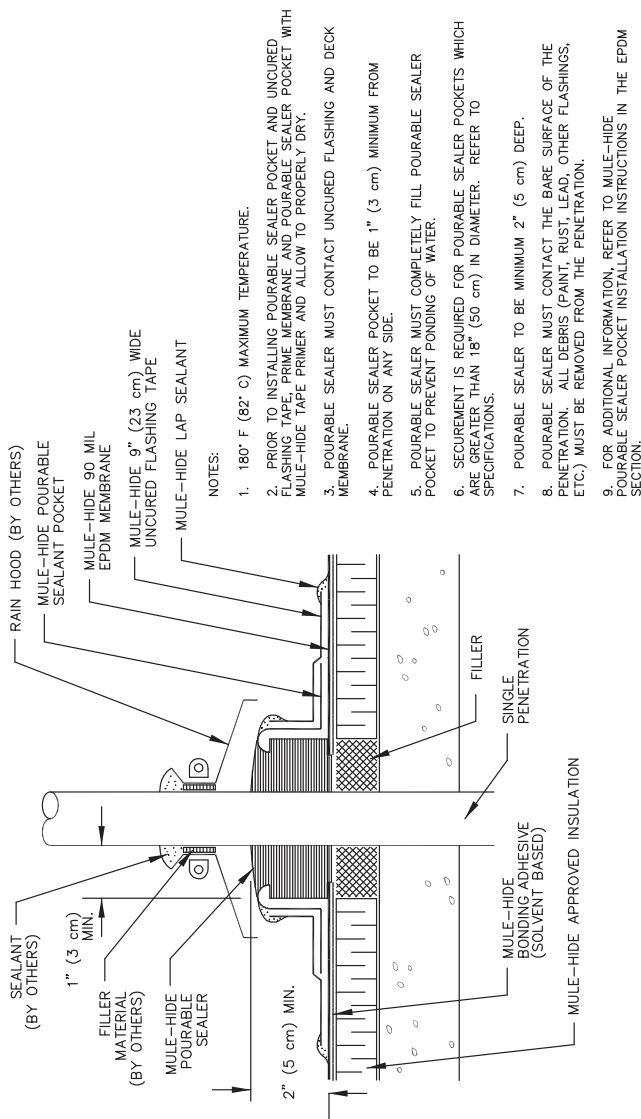


12

MULE-HIDE PRODUCTS CO., INC. 2005

Outside Corner With Uncured
Flashing Tape
SYSTEMS:
Fully Adhered 90mil System

DETAIL NO.:
MHE-516



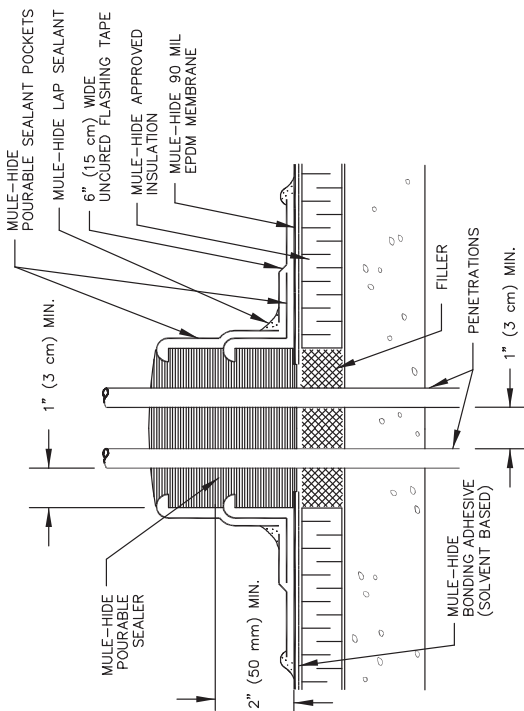
NOTES:

1. 180° F (82° C) MAXIMUM TEMPERATURE.
2. PRIOR TO INSTALLING POURABLE SEALER POCKET AND UNCURED FLASHING TAPE, PRIME MEMBRANE AND POURABLE SEALER POCKET WITH MULE-HIDE TAPE PRIMER AND ALLOW TO PROPERLY DRY.
3. POURABLE SEALER MUST CONTACT UNCURED FLASHING AND DECK MEMBRANE.
4. POURABLE SEALER POCKET TO BE 1" (3 cm) MINIMUM FROM PENETRATION ON ANY SIDE.
5. POURABLE SEALER MUST COMPLETELY FILL POURABLE SEALER POCKET TO PREVENT PONDING OF WATER.
6. SECUREMENT IS REQUIRED FOR POURABLE SEALER POCKETS WHICH ARE GREATER THAN 18" (50 cm) IN DIAMETER. REFER TO SPECIFICATIONS.
7. POURABLE SEALER TO BE MINIMUM 2" (5 cm) DEEP.
8. POURABLE SEALER MUST CONTACT THE BARE SURFACE OF THE PENETRATION. ALL DEBRIS (PAINT, RUST, LEAD, OTHER FLASHINGS, ETC.) MUST BE REMOVED FROM THE PENETRATION.
9. FOR ADDITIONAL INFORMATION, REFER TO MULE-HIDE POURABLE SEALER POCKET INSTALLATION INSTRUCTIONS IN THE EPDM SECTION.

**MULE-HIDE
PRODUCTS CO., INC.
2005**

Pourable Sealer Pocket With Rain Hood
SYSTEMS:
Fully Adhered 90mil System

DETAIL NO.:
MHE-517



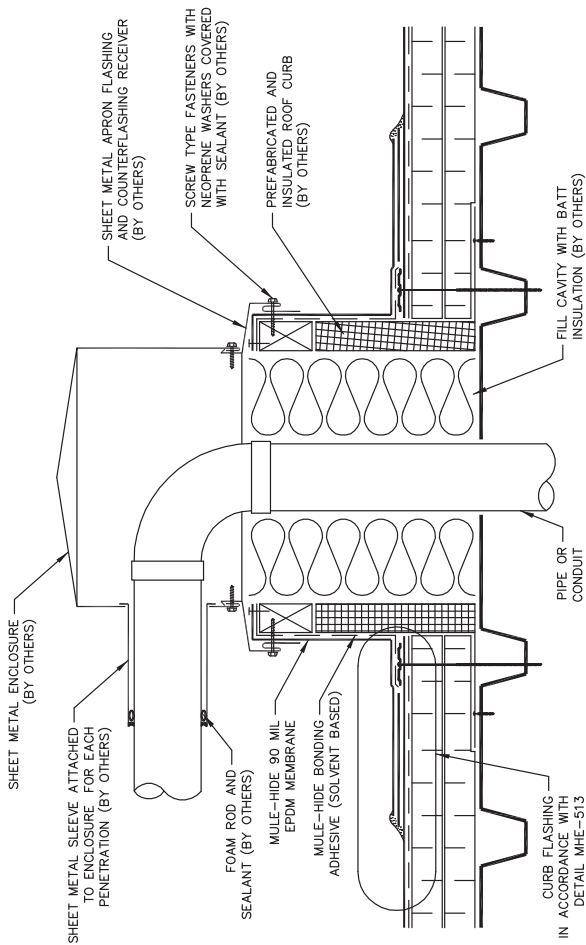
NOTES:

1. 180° F (82° C) MAXIMUM TEMPERATURE.
2. PRIOR TO INSTALLING POURABLE SEALER POCKET AND UNCURD FLASHING TAPE, PRIME MEMBRANE AND POURABLE SEALER POCKET WITH MULE-HIDE TAPE PRIMER AND ALLOW TO PROPERLY DRY.
3. POURABLE SEALER MUST CONTACT UNCURD FLASHING AND DECK MEMBRANE.
4. POURABLE SEALER POCKET TO BE 1" (3 cm) MINIMUM FROM PENETRATION ON ANY SIDE.
5. POURABLE SEALER MUST COMPLETELY FILL POURABLE SEALER POCKET TO PREVENT PONDING OF WATER.
6. SECUREMENT IS REQUIRED FOR POURABLE SEALER POCKETS WHICH ARE GREATER THAN 18" (50 cm) IN DIAMETER. REFER TO SPECIFICATIONS.
7. POURABLE SEALER TO BE MINIMUM 2" (5 cm) DEEP.
8. POURABLE SEALER MUST CONTACT THE BARE SURFACE OF THE PENETRATION. ALL DEBRIS (PAINT, RUST, LEAD, OTHER FLASHINGS, ETC.) MUST BE REMOVED FROM THE PENETRATION.
9. FOR ADDITIONAL INFORMATION, REFER TO MULE-HIDE POURABLE SEALER POCKET INSTALLATION INSTRUCTIONS IN THE EPDM SECTION.

**MULE-HIDE
PRODUCTS CO., INC.
2005**

Pourable Sealer Pocket
Double Application
SYSTEMS:
Fully Adhered 90mil System

DETAIL NO.:
MHE-518



DETAIL NO.:

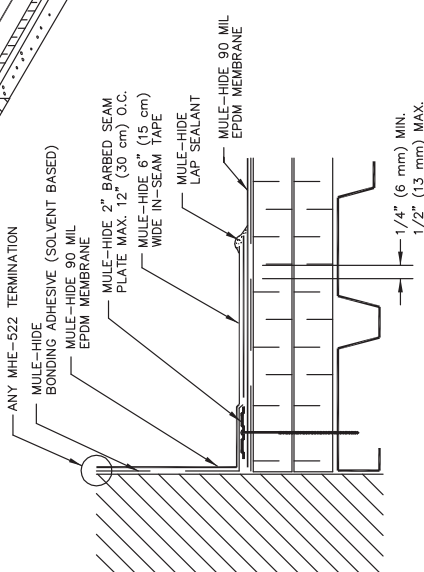
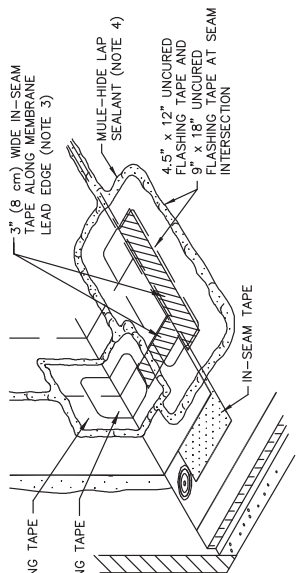
MHE-519

Multiple Penetrations Curb Detail

SYSTEMS:

Fully Adhered 90mil System

**MULE-HIDE
PRODUCTS CO., INC.
2005**



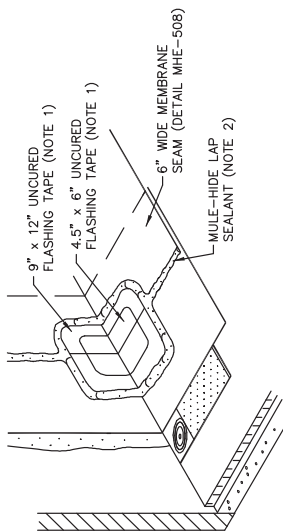
NOTES:

1. PRIOR TO INSTALLATION OF IN-SEAM TAPE, APPLY MULE-HIDE TAPE PRIMER TO SEAM AREAS.
2. IN-SEAM TAPE IS TO OVERLAP A MINIMUM OF 1" (3 cm) AT THE ENDS OF EACH CUT PIECE.
3. INSTALL 3" (8 cm) WIDE IN-SEAM TAPE (IN CONJUNCTION WITH TAPE PRIMER) ALONG THE LEADING EDGE OF THE MEMBRANE SEAM OVERLAPPING EXPOSED SEAM TAPE FROM THE SEAM.
4. CAULK ALL EDGES WITH LAP SEALANT AS SHOWN ABOVE.
5. LOCATE MHE-522 TERMINATION ABOVE ANTICIPATED WATER LEVEL.
6. FOR CORNER APPLICATIONS, SEE DETAILS MHE-514, MHE-515, AND MHE-516.
7. IF A CONTINUATION OF THE DECK MEMBRANE IS TO BE USED AS WALL FLASHING, REFER TO DETAIL MHE-521.

**MULE-HIDE
PRODUCTS CO., INC.
2005**

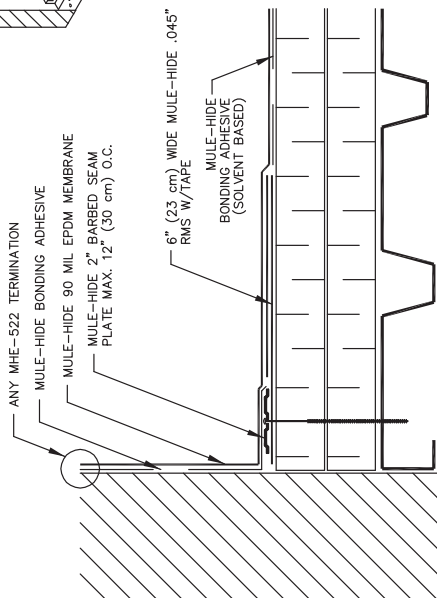
Parapet/Curb With
Separate EPDM Membrane
SYSTEMS:
Fully Adhered 90mil System

DETAIL NO.:
MHE-520



NOTES:

1. A 4.5" x 6" (12 x 15 cm) AND A 9" x 12" (23 x 30 cm) PIECE OF UNCURED FLASHING TAPE MUST BE CENTERED OVER THE FIELD SPICE AT ANGLE CHANGE.
2. CAULK ALL EDGES WITH LAP SEALANT AS SHOWN ABOVE.
3. LOCATE MHE-522 TERMINATION ABOVE ANTICIPATED WATER LEVEL.
4. FOR CORNER APPLICATIONS, SEE DETAILS MHE-514, MHE-515, AND MHE-516.

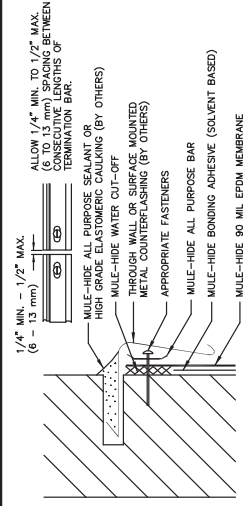
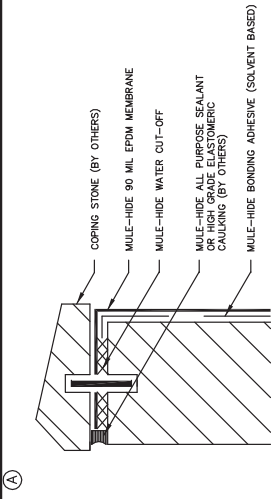


**MULE-HIDE
 PRODUCTS CO., INC.
 2005**

Wall Flashing With
 Continuous EPDM Membrane
 SYSTEMS:
 Fully Adhered 90mil System

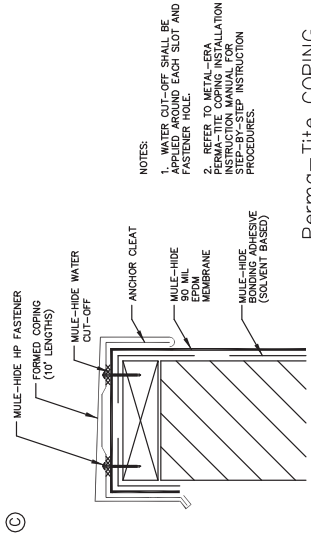
DETAIL NO.:

MHE-521



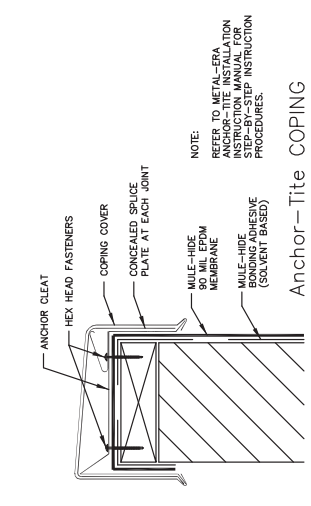
NOTES:

1. APPLY ON HARD SMOOTH SURFACE ONLY; NOT FOR USE ON WOOD.
2. WATER CUT-OFF MUST BE HELD UNDER CONSTANT COMPRESSION.
3. DO NOT WRAP COMPRESSION TERMINATION AROUND CORNERS.



NOTES:

1. WATER CUT-OFF SHALL BE APPLIED AROUND EACH SLOT AND FASTENER HOLE.
2. REFER TO META-ERA PERMA-TITE COPING INSTALLATION INSTRUCTION MANUAL FOR STEP-BY-STEP INSTALLATION PROCEDURES.



NOTE:

REFER TO META-ERA ANCHOR-TITE INSTALLATION INSTRUCTION MANUAL FOR STEP-BY-STEP INSTALLATION PROCEDURES.

MULE-HIDE PRODUCTS CO., INC.
2005

Perma-Tite COPING

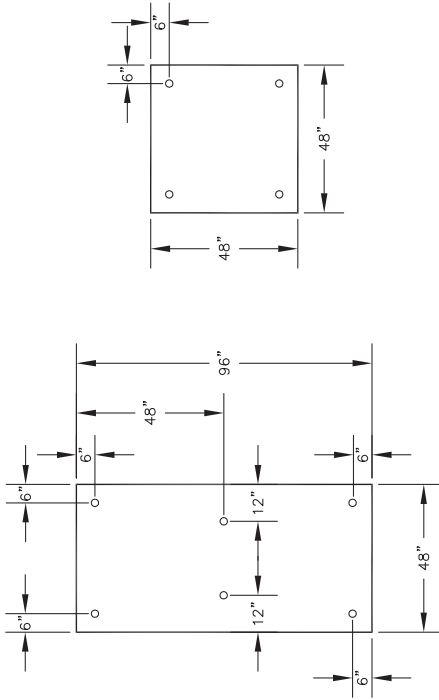
Vertical Flashing Terminations
SYSTEMS:
Fully Adhered 90mil System

DETAIL NO.:

MHE-522

Anchor-Tite COPING

FASTENING PATTERNS FOR EXTRUDED POLYSTYRENE INSULATION FOR USE DIRECTLY UNDER MECHANICALLY ATTACHED WHITE TPO REINFORCED MEMBRANE ONLY



NOTES:

1. MULE-HIDE 3" METAL STRESS PLATES MUST BE USED WITH MULE-HIDE FASTENERS FOR INSULATION ATTACHMENT.
2. FASTENER TOLERANCE SHALL BE ± 1 INCH.

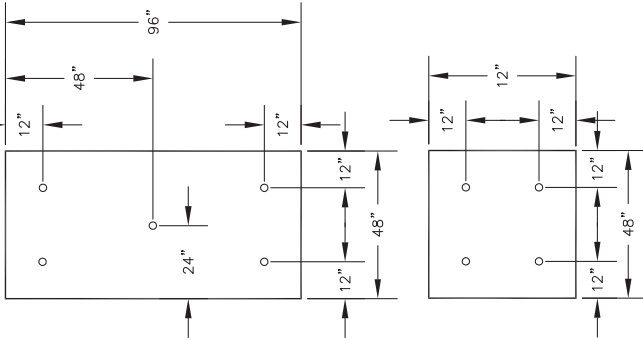
DETAIL NO.:
MHT-MA-700
REVISION DATE: 10/2013

EXTRUDED POLYSTYRENE INSULATION ATTACHMENT FASTENING PATTERNS SYSTEMS:

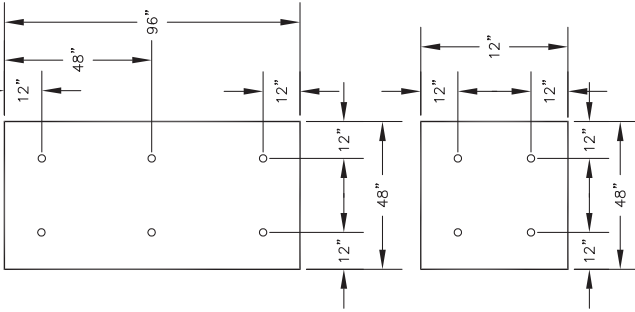
MECHANICALLY ATTACHED

MULE-HIDE PRODUCTS CO., INC.

2" OR THICKER POLYISOCYANURATE INSULATION ONLY



ALL OTHER INSULATIONS



NOTES:

1. MULE-HIDE 3" METAL STRESS PLATES MUST BE USED WITH MULE-HIDE FASTENERS FOR INSULATION ATTACHMENT.
2. FASTENER TOLERANCE SHALL BE +1 INCH.

INSULATION ATTACHMENT PATTERNS

SYSTEMS:

MECHANICALLY ATTACHED

DETAIL NO.:

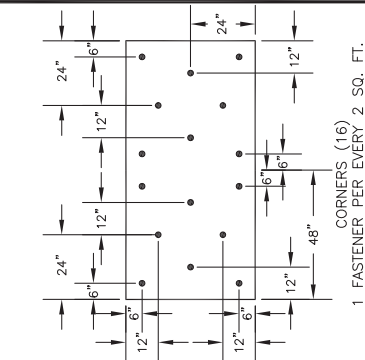
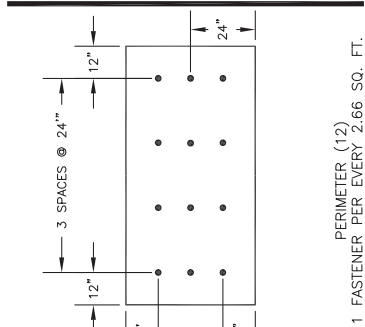
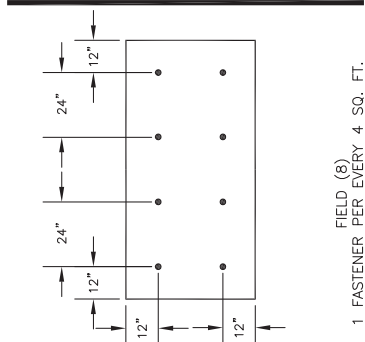
MHT-MA-701

REVISION DATE: 10/2013

MULE-HIDE PRODUCTS CO., INC.

NOTES:

1. 8 FASTENERS PER 4' X 8' BOARDS (1 FASTENER EVERY 4 SQUARE FEET) IN THE FIELD IS APPROVED FOR INSULATIONS 2" OR MORE THICK WHEN USED AS THE TOP LAYER.
2. PERIMETER AND CORNER DIMENSIONS ARE TO BE A MINIMUM OF 8' WIDE UNLESS THE PROJECT REQUIRES FACTORY MUTUAL COMPLIANCE. CONTACT MULE-HIDE TECHNICAL DEPARTMENT FOR FACTORY MUTUAL REQUIREMENTS.
3. MULE-HIDE FASTENERS AND 3" STRESS PLATES MUST BE USED FOR INSULATION ATTACHMENT.
4. REFER TO MULE-HIDE WIND UPLIFT RATINGS FOR APPROPRIATE FASTENER DENSITY REQUIRED.
5. FASTENER DENSITY INCREASES BASED ON THE FOLLOWING:
 - 50% FOR PERIMETERS
 - 100% FOR CORNERS



**MULE-HIDE
PRODUCTS CO., INC.**

**2" OR THICKER INSULATION ATTACHMENT
8 FASTENERS PER 4' X 8' IN FIELD**

**SYSTEMS:
FULLY ADHERED**

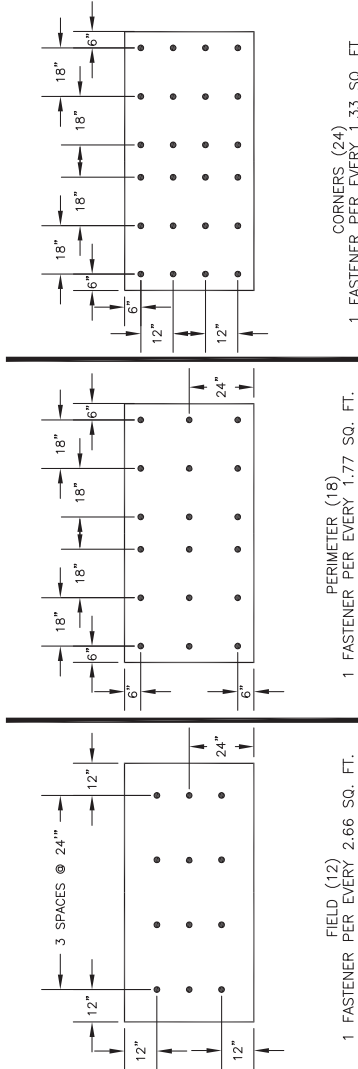
DETAIL NO.:

MHT-FA-720

REVISION DATE: 10/2013

NOTES:

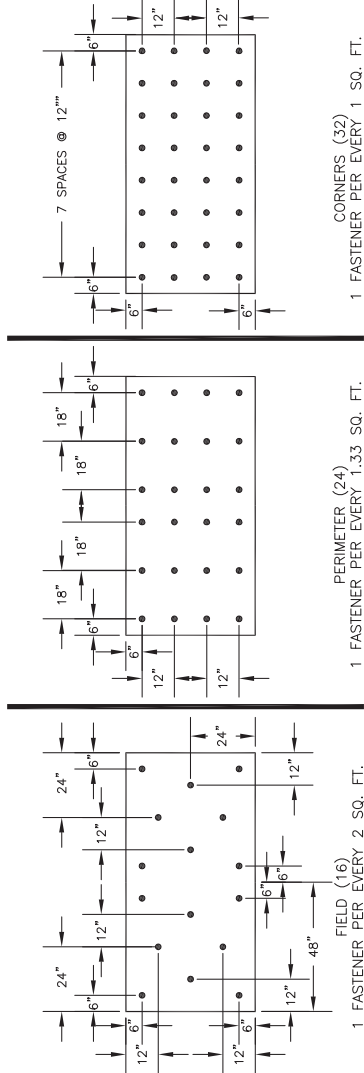
1. 12 FASTENERS PER 4' X 8' BOARD IN THE FIELD IS APPROVED FOR 1-1/2" TO 2" THICK POLYISOCYANURATE INSULATIONS WHEN USED AS THE TOP LAYER OR 1/4" DENS DECK INSTALLED AS A COVER BOARD.
2. PERIMETER AND CORNER DIMENSIONS ARE TO BE A MINIMUM OF 8" WIDE UNLESS THE PROJECT REQUIRES FACTORY MUTUAL COMPLIANCE. CONTACT MULE-HIDE TECHNICAL DEPARTMENT FOR FACTORY MUTUAL REQUIREMENTS.
3. MULE-HIDE FASTENERS AND 3" STRESS PLATES MUST BE USED FOR INSULATION ATTACHMENT.
4. REFER TO MULE-HIDE WIND UPLIFT RATINGS FOR APPROPRIATE FASTENER DENSITY REQUIRED.
5. FASTENER DENSITY INCREASES BASED ON THE FOLLOWING:
 - 50% FOR PERIMETERS
 - 100% FOR CORNERS



MULE-HIDE PRODUCTS CO., INC.	INSULATION ATTACHMENT 12 FASTENERS PER 4' X 8' IN FIELD SYSTEMS: FULLY ADHERED	DETAIL NO.: MHT-FA-721 REVISION DATE: 10/2013

NOTES:

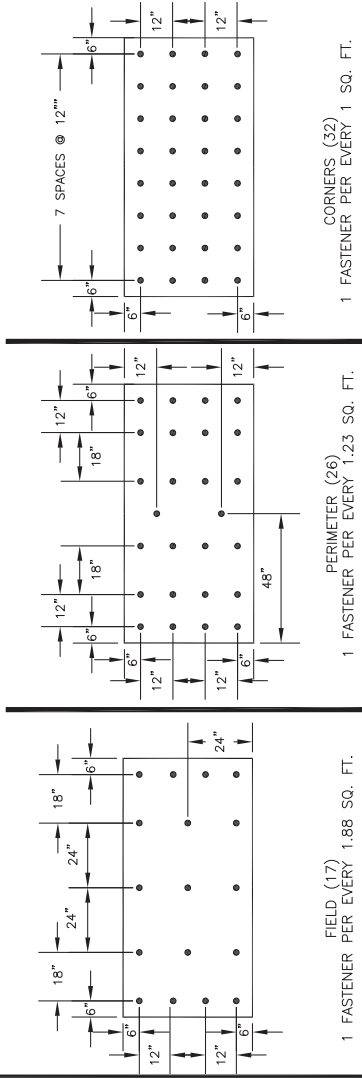
1. 16 FASTENERS PER 4' X 8' BOARD IN THE FIELD IS MULE-HIDE'S STANDARD FOR FULLY ADHERED TPO ROOFING SYSTEMS.
2. PERIMETER AND CORNER DIMENSIONS ARE TO BE A MINIMUM OF 8' WIDE UNLESS THE PROJECT REQUIRES FACTORY MUTUAL COMPLIANCE. CONTACT MULE-HIDE TECHNICAL DEPARTMENT FOR FACTORY MUTUAL REQUIREMENTS.
3. MULE-HIDE FASTENERS AND 3" STRESS PLATES MUST BE USED FOR INSULATION ATTACHMENT.
4. REFER TO MULE-HIDE WIND UPLIFT RATINGS FOR APPROPRIATE FASTENER DENSITY REQUIRED.
5. FASTENER DENSITY INCREASES BASED ON THE FOLLOWING:
 - 50% FOR PERIMETERS
 - 100% FOR CORNERS



MULE-HIDE PRODUCTS CO., INC.	INSULATION ATTACHMENT SYSTEMS: FULLY ADHERED	DETAIL NO.: MHT-FA-722
		REVISION DATE: 10/2013

NOTES:

1. 17 FASTENERS PER 4' X 8' BOARD IN THE FIELD IS APPROVED FOR OSB COVER BOARDS OR OSB/POLYISOCYANURATE COMPOSITE INSULATION.
2. PERIMETER AND CORNER DIMENSIONS ARE TO BE A MINIMUM OF 8" WIDE UNLESS THE PROJECT REQUIRES FACTORY MUTUAL COMPLIANCE. CONTACT MULE-HIDE TECHNICAL DEPARTMENT FOR FACTORY MUTUAL REQUIREMENTS.
3. MULE-HIDE FASTENERS AND 3" STRESS PLATES MUST BE USED FOR INSULATION ATTACHMENT.
4. REFER TO MULE-HIDE WIND UPLIFT RATINGS FOR APPROPRIATE FASTENER DENSITY REQUIRED.
5. FASTENER DENSITY INCREASES BASED ON THE FOLLOWING:
 - 50% FOR PERIMETERS
 - 100% FOR CORNERS



**MULE-HIDE
PRODUCTS CO., INC.**

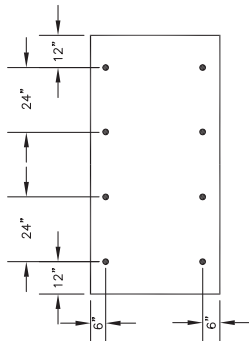
**INSULATION ATTACHMENT
SYSTEMS:
FULLY ADHERED**

DETAIL NO.:
MHT-FA-723

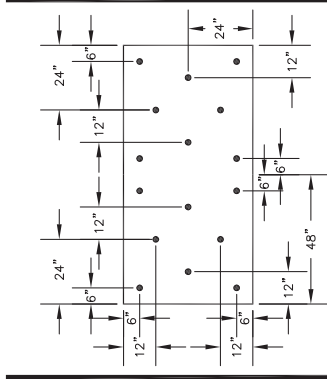
REVISION DATE: 10/2013

NOTES:

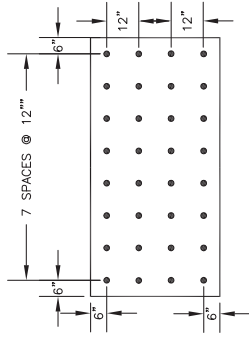
1. THESE FASTENING PATTERNS ARE TO BE USED WHEN THE PROJECT REQUIRES A FACTORY MUTUAL RATED SYSTEM. CONTACT MULE-HIDE TECHNICAL DEPARTMENT FOR APPROPRIATE USE OF THESE PATTERNS.
2. MULE-HIDE INSULATION FASTENERS AND 3" DIAMETER PLATES MUST BE USED FOR INSULATION ATTACHMENT.
3. REFER TO MULE-HIDE WIND UPLIFT RATINGS FOR APPROPRIATE FASTENER DENSITY REQUIRED.
4. FASTENER DENSITY INCREASES BASED ON THE FOLLOWING:
 - 50% FOR PERIMETERS WITH A MINIMUM OF 1 FASTENER EVERY 2 SQUARE FEET NOT TO EXCEED 1 FASTENER EVERY 1 SQUARE FEET
 - CONSTANT DENSITY OF 1 FASTENER EVERY 1 SQUARE FEET FOR CORNERS.



FIELD (8)
1 FASTENER PER EVERY 4 SQ. FT.



PERIMETER (16)
1 FASTENER PER EVERY 2 SQ. FT.



CORNERS (32)
1 FASTENER PER EVERY 1 SQ. FT.

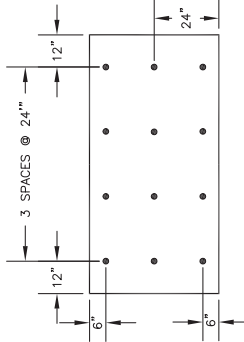
**MULE-HIDE
PRODUCTS CO., INC.**

**FM - 8 FIELD FASTENERS
PER 4' X 8' BOARD PATTERN LAYOUT
SYSTEMS:
FULLY ADHERED**

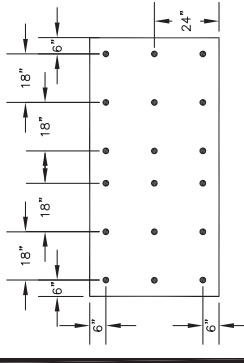
DETAIL NO.:
MHT-FM-724
REVISION DATE: 06/2015

NOTES:

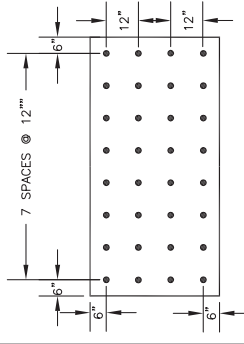
1. THESE FASTENING PATTERNS ARE TO BE USED WHEN THE PROJECT REQUIRES A FACTORY MUTUAL RATED SYSTEM. CONTACT MULE-HIDE TECHNICAL DEPARTMENT FOR APPROPRIATE USE OF THESE PATTERNS.
2. MULE-HIDE INSULATION FASTENERS AND 3" DIAMETER PLATES MUST BE USED FOR INSULATION ATTACHMENT.
3. REFER TO MULE-HIDE WIND UPLIFT RATINGS FOR APPROPRIATE FASTENER DENSITY REQUIRED.
4. FASTENER DENSITY INCREASES BASED ON THE FOLLOWING:
 - 50% FOR PERIMETERS WITH A MINIMUM OF 1 FASTENER EVERY 2 SQUARE FEET NOT TO EXCEED 1 FASTENER EVERY 1 SQUARE FOOT
 - CONSTANT DENSITY OF 1 FASTENER EVERY 1 SQUARE FEET FOR CORNERS.



FIELD (12)
1 FASTENER PER EVERY 2.66 SQ. FT.



PERIMETER (18)
1 FASTENER PER EVERY 1.77 SQ. FT.



CORNERS (32)
1 FASTENER PER EVERY 1 SQ. FT.

**MULE-HIDE
PRODUCTS CO., INC.**

**FM - 12 FIELD FASTENERS
PER 4' X 8' BOARD PATTERN LAYOUT
SYSTEMS:**

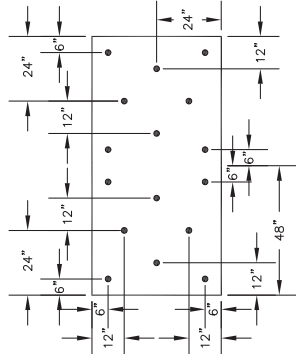
FULLY ADHERED

DETAIL NO.:
MHT-FM-725

REVISION DATE: 06/2015

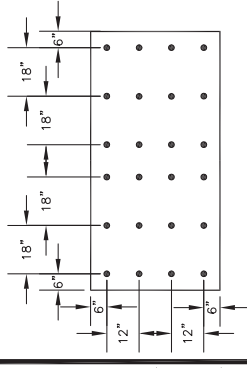
NOTES:

1. THESE FASTENING PATTERNS ARE TO BE USED WHEN THE PROJECT REQUIRES A FACTORY MUTUAL RATED SYSTEM. CONTACT MULE-HIDE TECHNICAL DEPARTMENT FOR APPROPRIATE USE OF THESE PATTERNS.
2. MULE-HIDE INSULATION FASTENERS AND 3" DIAMETER PLATES MUST BE USED FOR INSULATION ATTACHMENT.
3. REFER TO MULE-HIDE WIND UPLIFT RATINGS FOR APPROPRIATE FASTENER DENSITY REQUIRED.
4. FASTENER DENSITY INCREASES BASED ON THE FOLLOWING:
 - 50% FOR PERIMETERS WITH A MINIMUM OF 1 FASTENER EVERY 2 SQUARE FEET NOT TO EXCEED 1 FASTENER EVERY 1 SQUARE FOOT
 - CONSTANT DENSITY OF 1 FASTENER EVERY 1 SQUARE FOOT FOR CORNERS.



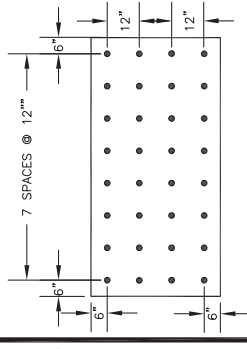
FIELD (16)

1 FASTENER PER EVERY 2 SQ. FT.



PERIMETER (24)

1 FASTENER PER EVERY 1.33 SQ. FT.



CORNERS (32)

1 FASTENER PER EVERY 1 SQ. FT.

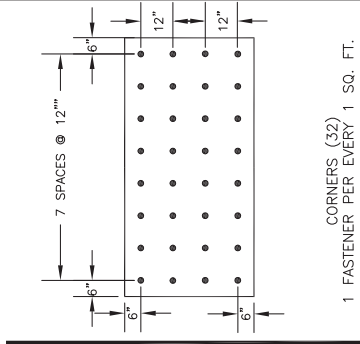
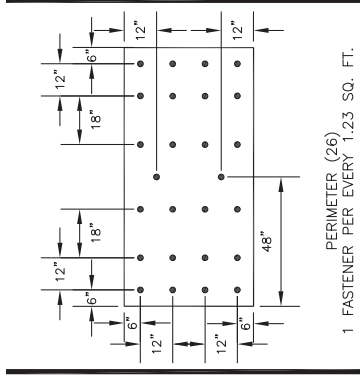
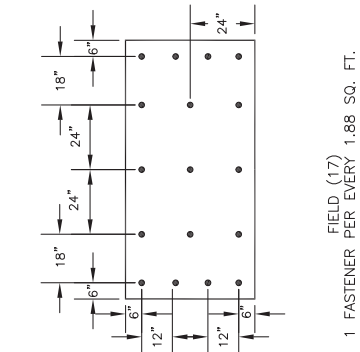
**MULE-HIDE
PRODUCTS CO., INC.**

**FM - 16 FIELD FASTENERS
PER 4' X 8' BOARD PATTERN LAYOUT
SYSTEMS:
FULLY ADHERED**

DETAIL NO.:
MHT-FM-726
REVISION DATE: 10/2013

NOTES:

1. THESE FASTENING PATTERNS ARE TO BE USED WHEN THE PROJECT REQUIRES A FACTORY MUTUAL RATED SYSTEM. CONTACT MULE-HIDE TECHNICAL DEPARTMENT FOR APPROPRIATE USE OF THESE PATTERNS.
2. MULE-HIDE INSULATION FASTENERS AND 3" DIAMETER PLATES MUST BE USED FOR INSULATION ATTACHMENT.
3. REFER TO MULE-HIDE WIND UPLIFT RATINGS FOR APPROPRIATE FASTENER DENSITY REQUIRED.
4. FASTENER DENSITY INCREASES BASED ON THE FOLLOWING:
 - 50% FOR PERIMETERS WITH A MINIMUM OF 1 FASTENER EVERY 2 SQUARE FEET NOT TO EXCEED 1 FASTENER EVERY 1 SQUARE FOOT
 - CONSTANT DENSITY OF 1 FASTENER EVERY 1 SQUARE FEET FOR CORNERS.



**MULE-HIDE
PRODUCTS CO., INC.**

**FM - 17 FIELD FASTENERS
PER 4' X 8' BOARD PATTERN LAYOUT
SYSTEMS:
FULLY ADHERED**

DETAIL NO.:
MHT-FM-727
REVISION DATE: 10/2013

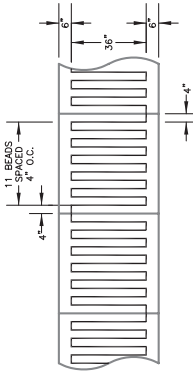


FIGURE 1
INSTALLATION USING 4" O.C.
BEADS ON 4' X 4' BOARDS

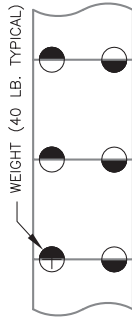


FIGURE 2
RECOMMENDED WEIGHT
PLACEMENT ON 4' X 4' BOARDS

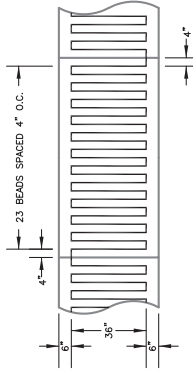


FIGURE 3
INSTALLATION USING 4" O.C.
BEADS ON 4' X 8' BOARDS

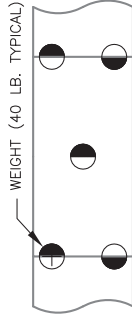


FIGURE 4
RECOMMENDED WEIGHT
PLACEMENT ON 4' X 8' BOARDS

INSULATION TYPE	MAXIMUM BOARD SIZE
HIGH DENSITY WOOD FIBERBOARD	4' X 4'
POLYSOCYANURATE	4' X 4'
EXTRUDED POLYSTYRENE (XPS)	2' X 8'
EXPANDED POLYSTYRENE (EPS)	4' X 4'
DENS DECK PRIME	4' X 8'
SECUROCK	4' X 8'
ORIENTED STRAND BOARD (OSB)	4' X 8'

COVERAGE RATES	CARTRIDGES*	TANKS
3/4" BEADS 12" O.C.	600 S.F.	3,000 S.F.
3/4" BEADS 6" O.C.	300 S.F.	1,500 S.F.
3/4" BEADS 4" O.C.	200 S.F.	1,000 S.F.

* COVERAGE RATES FOR CARTRIDGES ARE BASED ON CARTON QUANTITIES, 4 CARTRIDGES PER CARTON

**MULE-HIDE
PRODUCTS CO., INC.**

**HELIX FOAM ADHESIVE
4" RIBBON PATTERN
SYSTEMS:
ALL SYSTEMS**

**DETAIL NO.:
MHHA-UN-4**
REVISION DATE: 03/2017

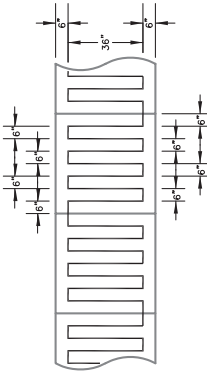


FIGURE 1
INSTALLATION USING 6" O.C.
BEADS ON 4" X 4" BOARDS

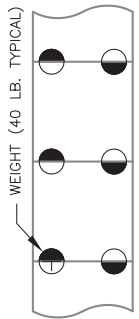


FIGURE 2
RECOMMENDED WEIGHT
PLACEMENT ON 4" X 4" BOARDS

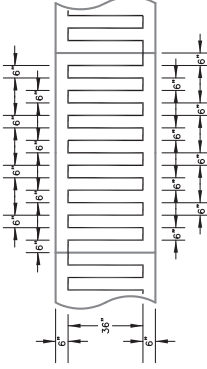


FIGURE 3
INSTALLATION USING 6" O.C.
BEADS ON 4" X 8" BOARDS

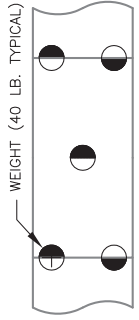


FIGURE 4
RECOMMENDED WEIGHT
PLACEMENT ON 4" X 8" BOARDS

INSULATION TYPE	MAXIMUM BOARD SIZE
HIGH DENSITY WOOD FIBERBOARD	4' X 4'
POLYSOCYANURATE	4' X 4'
EXTRUDED POLYSTYRENE (XPS)	2' X 8'
EXPANDED POLYSTYRENE (EPS)	4' X 4'
DENS DECK PRIME	4' X 8'
SECUROCK	4' X 8'
ORIENTED STRAND BOARD (OSB)	4' X 8'

COVERAGE RATES	CARTRIDGES*	TANKS
3/4" BEADS 12" O.C.	600 S.F.	3,000 S.F.
3/4" BEADS 6" O.C.	300 S.F.	1,500 S.F.
3/4" BEADS 4" O.C.	200 S.F.	1,000 S.F.

* COVERAGE RATES FOR CARTRIDGES ARE BASED ON CARTON QUANTITIES, 4 CARTRIDGES PER CARTON

**MULE-HIDE
PRODUCTS CO., INC.**

**HELIX FOAM ADHESIVE
6" RIBBON PATTERN
SYSTEMS:
ALL SYSTEMS**

**DETAIL NO.:
MHHA-UN-6**
REVISION DATE: 03/2017

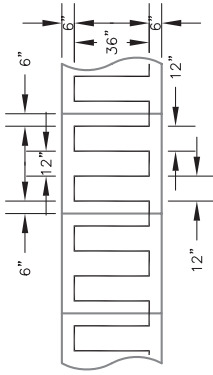


FIGURE 1
INSTALLATION USING 12" O.C.
BEADS ON 4' X 4' BOARDS

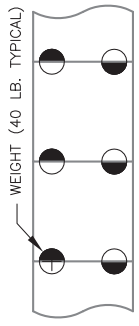


FIGURE 2
RECOMMENDED WEIGHT
PLACEMENT ON 4' X 4' BOARDS

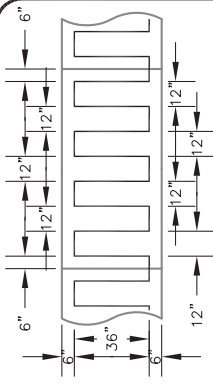


FIGURE 3
INSTALLATION USING 12" O.C.
BEADS ON 4' X 8' BOARDS

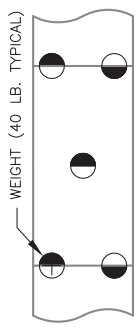


FIGURE 4
RECOMMENDED WEIGHT
PLACEMENT ON 4' X 8' BOARDS

INSULATION TYPE	MAXIMUM BOARD SIZE
HIGH DENSITY WOOD FIBERBOARD	4' X 4'
POLYISOCYANURATE	4' X 4'
EXTRUDED POLYSTYRENE (XPS)	2' X 8'
EXPANDED POLYSTYRENE (EPS)	4' X 4'
DENS DECK PRIME	4' X 8'
SECUROCK	4' X 8'
ORIENTED STRAND BOARD (OSB)	4' X 8'

COVERAGE RATES	CARTRIDGES*	TANKS
3/4" BEADS 12" O.C.	600 S.F.	3,000 S.F.
3/4" BEADS 6" O.C.	300 S.F.	1,500 S.F.
3/4" BEADS 4" O.C.	200 S.F.	1,000 S.F.

* COVERAGE RATES FOR CARTRIDGES ARE BASED ON CARTON QUANTITIES, 4 CARTRIDGES PER CARTON

MULE-HIDE PRODUCTS CO., INC.	HELIX FOAM ADHESIVE 12" RIBBON PATTERN SYSTEMS: ALL SYSTEMS
DETAIL NO.: MHHA-UN-12 REVISION DATE: 03/2017	



National Support Center • 1195 Prince Hall Drive • Beloit, WI 53511

©2017 • Printed in USA • MH LIT# SP.PGEPDM • Rev. 1 1/25