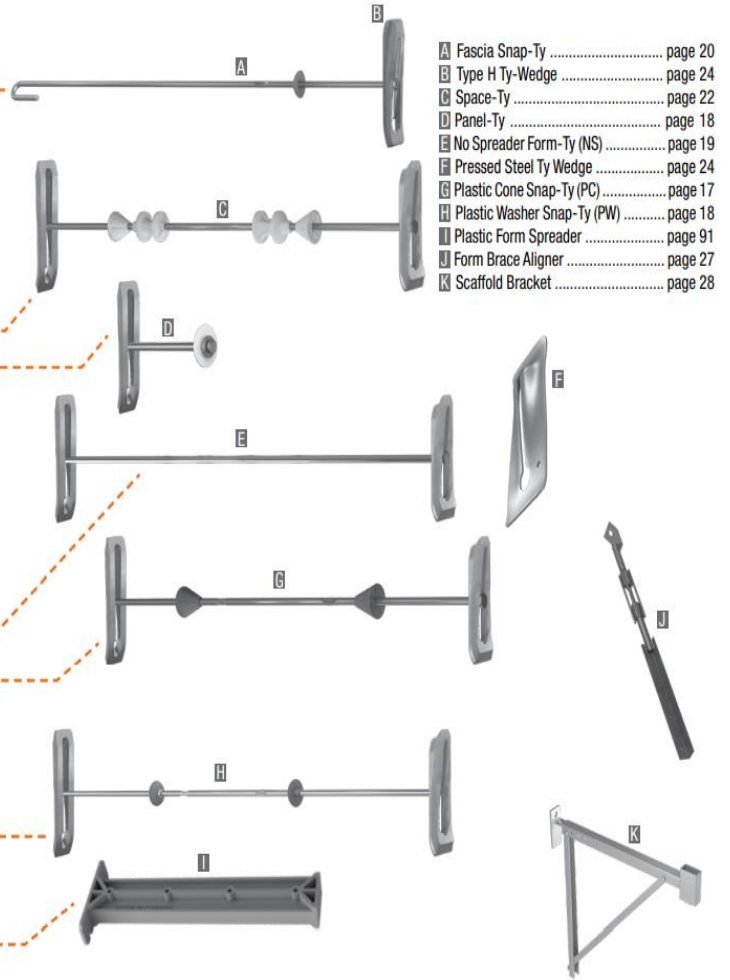
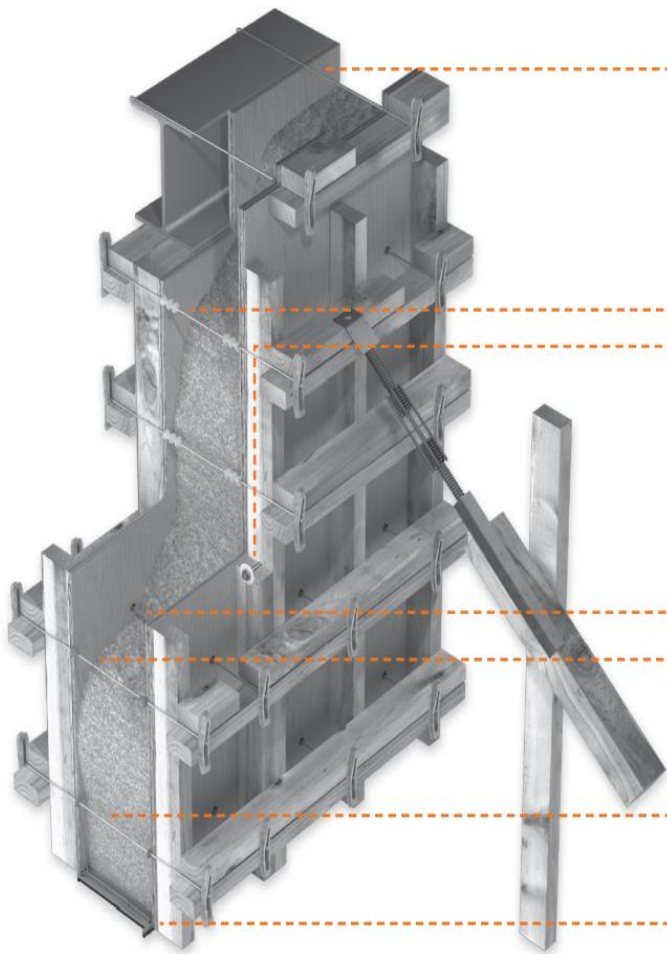


Snap-Ty System



A	Fascia Snap-Ty	page 20
B	Type H Ty-Wedge	page 24
C	Space-Ty	page 22
D	Panel-Ty	page 18
E	No Spreader Form-Ty (NS)	page 19
F	Pressed Steel Ty Wedge	page 24
G	Plastic Cone Snap-Ty (PC)	page 17
H	Plastic Washer Snap-Ty (PW)	page 18
I	Plastic Form Spreader	page 91
J	Form Brace Aligner	page 27
K	Scaffold Bracket	page 28