

# Toggle Ty

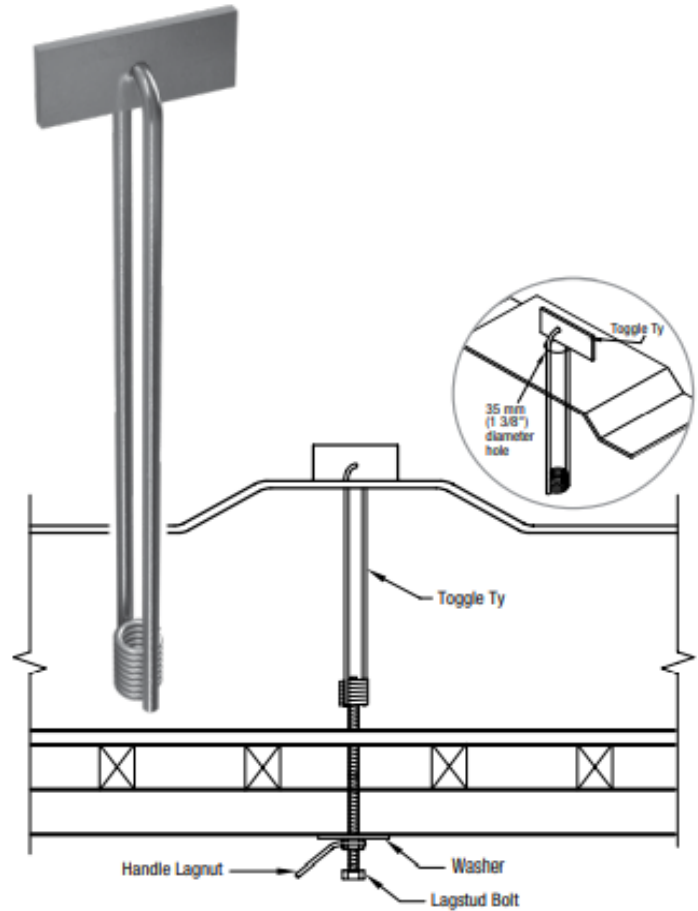
AR Toggle Tys are used to anchor a facing formwork, back to steel or wood sheet piling and require a 35 mm (1 3/8") diameter hole through the sheathing to permit entry of the toggle. Toggle plate sizes are shown below.

## APPROXIMATE SAFE WORKING LOADS 2:1

To order, please specify the following information

### EXAMPLE

Name ..... Toggle Ty  
 Type ..... standard 2.25M  
 Diameter ..... 13 mm (1/2")  
 Length ..... 380 mm (15")  
 Plate size ..... 5 mm x 32 mm x 75 mm (3/16" x 1 1/4" x 3")  
 Quantity ..... 200



Type	Safe Load	TOGGLE SIZE	
		Steel Sheathing	Wood Sheathing
13 mm (1/2") Standard 2.25M	10 kN (2,250 lbs)	5 mm x 32 mm x 75 mm (3/16" x 1 1/4" x 3")	10 mm x 25 mm x 115 mm (3/8" x 1" x 4 1/2")
13 mm (1/2") Heavy 3.75M	17 kN (3,750 lbs)	6 mm x 32 mm x 75 mm (1/4" x 1 1/4" x 3")	10 mm x 25 mm x 115 mm (3/8" x 1" x 4 1/2")