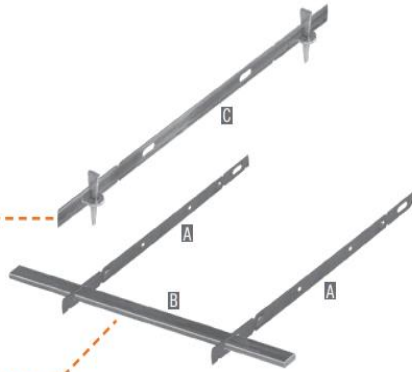
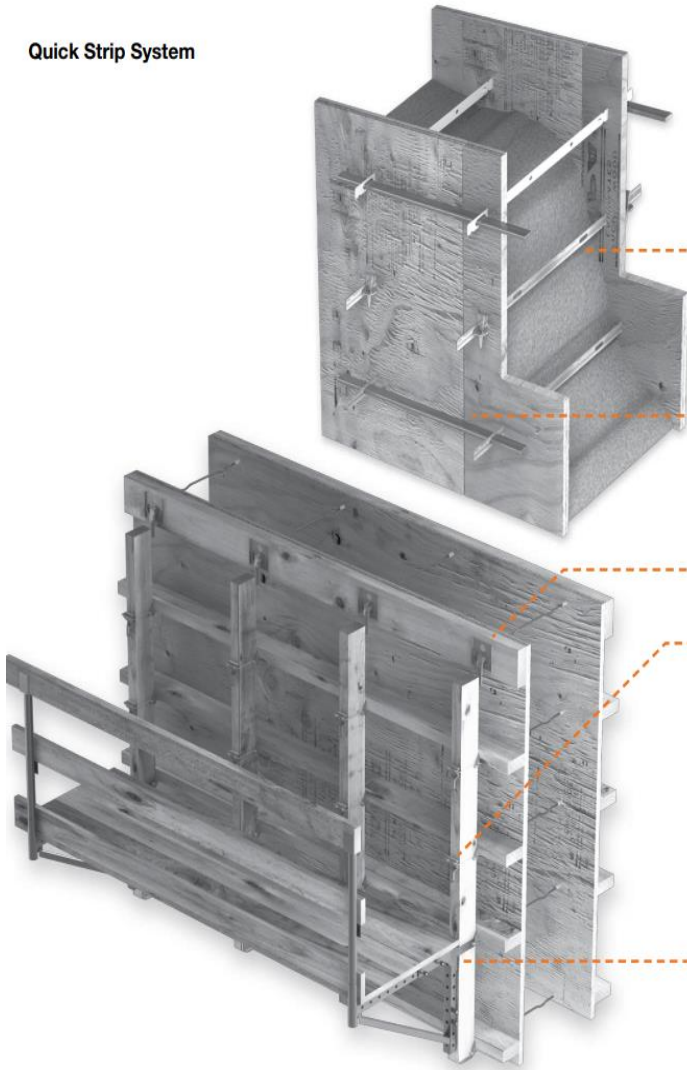


**Quick Strip System**



**Quick Strip Outside**  
**A** Quick Strip Ty ..... page 34  
**B** Waler Bar ..... page 35

**Flat Bar Ty System**  
**C** X-Flat Ty ..... page 38

**Cam-Lock/Anchor-Lock Forming System**  
**D** Cam-Lock Self Centering D-Cone Ty... page 30  
**E** Cam-Lock Stiff-Back Cam ..... page 31  
**F** Cam-Lock Bracket ..... page 31  
**G** Cam-Lock Handrail Post ..... page 31  
**H** Cam-Lock Scaffold Bracket ..... page 32

