

## Space-Ty™

### BREAK BACK ASSURED

The Space-Ty™ re-bar locating device protects the break point during the concrete placement assuring a positive break and easy removal of the Ty end.

### IMPROVED WATER SEAL

The plastic locating device is securely moulded to the Snap-Ty, effectively breaking the wire surface continuity, reducing the possibility of water seepage.

### FIXED RE-BAR LOCATING DEVICE

Designed to accept and lock in place 10M, 15M, or 20M (#4, #5 or #6) re-bar into the correct position, preventing any movement during the concrete placement.

### REMOVABLE PLASTIC CONE

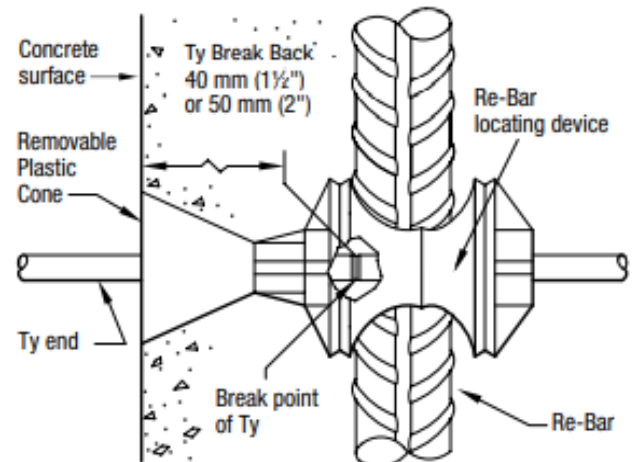
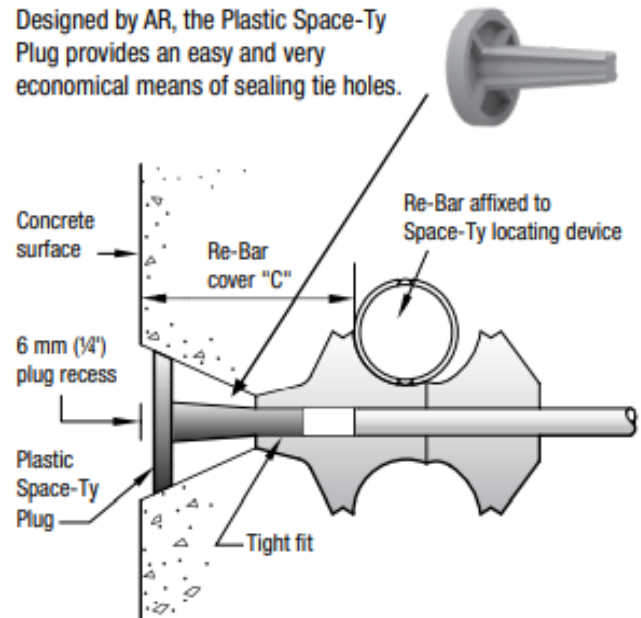
The Removable Plastic Cone provides for an architectural recess in the concrete which can be sealed using the AR Plastic Set Back Tyscru Plug or by using standard grouting practices.

### GUARANTEES CONCRETE COVER

The re-bar locating device guarantees the concrete cover as outlined in CSA -A23-3-M90. The Space-Ty™ rebar locating device complies with the Recommended Practice for Concrete Formwork as outlined in Architectural Concrete (ACI 347-95).

NOTE: Space-Tys™ have a guaranteed standard 40 mm (1½") set back. A 50 mm (2") set back is available on special order. Refer to Lateral Pressure Design information on page 102 and typical Light Formwork on page 107 of the Appendix.

Designed by AR, the Plastic Space-Ty Plug provides an easy and very economical means of sealing tie holes.



### Guaranteed concrete cover

For exposed conditions of  
40 mm, 50 mm (1½", 2")

