

## Waler Bracket Forming System

The AR Waler Bracket is a proven method to form light weight walls and foundations. The basic unit of this system is the bracket with a moving wedge which provides the most effective type lock for the Snap-Ty. The basic components are the Waler Bracket and Snap-Tys, with plywood panels and loose 38 mm x 89 mm (standard 2x4 walers). No nailing is needed. Erection and stripping are made fast and simple and materials last longer. The Waler Bracket Forming System will save up to 50% of the forming cost.

### Single Waler Bracket

The AR Waler Bracket is designed to be used with any AR Short-End Snap-Ty. The durable bracket can be used with both horizontal walers and vertical studs for any type of wall form; round, curved, battered, beam and/or columns. The Single Waler Bracket is fabricated from heavy gauge steel which is plated to resist corrosion for improved durability and reuse.

To order, please specify the following information

EXAMPLE

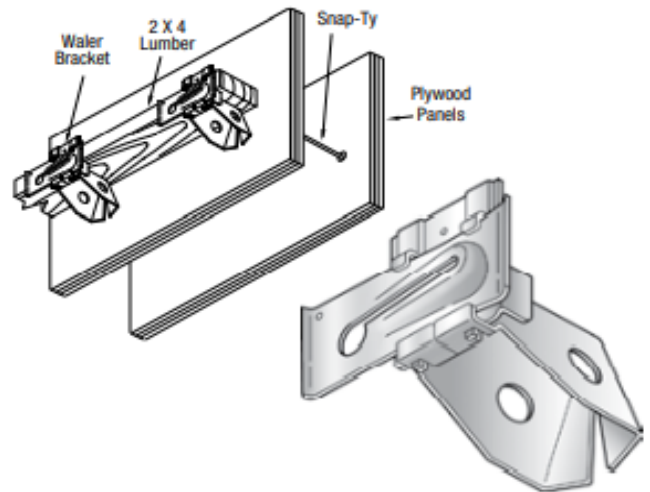
Name ..... Single Waler Bracket

Quantity ..... 200

**APPROXIMATE SAFE WORKING LOAD**

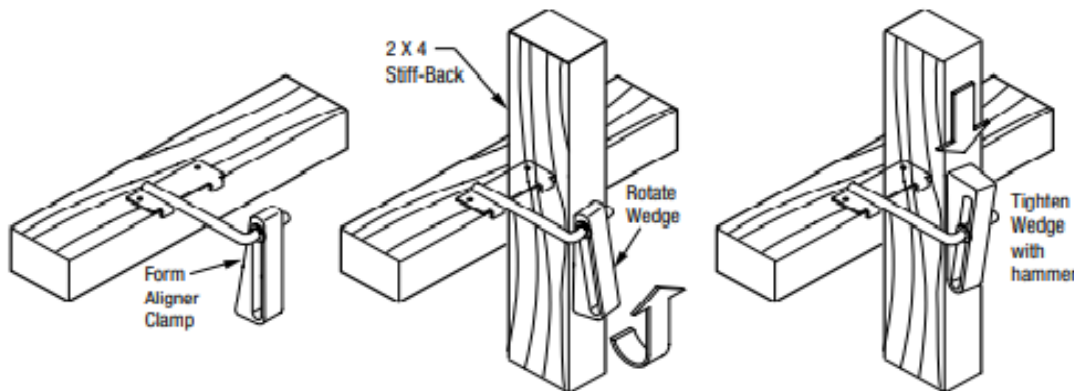
**12 kN (2,700 LBS)**

**2:1 Safety Factor**



### Strong Back

The AR Form Aligner Clamp is designed for use with a single 38 mm x 89 mm (2" x 4") strong back for either vertical or horizontal form alignment. The Form Aligner Clamp can be installed after erection of the forms and is not limited by form-ty spacing. Sturdy, galvanized construction reduces maintenance and replacement and speedy installation reduces forming costs.



To order, please specify the following information

EXAMPLE

Name ..... Strong Back

Quantity ..... 200