



AccuTrac EZ

FASTENING SYSTEM



RhinoTrac EZ

FASTENING SYSTEM



Easier to use than ever with simplified maintenance, and now cordless for freedom to move anywhere on the roof.

OWNER'S MANUAL

IMPORTANT!
Save this manual
and read it in full
before use.

TL1011USA Rev. 09252025



153 BOWLES ROAD, AGAWAM, MA 01001 USA

800-633-3800 413-789-0252 OMGROOFING.COM

TABLE OF CONTENTS

- 3 Safety Instructions**
- 5 Intended Use**
- 6 The AccuTrac EZ System**
- 7 Operating Instructions**
- 8 Parts Removal and Replacement**
 - Screw Gun Removal and Replacement**
 - Drive Shaft, Hex Pin Insert and Bit(s)**
- 9 Plate Shuttler Insert Discs**
 - Clearing Fastener and Plate Jams**
 - Cleaning Procedure**
 - Warranty and Remedy**
- 10 Troubleshooting Problems**

ABOUT THIS MANUAL

The AccuTrac EZ tool is presented throughout this manual as the example for processes and instructions. Since the AccuTrac EZ and RhinoTrac EZ tools are similar, the methods presented apply to both tools, except where noted.

If you have any questions or concerns about any of the material presented in this manual, please contact your local OMG Field Sales Representative or call OMG Roofing Products at 800.633.3800 or 413.789.0252.

PLEASE NOTE: This manual deals only with the use and operation of the AccuTrac EZ and RhinoTrac EZ tool. For specific information about the use, operation, and limitations of the screw-gun component of the tool, refer to the separate Owner's Manual provided by the screw gun manufacturer, which has been included with the tool.

IMPORTANT SAFETY INSTRUCTIONS

Read and follow all instructions before using the AccuTrac EZ or RhinoTrac EZ Tools. Failure to follow all instructions could result in property damage, electric shock, death or serious personal injury. This manual does not cover all possible conditions that may occur. Contact OMG Roofing Products about issues that are not addressed in this manual, or that you do not understand.

Below are the safety alert symbols used in this manual, which alert you to potential hazards. Each includes the safety symbol and a signal word, which is defined as follows:



WARNING This indicates a hazardous situation which, if not avoided, could result in death or serious injury.



CAUTION This indicates a hazardous situation which, if not avoided, will result in minor or moderate injury.



NOTICE is used to address practices not related to physical injury.



SAFETY INSTRUCTIONS (or equivalent) signs indicate specific safety-related instructions or procedures.

SAVE THIS MANUAL FOR FUTURE REFERENCE

If you have any questions or comments about this or any OMG Roofing Products tool, call us at 800-633-3800, or 413-789-0252.



READ ALL SAFETY WARNINGS AND ALL INSTRUCTIONS. FAILURE TO FOLLOW THE WARNINGS AND INSTRUCTIONS MAY RESULT IN ELECTRIC SHOCK, FIRE AND/OR SERIOUS INJURY.

THE TERM "POWER TOOL" IN THE WARNINGS REFERS TO YOUR ELECTRIC (I.E. CORDED) POWER TOOL.



1. WORK AREA SAFETY

- Keep work area clean and well lit. Cluttered or dark areas invite accidents.
- Do not operate power tools in explosive atmospheres, such as in the presence of flammable liquids, gases or dust. Arcing could occur which could ignite the dust or fumes.
- Keep children and bystanders away while operating power tools. Distractions can result in loss of control and serious injury.



2. ELECTRICAL SAFETY

- Power tool plugs must match the outlet. Never modify the plug in any way. Do not use any adapter plugs with earthed (grounded) power tools. Unmodified plugs and matching outlets will reduce risk of electric shock.
- Avoid body contact with earthed or grounded surfaces such as pipes, HVAC equipment, or lightning protection equipment. There is an increased risk of electric shock if your body is earthed or grounded.
- Do not expose power tools to rain or wet conditions. Water entering a power tool will increase the risk of electric shock.
- If operating a power tool in a damp location is unavoidable, use a ground fault circuit interrupter (GFCI) protected supply. Use of a GFCI reduces the risk of electric shock.

WARNING

3. PERSONAL SAFETY

- a) Stay alert, watch what you are doing, and use common sense when operating power tools. Do not use power tools while you are tired or under the influence of drugs, alcohol or medication. A moment of inattention while operating power tools may result in serious personal injury.
- b) Use personal protective equipment. Always wear eye protection. Other protective equipment such as a nonskid safety shoes, hard hat, hearing protection, and/or dust mask used for appropriate conditions can reduce personal injuries.
- c) Prevent unintentional starting. Ensure that the switch is in the "OFF" position before connecting to a power source, picking up or carrying the tool. Carrying power tools with your finger on the switch or energizing power tools that have the switch "ON" can invite accidents.
- d) Do not overreach. Keep proper footing and balance at all times. This enables better control of the power tool in unexpected situations.
- e) Dress properly. Do not wear loose clothing or jewelry. To avoid potential personal injury, keep hair, clothing, and gloves away from moving parts.

WARNING

4. POWER TOOL USE AND CARE

- a) Do not force the power tool. Use the correct power tool for your application. The correct power tool will do the job better and safer at the rate for which it was designed.
- b) Disconnect the plug from the power source before inspecting, cleaning or storing power tools. Such preventive safety measures reduce the risk of activating the tool accidentally.
- c) Store idle power tools out of the reach of children and do not allow persons unfamiliar with the power tool or these instructions to operate the power tool. Power tools are dangerous in the hands of untrained users.
- d) Maintain power tools. Check for cracked or broken parts or any other condition that may affect the power tool's operation. If damaged, have the power tool repaired before use. Many accidents are caused by poorly maintained power tools. Contact OMG Roofing at 800.633.3800 or 413.789.0252 for details.
- e) Use the power tool, in accordance with these instructions, taking into account the working conditions and the work to be performed. Use of the power tool for operations different from those intended could result in a hazardous situation.

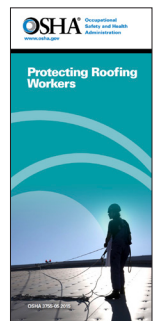
WARNING

5. ACCUTRAC EZ & RHINOTRAC EZ

- a) This tool is not intended for use by persons with reduced physical, sensory or mental capabilities, or lack of experience and knowledge, unless they have been given supervision or instruction concerning use of the tool by a person responsible for their safety.
- b) A separate manual about the use, operation, and limitations of the screw-gun component of the Accu-Tool has been provided by the screw gun manufacturer. Read all instructions and safety warnings in both manuals. Failure to follow the warnings and instructions may result in electric shock, fire and/or serious injury.

CAUTION

- In addition to the safety instructions in this manual, OMG Roofing Products recommends that all roof top workers follow the safety guidelines outlined in the OSHA booklet called "Protecting Roofing Workers" available at www.osha.gov/Publications/OSHA3755.pdf and or EU-OSHA "Directive 92/57/EEC - Temporary or mobile construction sites," as applicable.



INTENDED USE

AccuTrac EZ and RhinoTrac EZ tools are intended for installing OMG Roofing Products Fasteners and Insulation Plates or RhinoBond Plates on commercial roofing projects. Only fasteners and plates (i.e. washers) specified and provided by OMG Roofing Products are approved for use with these tools. Do not use these tools for any other purpose.

AccuTrac EZ and RhinoTrac EZ tools can injure people and damage property. Please be sure that you and all crew members read and understand the instructions in this manual (as well as those in the Owner's Manual for the screw-gun component) before attempting to use these tools. Failure to follow all instructions could result in property damage, serious injury, electric shock, or death.

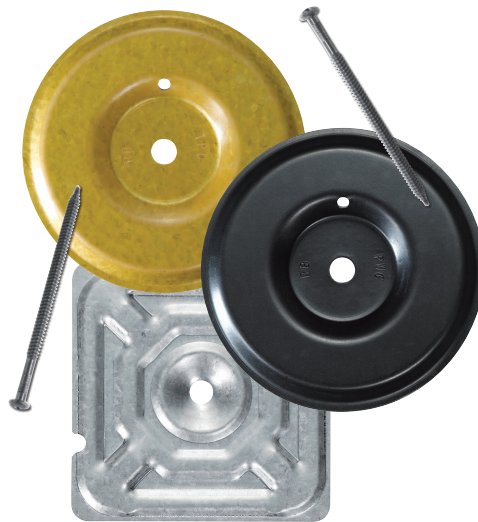
PLEASE NOTE: This manual deals only with the use and operation of the AccuTrac EZ and RhinoTrac EZ tool. For specific information about the use, operation, and limitations of the screw-gun component of the tool, refer to the separate Owner's Manual provided by the screw gun manufacturer, which has been included with the tool.

NOTICE

AccuTrac EZ and RhinoTrac EZ tools are designed for the exclusive use with fasteners and plates (washers) made by OMG Roofing Products. OMG Roofing Products is not responsible for damage to the tool and/or improper installation caused from using fasteners and/or plates other than those recommended in this manual.

AccuTrac EZ is designed for use with 3-inch square AccuTrac Insulation Plates, and approved fasteners manufactured by OMG Roofing Products.

RhinoTrac EZ is designed for use with specially coated, 3-inch round, RhinoBond Plates and approved fasteners manufactured by OMG Roofing Products.



FASTENER COMPATIBILITY

AccuTools are compatible with the following fasteners manufactured by OMG Roofing Products. Maximum fastener length is 8-inches.

- Standard #12 RoofGrip Fasteners
- Heavy Duty #14 Roofing Fasteners
- Extra Heavy Duty (XHD) #15 Fasteners

THE ACCUTRAC EZ SYSTEM

Newly-designed “can’t miss” wide mouth feeder tube that can help increase fastener loading speed!

Accommodates fasteners up to 8-inches in length.



Easy-to-use depth adjustment ring sets the precise depth for each fastener/plate to avoid over- and under-driving for a quality installation.

Highly visible orange “screw-in chamber” indicators alert users to avoid loading two screws at the same time.



Simplified and easy bit replacement process saves time.

Accomplish more projects with interchangeable boots for installing RhinoBond and AccuTrac Insulation Plates.



Redesigned plate shuttle links are easier to compress for all day comfort.



OPERATING INSTRUCTIONS

GENERAL

1. Use only with approved plates and fasteners manufactured by OMG Roofing Products. See page 5 for details.
2. At the beginning of each day, wipe down the tubes, screw indicator flags, and the bottom of the ejector plate. Lubricate the linkage and the Plate Shuttler, if needed, then unlatch the tool.
3. Load the plate holder with the proper plates.
4. Make sure the screw gun is in the FORWARD mode.
5. At the end of the day, remove any dust accumulation from the tubes and the bottom of the Plate Shuttler.
6. Lubricate all moving parts. Excess lubricant will evaporate overnight.
7. Re-latch the tool and store it in its case.

LOADING PLATES

1. Remove the plate weight from the plate holder.
2. Remove the pre-packaged plates from the box. **For AccuTrac EZ, align the notch in the plates with the projection on the back side of the plate holder.**
3. Drop the plates into the holder and return weight to the holder.

OPERATING THE TOOL

1. Fully compress the tool to allow a plate to be ejected from the stack and placed into proper position.
2. Drop one screw, point down, into the wide mouth funnel.
3. Lock the screw gun trigger in the ON position. Using the lock will keep the screw gun running cooler. Push the tool downward to drive the screw through the insulation until it contacts the deck. Continue to hold down on the tool until the plate is fully seated.
4. Allow the tool to retract to its original position. This motion causes the next plate to be ejected from the stack for placement.
5. Check the plate to make sure it is properly seated and adjust fastener depth if necessary.
6. Roll the tool to the next fastener/plate position on the roof and repeat the "tool use" instructions.

DEPTH ADJUSTMENT

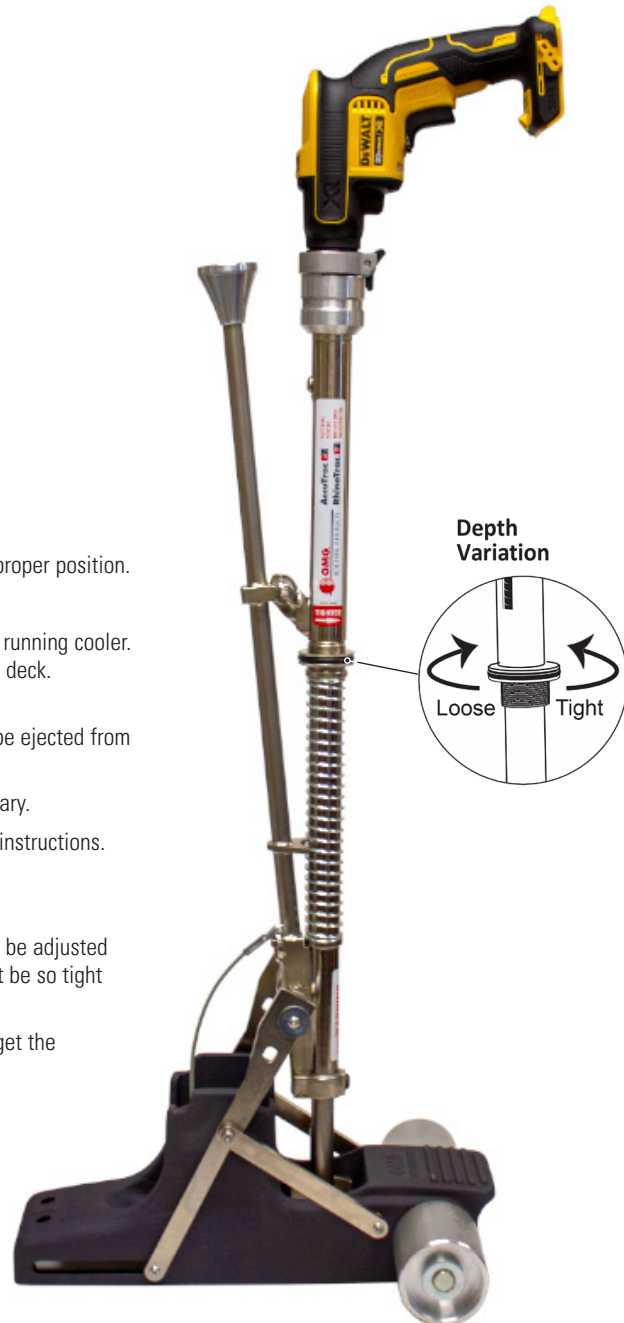
Overdriving can cause the screw to strip out the metal deck and not hold. The tool should be adjusted to make the plate snug so that it does not spin freely on the surface. The plate should not be so tight as to cause it to deform or to fracture the insulation.

To avoid overdriving, set the adjustment intentionally loose, and slowly tighten until you get the proper depth.

Adjustments are made using the large ring located on the upper body tube of the tool. **Moving the ring upwards towards the screw gun (i.e. counter-clockwise) will make the screw deeper (tighter).**

NOTICE

If you are unable to make the plate "snug" through adjusting the depth adjustment nut, make sure that the screw gun is in the forward position (not reverse).



PARTS REMOVAL AND REPLACEMENT

NOTICE

Always use OMG Roofing Products replacement parts.

FEED TUBE REMOVAL AND REPLACEMENT

1. Disconnect the upper link from the feed tube assembly by sliding the metal bushings inward and pushing the upper link forward to disengage. Repeat the process for the opposite upper link.
2. The tool can now be removed from the base by pulling up on the tool.
3. Once the tool is separated from the base, you can remove the feed tube from the upper tube by pulling on the spring-loaded retention pin and separating it from the bracket on the upper tube. The feed tube should now release from the tool.
4. To reinstall the feed tube, align the lower end so that the “ears” engage the notches of the lower tube.
5. Angle the feed tube towards the upper tube and reinstall the retention pin into the bracket.
6. Reattach the upper links by sliding the metal bushings inward and connecting the links.

CAUTION

The nose-piece is not to be removed!

1. The nose piece is under spring-loaded pressure. Attempting to remove the nose piece could cause personal injury. See warning sticker on tool!
2. Shuttle links are pinch points. Use caution when disconnecting them to avoid injury.
3. Contact 413.789.0252 to locate the nearest authorized OMG Roofing Products AccuTrac EZ Distributor and/or service center.

SCREW GUN REMOVAL AND REPLACEMENT

1. Loosen black three-arm knob (See page 12, part no EZ1283227) at the top of the shaft on the drill mount.
2. Rotate screw gun counter-clockwise until loose. Pull screw gun straight up and lift out of tool.
3. To reattach the screw gun, insert screw gun into drill mount, rotate clockwise until threads run out, and then rotate screw gun counter-clockwise until aligned in tool as desired. Tighten black three-arm knob to secure screw gun .

DRIVE SHAFT, BIT CAP, AND BIT

1. Remove the screw gun and drive shaft assembly as described above. DO NOT separate the screw gun from the drive shaft.
2. Carefully inspect the drive shaft, bit cap and bit assembly for excessive wear, cracks and/or damage of any kind. If either the shaft, bit cap or bit requires replacing, use assembly part number EZ1282038 (drive shaft assembly), EZ1283058 (Threaded bit cap) and EZ1283222 (Phillips bit SPD11).
3. When replacing a Phillips bit, align bit cap with wrench cut-out on the boot linkage, insert the bit cap all the way through the cut-out, put the screwgun in reverse, push on the driveshaft to engage the clutch and slowly push the trigger to unscrew the bit cap. Once the bit cap is loosened, simply pull the Phillips bit out. Alternatively, two wrenches can be used to loosen the bit cap.
4. Once the Phillips bit is replaced, put the bit cap back on and hand tighten. DO NOT use the wrench cut-out to tighten the bit cap. Two wrenches can also be used to tighten the bit cap.
5. Reinstall the screw gun and drive shaft assembly into the tool as described in the previous section. Return the screw gun to forward mode prior to driving screws.

PLATE SHUTTLE INSERT

NOTICE

This step does not apply to RhinoTrac EZ

1. If the Plate Shuttler knife (see page 14, part no EZ1282042) is worn and needs to be replaced, the Plate Shuttler assembly must first be removed from the tool.
2. Remove the two socket head cap screws that connect the Plate Shuttler to the drive bar. Withdraw the Plate Shuttler and take the assembly to a clean working surface.
3. The knife is fastened to the Plate Shuttler with two socket head cap screws. **The screws are secured with a retaining compound and they must be heated before they can be removed.** This is best completed with a small propane torch.

CAUTION

Use care to avoid personal injury.

4. Remove the two screws and the knife and replace with new knife.
5. **Coat the thread of the screws with retaining compound and securely tighten them. Allow 24 hours for the compound to cure.**
6. Insert the Plate Shuttler into the tool, align it with the drive bar, insert and securely tighten the two socket head cap screws to fasten the Plate Shuttler to the drive bar.

CLEARING FASTENER AND PLATE JAMS

1. Remove the feed tube (follow directions as described on Page 8 of this manual) to access the junction where most fastener jams occur. You should be able to clear the fastener(s) from the nose piece.
2. In some cases, it may be necessary to release the flags in the end of the nose piece to fully access the jam. The flags can be released by pinching the top of both flags together.
3. For clearing plate jams, first make sure the tool is completely retracted in its full upright position. This may require that you tug upwards on the tool. Most likely, a plate will shuttle into the proper place.
4. If the plate remains jammed, remove the stack of plates from the holder. First, attempt to cycle the Plate Shuttler by quickly compressing the tool downward. The jammed plate should dislodge. If it does not, you will need to remove the plate manually as it is most likely stuck underneath the gate. This may require a pair of pliers. Take care not to damage the Plate Shuttler or gate mechanism.
5. Once the jammed plate is removed, reinstall the plates in the plate holder.

CLEANING PROCEDURE

1. The linkages, Plate Shuttler and housing should be cleaned weekly with a commercial solvent.
2. Special attention should be paid to the linkage connections and the groove in the casting (black base) that holds the Plate Shuttler. Be sure these grooves are free of burrs, asphalt, and dirt.
3. Once clean, re-lubricate the Plate Shuttler track with Tri-Flow or a Teflon-based lubricant.
4. The gate should also be checked periodically to ensure it is not sticking. If it is, clean with a degreaser and relubricate.

WARRANTY AND REMEDY

ALL WARRANTIES OF THE PRODUCTS DESCRIBED HEREIN, EXPRESS OR IMPLIED, INCLUDING THE WARRANTIES OF MERCHANTABILITY AND FITNESS FOR PARTICULAR PURPOSES ARE SPECIFICALLY EXCLUDED, EXCEPT FOR THE FOLLOWING: OMG Roofing Products will repair or replace, at its sole option, any tool part which within 90 days after sale by OMG Roofing Products or its distributors, is found by OMG Roofing Products to be defective in material or workmanship, normal wear and tear excluded.

THIS IS THE SOLE WARRANTY OF OMG ROOFING PRODUCTS AND THE SOLE REMEDY AVAILABLE TO DISTRIBUTOR OR BUYER.

TROUBLESHOOTING PROBLEMS

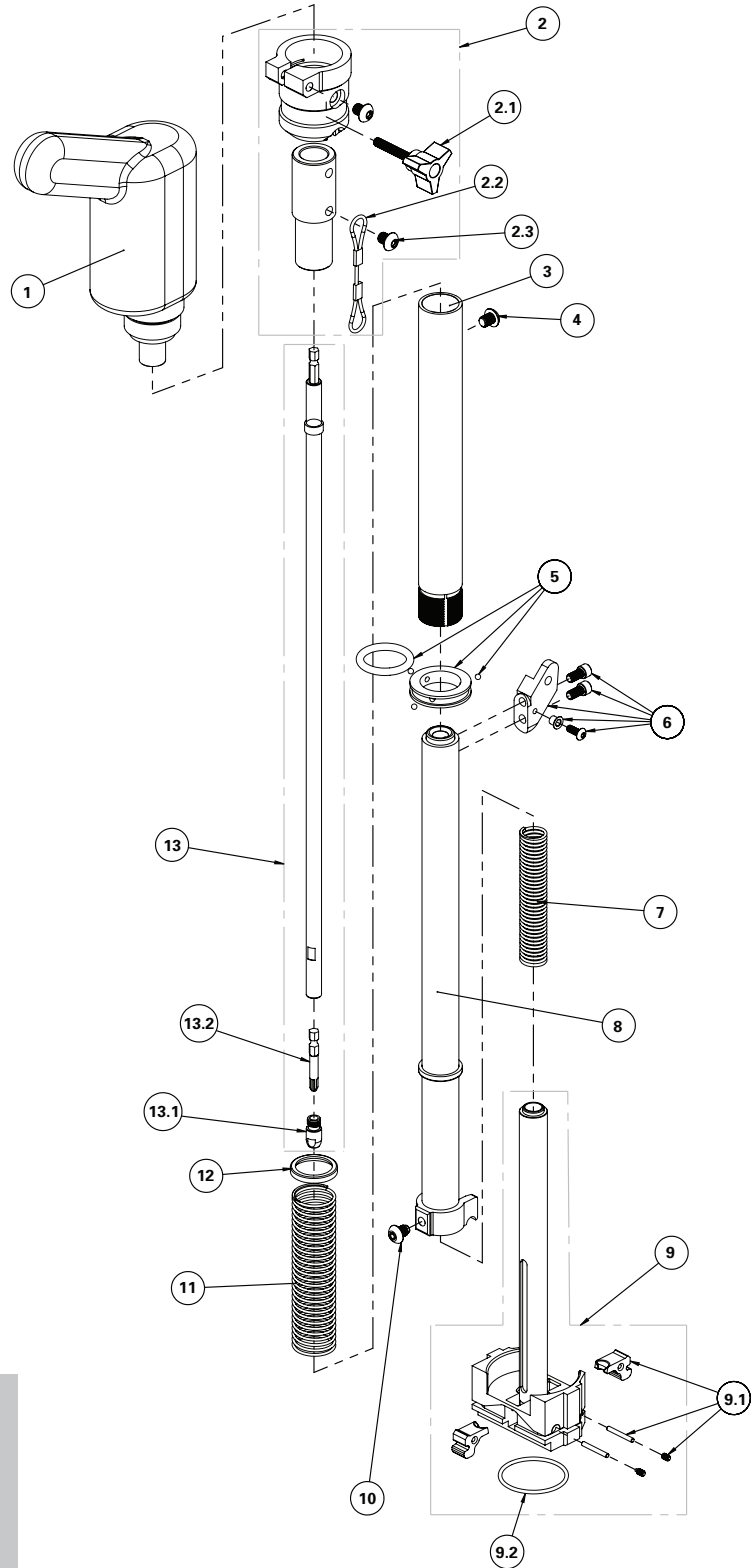
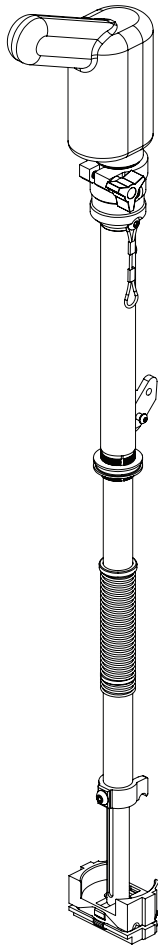
PROBLEM: PLATES NOT FEEDING SMOOTHLY OR COMPLETELY	
POTENTIAL CAUSE	REMEDY
Last plate in the holder jams in the gate.	It is recommended that the plate holder be refilled when approximately 10 plates are left.
Dirty Plate Shuttler and/or guides.	Clean the Plate Shuttler and/or guides with degreaser.
Gate is sticking.	Clean the gate with a degreaser.
Plate Shuttler screws are loose.	Remove the screws, clean the screws and threaded holes. Apply Loctite 242 and reinstall screws.
Plate Shuttler insert screws are loose.	Remove the screws, clean the screws and threaded holes. Apply Loctite 242 and reinstall screws.
Plate Shuttler insert undercut is clogged.	Clean out the undercut.
Nose-piece is bent.	Call 1.413.789.0252 for service. Do not attempt to remove nose-piece.
Plate stop screws are loose.	Remove the screws, clean the screws and threaded holes. Apply Loctite 242 and reinstall screws.
PROBLEM: MISSING OR SKIPPED PLATES	
Plate is bent or previously used.	Disconnect upper links from the feed tube and slide Plate Shuttler forward. Remove suspect plate(s). Reconnect upper links and continue.
Plate Shuttler insert disc(s) is/are missing.	Replace missing insert.
Incorrect plates are being used.	Use only OMG Roofing Products AccuTrac plates with AccuTrac EZ tool, or RhinoBond Plates with RhinoTrac EZ tool.
Plate Shuttler insert disc undercuts are dirty/clogged.	Clean out undercuts.
PROBLEM: SCREWS NOT FEEDING OR INSTALLING PROPERLY	
Wrong bit installed.	Use only approved driver bits. OMG part #SPDII. Also provided in every bucket of OMG manufactured fasteners.
Obstructed feed tube.	Clean or replace the feed tube.
Two screws jammed in feed tube or nose-piece.	Remove feed tube and dislodge screws.
Screws are too long.	Screws must not exceed 8-inches in length.

TROUBLESHOOTING PROBLEMS

PROBLEM: DRIVE SHAFT IS BROKEN	
POTENTIAL CAUSE	REMEDY
Drive shaft is broken.	Replace drive shaft.
PROBLEM: PLATE NOT SEATING TIGHTLY	
Improper depth adjustment.	Tighten the depth adjustment.
Screw gun is in reverse.	Make sure switch is in forward position.
Incorrect drive bit, or worn/ broken bit.	Check to make sure correct drive bit is installed. Replace worn or broken drive bits.
Screw gun not properly installed or fully tightened.	Check screw gun; tighten if necessary.
Excessive build-up of material on wheels/casting.	Remove built-up material.
Obstruction in tubes and/or casting.	Check upper and lower tubes and casting, remove any obstructions.
PROBLEM: TOOL WILL NOT RETRACT INTO FULL UPWARD POSITION	
Operator is not allowing tool to fully retract.	Downward pressure on tool must be fully released after the plate has been fastened. Tool should “spring” up into correct position. If necessary, tug upwards.
Plate Shuttler or tubes are dirty.	Clean and oil Plate Shuttler and tubes.
Nose-piece is bent or damaged.	Call 1.413.789.0252 for service. Do not attempt to remove nose-piece.
Fastener wedged between feed tube and nose-piece.	Remove feed tube and clear fastener jam.
PROBLEM: TOOL IS SLUGGISH	
Plate Shuttler needs lubricating.	Lubricate the Plate Shuttler.
Dirty upper and lower tubes, Plate Shuttler, guides and drive bar slots.	Remove debris. Clean all parts with a degreaser and lubricate.
Upper and/or lower tubes are bent or damaged.	Replace worn or damaged tubes as needed.
Nose-piece retaining screw is worn or the nose-piece is damaged.	Call 1. 413.789.0252 for service. Do not attempt to remove nose-piece.
PROBLEM: FASTENER EXTENDS OUT OF THE DRIVE SHAFT AND JAMS THE TOOL	
Short fasteners rotate easier than long fasteners through the tube to the nose-piece and sometimes extend through the opening.	Tilt the AccuTrac EZ / RhinoTrac EZ tool back when feeding the fasteners down the feeder tube.
If you have followed the recommendations above, but the problems persist, please call the OMG Roofing Products Technical Services Department at 1.413.789.0252.	

PARTS BREAKDOWN

UPPER ASSEMBLY



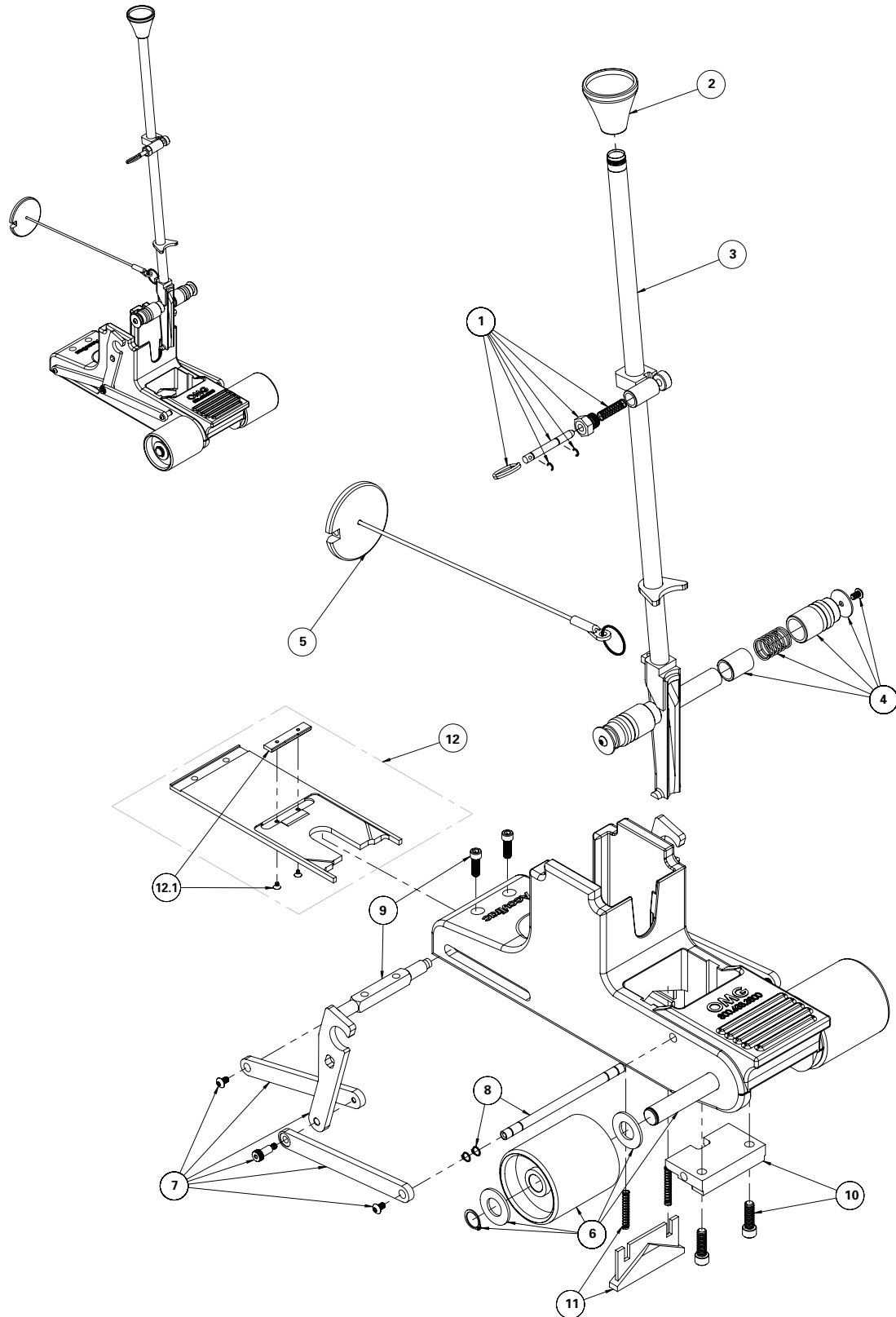
WARNING

All parts must be inspected periodically and replaced if worn or broken. Failure to do this can affect a product's operation and cause personal injury.



Item No.	SKU	Description	Notes
1		DeWalt DCF624B Gun only	Replacement Drill NOT Available from OMG
2	EZ1282050	DeWalt DCF624B Drill Mount ATRT	
2.1	EZ1283227	Three Arm Knob ATRT	Included in Item No. 2
2.2	EZ1283010	Latch Cable ATRT	Included in Item No. 2
2.3	EZ1283008	BHCS 516_24x375 ATRT	Included in Item No. 2
3	EZ1283001	Upper Tube ATRT	DeWalt DCF624B
4	EZ1283008	BHCS 516_24x375 ATRT	
5	EZ1282001	Depth Adjustment Assy ATRT	Includes One Steel Ring, Three Ball Bearings, & One O-Ring
6	EZ1282005	Feed Tube Release Assembly ATRT	Includes One Connector & Necessary Components
7	EZ1283027	Inner Spring ATRT	
8	EZ1282003	Lower Tube Weldment ATRT	
9	EZ1282004	Stalk End Assembly ATRT	Includes Stalk End & Item No. 9.1 & 9.2
9.1	EZ1282036	Screw Indicator SKU Assembly ATRT	Included in Item No. 9. Includes a Pair of Flags & Necessary Component:
9.2	EZ1283037	O-Ring-133 ATRT	Included in Item No. 9
10	EZ1283029	Lower Tube End Retaining Pin ATRT	
11	EZ1283028	Outer Spring ATRT	
12	EZ1283026	Upper Spring End ATRT	
13	EZ1282011	Drive Shaft Assembly EZ ATRT	Includes Drive Shaft & Item No. 13.1 & 13.2
13.1	EZ1283058	Threaded Bit Cap ATRT	Included in Item No. 13
13.2	SPD11	Drive Bit	Included in Item No. 13
Any component or assembly listed above can be ordered from OMG.			
Smaller components, that are not called out on the drawing, will need to be ordered as part of the higher-level assembly.			

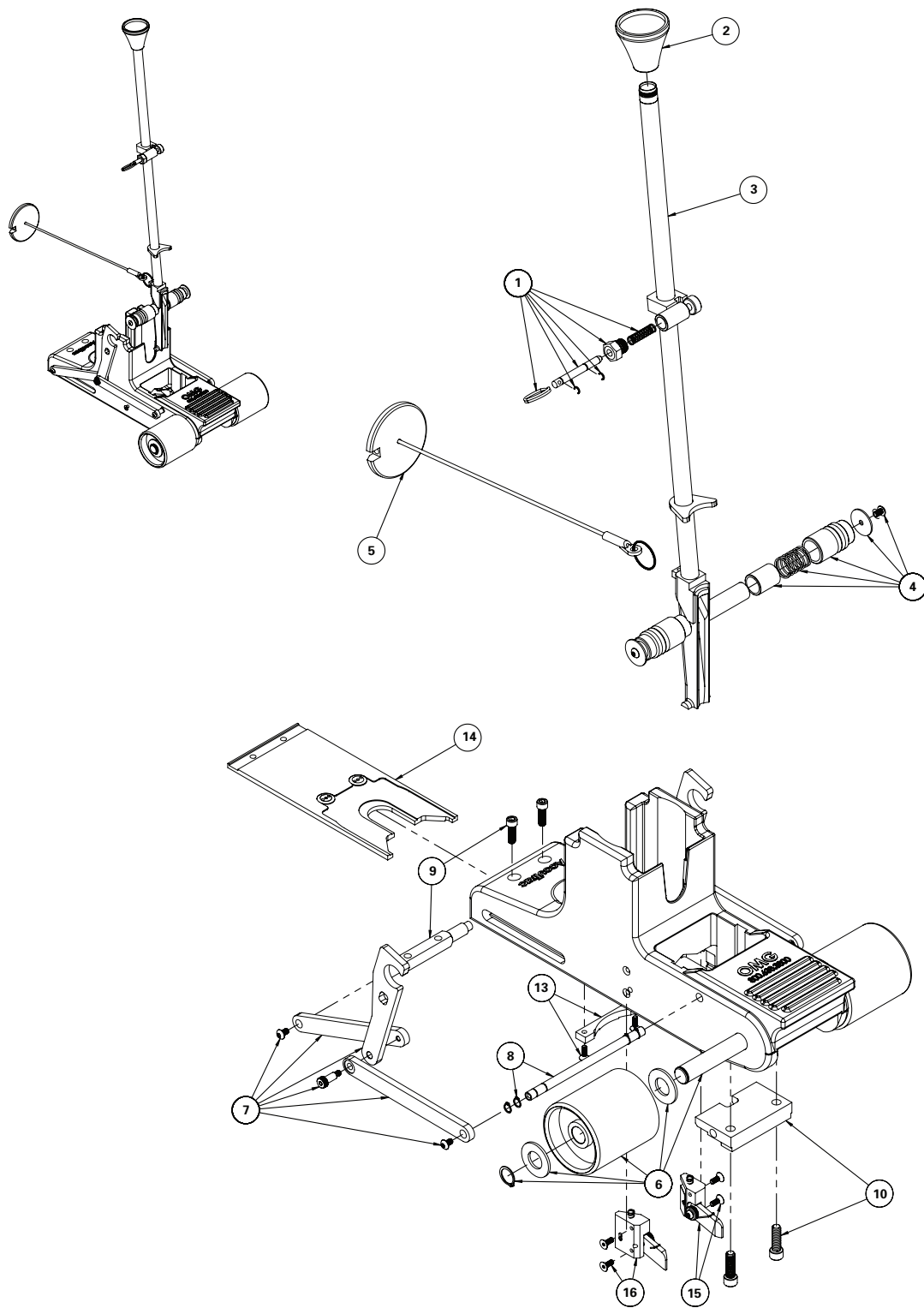
PARTS BREAKDOWN - LOWER ASSEMBLY





Item No.	SKU	Description	Notes
1	EZ1282026	Pull Pin and Spring Assembly ATRT	
2	EZ1283062	Feed Funnel ATRT	
3	EZ1282007	Feed Tube Weldment ATRT	
4	EZ1282037	Link Latch SKU Assembly ATRT	Includes a Pair of Latches & Necessary Components
5	EZ1282034	Plate Weight Assembly ATRT	
6	EZ1282025	Wheel and Axle Assembly ATRT	Includes a Pair of Wheels & Necessary Components
7	EZ1282039	Drive Link SKU Assembly ATRT	Includes a Pair of Linkages & Necessary Components
8	EZ1282040	Link Pivot Rod SKU Assembly ATRT	Includes One Rod & 4 Retaining Rings
9	EZ1282041	Shuttle Drive Bar SKU Assembly ATRT	Includes One Drive Bar & Two Bolts
10	EZ1282043	Plate Stop SKU Assembly ATRT	Includes One Plate Stop & Two Bolts
11	EZ1282044	Plate Gate SKU Assembly AT	Includes One Gate & Two Springs
12	EZ1282013	Plate Shuttler Assembly AT	Includes Plate Shuttler & Item No. 12.1
12.1	EZ1282042	Plate Shuttler Knife SKU Assembly AT	Included in Item No. 12. Includes Plate Knife & Two Screws
Any component or assembly listed above can be ordered from OMG.			
Smaller components, that are not called out on the drawing, will need to be ordered as part of the higher-level assembly.			

PARTS BREAKDOWN - LOWER ASSEMBLY





Item No.	SKU	Description	Notes
1	EZ1282026	Pull Pin and Spring Assembly ATRT	
2	EZ1283062	Feed Funnel ATRT	
3	EZ1282007	Feed Tube Weldment ATRT	
4	EZ1282037	Link Latch SKU Assembly ATRT	Includes a Pair of Latches & Necessary Components
5	EZ1282034	Plate Weight Assembly ATRT	
6	EZ1282025	Wheel and Axle Assembly ATRT	Includes a Pair of Wheels & Necessary Components
7	EZ1282039	Drive Link SKU Assembly ATRT	Includes a Pair of Linkages & Necessary Components
8	EZ1282040	Link Pivot Rod SKU Assembly ATRT	Includes One Rod & 4 Retaining Rings
9	EZ1282041	Shuttle Drive Bar SKU Assembly ATRT	Includes One Drive Bar & Two Bolts
10	EZ1282043	Plate Stop SKU Assembly ATRT	Includes One Plate Stop & Two Bolts
13	EZ1282049	Forward Plate Stop SKU Assembly RT	Includes One Plate Stop & Two Screws
14	EZ1282023	Plate Shuttler Assembly RT	
15	EZ1282022	Right Gate Assembly RT	Includes One Gate & Two Screws
16	EZ1282021	Left Gate Assembly RT	Includes One Gate & Two Screws
Any component or assembly listed above can be ordered from OMG.			
Smaller components, that are not called out on the drawing, will need to be ordered as part of the higher-level assembly.			

WARRANTY AND REMEDY

ALL WARRANTIES OF THE PRODUCTS DESCRIBED HEREIN, EXPRESS OR IMPLIED, INCLUDING THE WARRANTIES OF MERCHANTABILITY AND FITNESS FOR PARTICULAR PURPOSES ARE SPECIFICALLY EXCLUDED, EXCEPT FOR THE FOLLOWING: OMG Roofing Products will repair or replace, at its sole option, any tool part which within 90 days after sale by OMG Roofing Products or its distributors, is found by OMG Roofing Products to be defective in material or workmanship, normal wear and tear excluded.

THIS IS THE SOLE WARRANTY OF OMG ROOFING PRODUCTS AND THE SOLE REMEDY AVAILABLE TO DISTRIBUTOR OR BUYER.



ROOFING PRODUCTS

OMG Roofing Products
153 Bowles Road, Agawam, MA 01001 USA
800-633-3800 413-789-0252
www.omgroofing.com.com