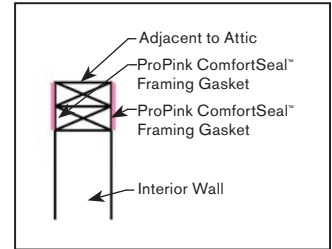


Interior Top Plate

1. Locate interior walls that adjoin unconditioned space above top plates. (Example: Interior wall top plates adjoining attic above.) (See Fig. 1)
2. Position ProPink ComfortSeal™ Framing Gasket with ribbed surface facing outward.
3. Staple ProPink ComfortSeal™ Framing Gasket to both sides of interior wall top plates.

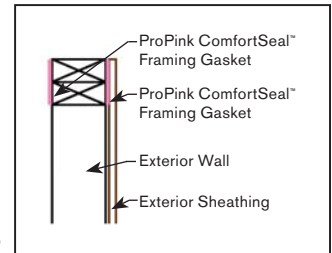
Fig. 1



Interior Sill Plate

1. Smooth top surface of foundation wall to have minimal variation.
2. Unroll ProPink ComfortSeal™ Sill Gasket on top surface of foundation wall with ridged side toward roughest surface.
3. Pierce ProPink ComfortSeal™ Sill Gasket at anchor bolt locations.
4. Overlap all end and perpendicular joints.
5. Set and anchor sill plate to foundation wall.

Fig. 2



Exterior Top Plate

1. Position ProPink ComfortSeal™ Framing Gasket with ribbed surface facing outward on both sides of all exterior wall top plates.
2. Staple Framing Gasket to both sides of exterior wall top plates.

Exterior Base Plate

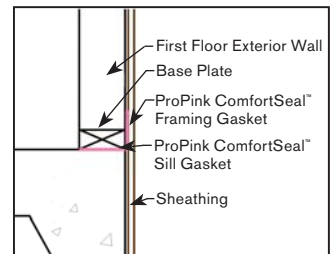
A. Exterior Base Plate

1. Position ProPink ComfortSeal™ Framing Gasket with ribbed surface facing outward along one side of all exterior base plates.
2. Staple Framing Gasket to exterior side of base plate.

B. Under Base Plate (between base plate and subfloor or slab) (See Fig. 3)

1. Position ProPink ComfortSeal™ Sill Gasket under wall base plates.
2. Staple to subfloor or base plate along center line.
3. Trim any excess ProPink ComfortSeal™ Sill Gasket from base plate edges.

Fig. 3



Exterior Basement/Crawl Space Wall and 1st Floor Connection

Option 1: Rim/band joist locations (See Fig. 4)

As the first floor assembly is being constructed, position ProPink ComfortSeal™ Gasketing at the following locations -

1. On top of foundation wall before sill plate is set (Sill Gasket)
2. On top of sill plate before rim/band joists are set (Framing Gasket)
3. On top of rim/band joists before floor decking is set (Sill Gasket)
4. On top of floor decking before base plates are set (Framing Gasket)

During construction of the floor assembly, staple ProPink ComfortSeal™ Framing Gasket to the surface on which it is placed. For the foundation wall - sill plate juncture, press ProPink ComfortSeal™ Framing Gasket down over the sill plate anchor bolts.

Option 2: Exterior side of rim/band joist locations (See Fig. 5)

1. Assure floor adhesive is applied between top of rim/band joist and subfloor substrate.
2. Position ProPink ComfortSeal™ Sill Gasket with ribbed surface facing outward where top and bottom seams of rim/band joist are located.
3. Staple ProPink ComfortSeal™ Sill Gasket prior to exterior sheathing (OSB) installation.

Fig. 4

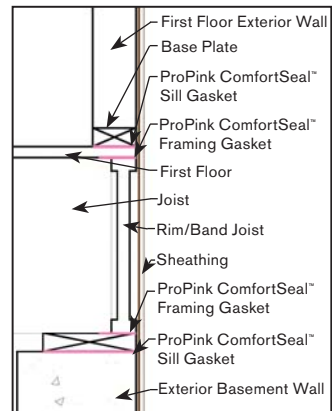
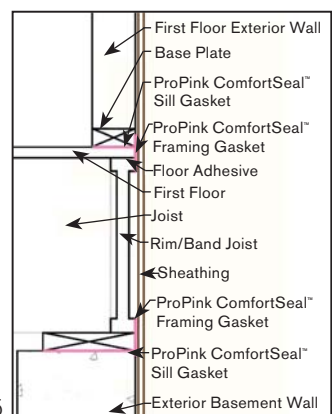


Fig. 5



Option 3: Combination of exterior surface application and rim/band joist juncture (See Fig. 6)

1. Assure floor adhesive is applied between top of rim/band joist and subfloor substrate.
2. Position ProPink ComfortSeal™ Framing Gasket with ribbed surface facing outward, over exterior surface of top most seam of rim/band joist covering both the rim/band joist to subfloor joint and the subfloor to base plate joint.
3. Staple ProPink ComfortSeal™ Framing Gasket prior to exterior sheathing (OSB) installation.

Exterior 1st and 2nd Floor Connection

Option 1: ProPink ComfortSeal™ Framing Gasket between rim/band joist and top plates (See Fig. 7)

A. Rim/Band Joist Joint Installation

1. Position ProPink ComfortSeal™ Framing Gasket where rim/band joists will be located at both top and bottom joint locations before rim/band joists are installed.
2. Staple ProPink ComfortSeal™ Framing Gasket between the base of the rim/band joist and base substrate and between the top of the rim/band joists.
3. When installing rim/band joist assure ProPink ComfortSeal™ Framing Gasket is between both the top and bottom joist locations as a gasket between adjacent framing plates (bottom) or subfloor substrates (top).

B. Top Plate Installation

1. Position ProPink ComfortSeal™ Framing Gasket with ribbed surface facing outward on both sides of all exterior wall top plates.
2. Staple to both sides of exterior wall top plates.

Option 2: Exterior rim/joist seam installation (See Fig. 8)

A. Exterior Rim Joist Installation

1. Assure floor adhesive is applied between top of rim/band joist and subfloor substrate.
2. Position ProPink ComfortSeal™ Framing Gasket with ribbed surface facing outward where top and bottom seams of rim/band joist are located.
3. Staple ProPink ComfortSeal™ Framing Gasket prior to exterior sheathing (OSB) installation.

B. Top Plate Installation

1. Position ProPink ComfortSeal™ Framing Gasket with ribbed surface facing outward on both sides of all exterior wall top plates.
2. Staple Framing Gasket to both sides of exterior wall top plates.

Note: Staple ProPink ComfortSeal™ Gasketing no greater than 3" on center unless otherwise specified.

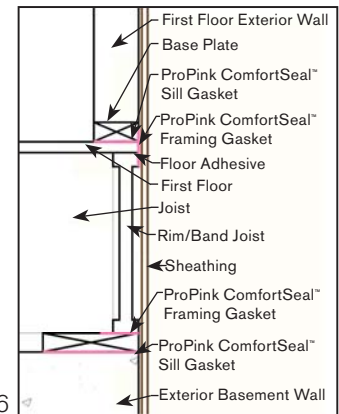


Fig. 6

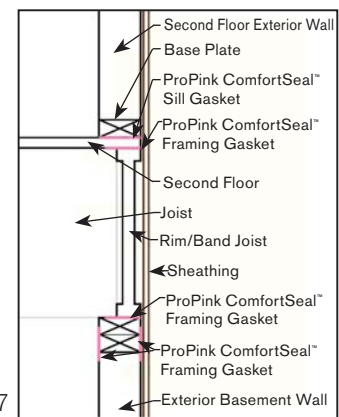


Fig. 7

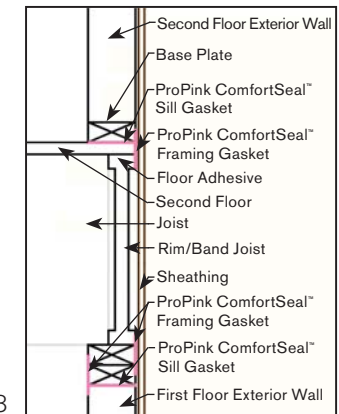


Fig. 8