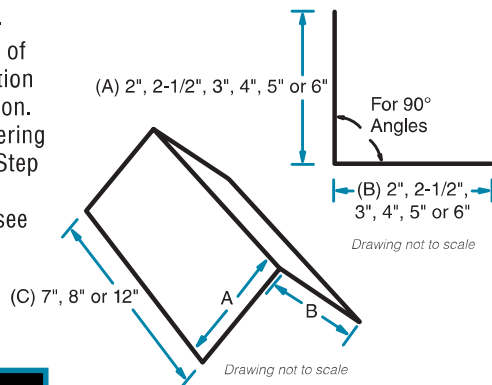


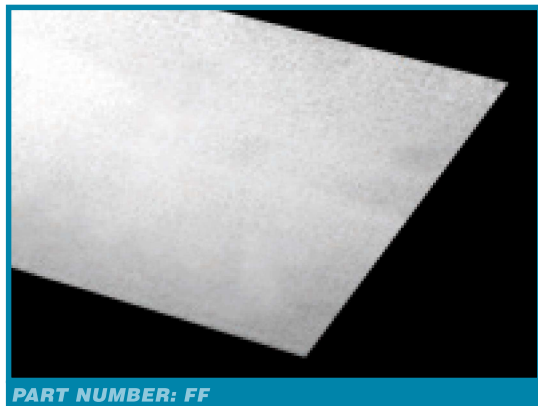


STEP FLASHING (PRE-BENT FLASHING SHINGLE)

Phillips EDGEmaster® Step Flashing (Pre-Bent Flashing Shingle) is used on the side of a shingle when it meets a vertical termination such as a wall, chimney or other termination. The product helps prevent water from entering between the shingle and the termination. Step Flashing is pre-bent for easy installation. Available in a variety of sizes and colors (see color guide). Packaging is 10 pieces per bundle and 100 per carton.



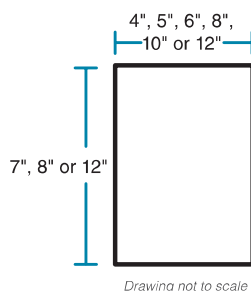
PART NUMBER: SF



PART NUMBER: FF

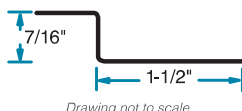
FLAT FLASHING SHINGLES

Phillips EDGEmaster® Flat Flashing Shingles are utility roofing metal products used in a variety of flashing applications. This product can be bent on the job to fit custom or fill in flashing requirements. Flat Flashing Shingles are available in a variety of sizes and colors (see color guide). Packaging is 10 pieces per bundle.

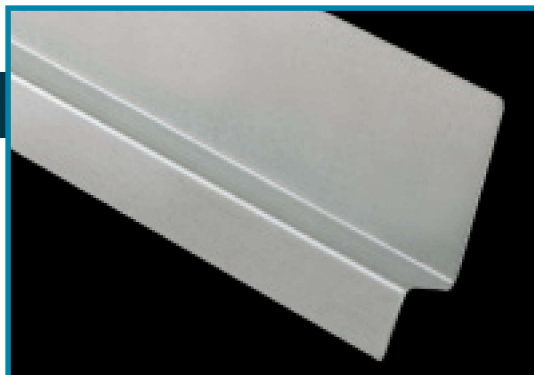


Z-FLASHING

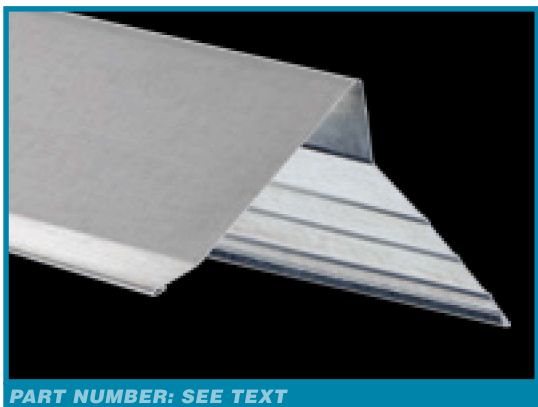
Phillips EDGEmaster® Z-Flashing is commonly used for preventing water penetration behind exterior siding and other residential applications. Available in a variety of colors (see color guide). Phillips offers this product in 7/16" and a variety of other sizes; ask your sales representative for details on sizes offered. Packaging is 10 pieces per bundle.



7/16" shown; other sizes available



PART NUMBER: ZF



PART NUMBER: SEE TEXT

GRAVEL STOP

Phillips EDGEmaster® Gravel Stop is designed for commercial applications to seal the roof and prevent gravel and roof tar from washing over the roof line. It is manufactured in 10' lengths that provide fewer joints and seams with fewer pieces. This product is available in 2-1/2" x 3-1/2" (GS25X35), 3" x 4" (GS30X40) and 5" x 4" (GS50X40) and comes in a variety of colors (see color guide). Packaging is 10 pieces per bundle.

