



- ▶ Optimum long-term fix for loose joints in heavy traffic areas
- ▶ More effective than joint fillers or sub-slab injection
- ▶ Less costly than retrofit doweling full-joint replacement

# JOINT STABILIZER

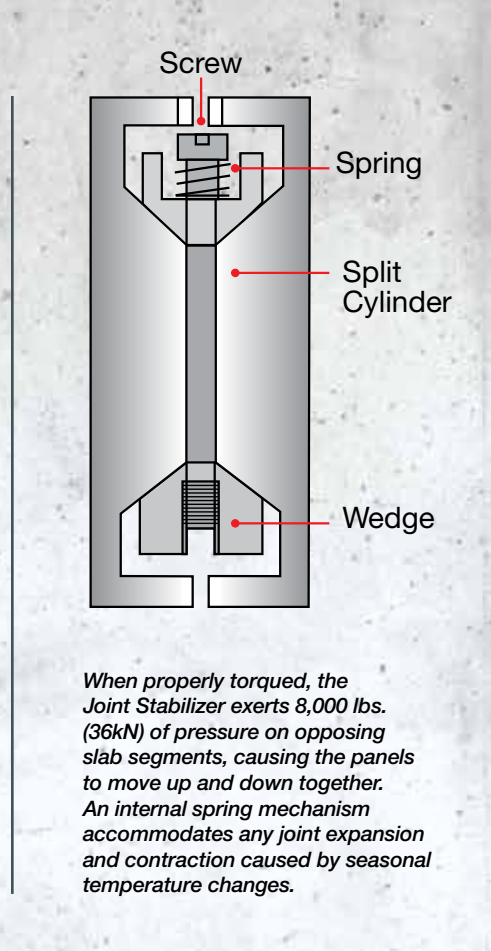




**Don't let joint deflection and spalling hurt your material handling operations.**

**The PNA Joint Stabilizer optimizes operational productivity and profitability in warehouses and industrial facilities.**

Joint Stabilizers offer a fast, cost-effective and permanent solution to rocking joints and cracks in indoor concrete slabs on ground. This uncontrolled movement can cause untold damage to material handling equipment and, if left unfixed, often results in concrete spalling and expensive floor repairs. Rocking joints can also have a significant negative impact on operational efficiency and driver safety, while raising the risk of product damage.



*When properly torqued, the Joint Stabilizer exerts 8,000 lbs. (36kN) of pressure on opposing slab segments, causing the panels to move up and down together. An internal spring mechanism accommodates any joint expansion and contraction caused by seasonal temperature changes.*



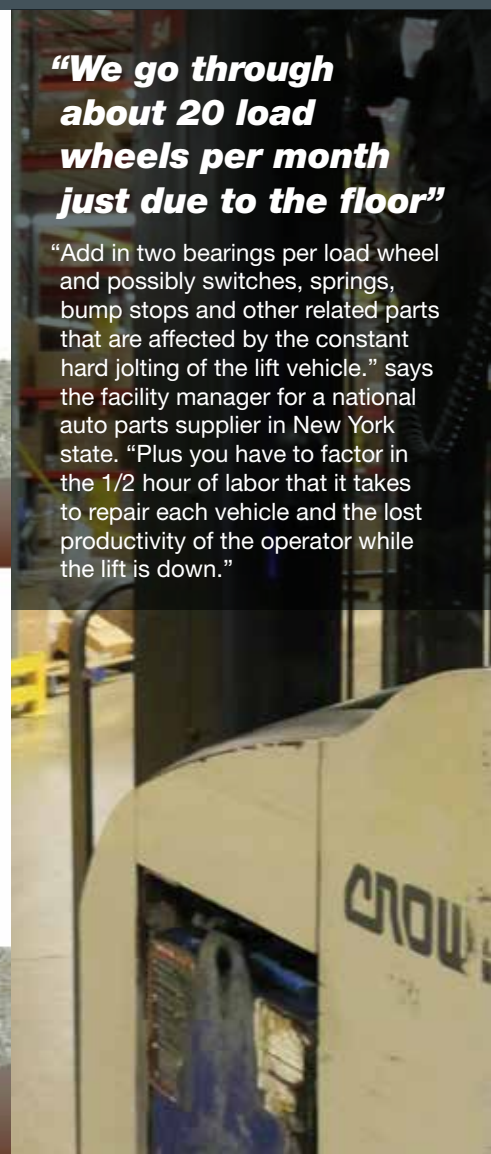
**BEFORE**

Excessive shrinkage and/or curling can cause load transfer problems, leading to spalled joints and cracks that slow down your entire operation.



**AFTER**

The Joint Stabilizer eliminates damaging deflection and restores smooth, positive load transfer across joints and cracks up to 1/2" in thickness.



***"We go through about 20 load wheels per month just due to the floor"***

*"Add in two bearings per load wheel and possibly switches, springs, bump stops and other related parts that are affected by the constant hard jolting of the lift vehicle." says the facility manager for a national auto parts supplier in New York state. "Plus you have to factor in the 1/2 hour of labor that it takes to repair each vehicle and the lost productivity of the operator while the lift is down."*



## BENEFITS

***The Joint Stabilizer offers a permanent fix to common joint problems with virtually no disruption to operations during installation.***

### Service Benefits

- ▶ *Increases operational efficiency and productivity*
- ▶ *Extends floor life while minimizing maintenance costs*
- ▶ *Minimizes material handling equipment damage and downtime*
- ▶ *Reduces the risk of accidents and injuries*
- ▶ *Minimizes the risk of product damage*

### Installation Benefits

- ▶ *Each device can be installed in as little as 10-15 minutes*
- ▶ *Less mess and cleanup compared to sub-slab injection*
- ▶ *Floor can be returned to service immediately after installation*
- ▶ *Proven effective long-term, even under heavy traffic conditions*
- ▶ *Works even when under-slab voids and sub-base issues remain*

***Although repairing larger areas at one time will usually be more economical, owners can also elect to repair smaller sections in stages, either to validate the effectiveness of the system or to spread costs out over time.***



**DRILL**

## INSTALLATION

***Core drill and clean hole***



**INSERT**

***Insert Joint Stabilizer cylinder***



**TIGHTEN**

***Tighten to 85 ft-lbs (115N-m)***

<b>Comparison Chart</b>	<b>PNA Joint Stabilizer</b>	<b>Semi-rigid joint filler</b>	<b>Sub-slab injection</b>	<b>Retrofit doweling</b>	<b>Full depth joint replacement</b>
Cost effective	X	X	X		
Fast, easy installation (less downtime)	X	X			
Withstands long-term heavy traffic	X			X	X
Suitable for use in cracked concrete	X				X
Suitable for use in poor sub-base and soil conditions	X	X		X	X
Suitable for use in curled slabs	X	X		X	X
Accommodates concrete shrinkage from temperature changes	X		X	X	X
Suitable for use in cold storage facilities	X				

Select the appropriate size so that the length of the cylinder is at least 1" (25 mm) less than the slab thickness. The JS7 cylinder can be used on floors up to 12 inches (305mm) thick.

<b>Part No.</b>	<b>Length</b>	<b>Diameter</b>
<b>JS5</b>	5"	3"
<b>JS6</b>	6"	3"
<b>JS7</b>	7"	3"



Joint Stabilizers are sold and installed by a network of certified contractors. Contact PNA for more information (800) 542-0214.

US Patent Number: 7,334,963 B2  
Canadian Patent Number: 2630204

# JOINT STABILIZER

