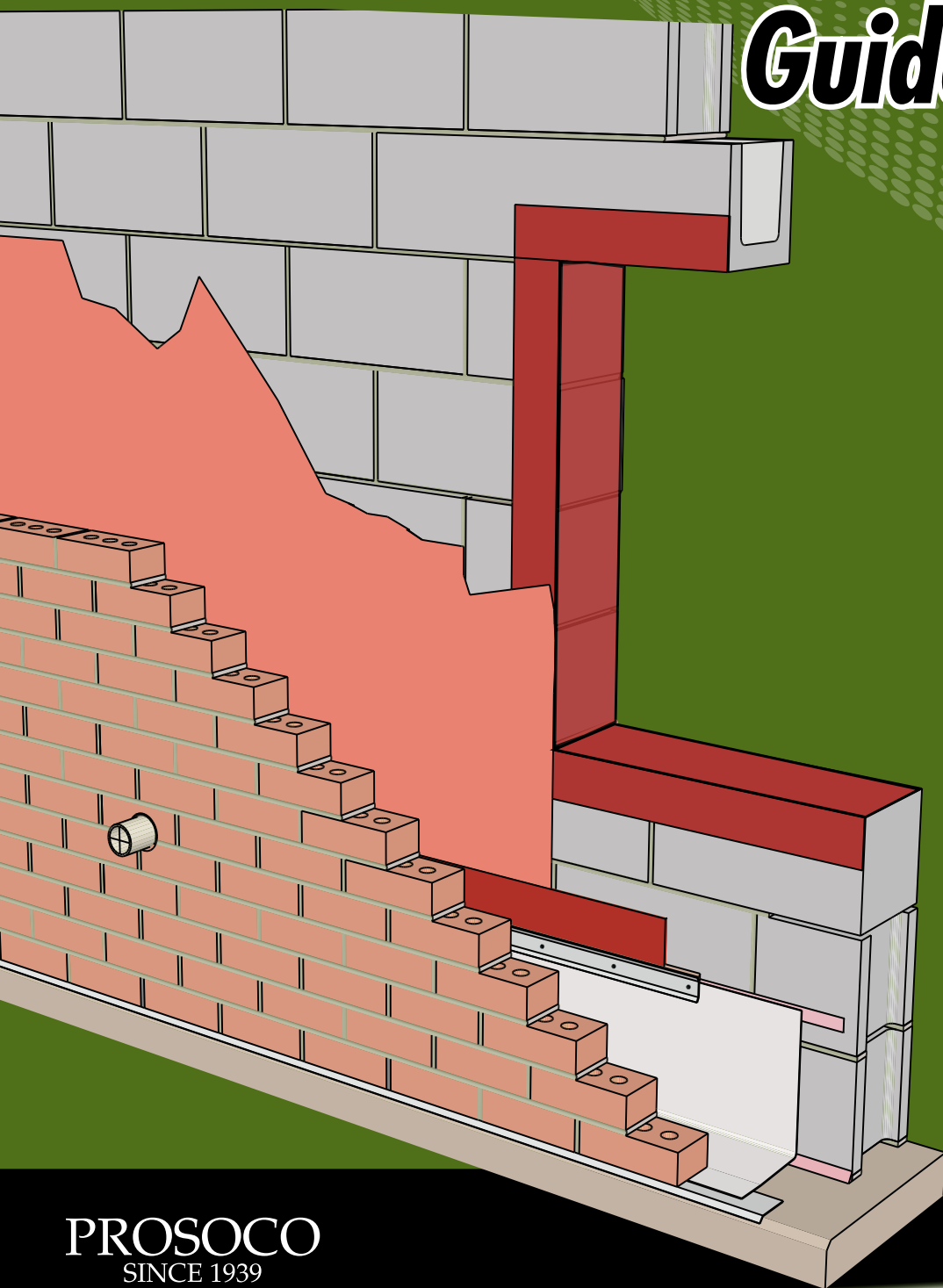




P R O S O C O
R•GUARD®

Air and Water-Resistive / Waterproofing Barrier Systems

Installation Guidelines



PROSOCO
SINCE 1939



P R O S O C O
ROGUARD[®]

Air and Water-Resistive/Waterproofing Barrier Systems

Step 1 Prepare

Table of Contents

- Reinforce and bridge Sheathing joint with Joint Fabric4
- Fill and bridge sheathing joint with Joint & Seam Filler.....5
- Inside/Outside Wall Corners using Joint & Seam Filler and Cat 5, Spray Wrap, MVP or VB.....6
- Reinforce and bridge rough opening preparation Joint Fabric and EZCorners.....7
- Fill and bridge rough opening preparation Joint & Seam Filler8
- Fill, bridge and flash rough opening preparation Joint & Seam Filler & FastFlash9
- CMU rough opening preparation with Joint & Seam Filler and FastFlash.....10
- Through-wall penetrations Joint & Seam Filler11

Step 2 Protect

- Sheathing joint prepared with Joint Fabric, Spray Wrap, MVP or VB 12
- Sheathing joint prepared with Joint & Seam Filler, Spray Wrap, MVP, VB or Cat 5..... 13
- Rough Opening prepared with Joint & Seam Filler, Spray Wrap, MVP or VB..... 14
- Rough Opening prepared with Joint & Seam Filler/FastFlash, Spray Wrap, MVP, VB or Cat 5..... 15
- CMU Rough opening not previously treated..... 16
- CMU Rough opening prepared with Joint & Seam Filler/FastFlash.....17
- Through-Wall Penetrations Joint & Seam Filler and Spray Wrap, MVP, VB or Cat 5..... 18

Step 3 Transition

- Parapet Termination using Joint & Seam Filler and FastFlash.....20
- CMU Control Joint with Transition Membrane and Spray Wrap, MVP, VB or Cat 5.....21
- Window Installation using AirDam22
- Metal flashing Treatment using Joint Fabric23
- Metal flashing Treatment using Joint & Seam Filler and FastFlash24
- Brick Anchor Attachment.....25
- Termination at grade - Sheathing with Joint Fabric26
- Termination at grade - Sheathing with Joint & Seam Filler and FastFlash.....27
- StuccoPrime to receive stucco scratch coat.....28
- Rough Opening with Wood Buck Installation using Joint & Seam Filler, FastFlash, & Cat 5.....29
- Through-Wall Flashing on CMU 30
- Through-Wall Flashing on Sheathing.....31
- Through-Wall Flashing on Spandrel Construction 32

Step 1



P R O S O C O
R • GUARD®

Air and Water-Resistive/Waterproofing Barrier Systems

New Construction

To make a claim on PROSOCO's R-GUARD warranties, you must meet all terms and conditions of the warranty, including use of the applicable R-GUARD Installation Guidelines. If a specific installation detail or technique is not covered, then the general principles outlined in the R-GUARD Installation Guidelines must have been followed. Contact PROSOCO with any questions regarding installation.

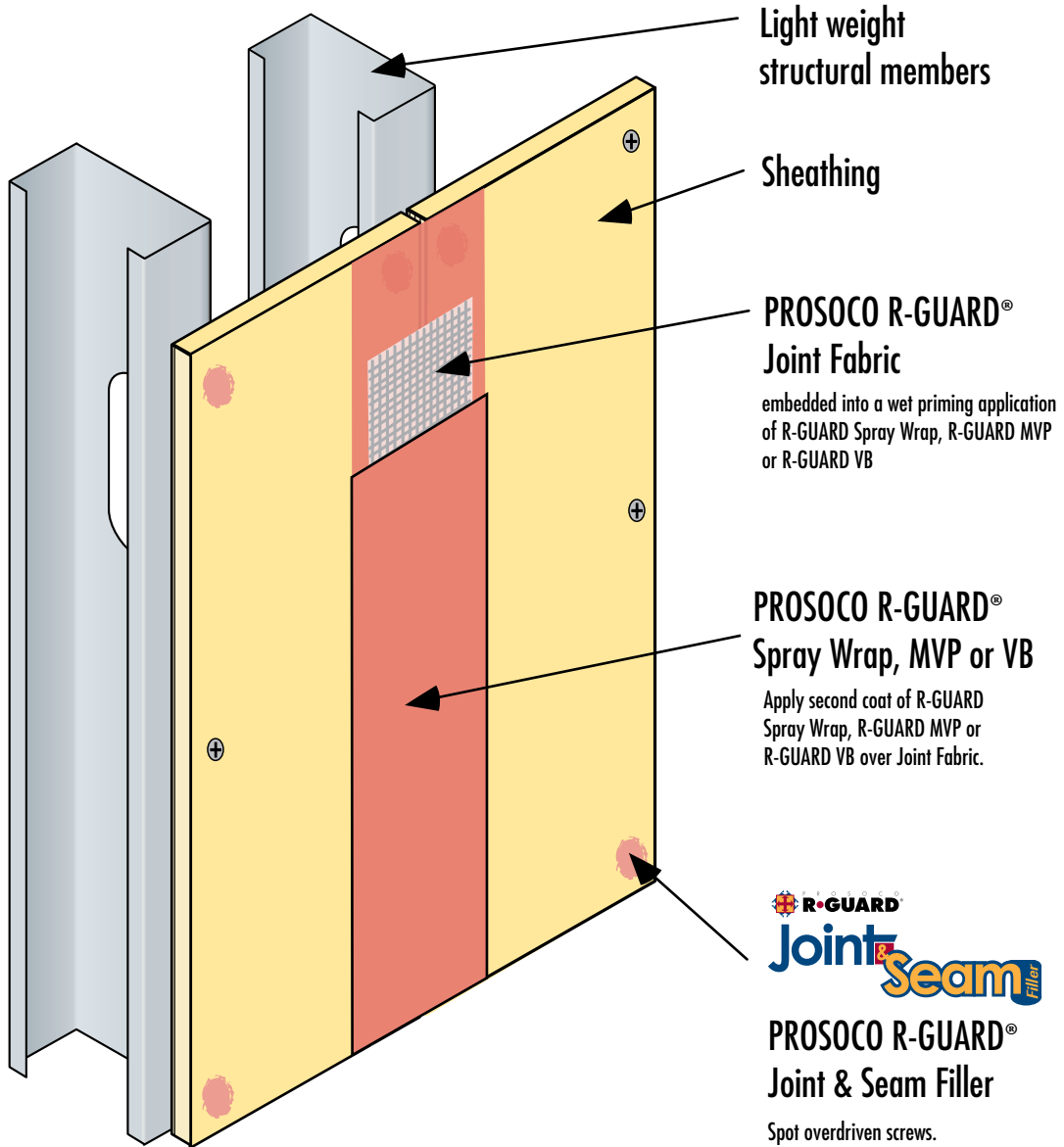
Prepare



*Reinforce and bridge
sheathing joint
with Joint Fabric*

www.prosoco.com

PROSO CO
SINCE 1939



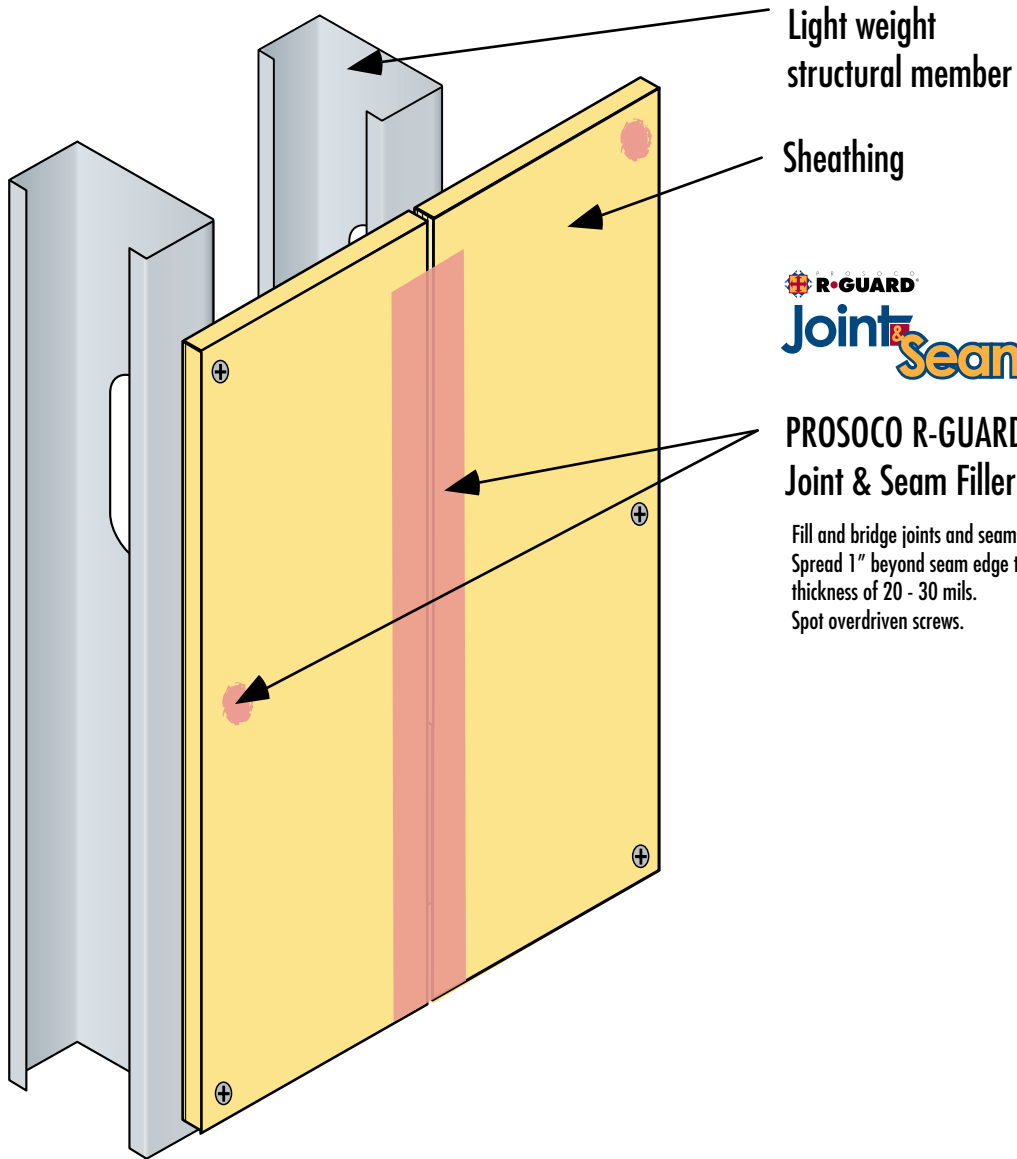
Prepare



Fill and bridge
sheathing joint with
Joint & Seam Filler

www.prosoco.com

PROSOCO
SINCE 1939



Light weight
structural member

Sheathing



PROSOCO R-GUARD®
Joint & Seam Filler

Fill and bridge joints and seams up to 1/2".
Spread 1" beyond seam edge to a
thickness of 20 - 30 mils.
Spot overdriven screws.

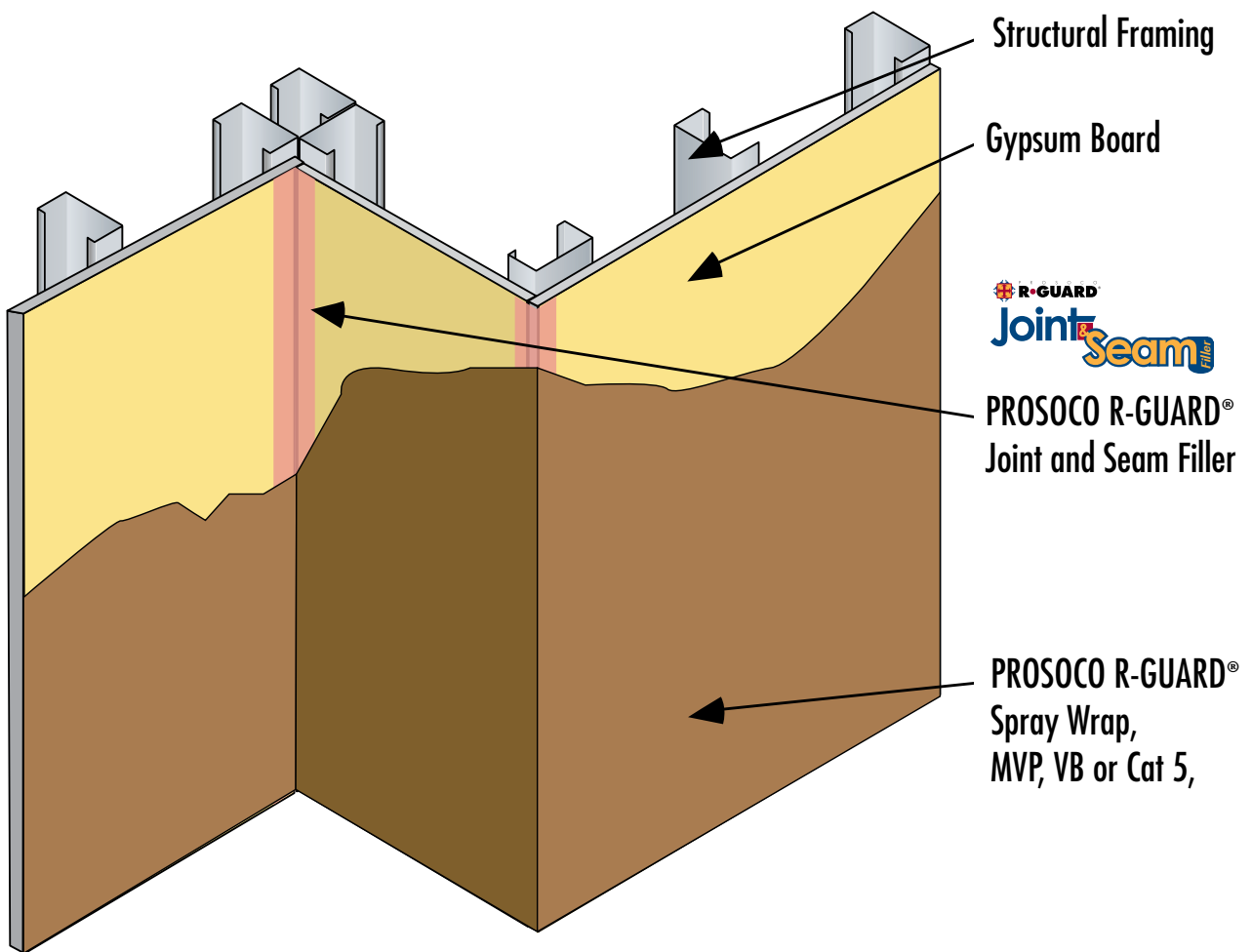
Prepare



*Inside/Outside Wall Corners
using Joint & Seam Filler
and Cat 5, Spray Wrap, MVP or VB*

www.prosoco.com

PROSO CO
SINCE 1939



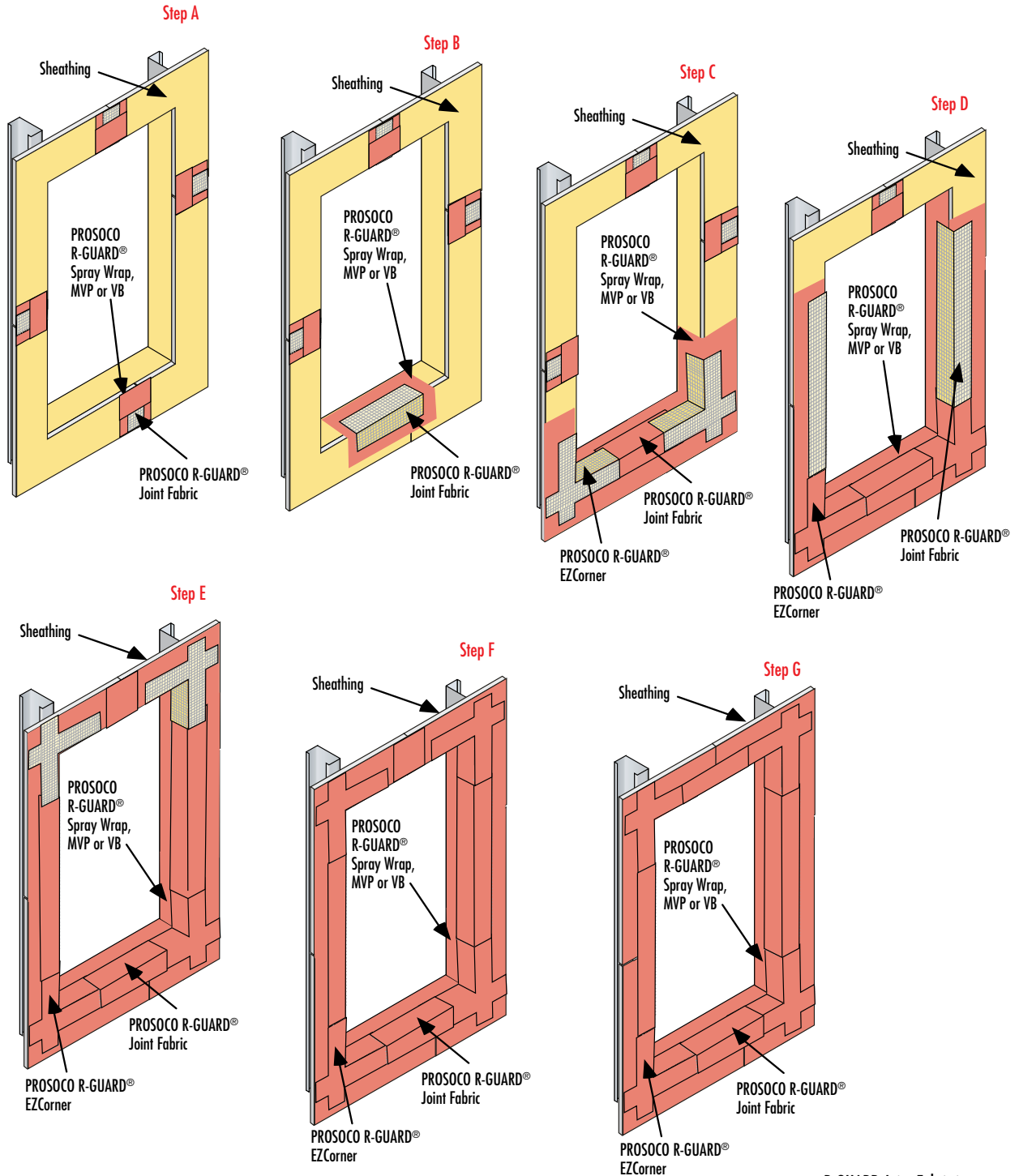
Prepare



Reinforce and bridge
rough opening preparation
Joint Fabric and EZCorners

www.prosoco.com

PROSOCO
SINCE 1939



R-GUARD Joint Fabric is applied in a shingle fashion with at least a 2" overlap

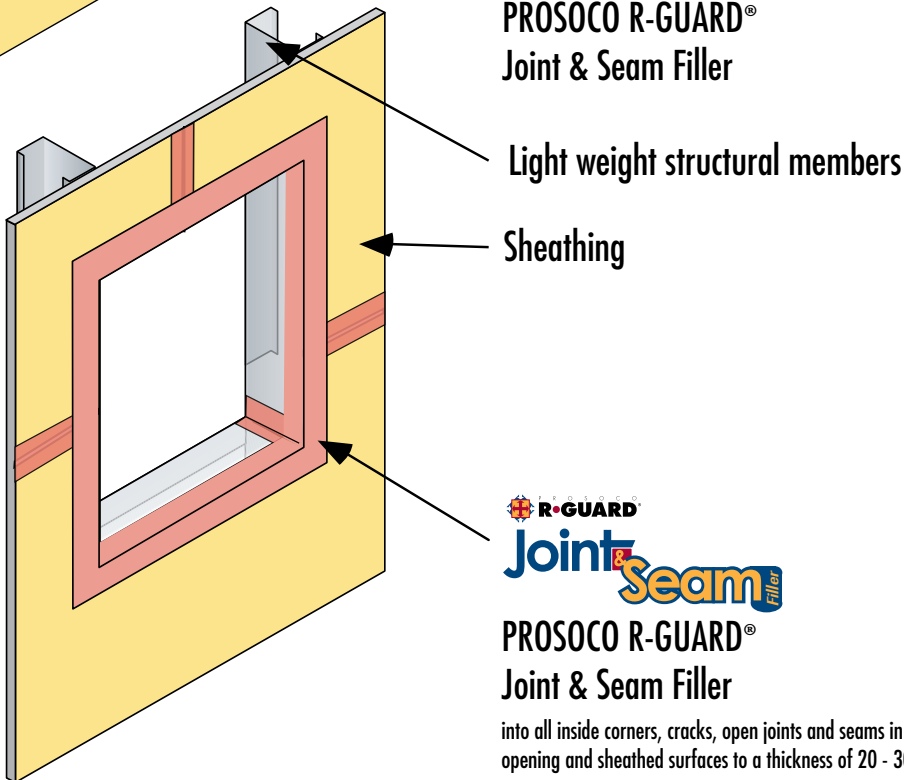
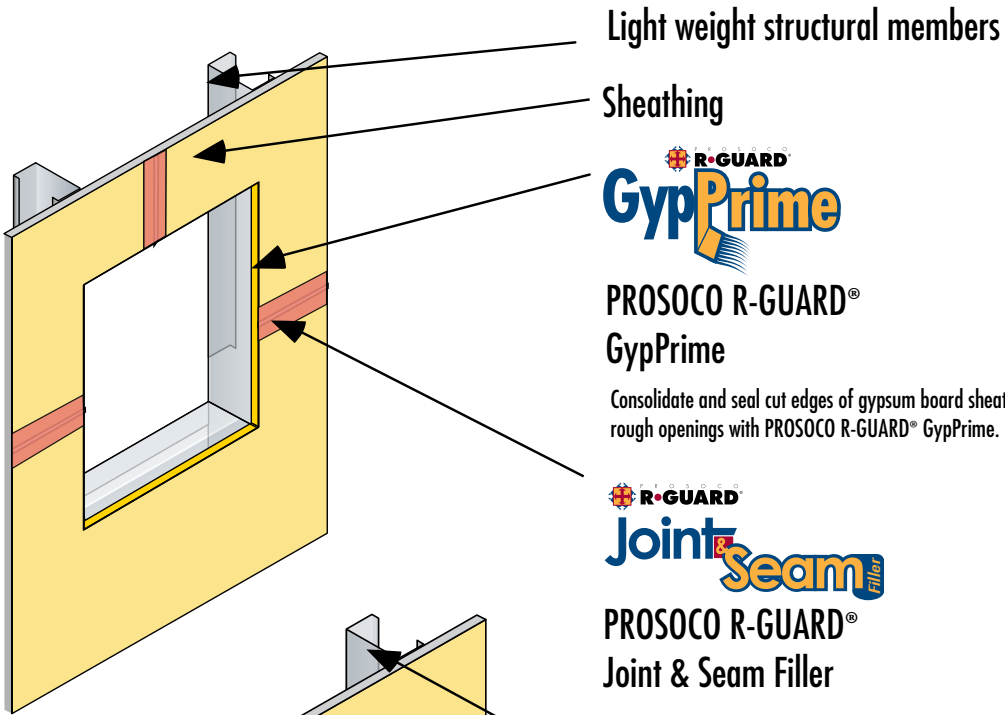
Prepare



Fill and bridge
rough opening preparation
Joint & Seam Filler

www.prosoco.com

PROSOCO
SINCE 1939



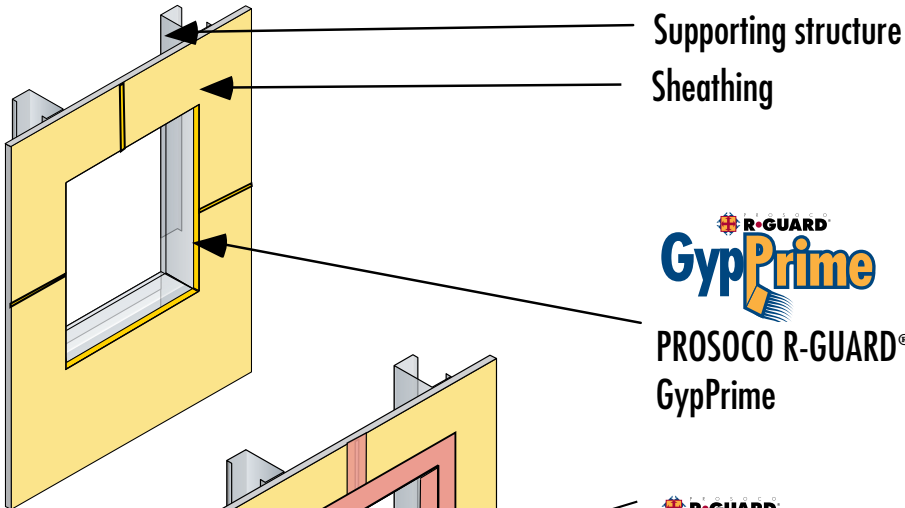
Prepare



Fill, bridge and flash
rough opening preparation
Joint & Seam Filler & FastFlash

www.prosoco.com

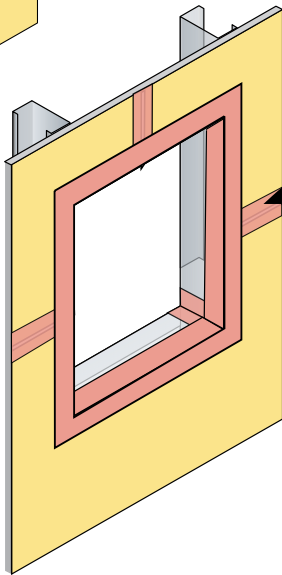
PROSOCO
SINCE 1939



Supporting structure
Sheathing

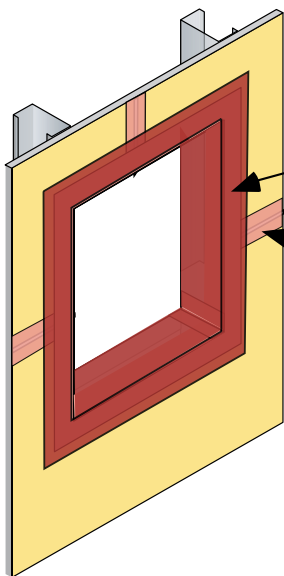


PROSOCO R-GUARD®
GypPrime



PROSOCO R-GUARD®
Joint & Seam Filler

1-inch beyond each seam edge to a
thickness of 20 - 30 mils.



PROSOCO R-GUARD®
FastFlash

PROSOCO R-GUARD FastFlash over the
inside of the rough opening and extending
4-6" over the face of the structural wall



PROSOCO R-GUARD®
Joint & Seam Filler

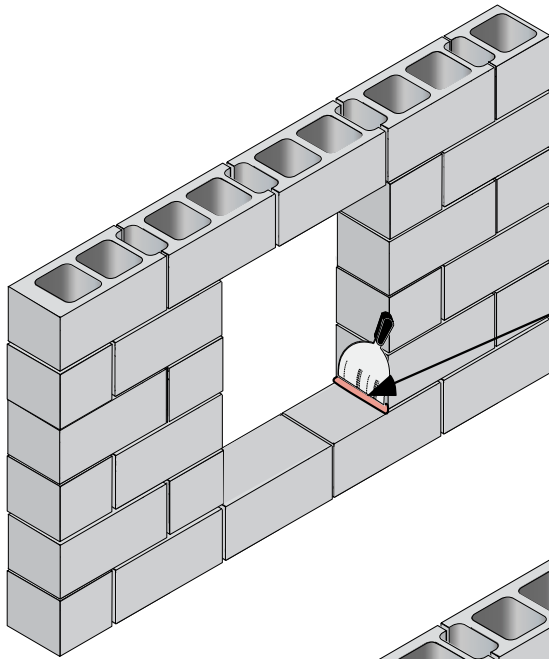
Prepare



*CMU rough opening preparation
with Joint & Seam Filler and
FastFlash*

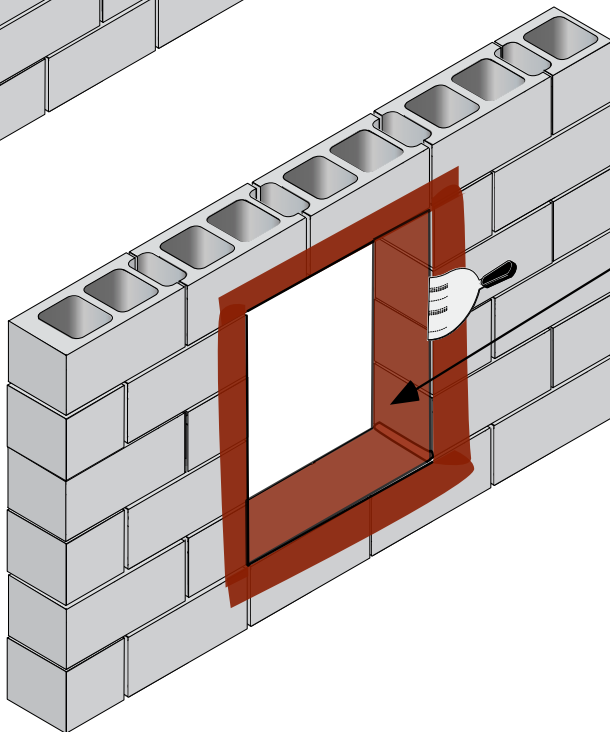
www.prosoco.com

PROSOCO
SINCE 1939



PROSOCO R-GUARD®
Joint & Seam Filler

Spread one inch vertically and
horizontally from the corner



PROSOCO R-GUARD®
FastFlash

4" - 6" onto wall

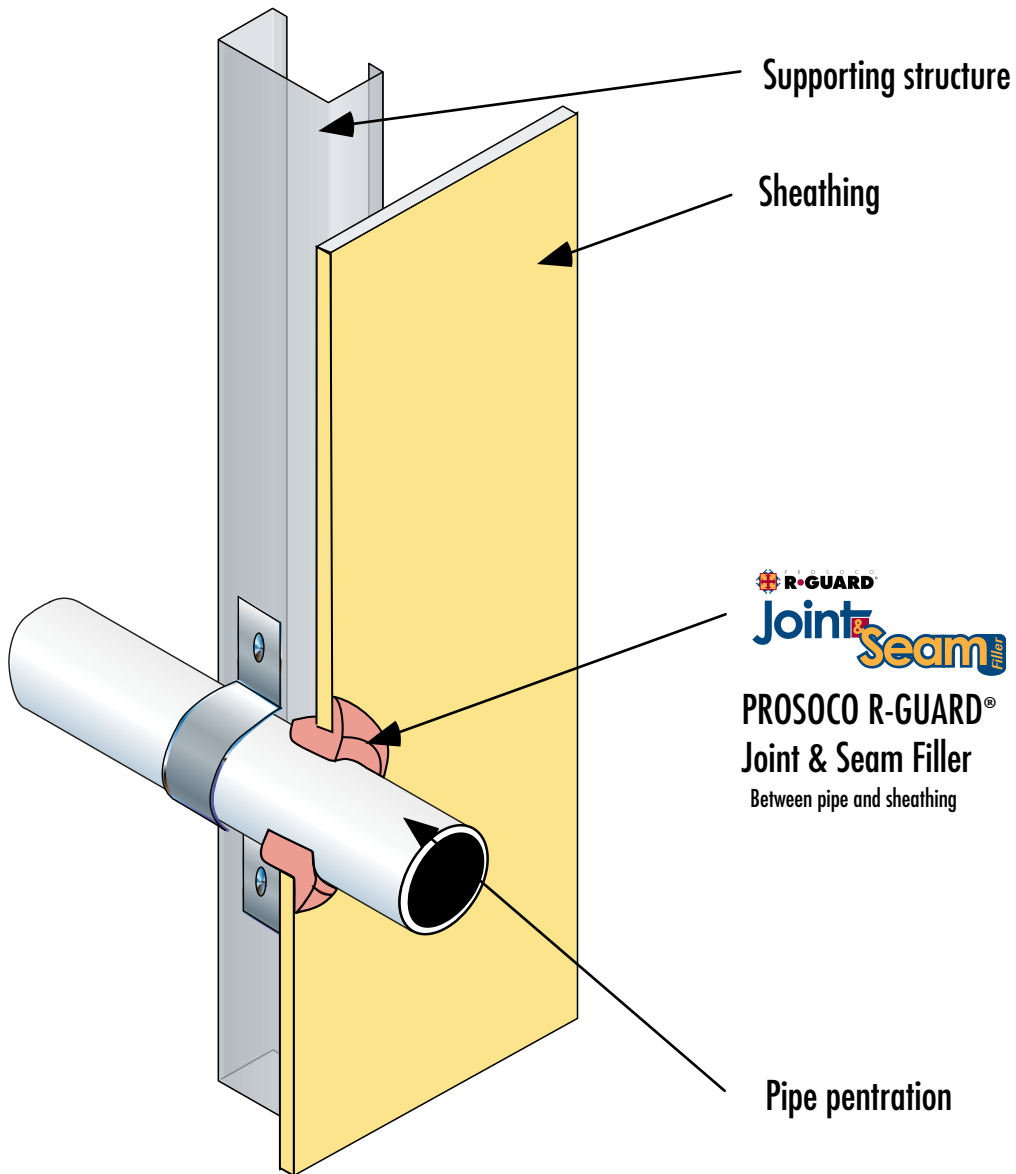
Prepare



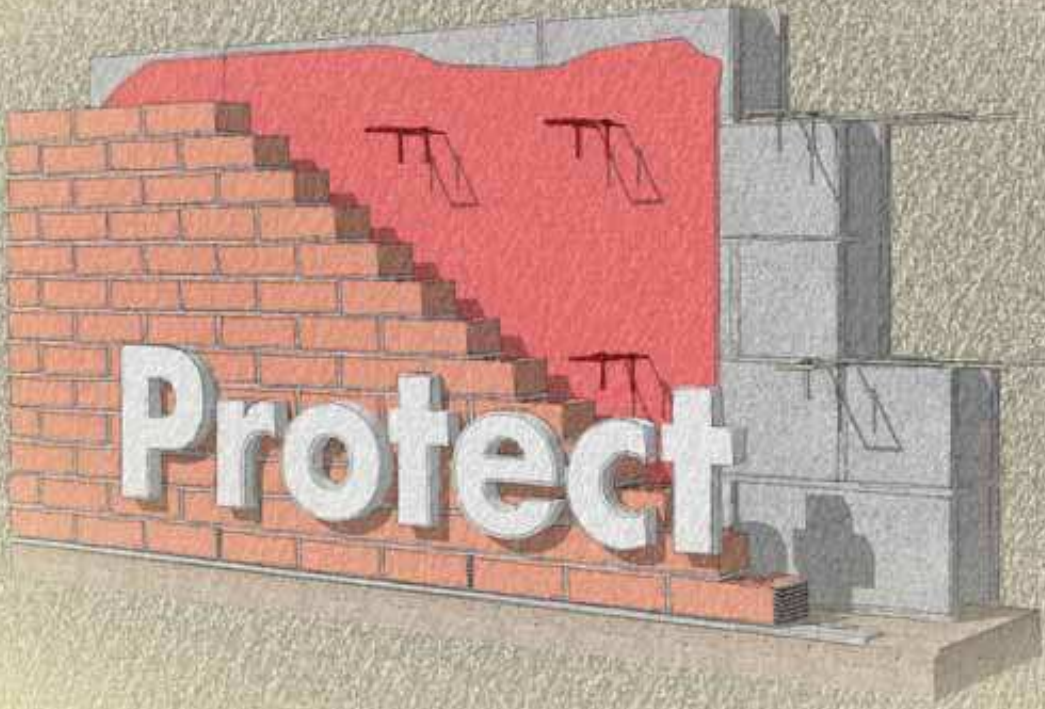
*Through-wall penetrations
Joint & Seam Filler*

www.prosoco.com

PROSOCO
SINCE 1939



Step 2



P R O S O C O
R • GUARD®

Air and Water-Resistive/Waterproofing Barrier Systems

New Construction

To make a claim on PROSOCO's R-GUARD warranties, you must meet all terms and conditions of the warranty, including use of the applicable R-GUARD Installation Guidelines. If a specific installation detail or technique is not covered, then the general principles outlined in the R-GUARD Installation Guidelines must have been followed. Contact PROSOCO with any questions regarding installation.

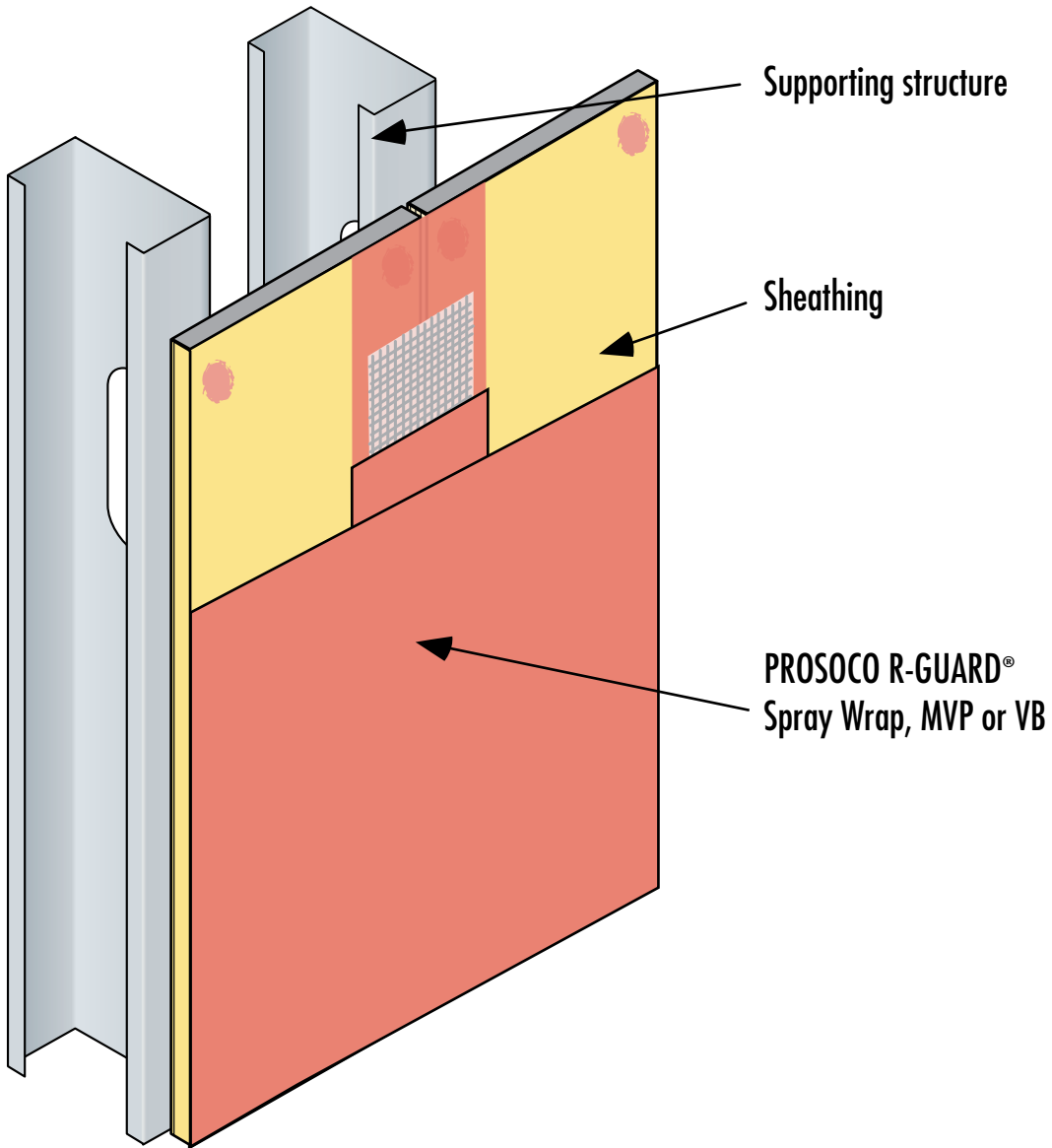
Protect



*Sheathing joint prepared with
Joint Fabric, Spray Wrap,
MVP or VB*

www.prosoco.com

PROSOCO
SINCE 1939



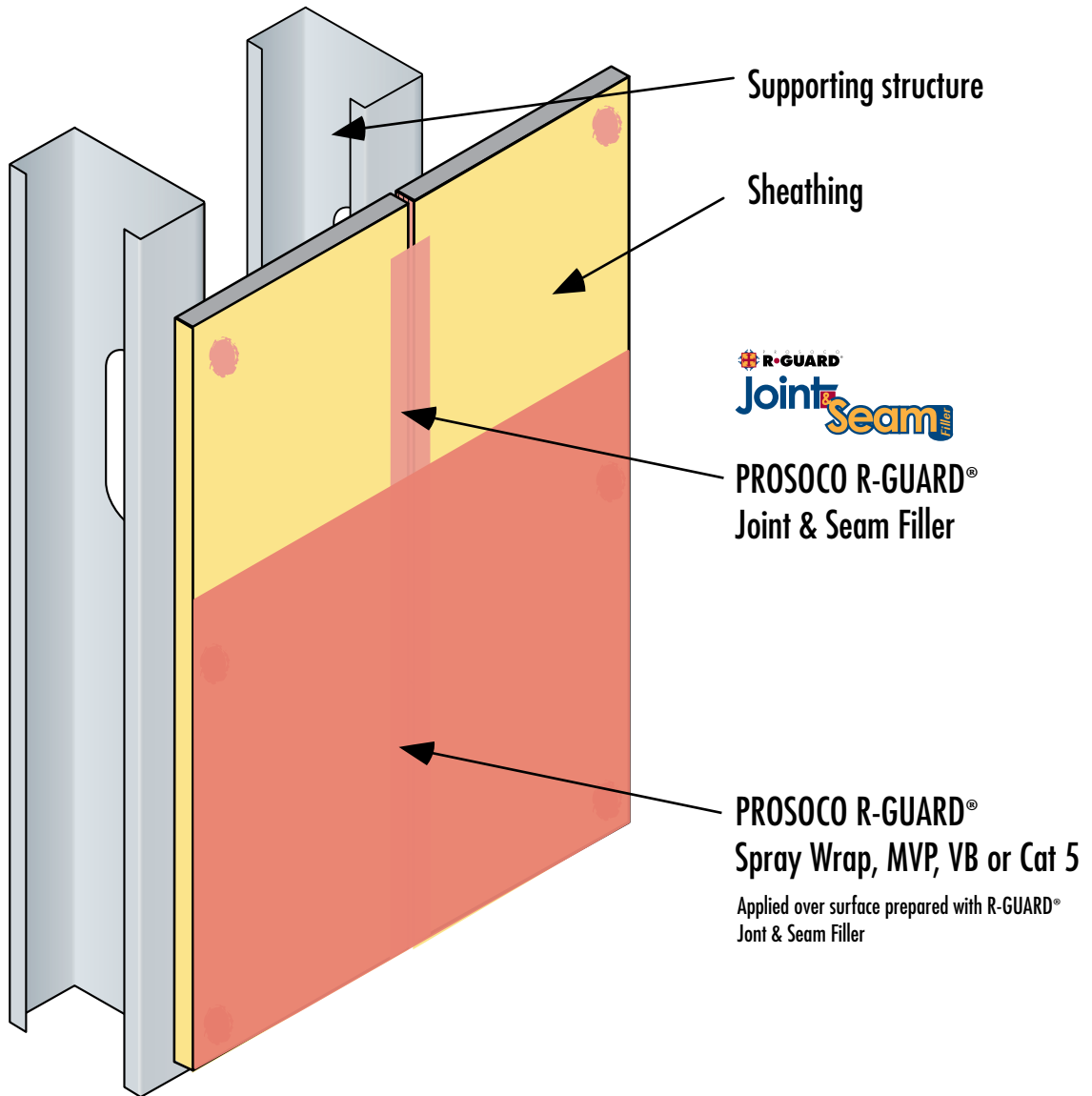
Protect



*Sheathing joint prepared with
Joint & Seam Filler, Spray Wrap,
MVP, VB or Cat-5*

www.prosoco.com

PROSO CO
SINCE 1939



Protect

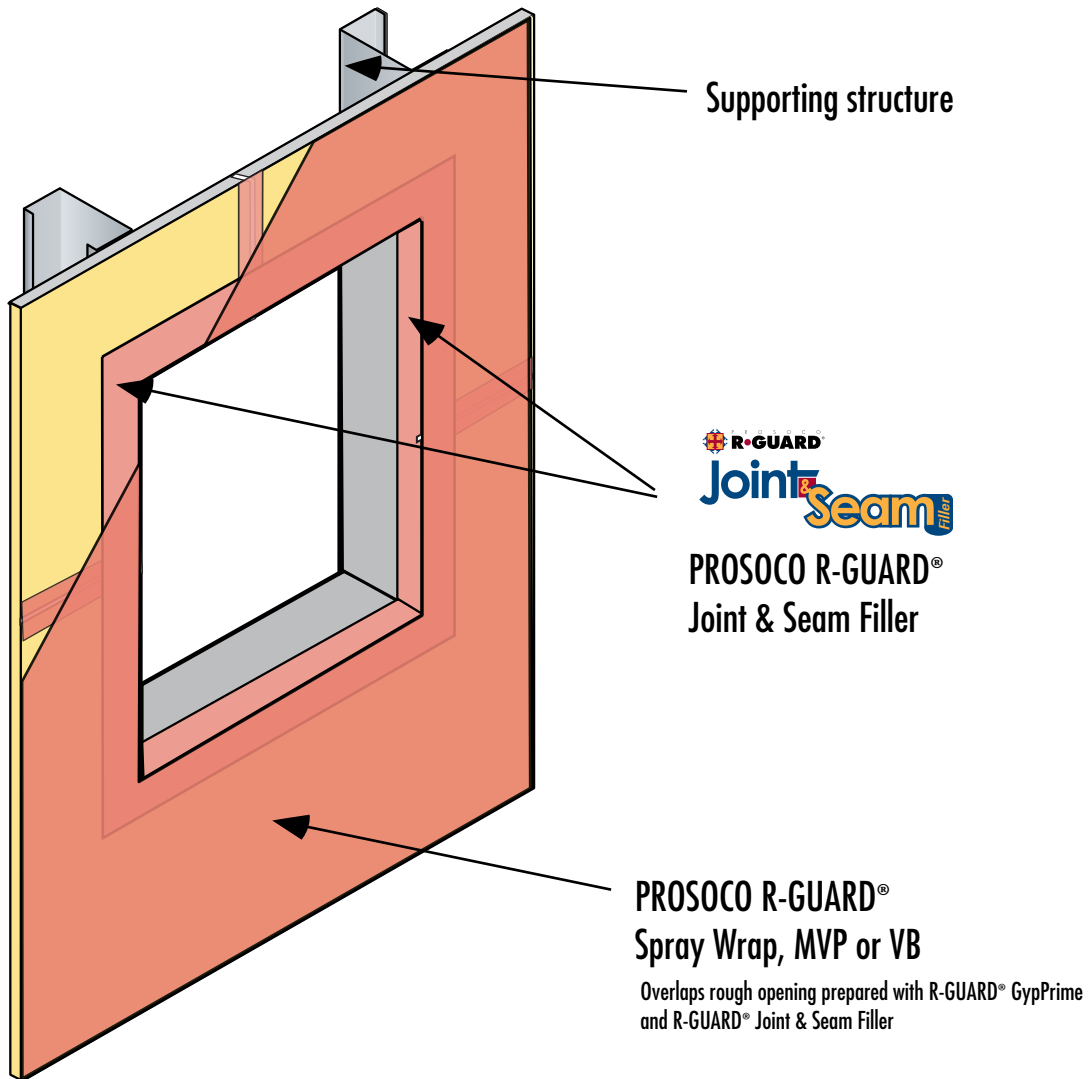


P R O S O C O
R-GUARD®

*Rough Opening prepared with
Joint & Seam Filler, Spray Wrap,
MVP or VB*

www.prosoco.com

PROSO
SINCE 1939



Protect

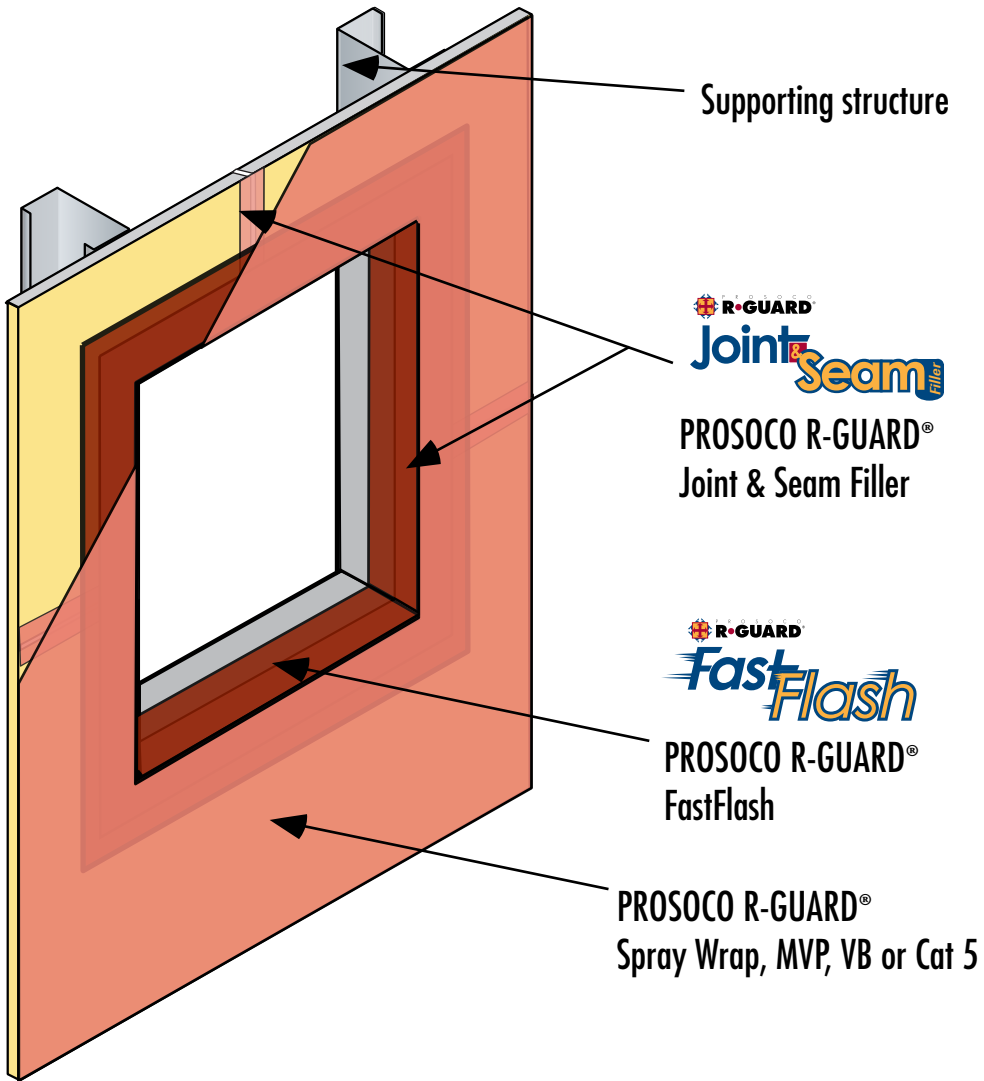


P R O S O C O
R-GUARD®

Rough Opening prepared with Joint & Seam Filler/FastFlash, Spray Wrap, MVP, VB or Cat 5

www.prosoco.com

PROSO CO
SINCE 1939



Vist www.prosoco.com/RGUARDCAD.asp to download an AutoCAD .dwg of this illustration

Protect

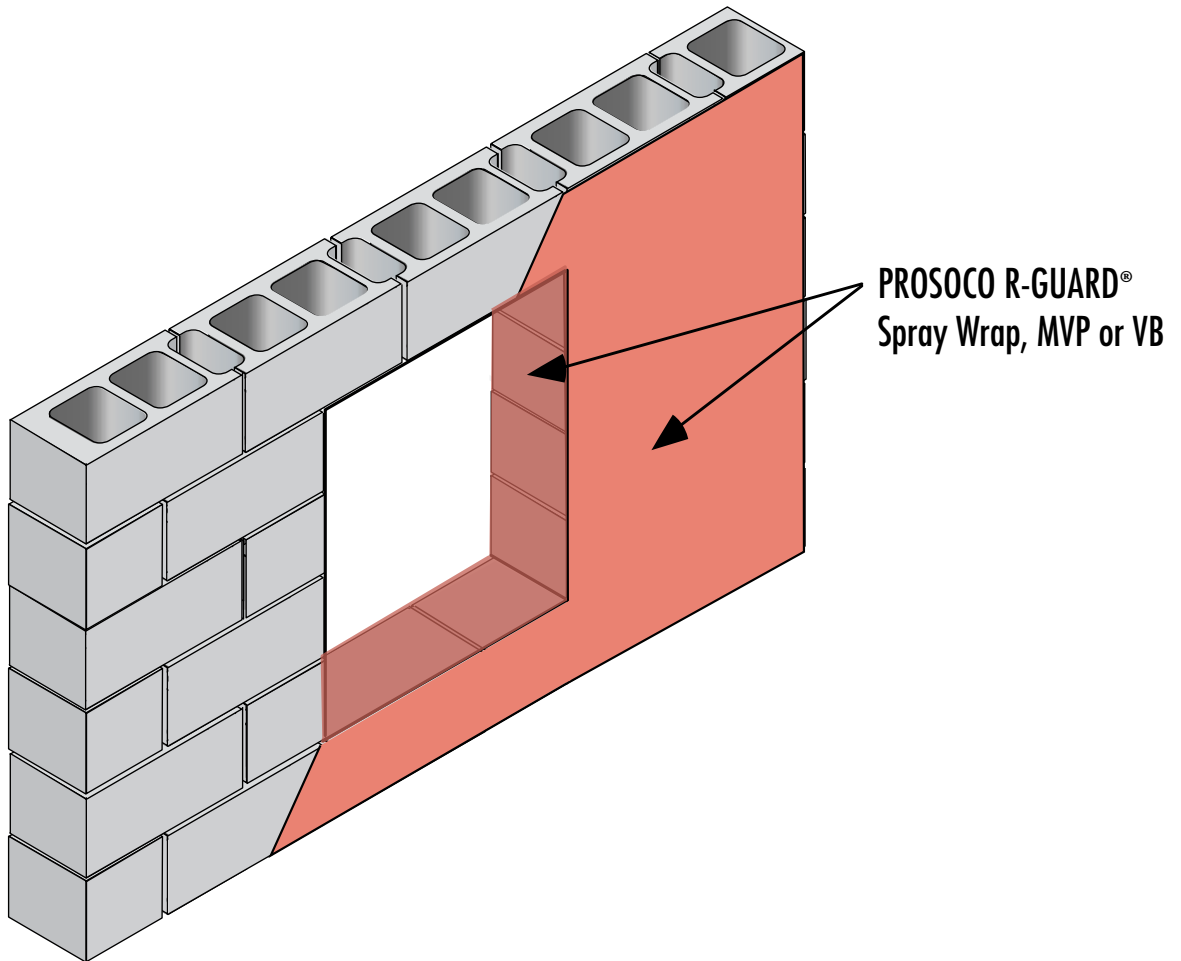


P R O S O C O
R-GUARD®

*CMU Rough opening not
previously treated.*

www.prosoco.com

PROSOCO
SINCE 1939



Treat open cracks in rough
opening with Joint & Seam Filler

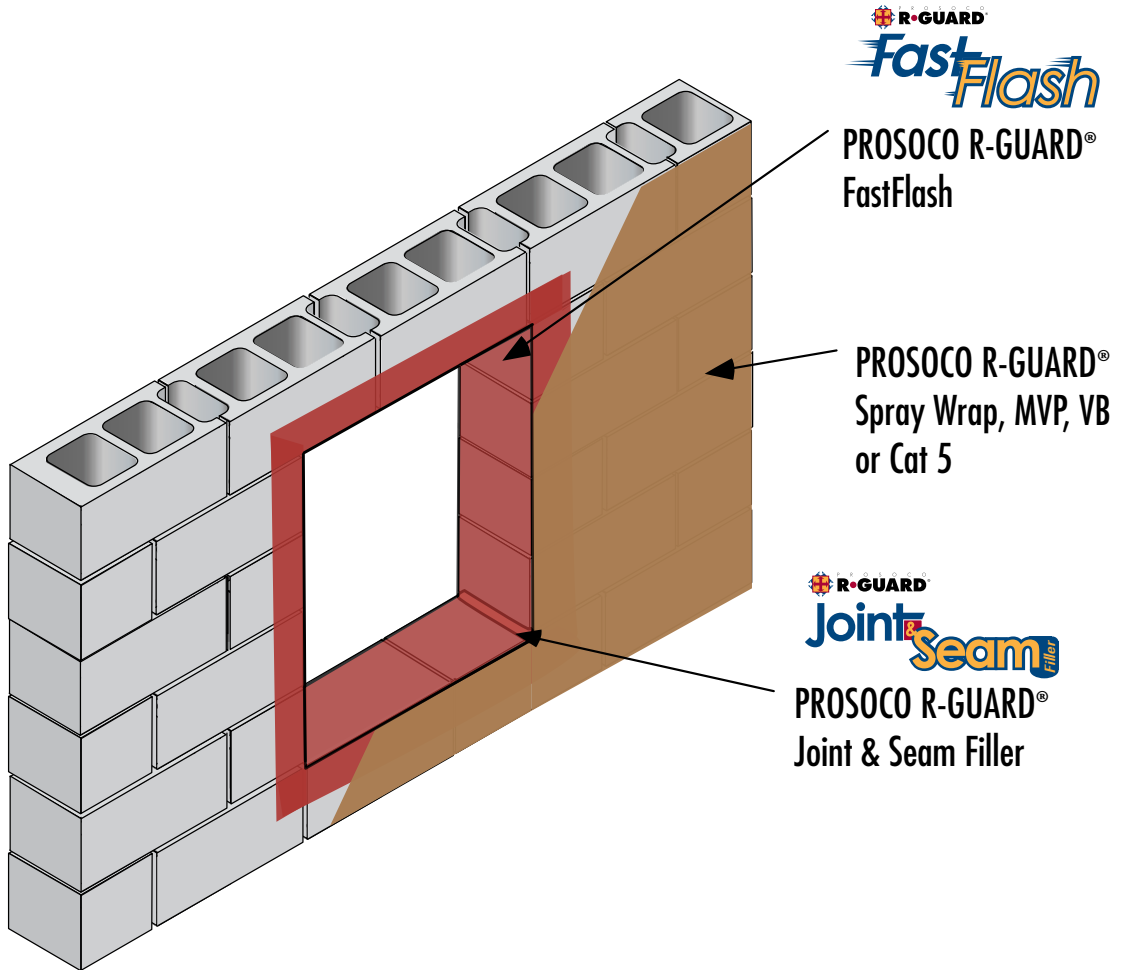
Protect



*CMU Rough opening prepared
with Joint & Seam Filler/FastFlash.*

www.prosoco.com

PROSO CO
SINCE 1939



Protect

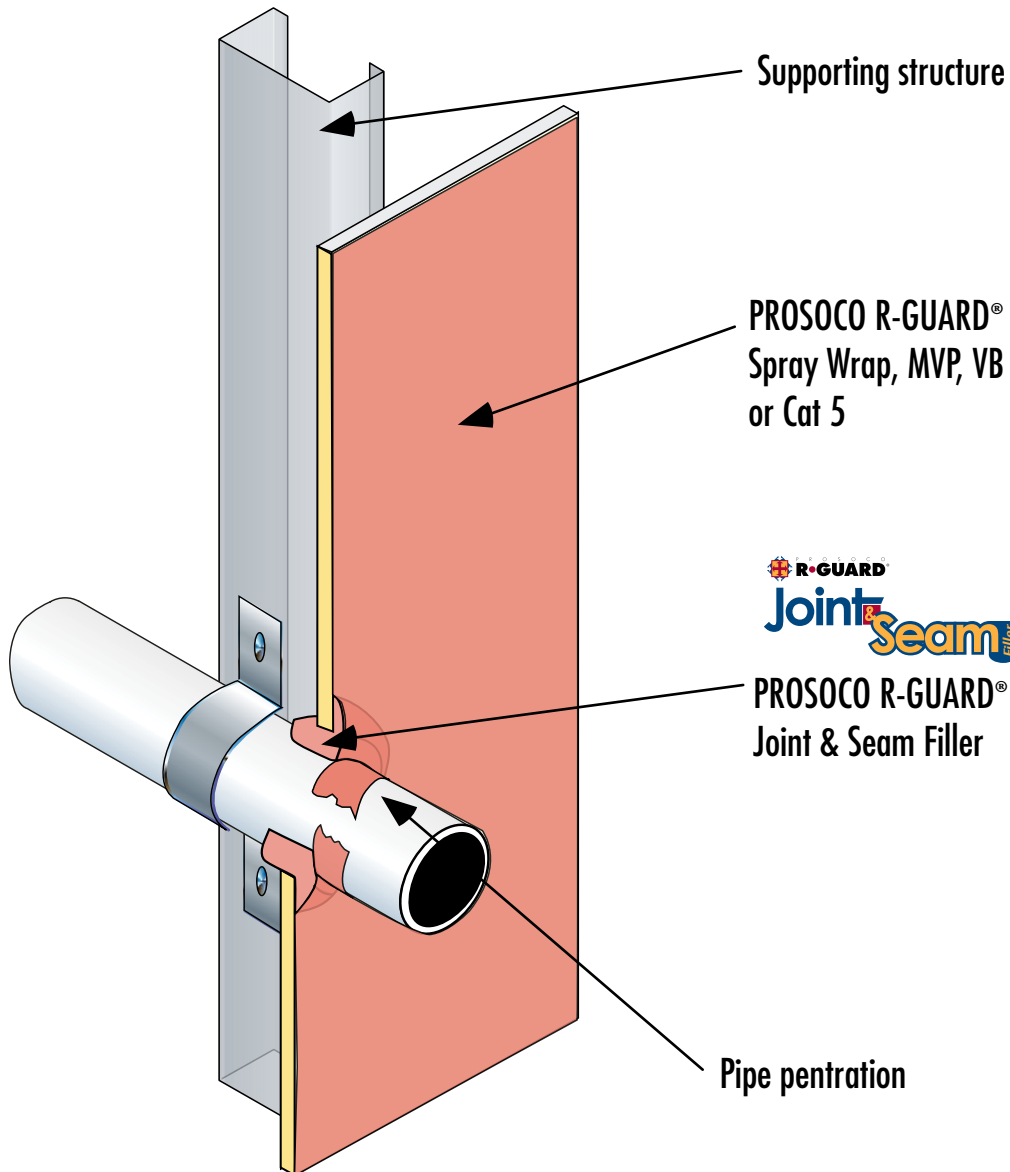


P R O S O C O
R-GUARD®

*Through-Wall Penetrations
Joint & Seam Filler and Spray
Wrap, MVP, VB or Cat5*

www.prosoco.com

PROSOCO
SINCE 1939



Step 3



P R O S O C O
R • GUARD®

Air and Water-Resistive/Waterproofing Barrier Systems

New Construction

To make a claim on PROSOCO's R-GUARD warranties, you must meet all terms and conditions of the warranty, including use of the applicable R-GUARD Installation Guidelines. If a specific installation detail or technique is not covered, then the general principles outlined in the R-GUARD Installation Guidelines must have been followed. Contact PROSOCO with any questions regarding installation.

Transition

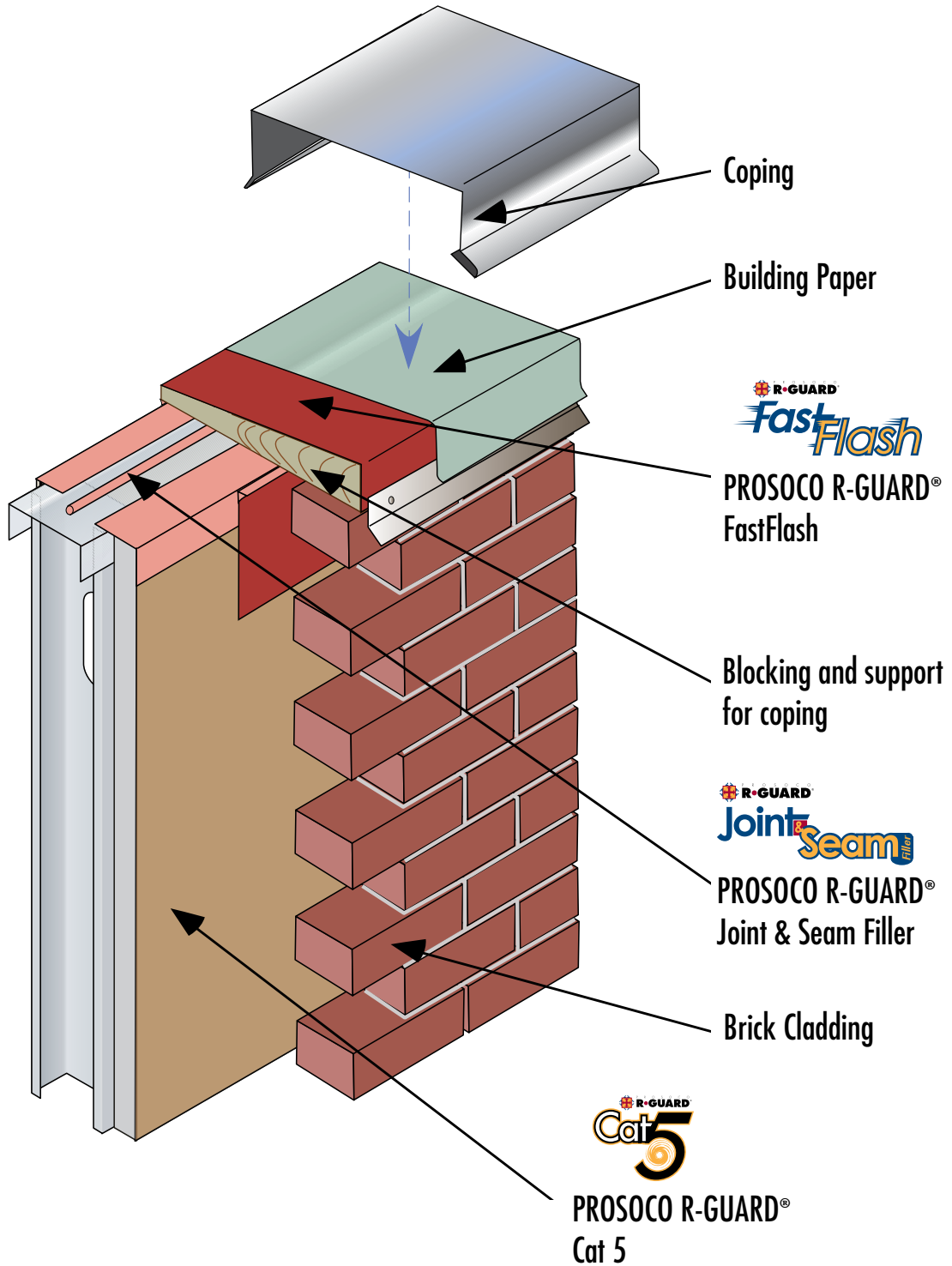


P R O S O C O
R-GUARD®

*Parapet Termination
using Joint & Seam Filler
and FastFlash*

www.prosoco.com

PROSOCO
SINCE 1939



Vist www.prosoco.com/RGUARDCAD.asp to download an AutoCAD .dwg of this illustration

Transition

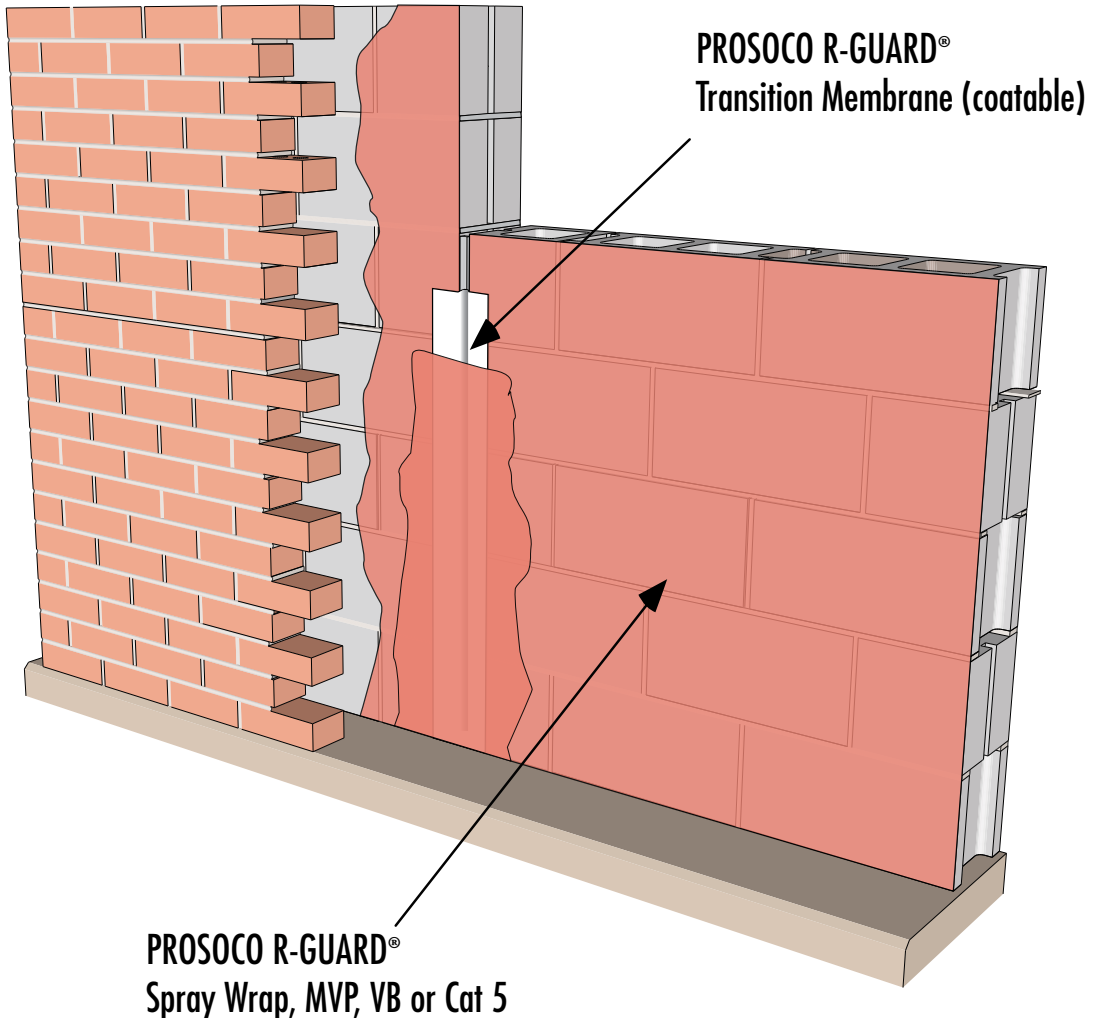


P R O S O C O
R-GUARD®

*CMU Control Joint with
Transition Membrane and
Spray Wrap, MVP, VB or Cat 5*

www.prosoco.com

PROSOCO
SINCE 1939



Step A. Install transition membrane
Step B. Overcoat transition membrane with
Spray Wrap, MVP, VB or Cat 5

Visit www.prosoco.com/RGUARDCAD.asp to download an AutoCAD .dwg of this illustration

Transition

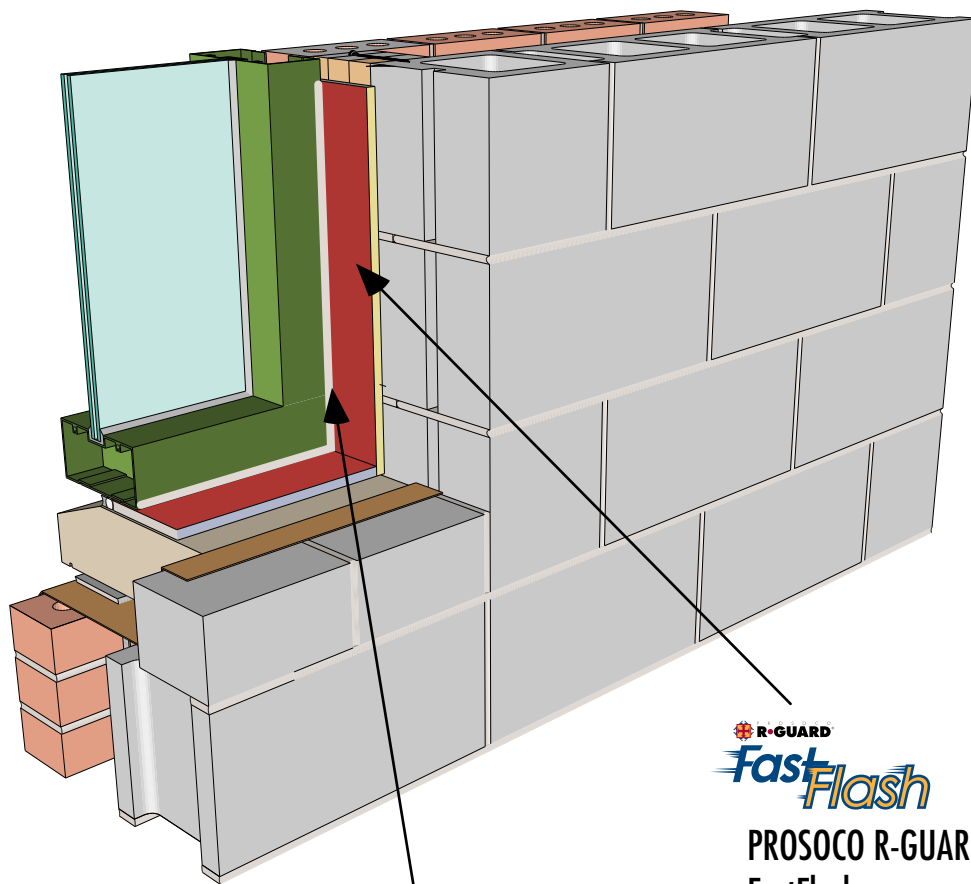


P R O S O C O
R-GUARD®

Window Installation using AirDam

www.prosoco.com

PROSO CO
SINCE 1939



R-GUARD
FastFlash

PROSO R-GUARD®
FastFlash

R-GUARD
AirDam

PROSO R-GUARD®

AirDam

Interior air and weather barrier sealant for windows and doors

Visit www.prosoco.com/RGUARDCAD.asp to download an AutoCAD .dwg of this illustration

Transition

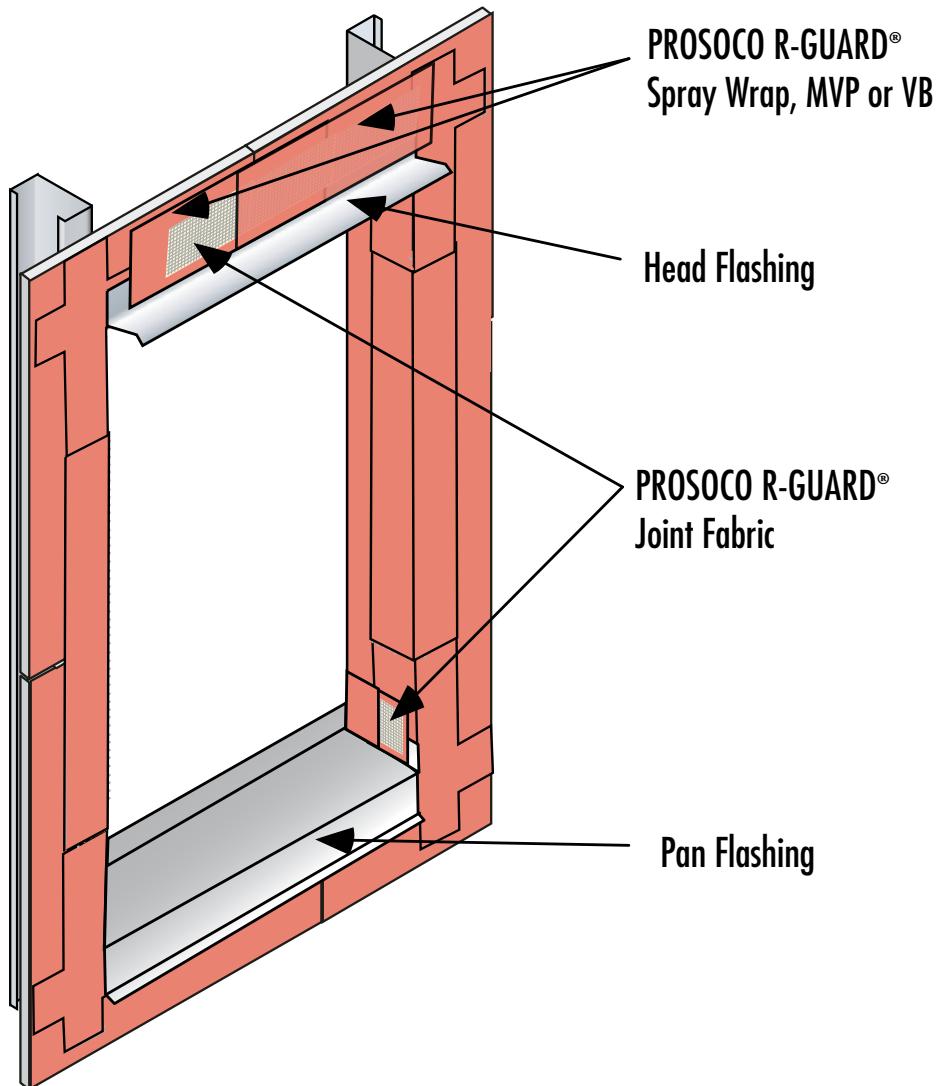


P R O S O C O
R-GUARD®

*Metal flashing Treatment
using Joint Fabric*

www.prosoco.com

PROSO
SINCE 1939



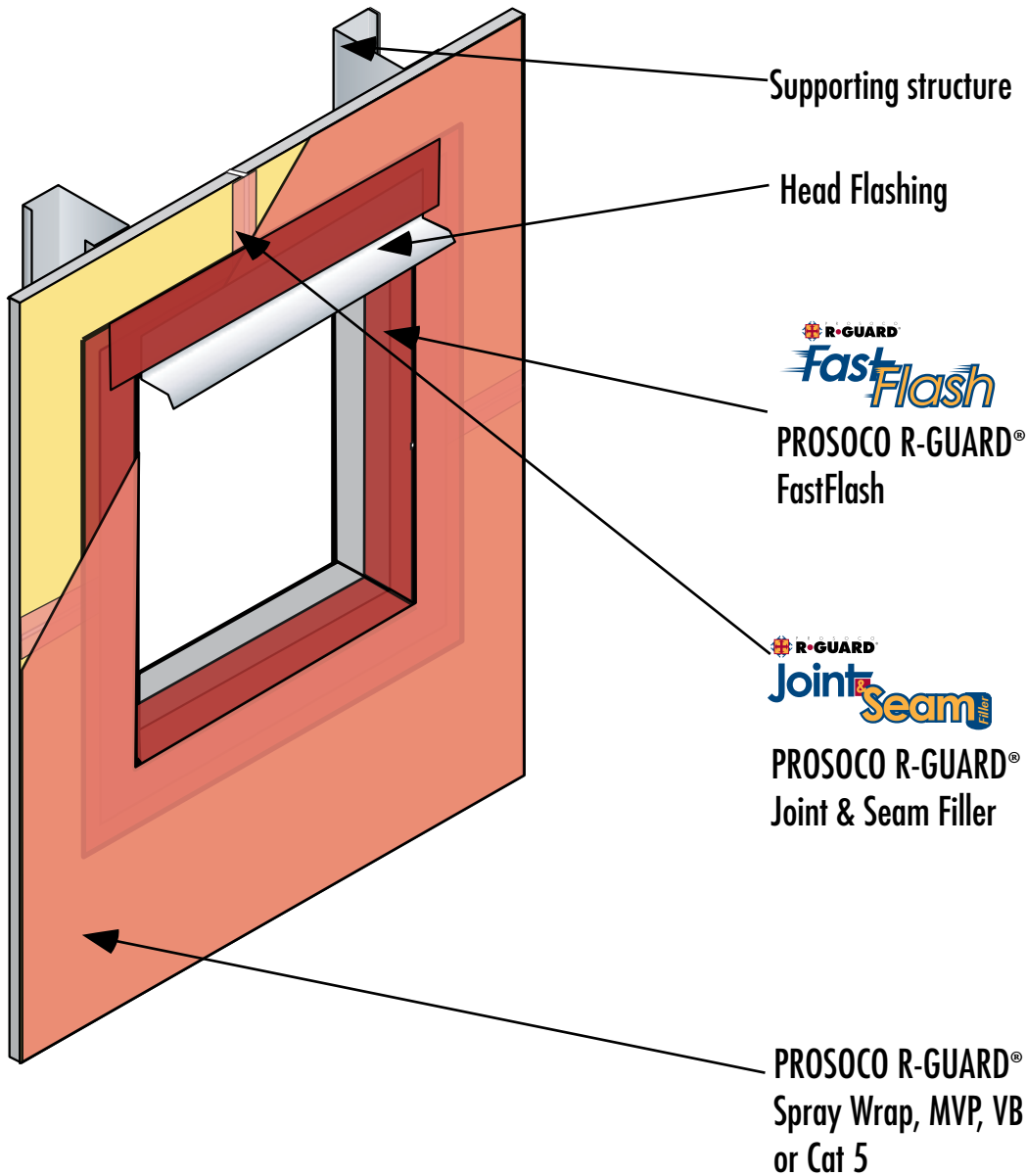
Transition



*Metal flashing Treatment
using Joint & Seam Filler
and FastFlash*

www.prosoco.com

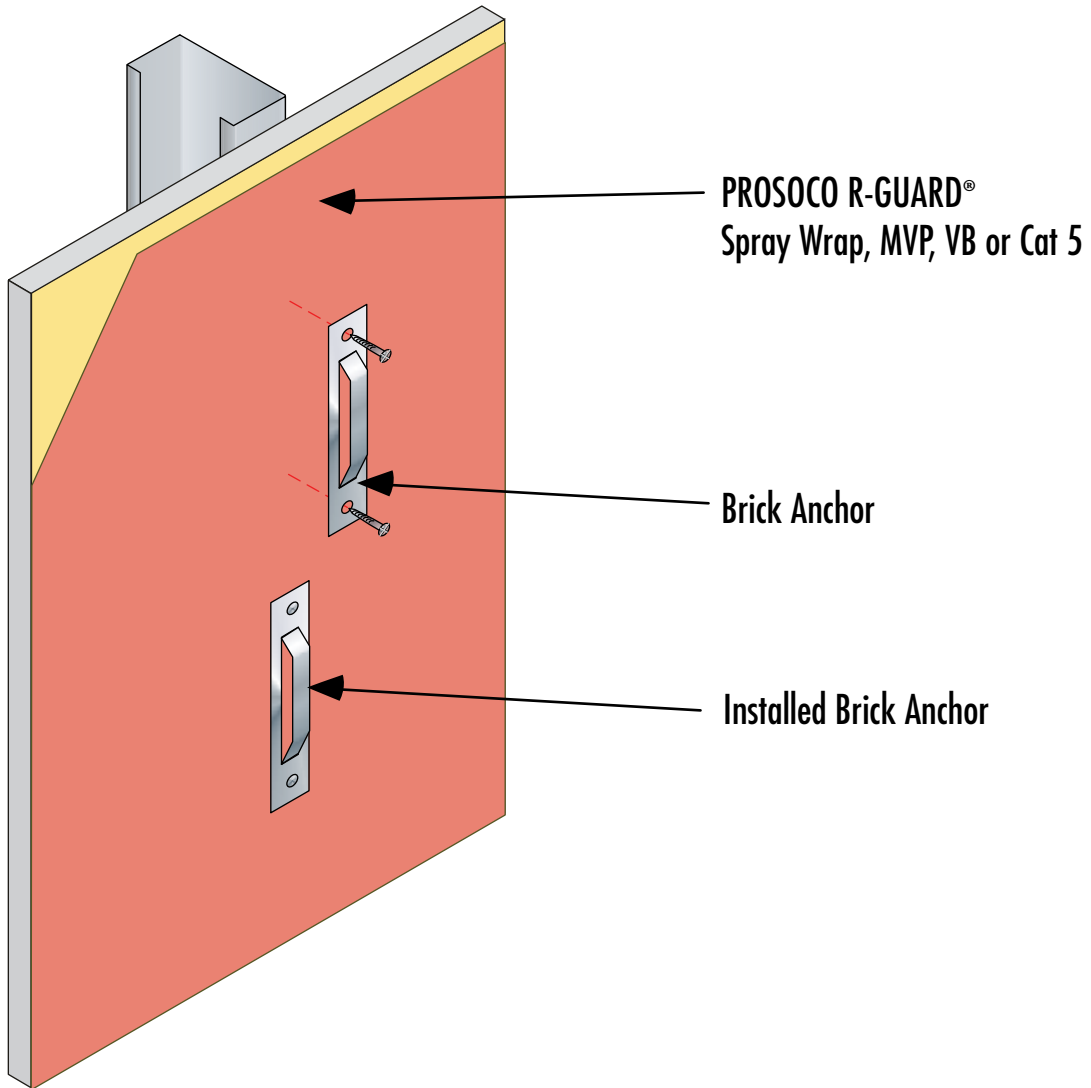
PROSOCO
SINCE 1939



Brick Anchor Attachment

www.prosoco.com

PROSOCO
SINCE 1939



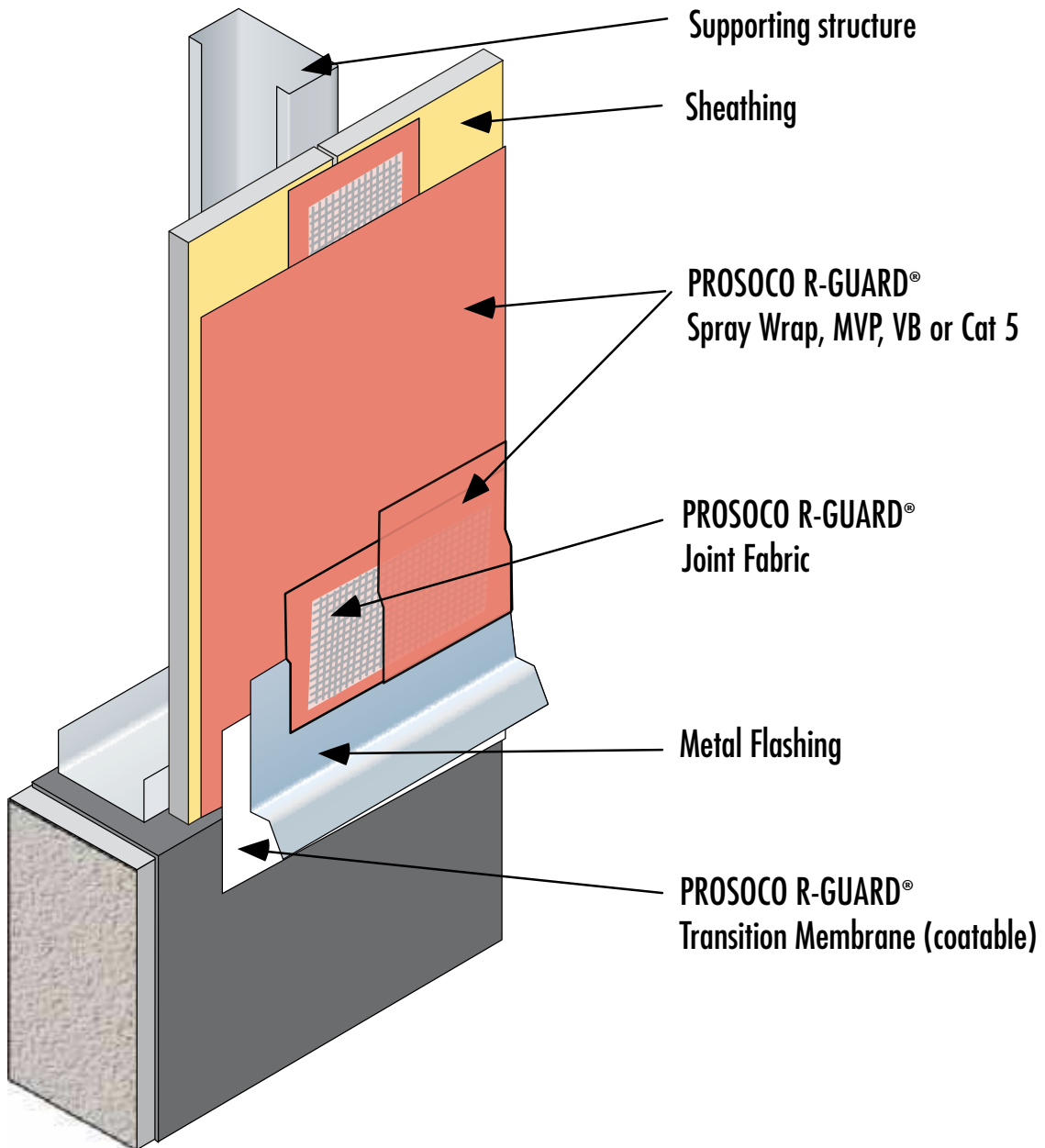
Transition

Termination at grade - Sheathing with Joint Fabric



www.prosoco.com

PROSOCO
SINCE 1939



Transition

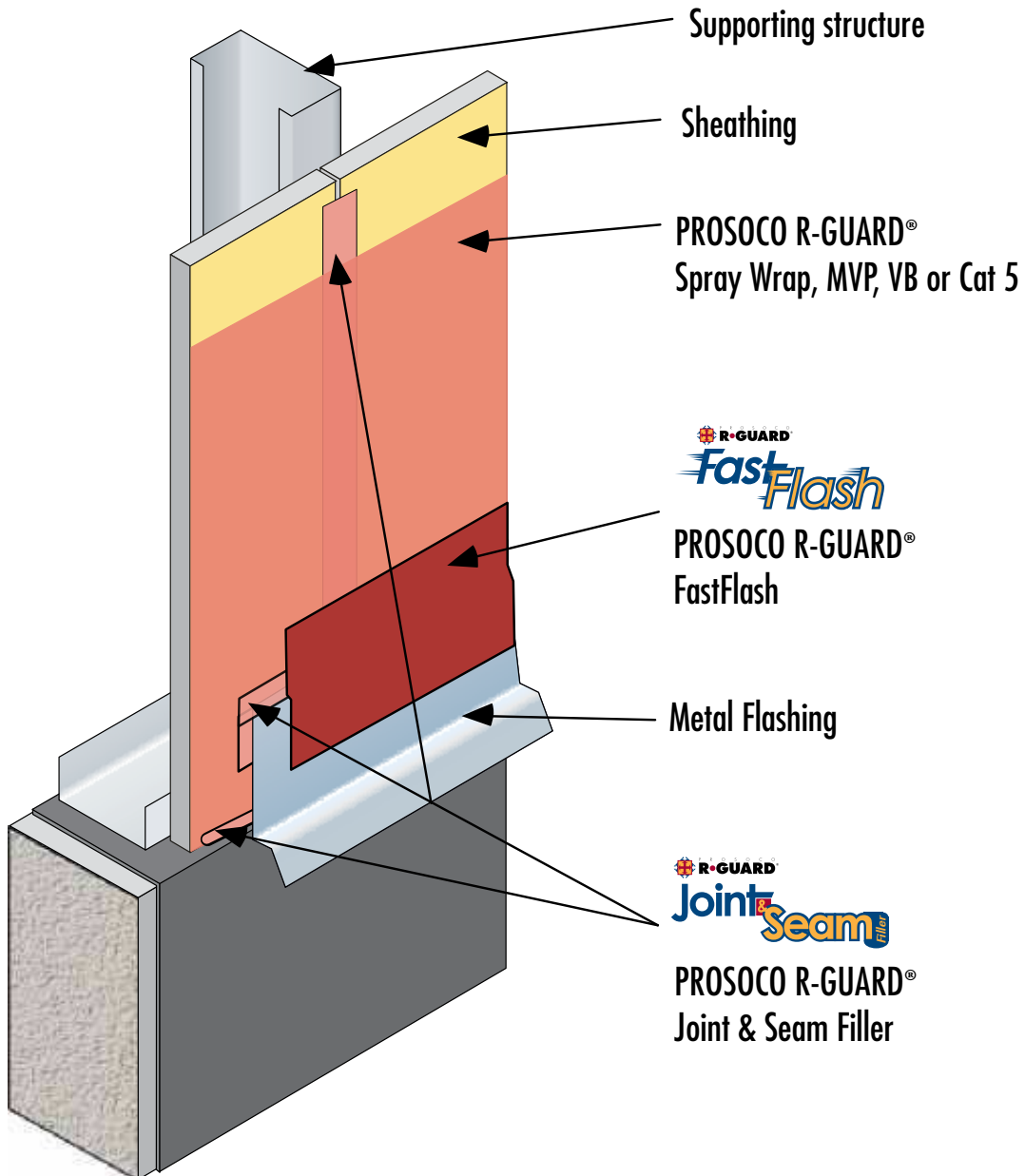


P R O S O C O
R-GUARD®

*Termination at grade -
Sheathing with Joint & Seam Filler
and FastFlash*

www.prosoco.com

PROSOCO
SINCE 1939



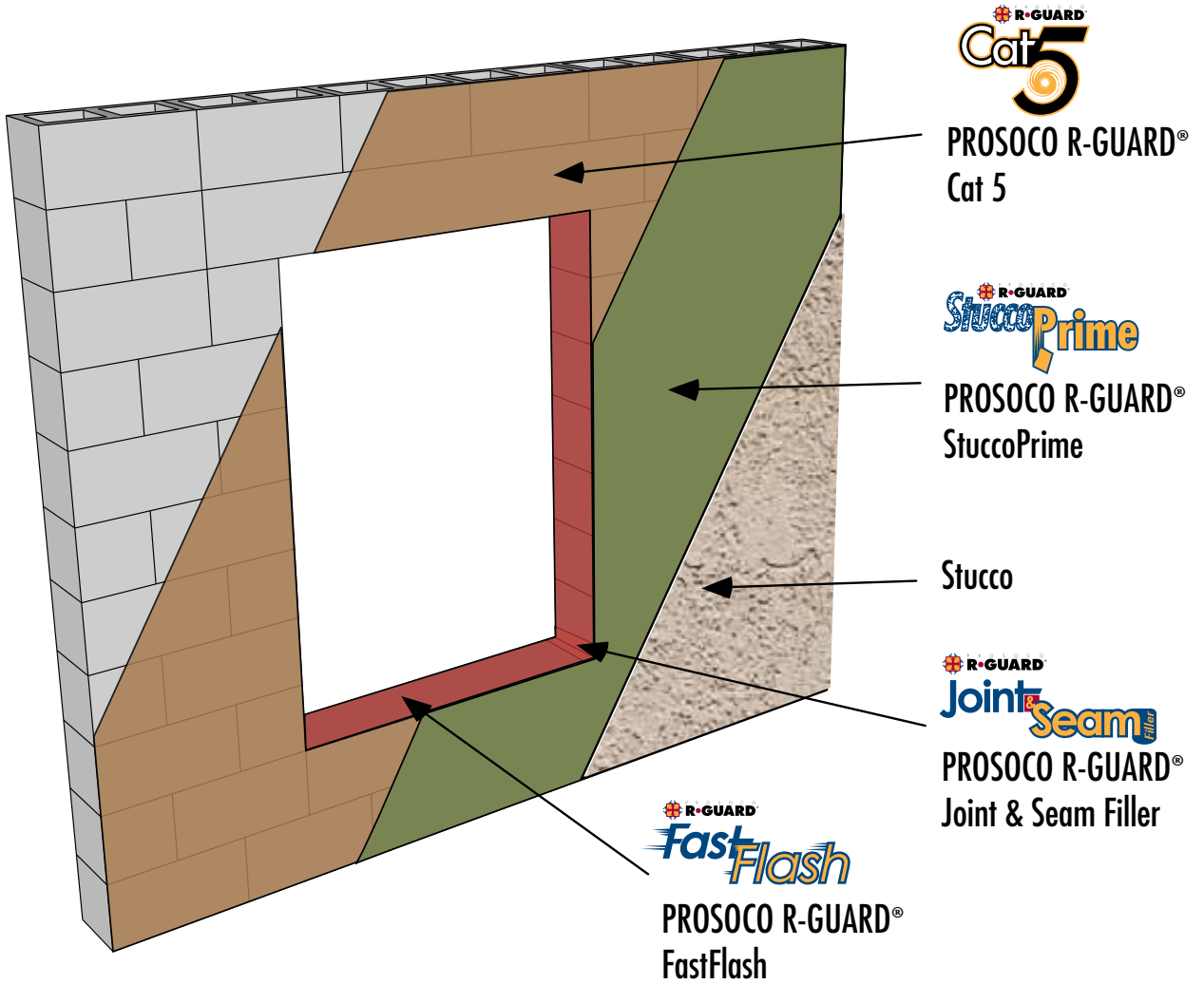
Transition



*StuccoPrime to receive
stucco scratch coat*

www.prosoco.com

PROSOCO
SINCE 1939



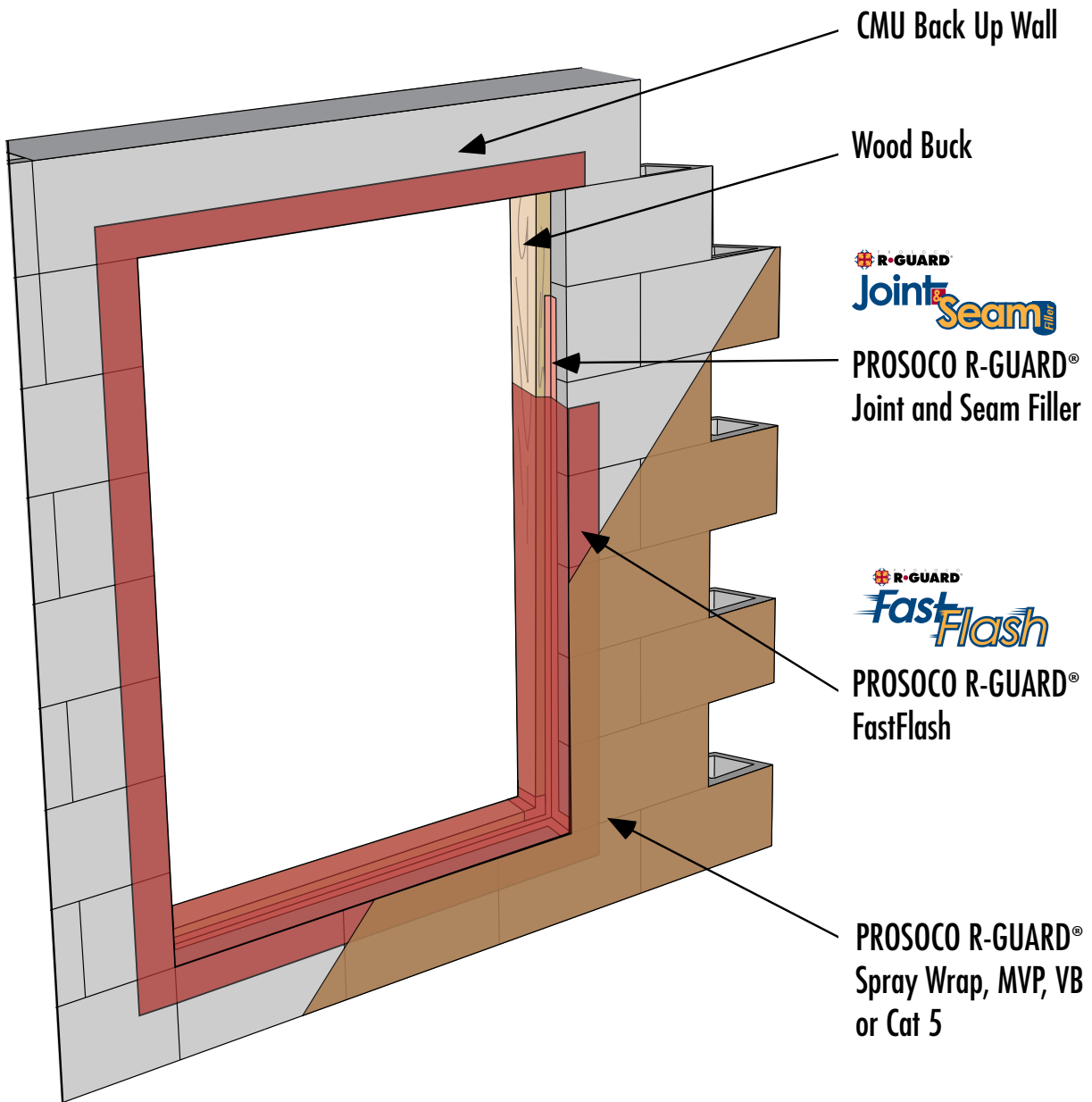
Transition



*Rough Opening with Wood Buck
Installation using Joint & Seam
Filler, FastFlash, and Cat 5*

www.prosoco.com

PROSOCO
SINCE 1939



Transition

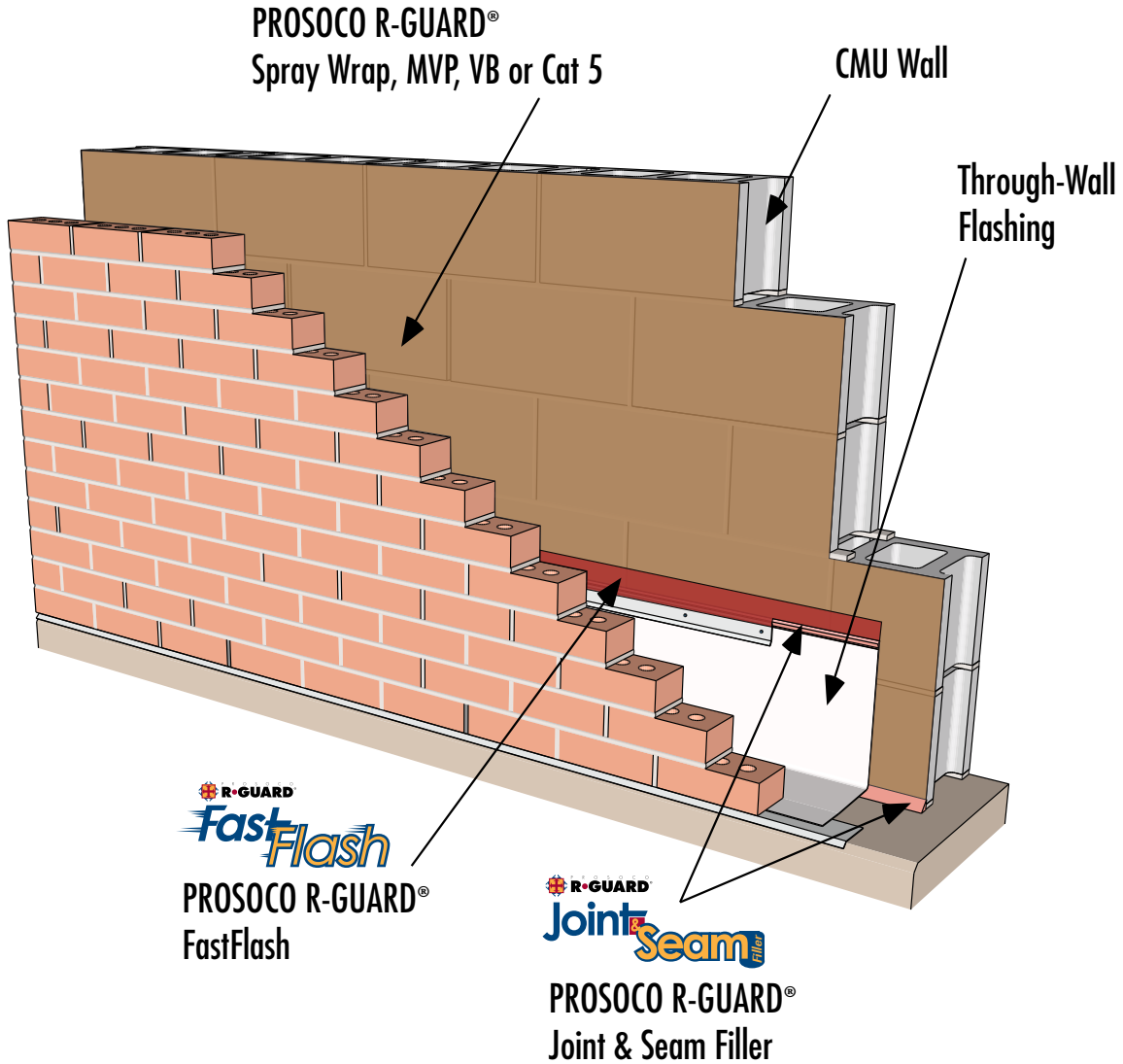


P R O S O C O
R-GUARD®

Through-Wall Flashing on CMU

www.prosoco.com

PROSOCO
SINCE 1939



Visit www.prosoco.com/RGUARDCAD.asp to download an AutoCAD .dwg of this illustration

Transition

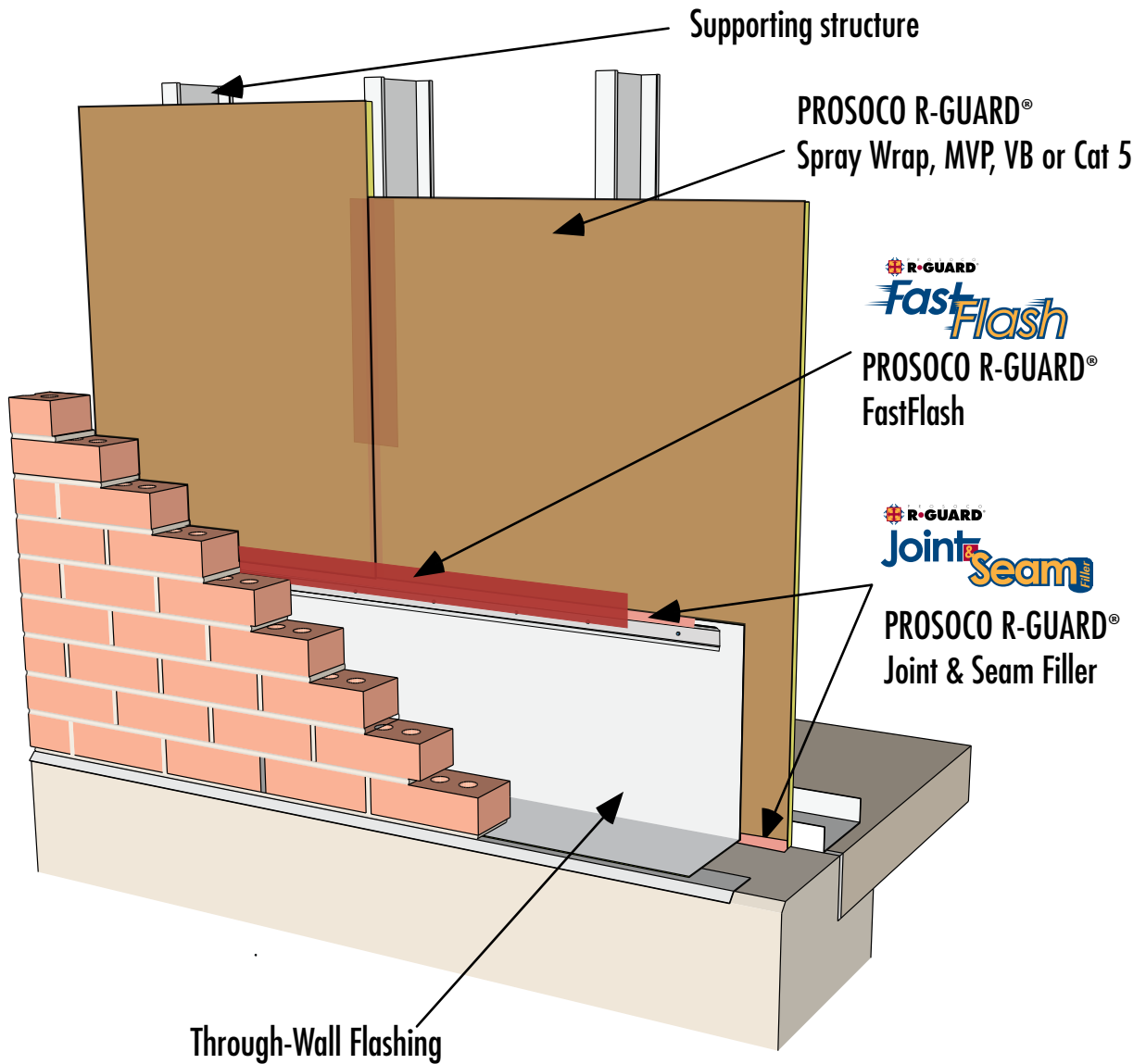


P R O S O C O
R-GUARD®

Through-Wall Flashing on Sheathing

www.prosoco.com

PROSOCO
SINCE 1939



Visit www.prosoco.com/RGUARDCAD.asp to download an AutoCAD .dwg of this illustration

Transition

Through-Wall Flashing on a Spandrel Construction



P R O S O C O
R-GUARD®

www.prosoco.com

PROSOCO
SINCE 1939

