

# Big Foot® Fast Fix Stands

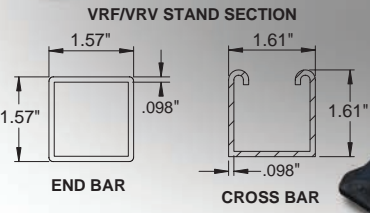
Mini-split and VRF/VRV Condenser Stands



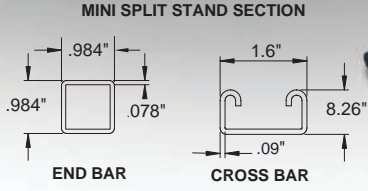
**BIG FOOT®**  
 SYSTEMS



**VRF / VRV**  
 6 skus cover all VRF units.



**MINI-SPLIT**  
 3 skus cover all mini-splits



- Strong and sturdy base for individual or multiple units.
- Rugged ASTM-A36 galvanized steel corrosion resistant support.
- More corrosion resistant than competitor stands.
- Pre-boxed – quick assembly.

- Base extensions allow unlimited mounting possibilities.





## Fast Fix Stands

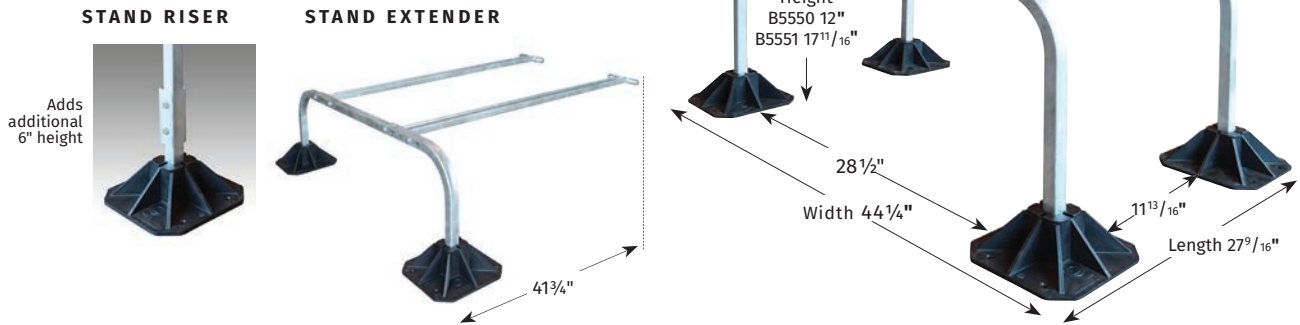
### Mini-split Stand Range - 3 skus cover all mini-splits

Code	Description	Load lbs.	Wt. lbs.	Qty.
87686	B5550 12" Mini-split stand kit	385	44	1
87630	B5551 18" Mini-split stand kit	385	49	1
87632	B5555 Riser – 4 pk.	-	3	1

Code	Description	Load lbs.	Wt. lbs.	Qty.
87631	B5554 Extender	385	42	1
87633	B5562 Riser – 2 pk.	-	2	1

#### B5550 and B5551 SYSTEM COMPONENTS

(4) 8 in (200mm) Footings. (2) End Bar. (2) Cross Bar.  
(4) Unit Clamp/Fixing Kit.



## Fast Fix Stands

### VRF/VRV Stand Range - 6 skus cover all VRF/VRV units

Code	Description	Load lbs.	Wt. lbs.	Qty.
87634	B5556 VRF 990 stand kit	1,323	77	1
87636	B5557 VRF 1290 stand kit	1,102	84	1
87638	B5558 VRF 1450 stand kit	882	90	1

Code	Description	Load lbs.	Wt. lbs.	Qty.
87635	B5559 VRF 990E Extender	1,323	55	1
87637	B5560 VRF 1290E Extender	1,102	62	1
87639	B5561 VRF 1450E Extender	882	68	1

#### 990/1290/1450 SYSTEM COMPONENTS

(4) 8 in (200mm) Footings. (2) End Bar. (2) Cross Bar.  
(4) Unit Clamp/Fixing Kit.



Rectorseal® 2601 Spenwick Drive - Houston, TX 77055 800-231-3345 rectorseal.com

A CSW Industrials Company. Rectorseal, the logos and other trademarks are property of Rectorseal, LLC, its affiliates or its licensor's and are protected by copyright, trademark and other intellectual property laws, and may not be used without permission. Rectorseal reserves the right to change specifications without prior notice. Big Foot Systems is a registered trademark of Aspen Pumps Limited Company UK. ©2019 Rectorseal. All rights reserved. R50474-0719