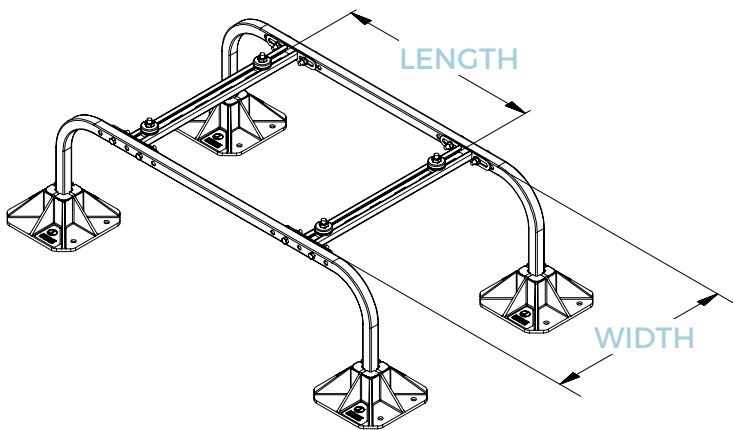




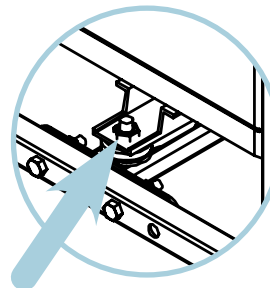
Mini Split Stand Range

UNIT SIZE GUIDE

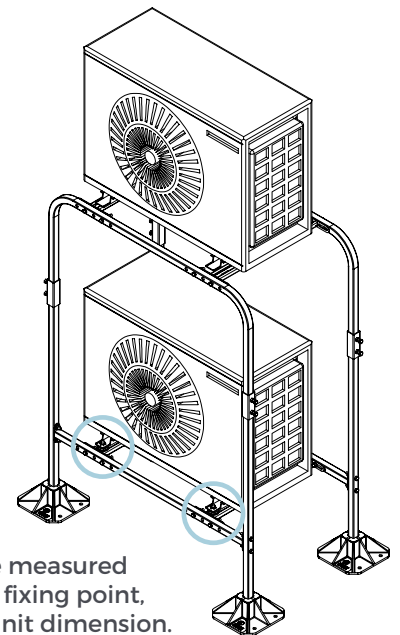
Description	Part no.	Min. Unit Length (*position of fixing point)		Max. Unit Length (*position of fixing point)		Max. Unit Width (*position of fixing point)		Max. Load	
		Inches	mm	Inches	mm	Inches	mm	Lbs	Kg
Low	B5550	16 ½	419	24 ¾	619	18 ¼	475	385	175
High	B5551	16 ½	419	24 ¾	619	18 ¼	475	385	175
Tower	B5552	16 ½	419	24 ¾	619	18 ¼	475	661	300
Low Extender	B5553	16 ½	419	24 ¾	619	37 ½	950	385	175
High Extender	B5554	16 ½	419	24 ¾	619	37 ½	950	385	175



PLEASE NOTE:



* The unit size should be measured from the position of the fixing point, rather than the overall unit dimension.

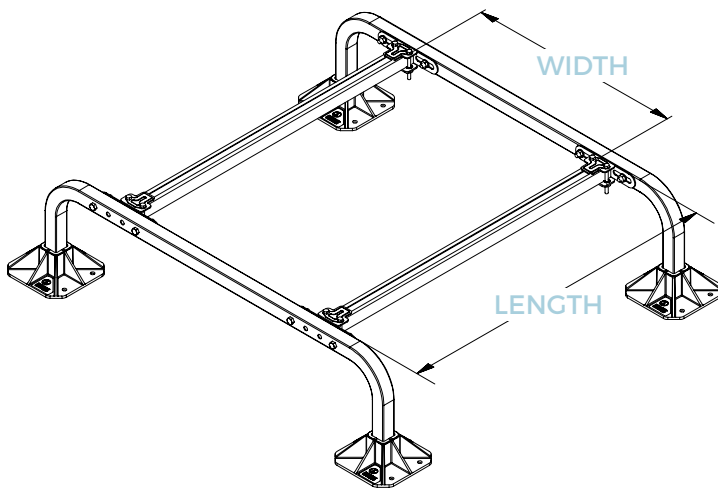




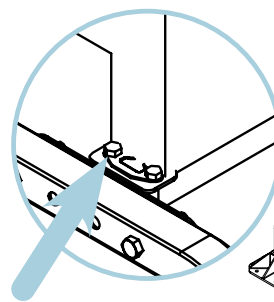
VRF/VRV Stand Range

UNIT SIZE GUIDE

Description	Part no.	Max. Unit Length (*position of fixing point)		Min. Unit Width (*position of fixing point)		Max. Unit Width (*position of fixing point)		Max. Load	
		Inches	mm	Inches	mm	Inches	mm	Lbs	Kg
38" Frame	B5556	32 5/8	990	24 3/8	620	30 1/16	780	1323	600
51" Frame	B5557	44 1/2	1290	24 3/8	620	30 1/16	780	1102	500
57" Frame	B5558	50 3/4	1450	24 3/8	620	30 1/16	780	882	400
38" Extender	B5559	32 5/8	990	24 3/8	620	30 1/16	780	1323	600
51" Extender	B5560	44 1/2	1290	24 3/8	620	30 1/16	780	1102	500
57" Extender	B5561	50 3/4	1450	24 3/8	620	30 1/16	780	882	400



PLEASE NOTE:



* The unit size should be measured from the position of the fixing point, rather than the overall unit dimension.

