



A CSW Industrials Company

# PRODUCT DATA SHEET

## METACAULK® 1000 Highly Intumescent Firestop Sealant

### Description

Metacaulk® 1000 is a single component, general purpose fire rated sealant and smoke seal for construction joints and through-penetrations. Metacaulk 1000 is a water based, extremely intumescent, non-sag caulking grade sealant that is easy to apply. It cures to an elastomeric seal that is suitable where dynamic movement is expected.

In the event of a fire, Metacaulk 1000 will prevent the spread of flames, smoke, hot gases and water through joint openings and through-penetrations. Metacaulk 1000 systems are rated for 1, 2, 3 and 4 hours in accordance with the ASTM E814 (UL1479), ASTM E1966 (UL 2079) and CAN/ULC-S115 test standards. Metacaulk 1000 is protected in a wet stage as well as in a dry stage against mold growth with a combination of biocides. Tested by a third party independent laboratory to the ASTM G21 standard with Fungal Growth Rating results of zero.



### Applications

Metacaulk 1000 can be used in interior applications as a general purpose fire rated sealant and smoke seal for construction joints, through penetrations and blank openings on both vertical and horizontal surfaces. Use Metacaulk 1000 to prevent the spread of fire and smoke through joints in fire rated gypsum wallboard partitions, concrete block or concrete walls and/or concrete or corrugated steel deck floor/ceiling assemblies. Metacaulk 1000 is also an excellent fire rated acoustical sealant and can be used in areas under constant vibration or movement to reduce the transfer of noise through assemblies. Metacaulk 1000 can also be used on various penetrations such as EMT, telephone & power cables, insulated pipes, etc. in concrete floors and walls, gypsum walls as well as wood floors.

### Characteristics | Features

- Water based
- Excellent freeze-thaw
- Flexible set
- Highly intumescent
- Paintable
- VOC compliant
- Safe and easy to use
- 3 Year shelf life

### Packaging

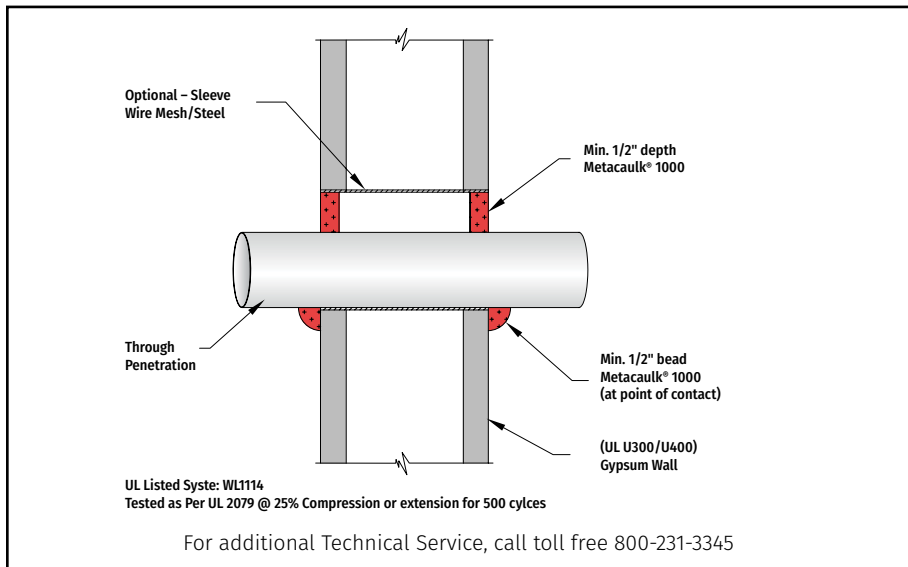
Code	Size	Qty. per Case	Dimensions (in)	Cubic Feet
66640	10.3 oz cartridge	12	8x6x12	.34
66312	20.2 oz foil pack	12	9x14x7	.51
66303	30 oz. cartridge	12	11x9x17	.97
66309	5 Gallon	1	13 dia x14	1.08

# METACALK® 1000

Highly Intumescent Firestop Sealant

## Installation Data

Install Metacalk 1000 using standard caulking techniques or trowel from pails. Metacalk 1000 may also be pumped from the pails. When damming materials are needed, use only materials approved for the specific application.



### TYPICAL TOP OF WALL INSTALLATION

**Step 1** Gun, trowel or pump the sealant as required to the specified depth. Properly tool sealant surface flush with the wall.

Consult UL Directory for complete instructions and system listings.

## Testing Data

For specific test criteria, refer to the UL Product iQ and Intertek Directory of Building Products or call RectorSeal

Metacalk 1000 was tested at positive pressure with a minimum 0.01 (2.5 Pa) inches water and in accordance with ASTM E814 (UL 1479), ASTM E1966 (UL 2079) and tested with a pressure differential of 50 Pa between the exposed and the unexposed surfaces with the higher pressure on the exposed side in accordance with CAN/ULC S115, S101 and S102 testing standards. Tested to the time-temperature requirements of ASTM E119 (UL 263). Tested by a third party independent laboratory to the ASTM G21 standard with Fungal Growth Rating results of zero.

Sound Transmission Class (STC) 62 - The test was performed in accordance with ASTM 90, Standard Test Method for Laboratory Measurement of Airborne Sound Transmission Loss of Building Partitions and Elements.

Complies to Required Environmental Exposure Testing of Accelerated Aging and High Humidity as per UL 1479 Fire Test of Through-Penetration Firestops.



FBC™ System Compatible\* indicates that this product has been tested, and is monitored on an ongoing basis, to assure its chemical compatibility with FlowGuard Gold®, BlazeMaster® and Corzan® piping systems and products made with TempRite® Technology. The FBC System Compatible Logo, FBC™, FlowGuard Gold®, BlazeMaster®, Corzan® and TempRite® are trademarks of Lubrizol Advanced Materials, Inc. or its affiliates. Suggestions and recommendations covering the use of our products are based on our past experience and laboratory findings. However, as we have no control as to the methods and conditions of application, we only assume responsibility for the uniformity of our products within manufacturing tolerances.

## Material Properties

Asbestos Fillers	None
Solvents	None
Hazardous Ingredients	None
Application	Caulking Gun or Trowel
Application Temperature between	40°F - 120°F 4°C - 49°C

### Activation of Intumescence:

Expansion Begins	375°F (190°C)
Expansion Greatest	575°F - 1100°F 302°C - 593°C

Color	Red
Cure Time	3 to 4 weeks (at 77°F/25°C)
Density	~11 lbs/gal ~1.32 kg/L
Elastomeric	Yes
Freeze/Thaw	Excellent
Skin Over Time	30 min. (at 77°F/25°C)
pH Value	6.5 to 7

### Volume Coverage:

for 10.3 oz. tube	18 cu. in. (304 ml)
for 20.2 oz. foil packs	36 cu. in. (597 ml)
for 30 oz. tube	54 cu. in. (887 ml)
for 5 gallon	1155 cu. in. (18.9 liter)

VOC	< 10 g/L
-----	----------

### ASTM E 84, UL 723 Tunnel Test

Flame Spread	0
Smoke Index	0

# METACALK® 1000

## Highly Intumescent Firestop Sealant

### Inspection & Repair

RectorSeal recommends firestop system inspection is conducted during installation of the material in accordance with ASTM E2174 and ASTM E2393. In the event post-installation inspection and destructive sampling is necessary, RectorSeal advises repairing the damaged firestop system by replacing any material that was removed or damaged with the same product originally installed, and ensuring the assembly matches the original firestop listing. RectorSeal advises, that due to the chemical nature of firestop products and sealants, material depth should be determined by measuring the points of adhesion at the substrate bond area as sealants may decrease in size during the curing process.

### Storage & Handling

Metacaulk 1000 should be stored between 35°F (2°C) and 120° F (49° C) to obtain a 3 year shelf life.

**NOTE:** Do not dilute, no mixing is required. Best if protected from freezing. If freezing occurs, thaw completely before using. Keep products stored under protective cover in original containers.

### Limitations

Metacaulk 1000 is not designed to be used in areas under continuous immersion or in areas which would be continuously wet. Metacaulk 1000 should not be used against hot uninsulated surfaces above 300° F (149° C).

### Cautions

**FOR CHEMICAL EMERGENCY, SPILL, LEAK, FIRE, EXPOSURE OR ACCIDENT, CALL CHEMTREC-DAY OR NIGHT 1-800- 424-9300.**

**PRECAUTIONS:** Do not take internally. May be harmful if swallowed. May cause eye and skin irritation if prolonged or repeated contact occurs. Wash after handling. **FIRST AID:** For any overexposure, get immediate medical attention after first aid is given.

**EYES-**Flush 15 minutes with clean water. **SKIN-**Wash with soap and water. **INHALATION-**Remove to fresh air. **INGESTION-**Only if conscious, give large amounts of water and INDUCE VOMITING. **FIRE AND SPILLS:** Use water fog, CO<sub>2</sub>, foam, or dry chemicals. Wipe up spills to prevent footing hazard. Clean up with scrapers and water. **STORAGE AND HANDLING:** Store away from heat sources. Keep container closed. Do not reuse empty container. **KEEP OUT OF REACH OF CHILDREN.**

For additional information, refer to Safety Data Sheet



For more information on our product warranty, visit [rectorseal.com](http://rectorseal.com).

Manufactured by

**RectorSeal, LLC**

**2601 Spenwick Drive • Houston, TX 77055, USA • 800-231-3345 • Fax 800-441-0051 • [rectorseal.com](http://rectorseal.com)**

A CSW Industrials Company. RectorSeal, the logos and other trademarks are property of RectorSeal, LLC, its affiliates or its licensors and are protected by copyright, trademark and other intellectual property laws, and may not be used without permission. RectorSeal reserves the right to change specifications without prior notice. ©2025 RectorSeal. All rights reserved. R50101-0225