

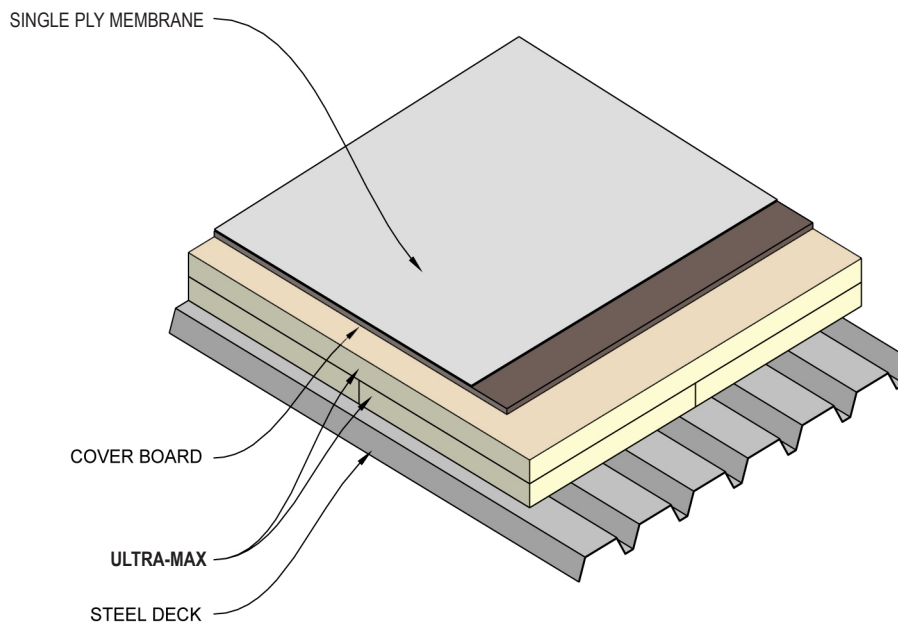
Ultra-Max® : Insulation for Above the Deck

Single Ply Application

Mechanically Attached Single Ply - Specify and install Ultra-Max® for use under all types of mechanically attached single ply membrane systems. Attach the product to the roof deck with a minimum of four (4) FM approved mechanical fasteners per four foot by eight foot (4' x 8') sheet of insulation. Rmax requires that when Ultra-Max® is used under any single-ply membrane system, it be protected by an overlay of mineral fiberboard, wood fiberboard, gypsum board or perlite. NOTE: Additional fasteners in the insulation may be required by the membrane supplier. Apply the mechanically attached membrane according to membrane supplier's specifications.

Loose Laid Ballasted Single Ply - Specify and install Ultra-Max® when installing a loose laid ballasted single ply system. Ultra-Max® is laid into position on the roof deck without fastening or otherwise securing the insulation. The membrane and ballast are then installed according to the membrane supplier's specifications. Ballast, placed at the specified rate, restrains the entire roof system. Please note that although fasteners are not required, fasteners may be necessary to hold the insulation system in place to stabilize insulation panels for the installation of the membrane and ballasting.

Refer to Ultra-Max® data sheet for additional application/installation, compliances, thermal and physical properties, limitations and warnings.



Notes:

1. Vapor retarders should be applied as required and recommended by the NRCA.

*Warranty: See Rmax "Sales Policy" and applicable warranties for terms and conditions. Rmax does not assume any responsibility or liability for the performance of any products other than those manufactured by Rmax. **NOTE: All Rmax products must be tarped, placed on skids and kept dry before and throughout construction. Requests for Certification Letters and/or special warranty considerations must be submitted to Rmax Sales prior to delivery of the products.***

2017-11