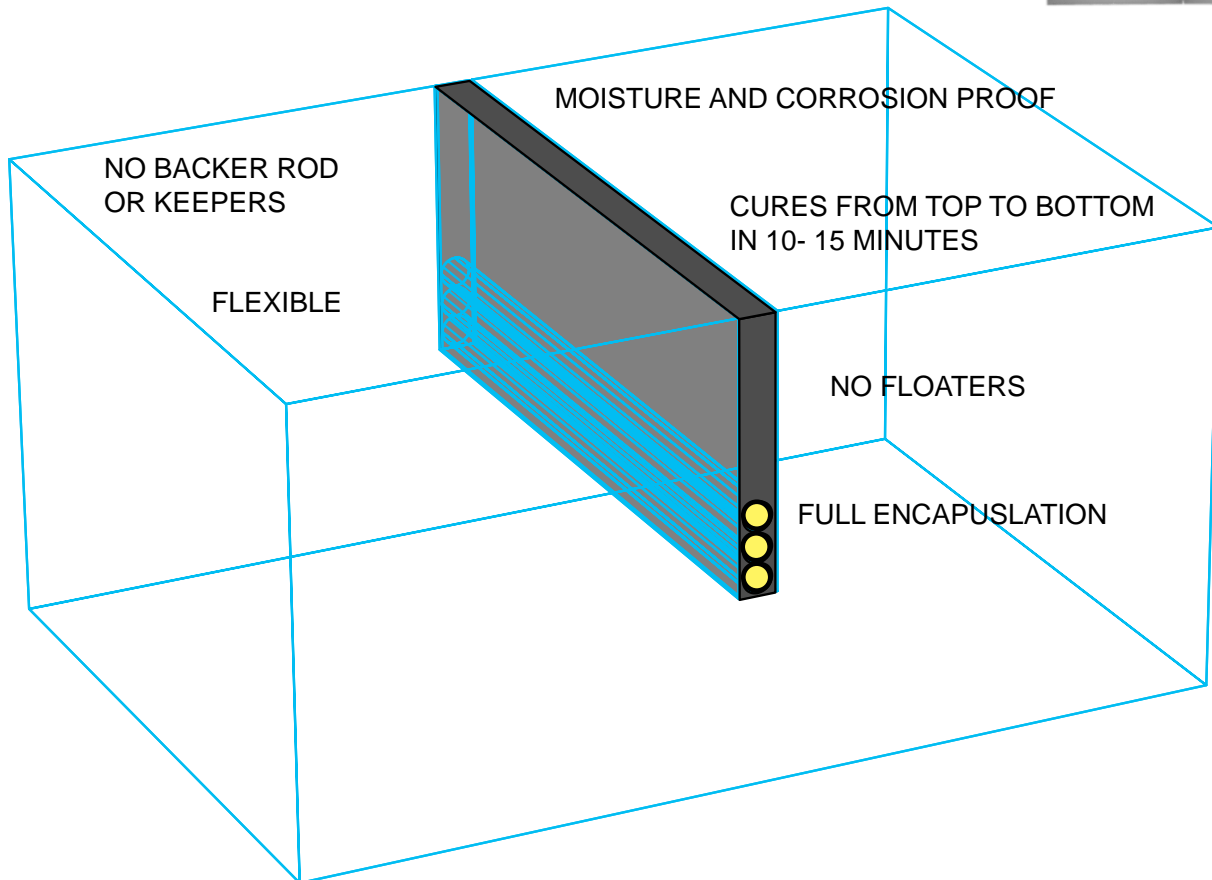
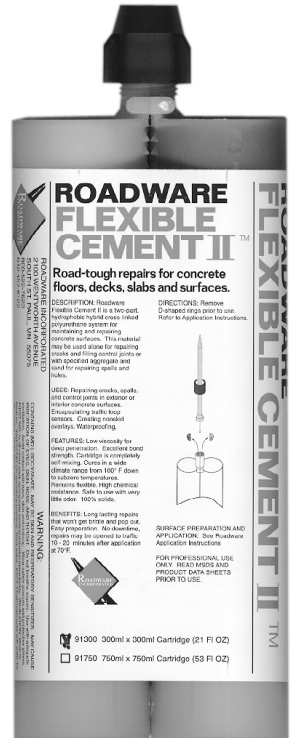


ROADWARE FLEXIBLE CEMENT II™ LOOP SEALANT APPLICATION

Roadware FLEXIBLE CEMENT II™ makes an excellent loop sealant. Simply lay electrical wires in the saw cut and flood with material supplied in easy to use duplex cartridges. In 10-15 minutes, you will have a tough flexible seal that will protect the wiring from moisture, dirt, rocks and heavy traffic.

For more information contact Roadware, Inc. at 800-522-7623



Visit our web site at: <http://www.concretemender.com>



381 Bridgepoint Way • South Saint Paul, Minnesota 55075 • 800-522-7623