



**BUILDING CODE COMPLIANCE OFFICE (BCCO)  
PRODUCT CONTROL DIVISION**

**MIAMI-DADE COUNTY, FLORIDA  
METRO-DADE FLAGLER BUILDING  
140 WEST FLAGLER STREET, SUITE 1603  
MIAMI, FLORIDA 33130-1563  
(305) 375-2901 FAX (305) 372-6339**

**NOTICE OF ACCEPTANCE (NOA)**

**www.maimidade.gov/buildingcode**

**BASF Construction Chemicals, LLC.  
3550 St. Johns Bluff Rd. South  
Jacksonville, FL 32224**

**SCOPE:**

This NOA is being issued under the applicable rules and regulations governing the use of construction materials. The documentation submitted has been reviewed by Miami-Dade County Product Control Division and accepted by the Board of Rules and Appeals (BORA) to be used in Miami Dade County and other areas where allowed by the Authority Having Jurisdiction (AHJ).

This NOA shall not be valid after the expiration date stated below. The Miami-Dade County Product Control Division (In Miami Dade County) and/or the AHJ (in areas other than Miami Dade County) reserve the right to have this product or material tested for quality assurance purposes. If this product or material fails to perform in the accepted manner, the manufacturer will incur the expense of such testing and the AHJ may immediately revoke, modify, or suspend the use of such product or material within their jurisdiction. BORA reserves the right to revoke this acceptance, if it is determined by Miami-Dade County Product Control Division that this product or material fails to meet the requirements of the applicable building code.

This product is approved as described herein, and has been designed to comply with the Florida Building Code, including the High Velocity Hurricane Zone.

**DESCRIPTION: Senergy Senerflex Channeled Adhesive over Plywood (EIF) System.**

**APPROVAL DOCUMENT:** Drawing titled "Senergy Assembly Detail for Senerflex Channeled Adhesive Design Wall System with Senershield-R over Plywood and 2x4 Wood Frame", sheets 1 through 3 of 3, dated 03/07/08, prepared by BASF Construction Chemicals, LLC, signed and sealed by R. E. Kroll, P.E., bearing the Miami-Dade County Product Control approval stamp with the Notice of Acceptance number and approval date by the Miami-Dade County Product Control Division.

**MISSILE IMPACT RATING: Large and Small Missile Impact Resistant**

**LABELING:** Each unit shall bear a permanent label with the manufacturer's name or logo, city, state and following statement: "Miami-Dade County Product Control Approved", unless otherwise noted herein.

**RENEWAL** of this NOA shall be considered after a renewal application has been filed and there has been no change in the applicable building code negatively affecting the performance of this product.

**TERMINATION** of this NOA will occur after the expiration date or if there has been a revision or change in the materials, use, and/or manufacture of the product or process. Misuse of this NOA as an endorsement of any product, for sales, advertising or any other purposes shall automatically terminate this NOA. Failure to comply with any section of this NOA shall be cause for termination and removal of NOA.

**ADVERTISEMENT:** The NOA number preceded by the words Miami-Dade County, Florida, and followed by the expiration date may be displayed in advertising literature. If any portion of the NOA is displayed, then it shall be done in its entirety.

**INSPECTION:** A copy of this entire NOA shall be provided to the user by the manufacturer or its distributors and shall be available for inspection at the job site at the request of the Building Official. This NOA consists of this page 1 and evidence page E-1, as well as approval document mentioned above. The submitted documentation was reviewed by **Carlos M. Utrera, P.E.**



*[Handwritten Signature]*  
9/8/07

**NOA No. 08-0807.16  
Expiration Date: October 2, 2013  
Approval Date: October 2, 2008  
Page 1**

**NOTICE OF ACCEPTANCE: EVIDENCE SUBMITTED**

**A. DRAWINGS**

1. Drawing titled "Senergy Assembly Detail for Senerflex Channeled Adhesive Design Wall System with Senersshield-R over Plywood and 2x4 Wood Frame", sheets 1 through 3 of 3, dated 03/07/08, prepared by BASF Construction Chemicals, LLC, signed and sealed by R. E. Kroll, P.E.

**B. TESTS**

1. Test reports on 1) Air Infiltration Test, per FBC, TAS 202-94  
2) Uniform Static Air Pressure Test, Loading per FBC TAS 202-94  
3) Water Resistance Test, per FBC, TAS 202-94  
5) Cyclic Wind Pressure Loading per FBC, TAS 203-94  
along with marked-up drawings and installation diagram of Senergy Senerflex Channeled Adhesive Design Wall (EIF) System, prepared by Hurricane Test Laboratory, LLC, Test Report No. **0469-0708-07**, dated 06/30/08, signed and sealed by Vinu J. Abraham, P.E.

**C. CALCULATIONS**

1. None.

**D. QUALITY ASSURANCE**

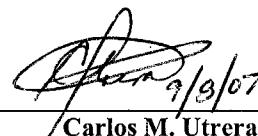
1. Miami Dade Building Code Compliance Office (BCCO).

**E. MATERIAL CERTIFICATIONS**

1. Notice of Acceptance No. **06-1004.06**, issued to Dyplast Products LLC., for their EPS Block Type Insulation, approved on 11/09/06, and expiring on 12/20/11.

**F. STATEMENTS**

1. Laboratory compliance letter for Test Report No. **0469-0708-07**, issued by Hurricane Test Laboratory, LLC, dated 06/30/08, signed and sealed by Vinu J. Abraham, P.E.



Carlos M. Utrera, P.E.  
Product Control Examiner  
NOA No. 08-0807.16

Expiration Date: October 2, 2013  
Approval Date: October 2, 2008

Assembly Detail for Senerflex Channeled Adhesive Design Wall System with Senershield-R over Plywood and 2 x 4 Wood Frame

REVISIONS DATES

FLORIDA P.E.: R.E. KROLL  
REGISTRATION NO.: 38477

*Revised  
7/14/08*

FOR OFFICE USE

Approved as complying with the Florida Building Code  
Date 10/02/2008  
NOAH 08-0307.16  
Miami Dade Product Control Division  
By *[Signature]*

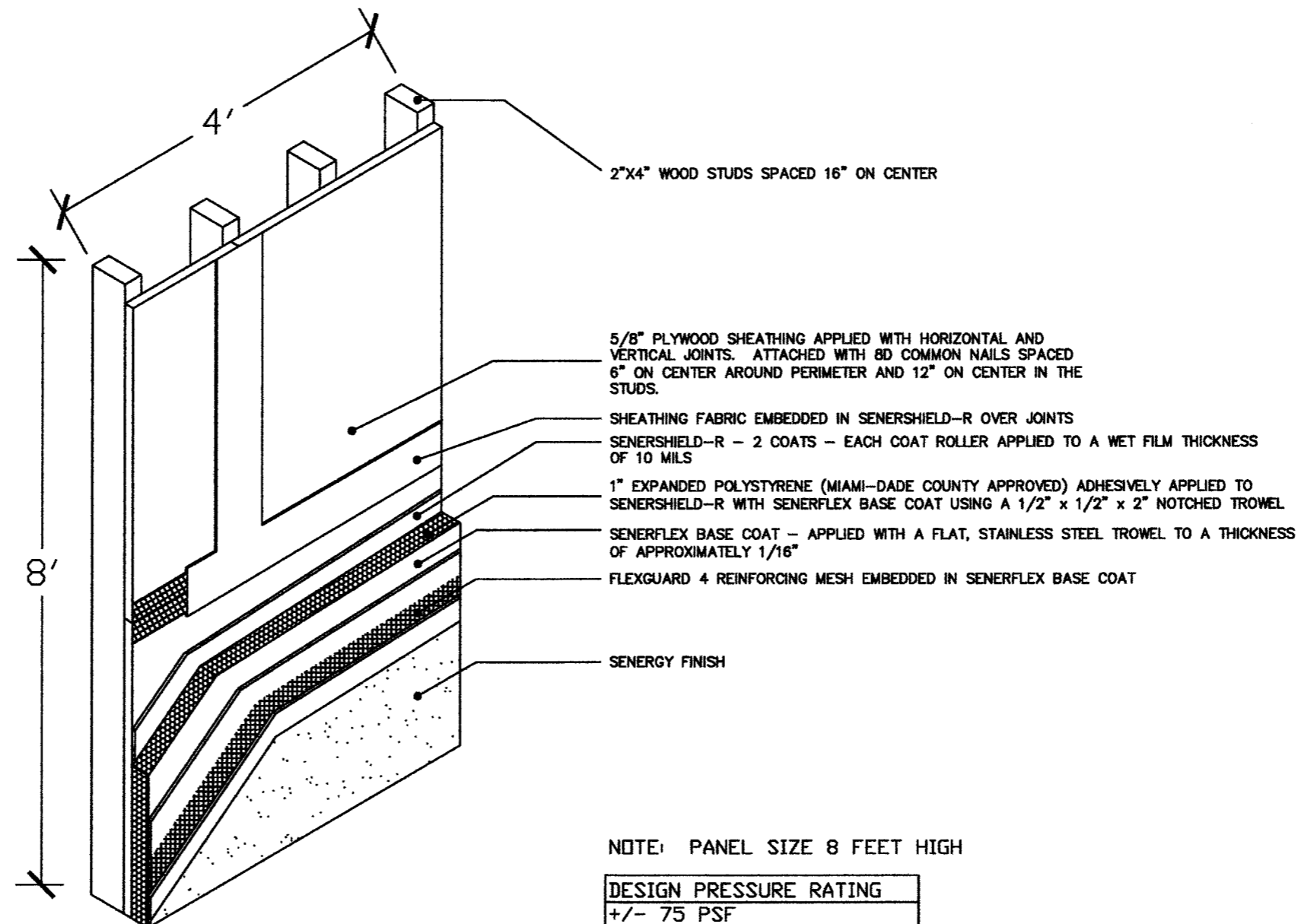
BASF Construction Chemicals LLC  
3550 St Johns Bluff Rd South  
Jacksonville, FL 32224  
800-221-9255

**APPLICATION NOTES**

- 1) SHEATHING FABRIC IS EMBEDDED IN SENERSHIELD-R AT SHEATHING JOINTS. SHEATHING FASTENERS ARE SPOTTED WITH SENERSHIELD-R.
- 2) APPLY 2 COATS OF SENERSHIELD-R TO SHEATHING SURFACE UNIFORMLY AT 10 MILS WET EACH. ALLOW FIRST COAT TO DRY PRIOR TO SECOND COAT APPLICATION.
- 3) SENERFLEX BASE COAT IS MIXED AT THE TIME OF USE WITH PORTLAND CEMENT (1 TO 1 BY WEIGHT) AND WATER WITH PADDLE AND DRILL TO A HOMOGENEOUS CONSISTENCY.
- 4) SENERFLEX BASE COAT IS APPLIED TO THE BACK OF THE EPS INSULATION BOARD USING A 1/2" X 1/2" U NOTCHED TROWEL HAVING 2" FLAT SEGMENTS BETWEEN NOTCHES.
- 5) MIAMI-DADE COUNTY APPROVED EPS INSULATION HAS A DENSITY OF 1 PCF AND IT SHALL BE APPLIED HORIZONTALLY IN A RUNNING BOND PATTERN STAGGERING VERTICAL JOINTS AND CORNERS.
- 6) AFTER BASE COAT IS DRIED AND INSULATION BOARD IS RASPED TO A SMOOTH SURFACE, A LAYER OF SENERFLEX BASE COAT IS APPLIED TO THE EXPOSED SURFACE. FLEXGUARD 4 REINFORCING MESH IS EMBEDDED IN THE WET BASE COAT BY TROWELING FROM THE CENTER OUT. ALL EDGES ARE LAPPED 2 1/2 INCHES.
- 7) SENERGY FINISH IS AN ACRYLIC BASED TEXTURED EXTERIOR COATING READY MIXED FROM THE FACTORY. IT IS APPLIED WITH A STAINLESS STEEL TROWEL AND FLOATED TO A DESIRED TEXTURE.

**GENERAL NOTES**

- 1) THIS SYSTEM HAS BEEN DESIGNED IN ACCORDANCE WITH THE FLORIDA BUILDING CODE 2007 EDITION AND ITS LATEST SUPPLEMENTS.
- 2) THIS SYSTEM HAS BEEN TESTED IN ACCORDANCE WITH MIAMI-DADE COUNTY PROTOCOL TAS-202 & TAS-203 FOR STRUCTURAL AND CYCLIC TESTING.
- 3) THIS SYSTEM SHALL BE APPLIED BY A LICENSED PLASTERING CONTRACTOR FOLLOWING THIS NOTICE OF ACCEPTANCE, THE RECOMMENDATIONS OF SENERGY AND THE APPLICABLE SECTION OF THE FLORIDA BUILDING CODE.
- 4) THE ENGINEER AND/OR ARCHITECT OF RECORD FOR EACH PROJECT USING THIS SYSTEM SHALL SIZE ALL STUD FRAMING TO ENSURE CONFORMANCE WITH STUD DEFLECTION AND STRESS LIMITATIONS AS REQUIRED BY GOVERNING CODE AND THIS DOCUMENT.
- 5) DETAILS ON SHEET 2 & 3 OF 3 ARE TYPICAL AND SHOW INTENT TO PREVENT WATER INFILTRATION INTO AND BEHIND THE SYSTEM. ALTERNATE DETAILS AND SPECIFIC CONDITIONS NOT COVERED BY THE TYPICAL DETAILS ARE THE RESPONSIBILITY OF THE LICENSED DESIGN PROFESSIONAL IN CONSULTATION WITH SENERGY.



NOTE: PANEL SIZE 8 FEET HIGH

DESIGN PRESSURE RATING
+/- 75 PSF
INSTALLED OVER AN IMPACT RESISTANT SUBSTRATE

# SENERGY

DATE: 3/7/08 Page 2 of 3

Details for Senerflex Channeled Adhesive Design Wall System with Senershield-R over Plywood and 2 x 4 Wood Frame

REVISIONS	DATES

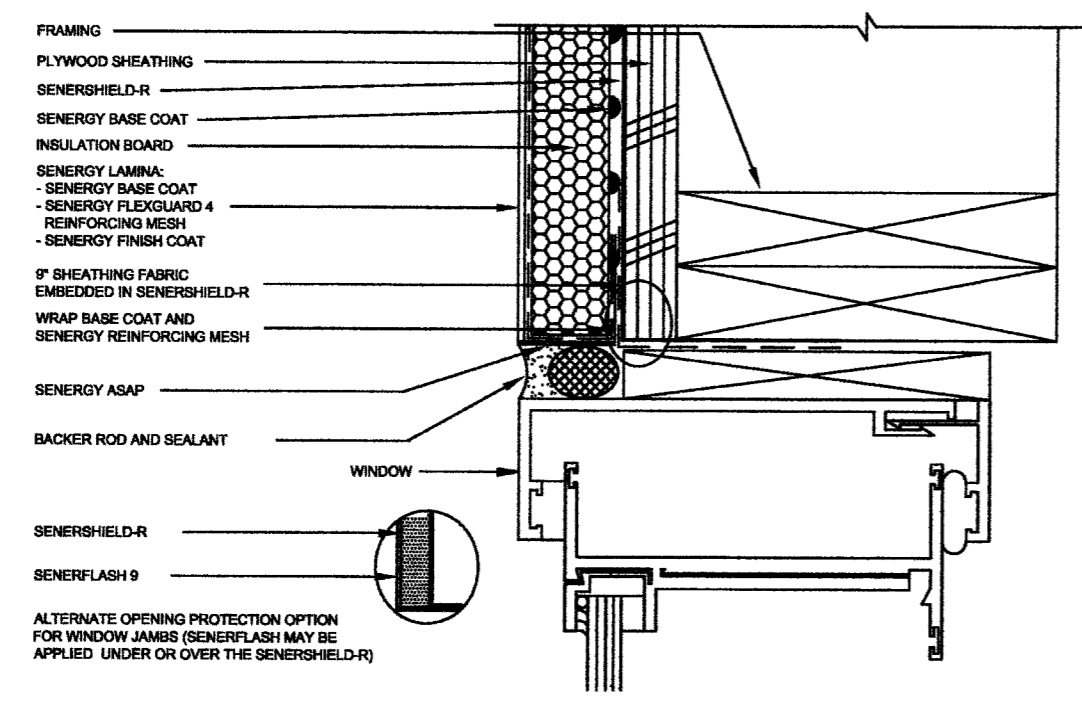
FLORIDA P.E.: R.E. KROLL  
REGISTRATION NO.: 38477

*R. Kroll*  
7/14/08

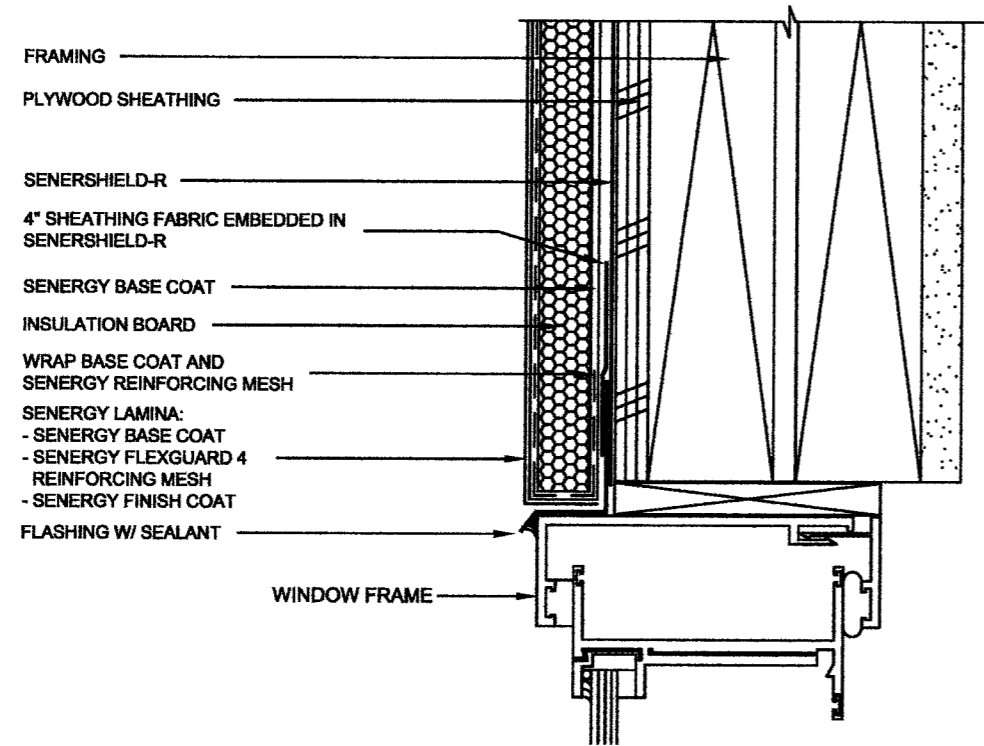
FOR OFFICE USE

Approved as complying with the Florida Building Code  
Date 10/02/2008  
NOAH DB-0807.16  
Miami Dept Product Control  
Division  
By *[Signature]*

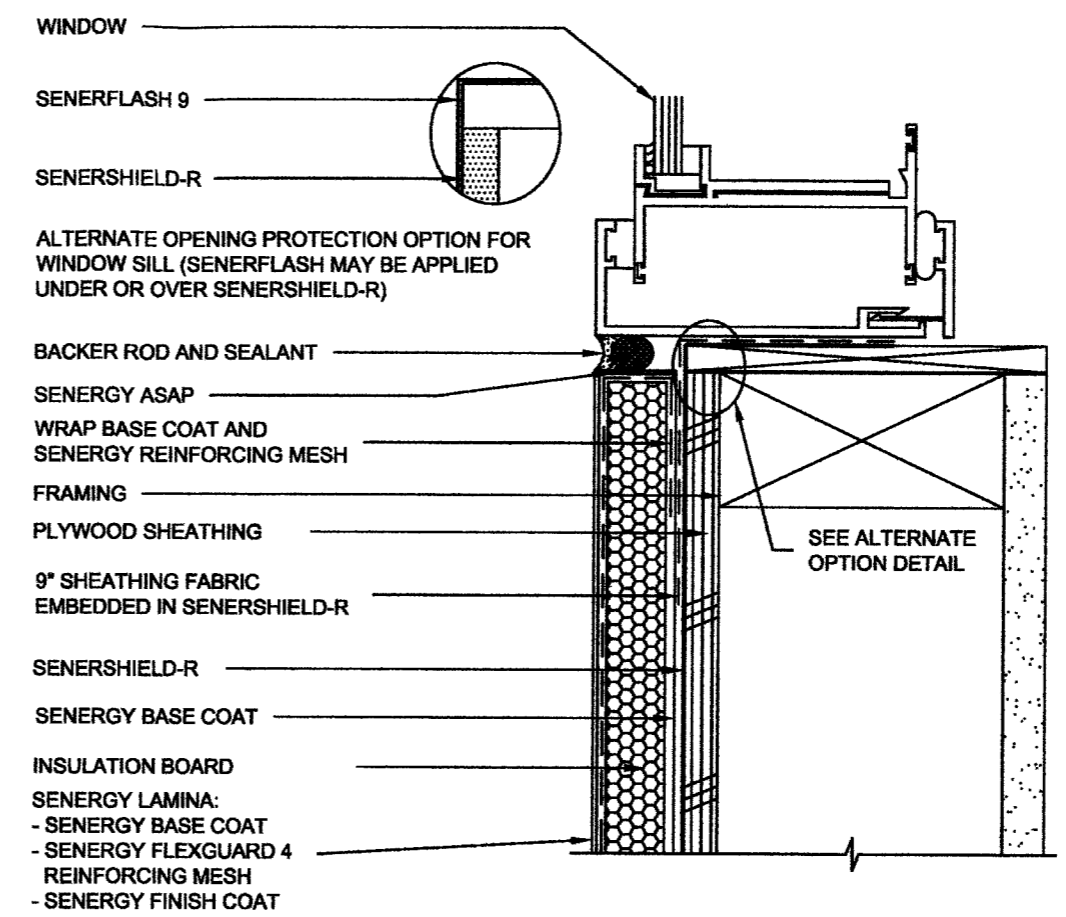
BASF Construction Chemicals LLC  
3550 St Johns Bluff Rd South  
Jacksonville, FL 32224  
800-221-9255



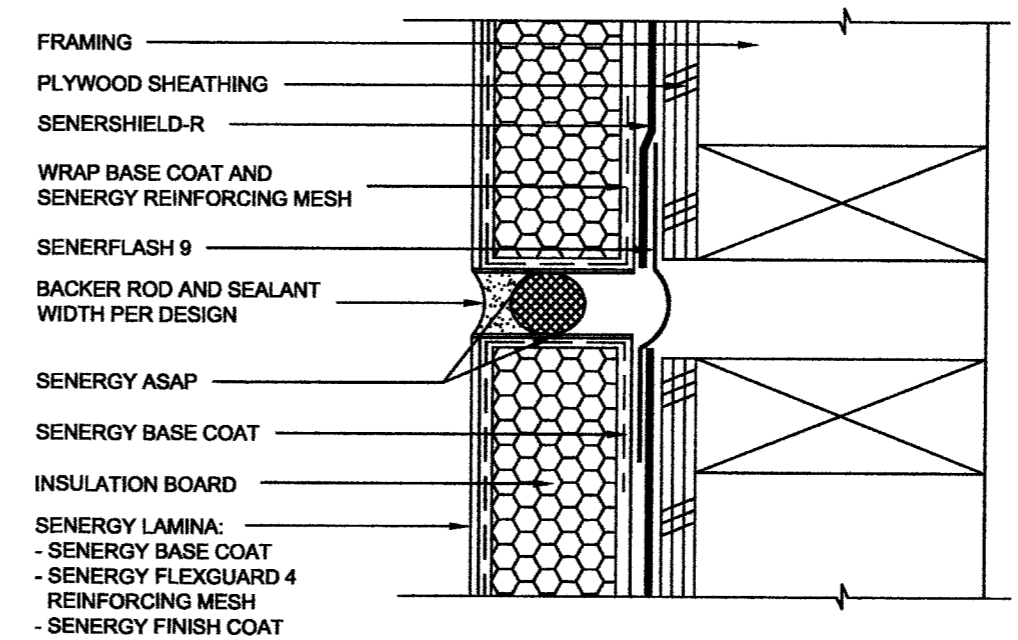
WINDOW JAMB DETAIL (FLUSH)



WINDOW HEAD (FLUSH)



WINDOW SILL DETAIL (FLUSH)



EXPANSION JOINT DETAIL

NOTE: SENERGY ASAP IS APPLIED TO SENERFLEX BASE COAT IN SEALANT JOINTS PRIOR TO APPLICATION OF SEALANT SYSTEM

Details for Senerflex Channeled Adhesive Design Wall System with Senershield-R over Plywood and 2 x 4 Wood Frame

REVISIONS DATES

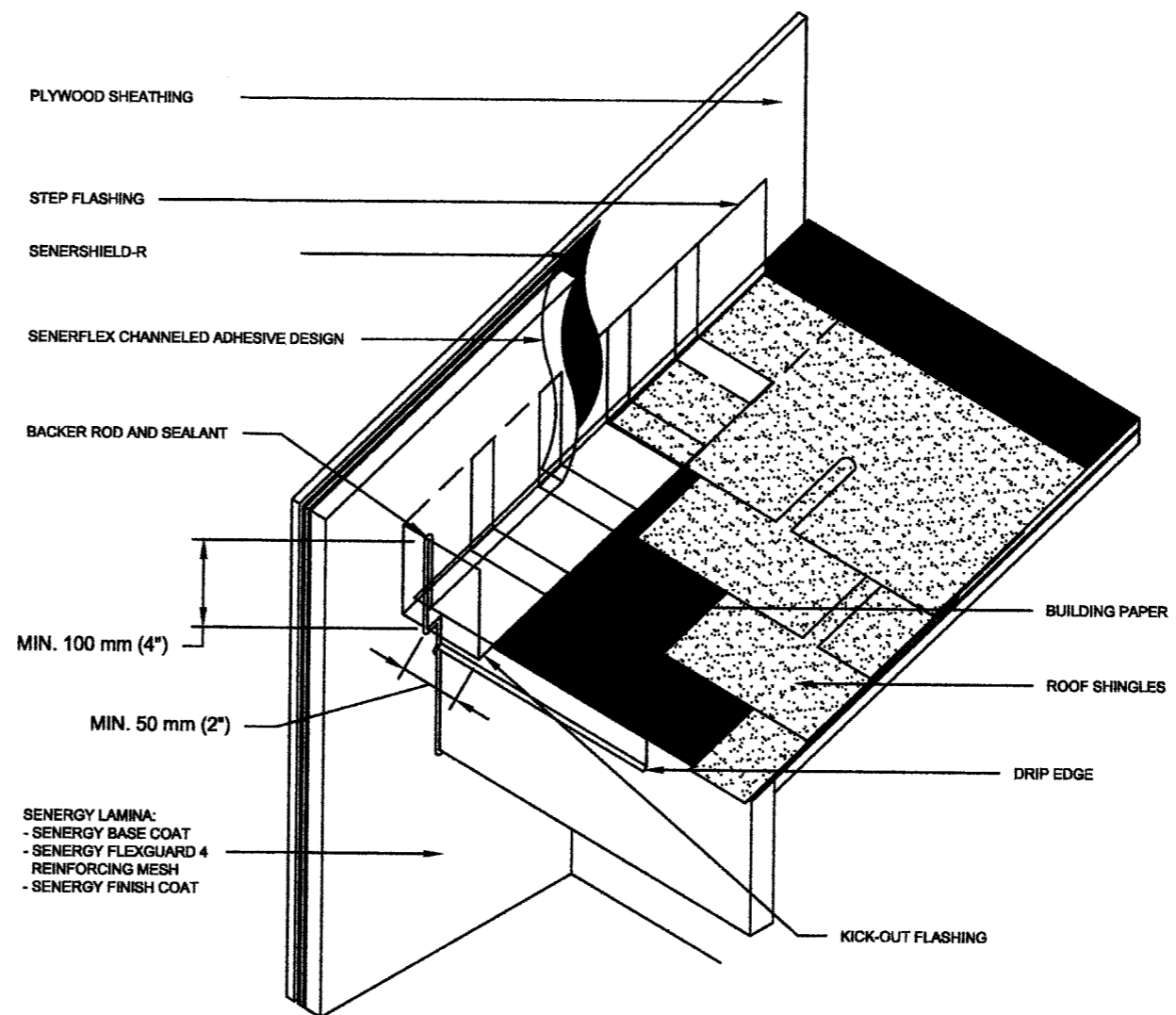
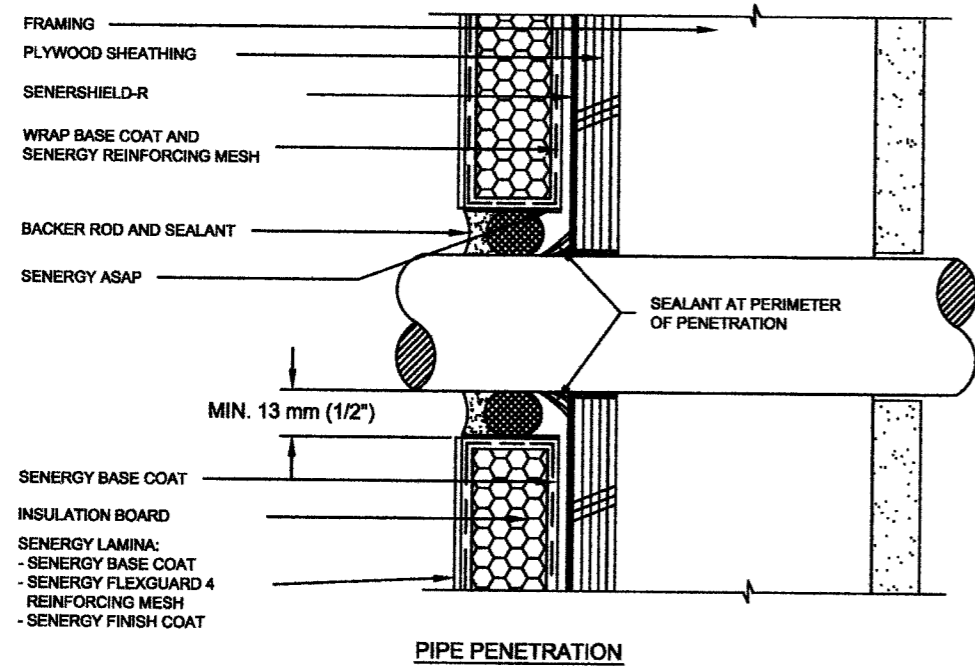
FLORIDA P.E.: R.E. KROIL  
REGISTRATION NO.: 38477

*R. Kroil*  
7/14/08

FOR OFFICE USE

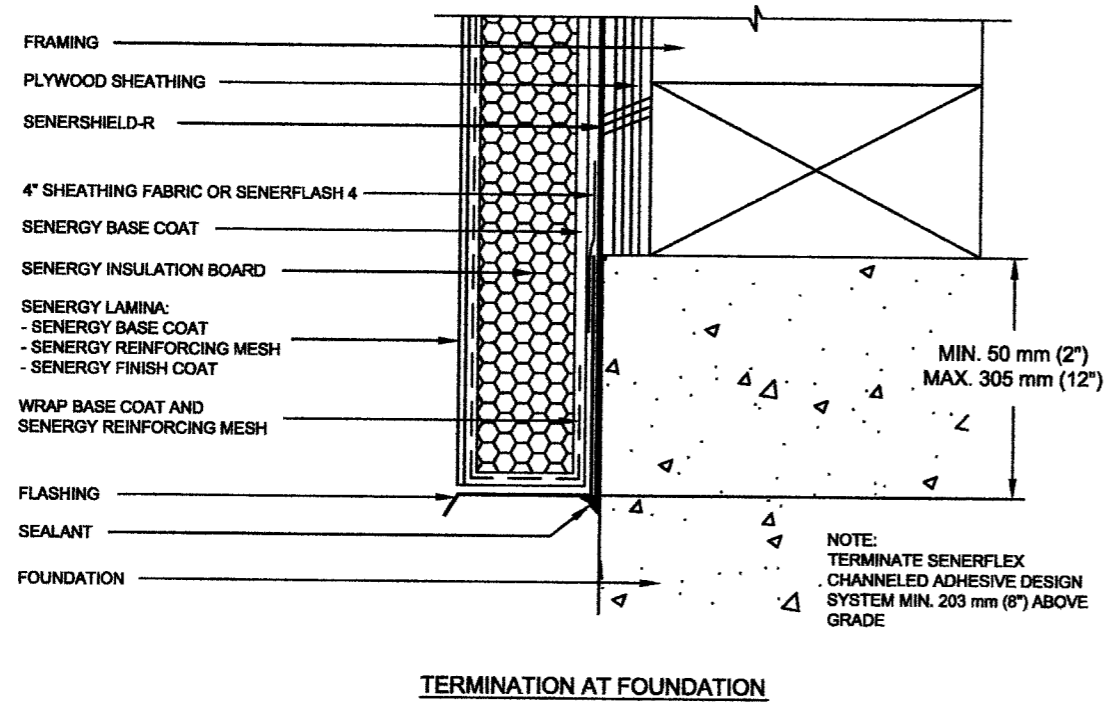
Approved as complying with the Florida Building Code  
Date 10/02/2008  
NOA# 09-0907-16  
Miami Dade Product Control  
Division  
By *[Signature]*

BASF Construction Chemicals LLC  
3550 St Johns Bluff Rd South  
Jacksonville, FL 32224  
800-221-9255



NOTE:  
- KICK-OUT FLASHING MUST BE ANGLED 100° MIN. TO ALLOW FOR PROPER DRAINAGE.  
- KICK-OUT FLASHING SEAMS MUST BE SOLDERED OR SEALED WITH APPROPRIATE SEALANT.  
- TERMINATE SENERFLEX CHANNELED ADHESIVE DESIGN MIN. 50 mm (2") ABOVE ROOF.

KICKOUT FLASHING DETAIL



NOTE: SENERGY ASAP IS APPLIED TO SENERFLEX BASE COAT IN SEALANT JOINTS PRIOR TO APPLICATION OF SEALANT SYSTEM