



***Senergy***<sup>®</sup>

## **Senershield-R/-RS/-VB**

Framed Construction Incorporating Fluid-Applied  
Senergy Air/Water-Resistive Barriers

Typical Details

A brand of  
**MASTER**<sup>®</sup>  
**» BUILDERS**  
SOLUTIONS

# Senersshield-R/-RS/-VB

## Typical Details

### Framed Construction Incorporating Fluid-Applied Senergy Air/Water-Resistive Barriers

#### Table of Contents

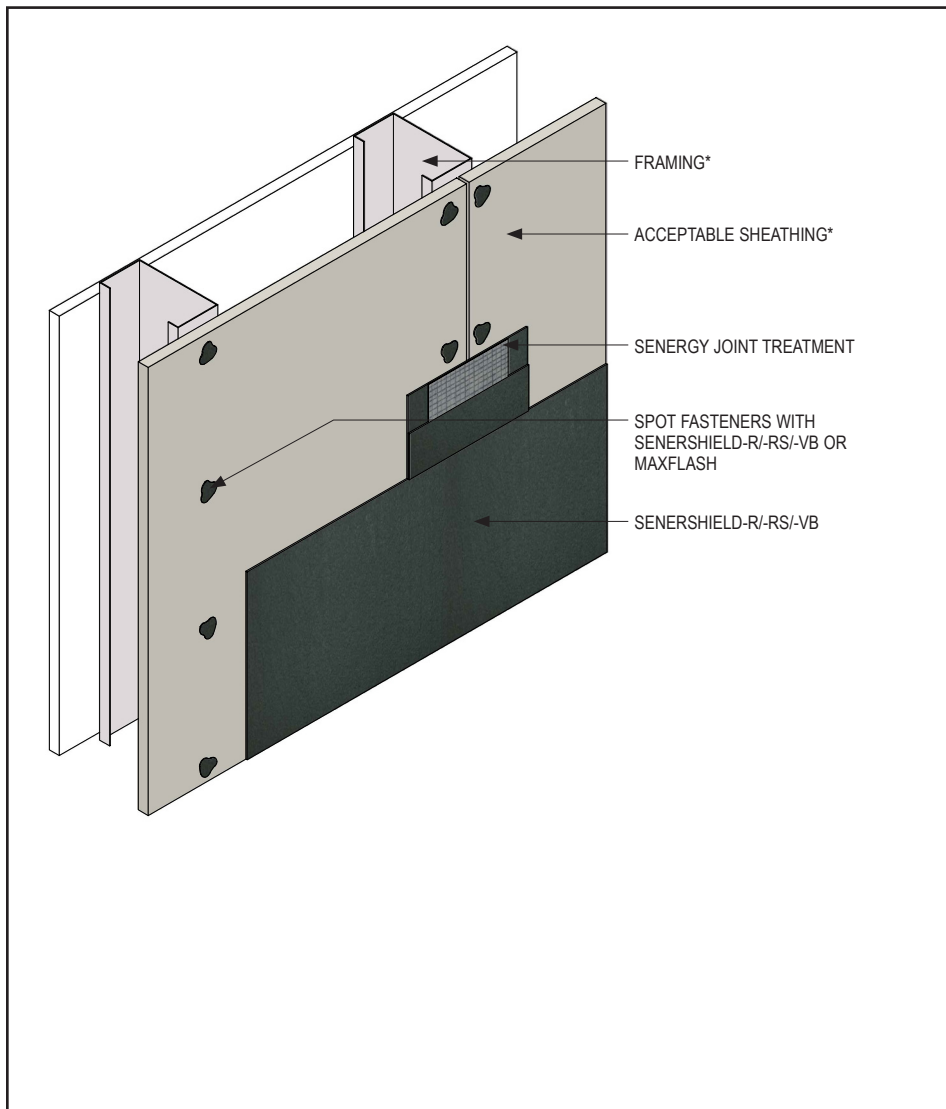
1. Typical Joint and Fastener Treatment
2. Typical Vertical Expansion Joint
3. Typical Rough Opening Corner Reinforcement
4. Typical Rough Opening Reinforcement with Sheathing Fabric
5. Typical Quick Corner Application
6. Typical Rough Opening Reinforcement with Quick Corners and Sheathing Fabric
7. Typical Rough Opening Reinforcement with Quick Corners and MasterSeal AWB 970 NP
8. Typical Penetration through Wall Construction (Sheathing Fabric Only)
9. Typical through Wall Construction (with MaxFlash or Sealant)
10. Typical Penetration through Wall Construction (Rough Cut)
11. Typical Inside Corner Change in Substrate
12. Typical Inside Corner
13. Typical Outside Corner
14. Typical Window Flange Treatment
15. Typical Window Head
16. Typical Window Jamb
17. Typical Window Sill
18. Typical Pan Flashing
19. Typical Termination at Grade – Sheathing Overlapping Foundation
20. Typical Termination at Grade – Sheathing Flush with Foundation
21. Typical Termination at Grade – Masonry Veneer
22. Typical Brick Anchor Treatment (Installed Prior to AWRB Application)
23. Typical Brick Anchor Treatment (Installed After AWRB Application)
24. Typical Brick Expansion Joint
25. Typical Termination at Grade – Brick
26. Typical Termination at Foundation with Through Wall Flashing – Brick
27. Typical Termination at Foundation incorporating a Termination Bar with Through Wall Flashing – Brick
28. Typical Through Wall Flashing at Head – Brick
29. Typical Saddle Application incorporating Sheathing Fabric
30. Typical Saddle Application incorporating WS Flash
31. Typical Kick-Out Flashing
32. Typical Roof Edge Flashing
33. Typical Roof Edge Flashing
34. Typical Parapet Cap Flashing

#### Notes:

- **Install Master Builders Solutions materials in accordance with current installation instructions.**
- **Unsatisfactory conditions shall be reported to the General Contractor and corrected before the application of Master Builders Solutions products.**
- **The details within represent Master Builders Solutions Construction Systems US, LLC (hereinafter Master Builders Solutions) latest recommendations. They are presented in good faith by Master Builders Solutions. The details are subject to change without notice. Master Builders Solutions accepts no liability for the end use of the details. For conditions not shown, consult Master Builders Solutions for review of specific detail.**

(THIS PAGE INTENTIONALLY LEFT BLANK)

## Senershield-R/-RS/-VB TYPICAL JOINT AND FASTENER TREATMENT



AWRB-01

2109

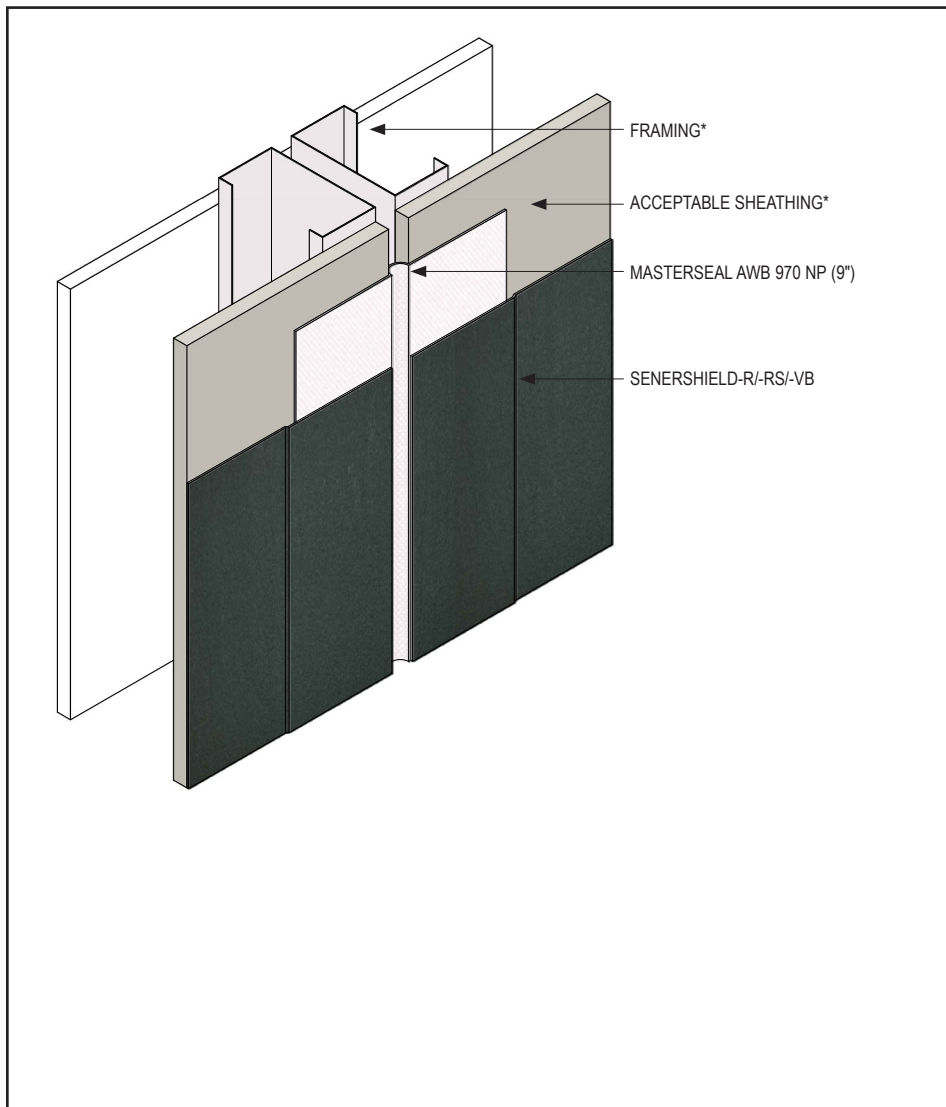
(\*NOTE: BY OTHERS)

- Install Master Builders Solutions materials in accordance with current installation instructions.
- Unsatisfactory conditions shall be reported to the General Contractor and corrected before the application of Master Builders Solutions products.
- Ensure all fastener heads are spotted with Senershield-R/-RS/-VB or MaxFlash. Spotting fasteners at sheathing joints is optional.
- For more information, reference the Air/Water-Resistive/Vapor Barrier Application Guidelines technical bulletin.
- Senergy Joint Treatment Options: MaxFlash, Sheathing Fabric embedded in Senershield-R/-RS/-VB or MasterSeal AWB 970 NP.
- Sheathing Fabric, MaxFlash and MasterSeal AWB 970 NP are produced by Master Builders Solutions.
- Sheathing Fabric can treat joints up to 1/4" wide. MaxFlash can treat joints up to 1/2" wide.

Note: Not for use at expansion joints.

This detail represents Master Builders Solutions Construction Systems US, LLC (hereinafter Master Builders Solutions) latest recommendations. It is presented in good faith by Master Builders Solutions. The detail is subject to change without notice. Master Builders Solutions accepts no liability for the end use of the detail. For conditions not shown, consult Master Builders Solutions for review of specific detail.

## Senershield-R/-RS/-VB TYPICAL VERTICAL EXPANSION JOINT



- Install Master Builders Solutions materials in accordance with current installation instructions.
- Unsatisfactory conditions shall be reported to the General Contractor and corrected before the application of Master Builders Solutions products.
- Provide sufficient slack in the MasterSeal AWB 970 NP at expansion joint to allow for movement.
- Fully Coat MasterSeal AWB 970 NP with Senershield-R/-RS/-VB.

AWRB-02

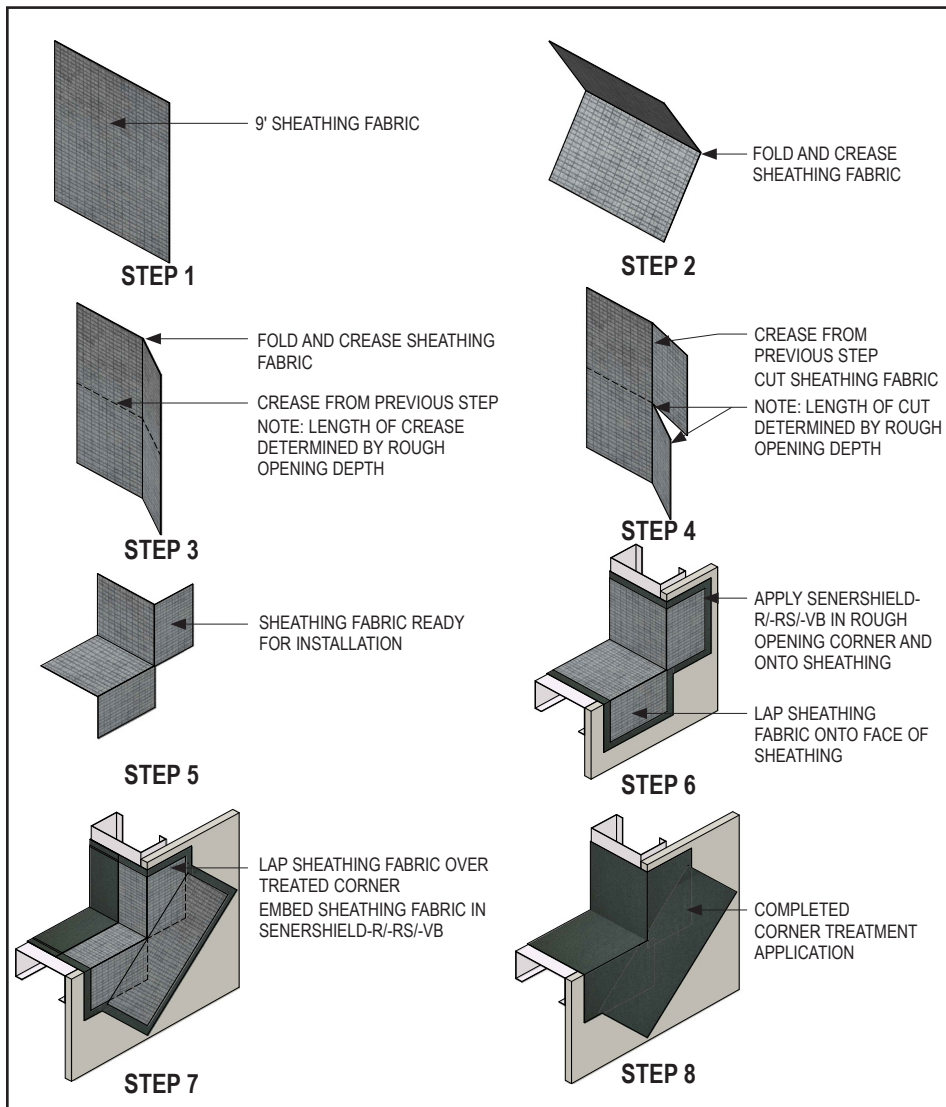
2109

(\*NOTE: BY OTHERS)

This detail represents Master Builders Solutions Construction Systems US, LLC (hereinafter Master Builders Solutions) latest recommendations. It is presented in good faith by Master Builders Solutions. The detail is subject to change without notice. Master Builders Solutions accepts no liability for the end use of the detail. For conditions not shown, consult Master Builders Solutions for review of specific detail.



## Senershield-R/-RS/-VB TYPICAL ROUGH OPENING CORNER REINFORCEMENT



AWRB-03

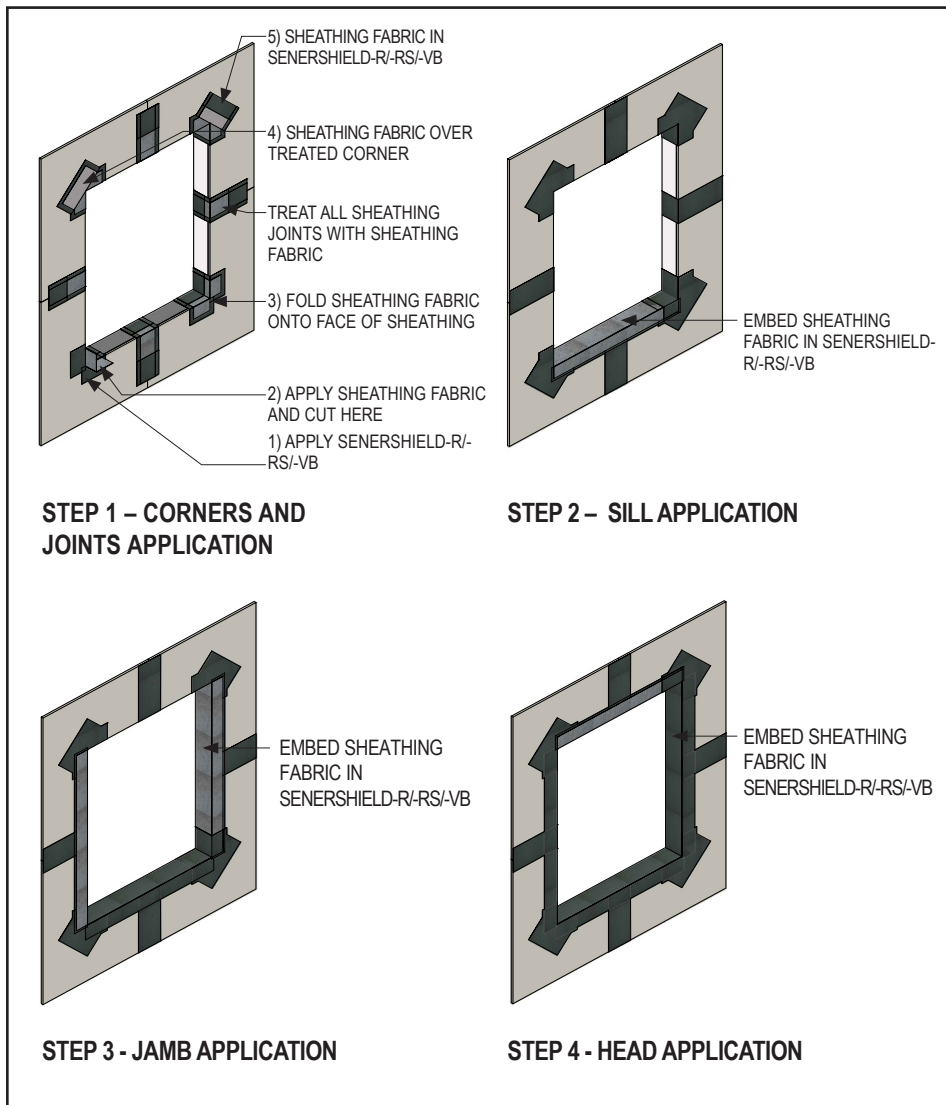
2109

(\*NOTE: BY OTHERS)

- Install Master Builders Solutions materials in accordance with current installation instructions.
- Unsatisfactory conditions shall be reported to the General Contractor and corrected before the application of Master Builders Solutions products.
- Install Master Builders Solutions materials in accordance with current installation instructions.
- Wrap rough opening in accordance with Detail AWRB-04, AWRB-06 or AWRB-07
- Sheathing Fabric is produced by Master Builders Solutions.

This detail represents Master Builders Solutions Construction Systems US, LLC (hereinafter Master Builders Solutions) latest recommendations. It is presented in good faith by Master Builders Solutions. The detail is subject to change without notice. Master Builders Solutions accepts no liability for the end use of the detail. For conditions not shown, consult Master Builders Solutions for review of specific detail.

## Senershield-R/-RS/-VB TYPICAL ROUGH OPENING REINFORCEMENT WITH SHEATHING FABRIC



- Install Master Builders Solutions materials in accordance with current installation instructions.
- Unsatisfactory conditions shall be reported to the General Contractor and corrected before the application of Master Builders Solutions products.
- Install Master Builders Solutions materials in accordance with current installation instructions.
- Ensure Sheathing Fabric is embedded in Senershield-R/-RS/-VB.
- Ensure Senershield-R/-RS/-VB and Sheathing Fabric are installed without voids and pinholes.
- Apply MasterSeal AWB 970 NP over punched stud openings.
- Sheathing Fabric and MasterSeal AWB 970 NP are produced by Master Builders Solutions.

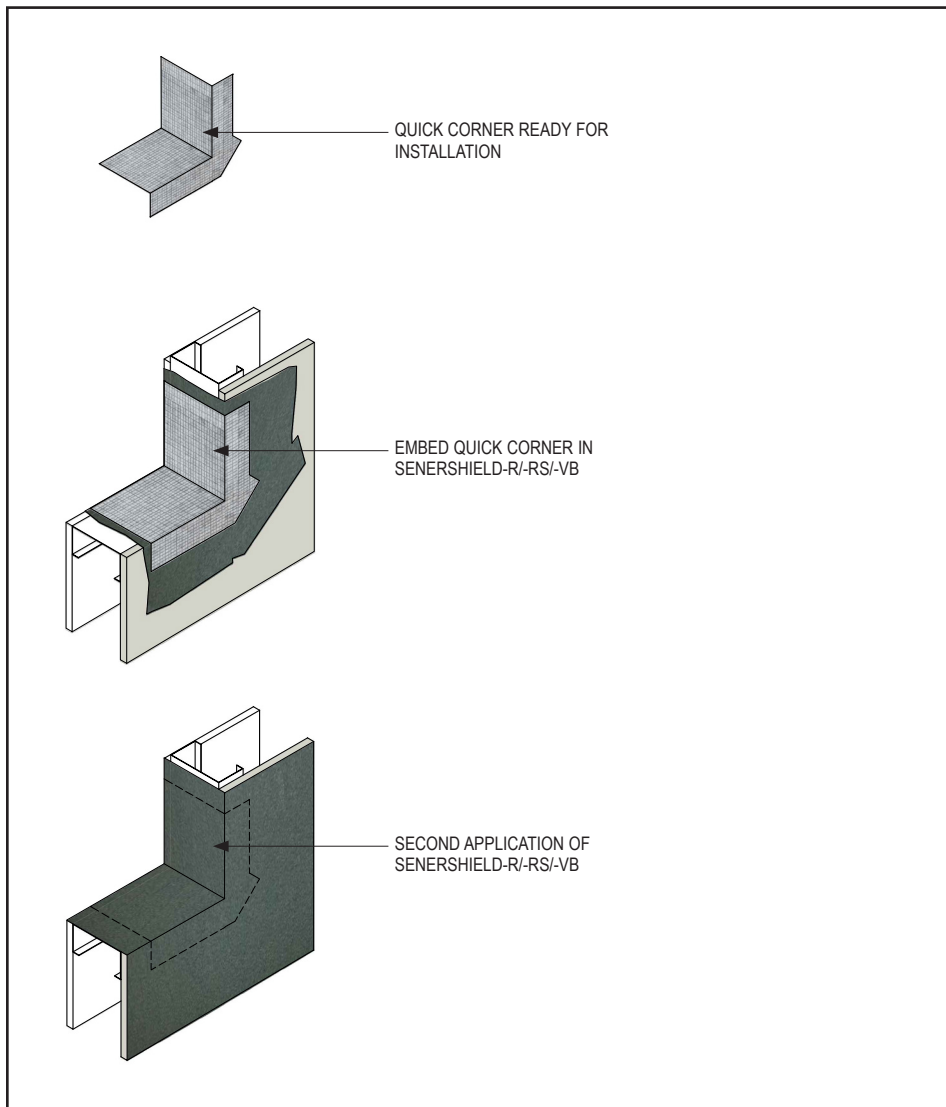
AWRB-04

2109

(\*NOTE: BY OTHERS)

This detail represents Master Builders Solutions Construction Systems US, LLC (hereinafter Master Builders Solutions) latest recommendations. It is presented in good faith by Master Builders Solutions. The detail is subject to change without notice. Master Builders Solutions accepts no liability for the end use of the detail. For conditions not shown, consult Master Builders Solutions for review of specific detail.

## Senershield-R/-RS/-VB TYPICAL QUICK CORNER APPLICATION



- Install Master Builders Solutions materials in accordance with current installation instructions.
- Unsatisfactory conditions shall be reported to the General Contractor and corrected before the application of Master Builders Solutions products.
- For more information, reference the *Air/Water-Resistive/Vapor Barrier Application Guidelines* technical bulletin.
- Sheathing Fabric and Quick Corners are produced by Master Builders Solutions.

AWRB-05

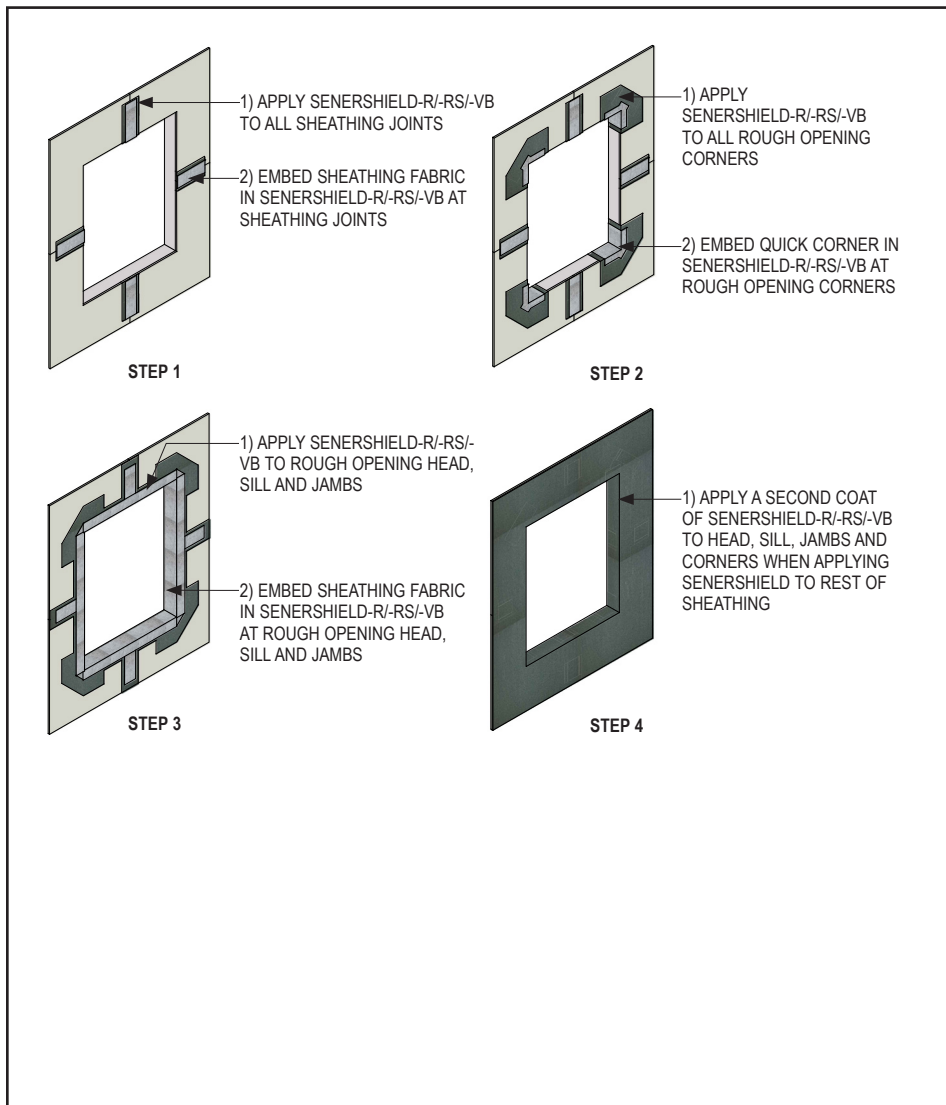
2109

(\*NOTE: BY OTHERS)

This detail represents Master Builders Solutions Construction Systems US, LLC (hereinafter Master Builders Solutions) latest recommendations. It is presented in good faith by Master Builders Solutions. The detail is subject to change without notice. Master Builders Solutions accepts no liability for the end use of the detail. For conditions not shown, consult Master Builders Solutions for review of specific detail.



## Senershield-R/-RS/-VB TYPICAL ROUGH OPENING CORNER TREATMENT WITH QUICK CORNERS AND SHEATHING FABRIC



- Install Master Builders Solutions materials in accordance with current installation instructions.
- Unsatisfactory conditions shall be reported to the General Contractor and corrected before the application of Master Builders Solutions products.
- Apply MasterSeal AWB 970 NP over punched stud openings.
- For more information, reference the *Air/Water-Resistive/Vapor Barrier Application Guidelines* technical bulletin.
- Sheathing Fabric and MasterSeal AWB 970 NP are produced by Master Builders Solutions.
- Fully Coat MasterSeal AWB 970 NP with Senershield-R/-RS/-VB.

AWRB-06

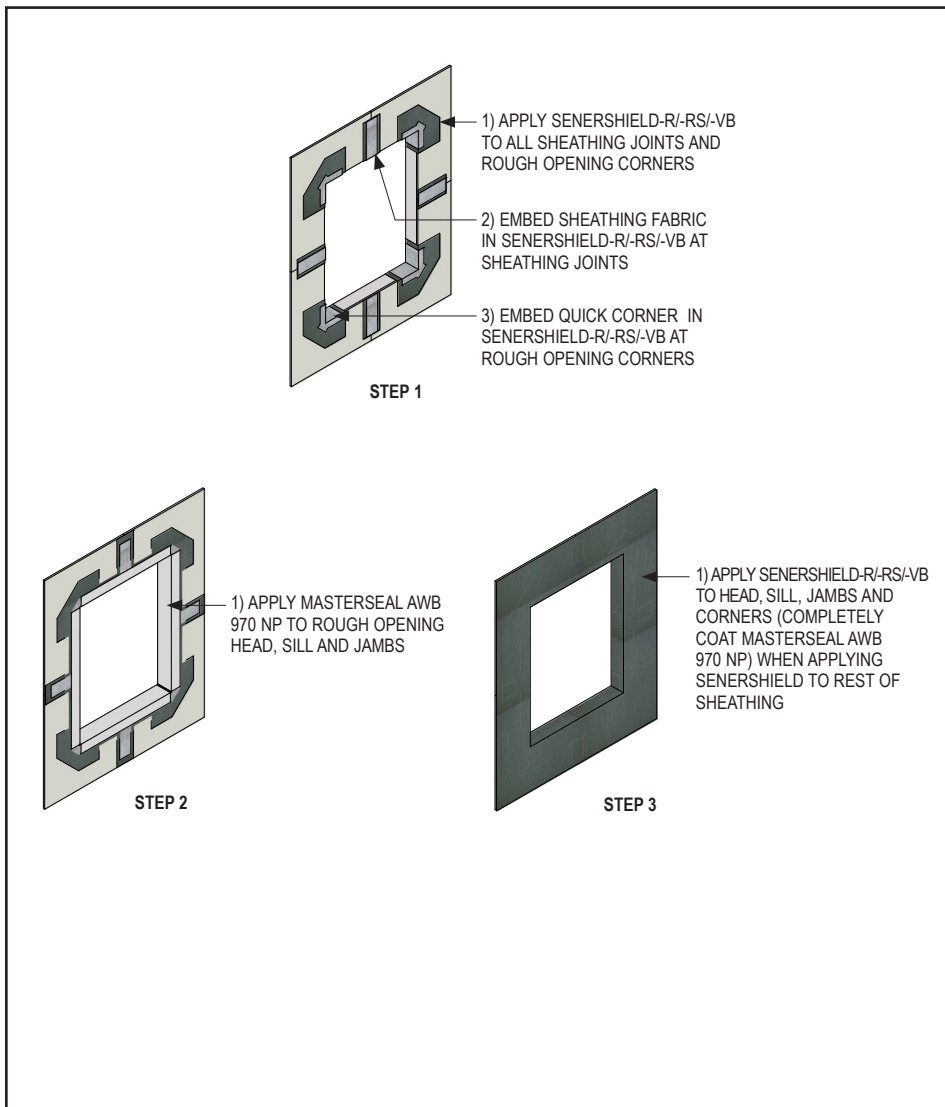
2109

(\*NOTE: BY OTHERS)

This detail represents Master Builders Solutions Construction Systems US, LLC (hereinafter Master Builders Solutions) latest recommendations. It is presented in good faith by Master Builders Solutions. The detail is subject to change without notice. Master Builders Solutions accepts no liability for the end use of the detail. For conditions not shown, consult Master Builders Solutions for review of specific detail.

## Senershield-R/-RS/-VB

### TYPICAL ROUGH OPENING CORNER TREATMENT WITH QUICK CORNERS AND MASTERSEAL AWB 970 NP



- Install Master Builders Solutions materials in accordance with current installation instructions.
- Unsatisfactory conditions shall be reported to the General Contractor and corrected before the application of Master Builders Solutions products.
- For more information, reference the *Air/Water-Resistive/Vapor Barrier Application Guidelines* technical bulletin.
- Apply MasterSeal AWB 970 NP over punched stud openings.
- Sheathing Fabric and MasterSeal AWB 970 NP are produced by Master Builders Solutions.
- Fully Coat MasterSeal AWB 970 NP with Senershield-R/-RS/-VB.

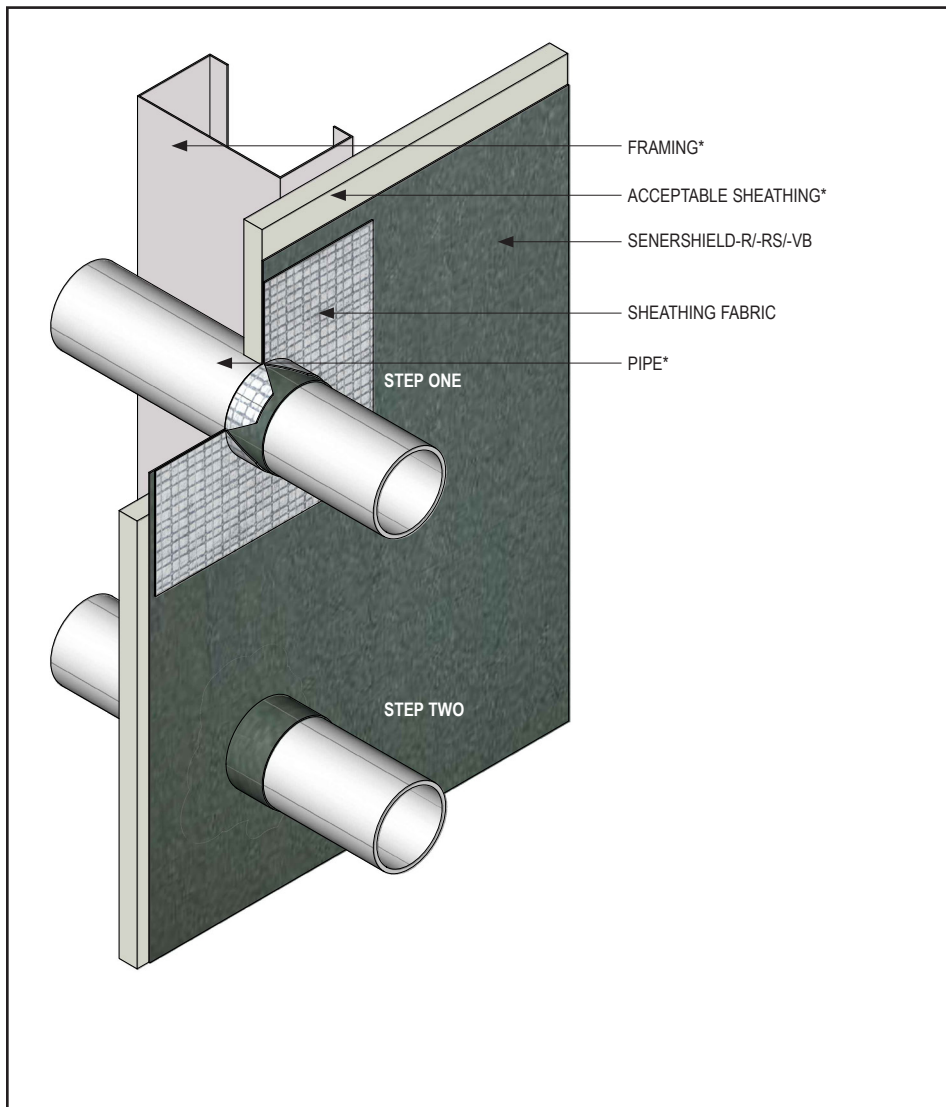
AWRB-07

2109

(\*NOTE: BY OTHERS)

This detail represents Master Builders Solutions Construction Systems US, LLC (hereinafter Master Builders Solutions) latest recommendations. It is presented in good faith by Master Builders Solutions. The detail is subject to change without notice. Master Builders Solutions accepts no liability for the end use of the detail. For conditions not shown, consult Master Builders Solutions for review of specific detail.

## Senershield-R/-RS/-VB TYPICAL PENETRATION THROUGH WALL CONSTRUCTION (SHEATHING FABRIC ONLY)



- Install Master Builders Solutions materials in accordance with current installation instructions.
- Unsatisfactory conditions shall be reported to the General Contractor and corrected before the application of Master Builders Solutions products.
- Cut a square piece of Sheathing Fabric large enough to extend past the pipe by 2" in each direction.
- At the center of the square piece of Sheathing Fabric, pierce a small hole with a blade or scissors.
- With a blade or scissors, cut an "X". Turn the square about 45° and cut another X. The center point of both "X"s will be the point you pierced previously.
- Insert the pipe through the newly cut square so it is centered with a minimum of 2" on each side with the cut flaps point outward. The square should be flush with the sheathing, See Step 1.
- Embed the Sheathing Fabric in Senershield-R/-RS/-VB and coat the flaps around the pipe, See Step 2.
- Wrap a 1" strip of Sheathing Fabric embedded in Senershield-R/-RS/-VB around the flaps.
- Sheathing Fabric is produced by Master Builders Solutions.

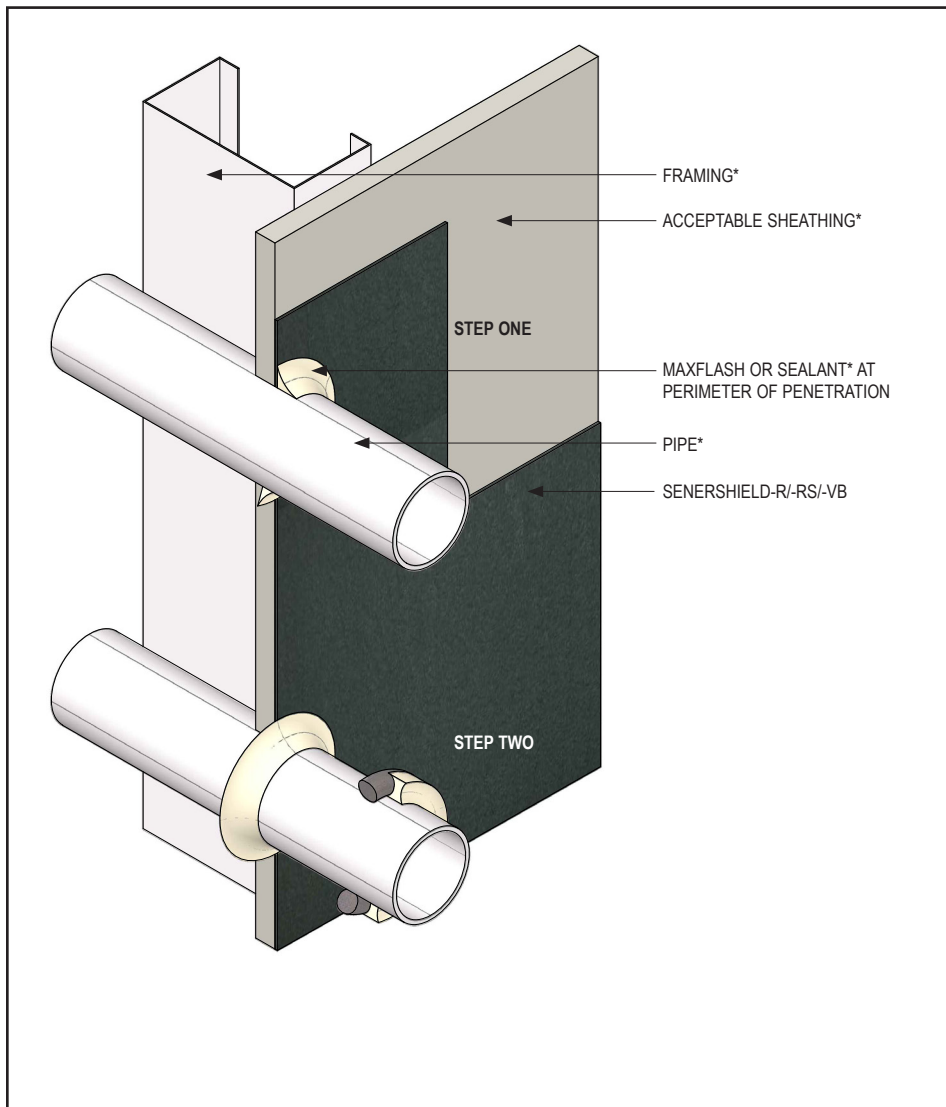
AWRB-08

2109

(\*NOTE: BY OTHERS)

This detail represents Master Builders Solutions Construction Systems US, LLC (hereinafter Master Builders Solutions) latest recommendations. It is presented in good faith by Master Builders Solutions. The detail is subject to change without notice. Master Builders Solutions accepts no liability for the end use of the detail. For conditions not shown, consult Master Builders Solutions for review of specific detail.

## Senersshield-R/-RS/-VB TYPICAL PENETRATION THROUGH WALL CONSTRUCTION (WITH MAXFLASH OR SEALANT)



- Install Master Builders Solutions materials in accordance with current installation instructions.
- Unsatisfactory conditions shall be reported to the General Contractor and corrected before the application of Master Builders Solutions products.
- Senersshield-R/-RS/-VB with Sheathing Fabric may be used as an alternate to provide an air/water-resistive barrier around penetrations, see detail AWRB-08.
- Provide backer rod and MasterSeal NP 150 sealant or equal between pipe and cladding (by others).
- MaxFlash is produced by Master Builders Solutions.

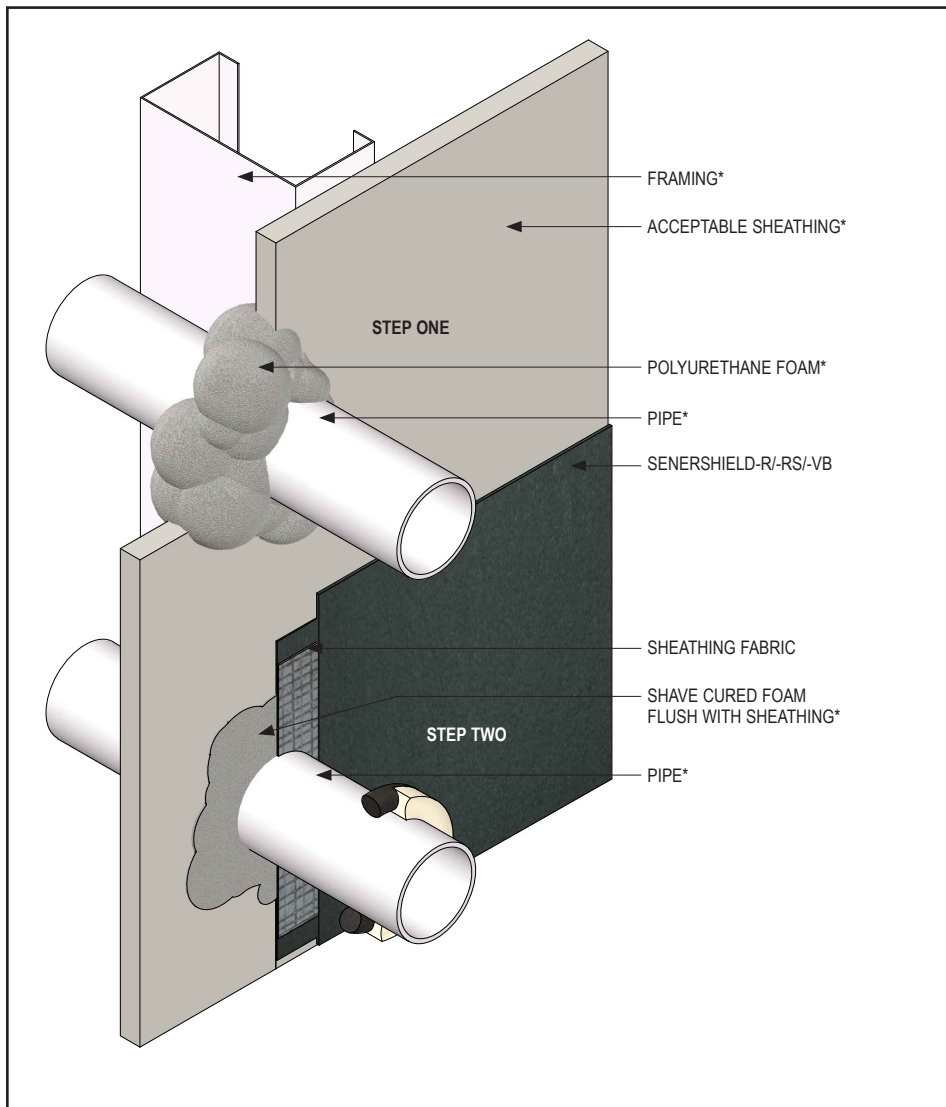
AWRB-09

2109

(\*NOTE: BY OTHERS)

This detail represents Master Builders Solutions Construction Systems US, LLC (hereinafter Master Builders Solutions) latest recommendations. It is presented in good faith by Master Builders Solutions. The detail is subject to change without notice. Master Builders Solutions accepts no liability for the end use of the detail. For conditions not shown, consult Master Builders Solutions for review of specific detail.

## Senershield-R/-RS/-VB TYPICAL PENETRATION THROUGH WALL CONSTRUCTION (ROUGH CUT)



AWRB-10

2109

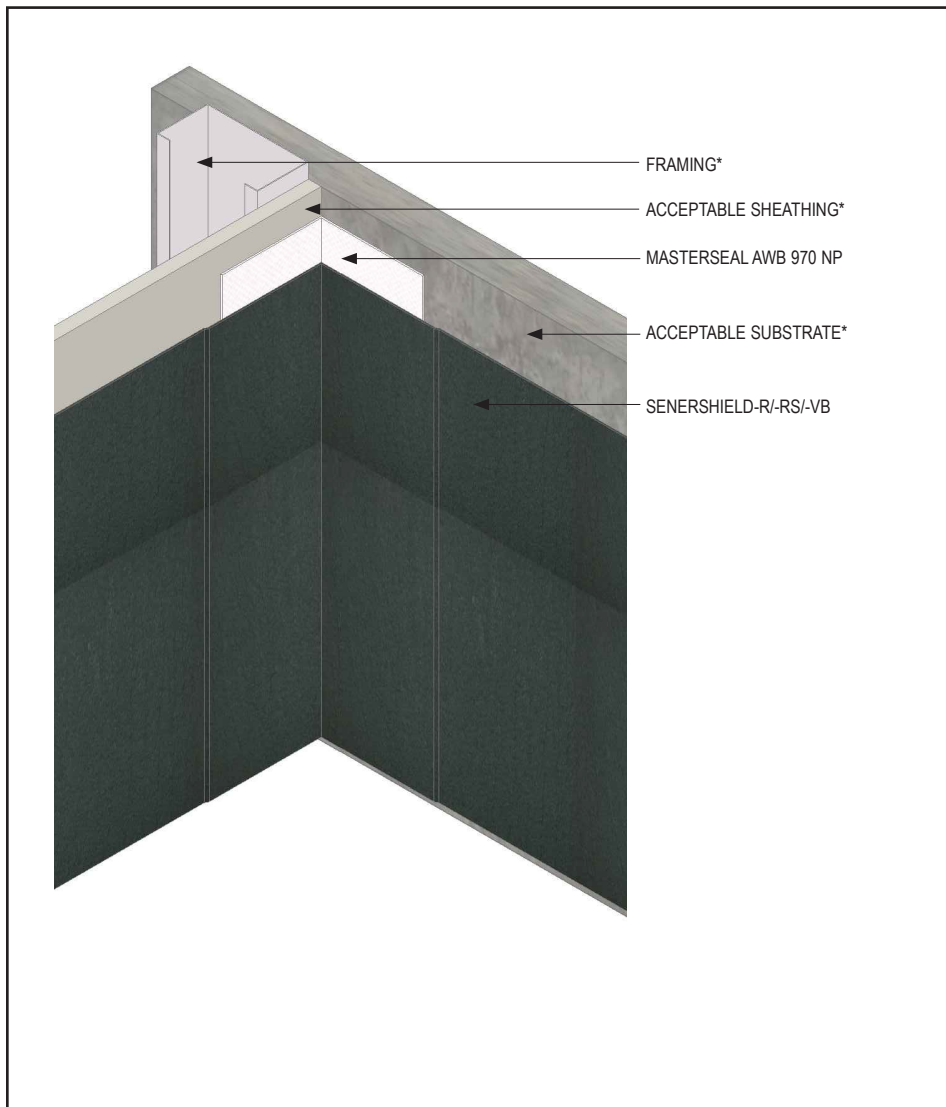
(\*NOTE: BY OTHERS)

- Install Master Builders Solutions materials in accordance with current installation instructions.
- Unsatisfactory conditions shall be reported to the General Contractor and corrected before the application of Master Builders Solutions products.
- Ensure spray foam is low expansion.
- Provide backer rod and MasterSeal NP 150 sealant or equal between pipe and cladding (by others).
- Embed Sheathing Fabric in Senershield-R/-RS/-VB.
- Follow detail AWRB-08 for installation of Sheathing Fabric and Senershield-R/-RS/-VB at penetration.
- Sheathing Fabric is produced by Master Builders Solutions.

This detail represents Master Builders Solutions Construction Systems US, LLC (hereinafter Master Builders Solutions) latest recommendations. It is presented in good faith by Master Builders Solutions. The detail is subject to change without notice. Master Builders Solutions accepts no liability for the end use of the detail. For conditions not shown, consult Master Builders Solutions for review of specific detail.



## Senershield-R/-RS/-VB TYPICAL INSIDE CORNER CHANGE IN SUBSTRATE



- Install Master Builders Solutions materials in accordance with current installation instructions.
- Unsatisfactory conditions shall be reported to the General Contractor and corrected before the application of Master Builders Solutions products.
- Fully Coat MasterSeal AWB 970 NP with Senershield-R/-RS/-VB.

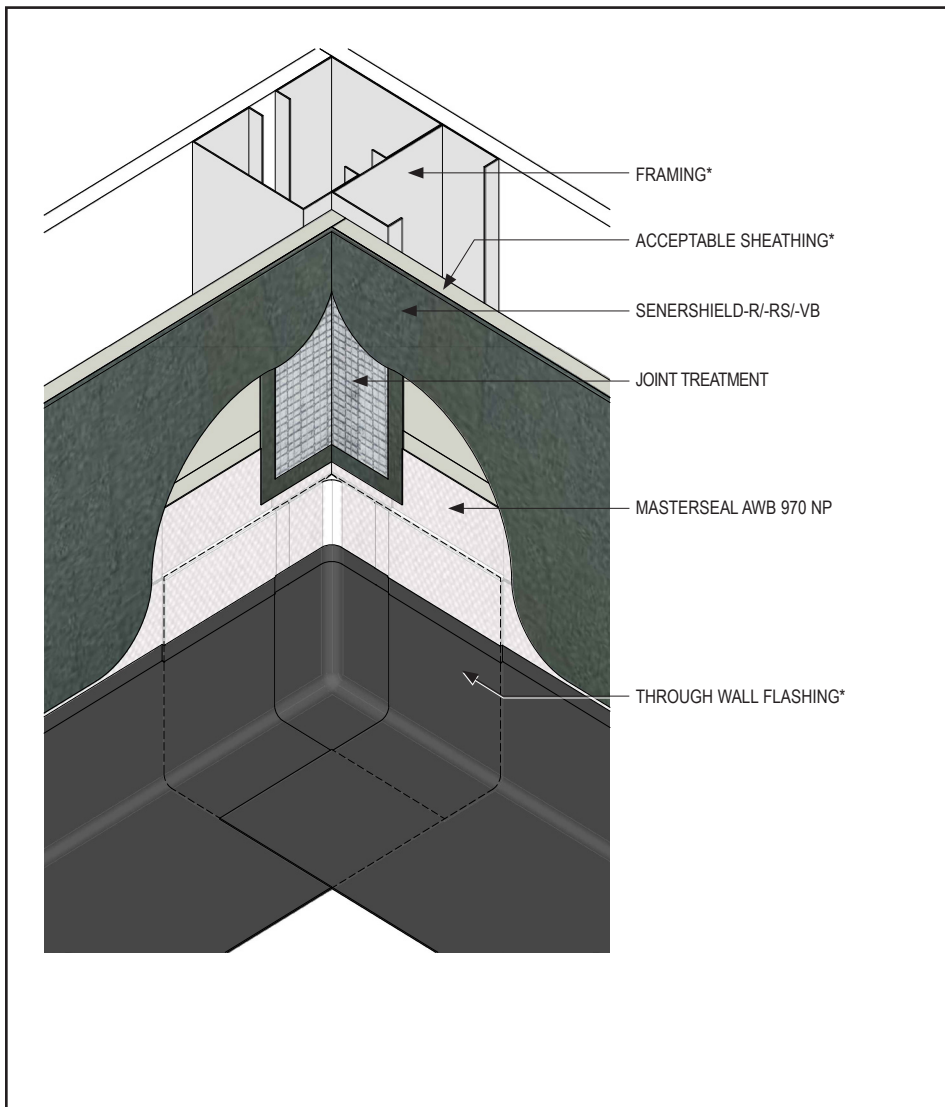
AWRB-11

2109

(\*NOTE: BY OTHERS)

This detail represents Master Builders Solutions Construction Systems US, LLC (hereinafter Master Builders Solutions) latest recommendations. It is presented in good faith by Master Builders Solutions. The detail is subject to change without notice. Master Builders Solutions accepts no liability for the end use of the detail. For conditions not shown, consult Master Builders Solutions for review of specific detail.

## Senershield-R/-RS/-VB TYPICAL INSIDE CORNER



- Install Master Builders Solutions materials in accordance with current installation instructions.
- Unsatisfactory conditions shall be reported to the General Contractor and corrected before the application of Master Builders Solutions products.
- Center MasterSeal AWB 970 NP so half of the width covers through wall flashing and half covers the substrate.
- A termination bar and MasterSeal NP 150 sealant can be used instead of MasterSeal AWB 970 NP (See detail AWRB-33).
- Lap Senergy joint treatment a minimum of 2" over MasterSeal AWB 970 NP.
- If using a termination bar, Senergy joint treatment must be beneath through wall flashing membrane.
- Senergy Joint Treatment Options: MaxFlash, Sheathing Fabric embedded in Senershield-R/-RS/-VB or MasterSeal AWB 970 NP.
- Sheathing Fabric, MaxFlash and MasterSeal AWB 970 NP are produced by Master Builders Solutions.

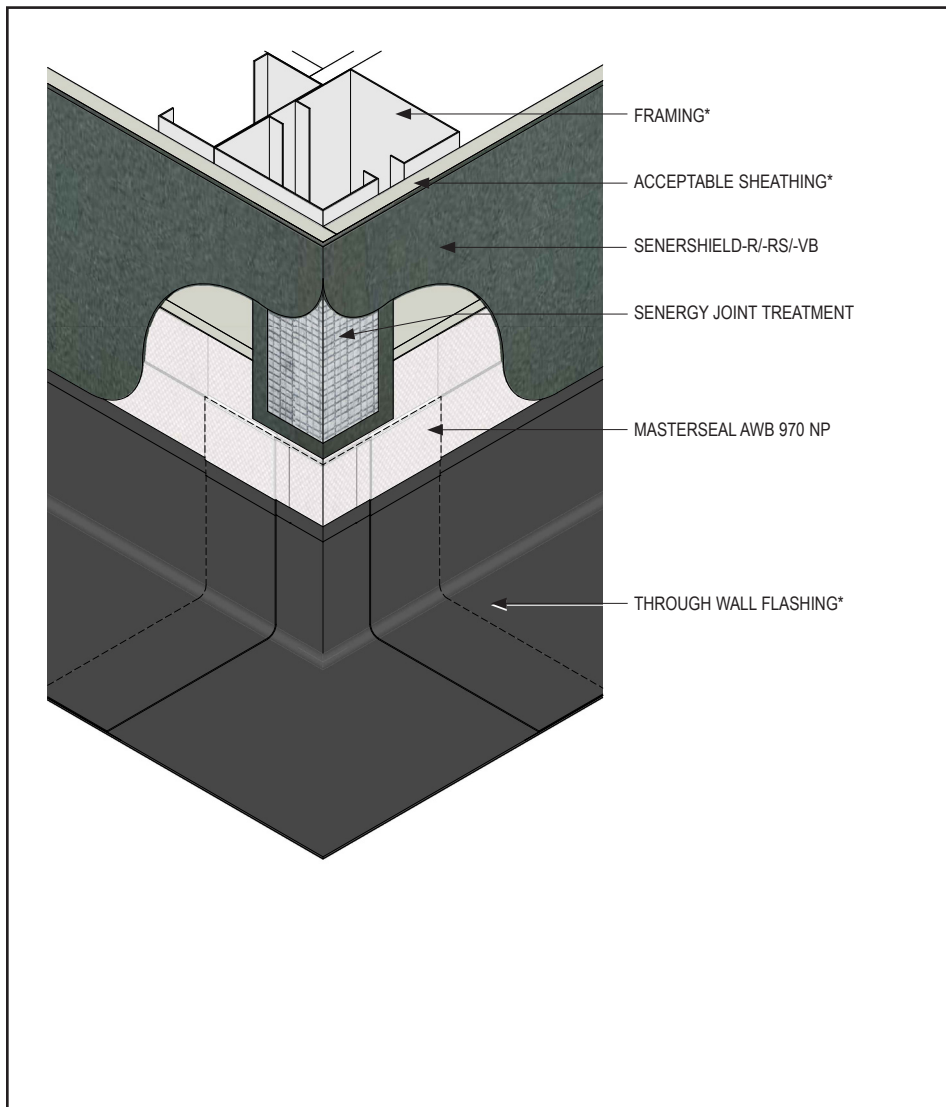
AWRB-12

2109

(\*NOTE: BY OTHERS)

This detail represents Master Builders Solutions Construction Systems US, LLC (hereinafter Master Builders Solutions) latest recommendations. It is presented in good faith by Master Builders Solutions. The detail is subject to change without notice. Master Builders Solutions accepts no liability for the end use of the detail. For conditions not shown, consult Master Builders Solutions for review of specific detail.

## Senershield-R/-RS/-VB TYPICAL OUTSIDE CORNER



- Install Master Builders Solutions materials in accordance with current installation instructions.
- Unsatisfactory conditions shall be reported to the General Contractor and corrected before the application of Master Builders Solutions products.
- Center MasterSeal AWB 970 NP so half of the width covers through wall flashing and half covers the sheathing.
- If using a termination bar, Senergy joint treatment must be beneath through wall flashing.
- Senergy Joint Treatment Options: MaxFlash, Sheathing Fabric embedded in Senershield-R/-RS/-VB or MasterSeal AWB 970 NP.
- Sheathing Fabric, MaxFlash and MasterSeal AWB 970 NP are produced by Master Builders Solutions.

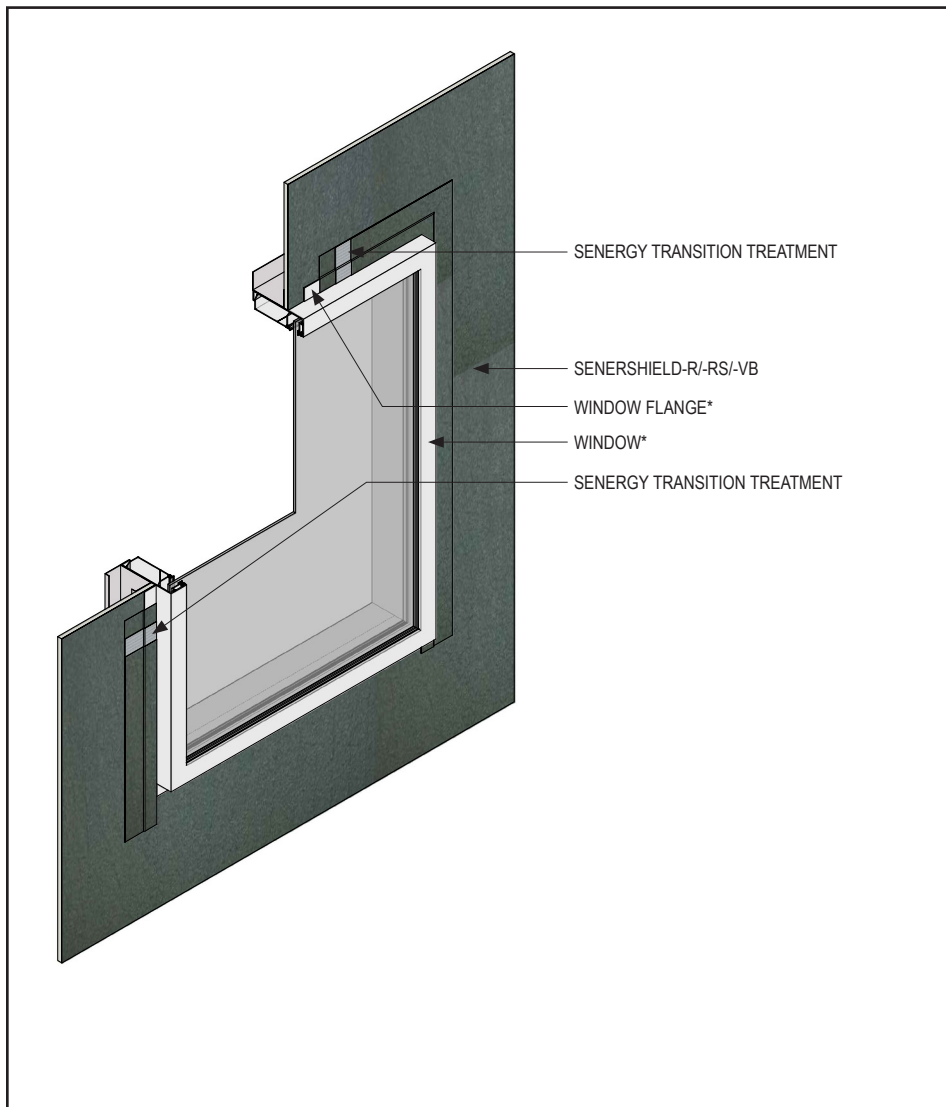
AWRB-13

2109

(\*NOTE: BY OTHERS)

This detail represents Master Builders Solutions Construction Systems US, LLC (hereinafter Master Builders Solutions) latest recommendations. It is presented in good faith by Master Builders Solutions. The detail is subject to change without notice. Master Builders Solutions accepts no liability for the end use of the detail. For conditions not shown, consult Master Builders Solutions for review of specific detail.

## Senershield-R/-RS/-VB TYPICAL WINDOW FLANGE TREATMENT



AWRB-14

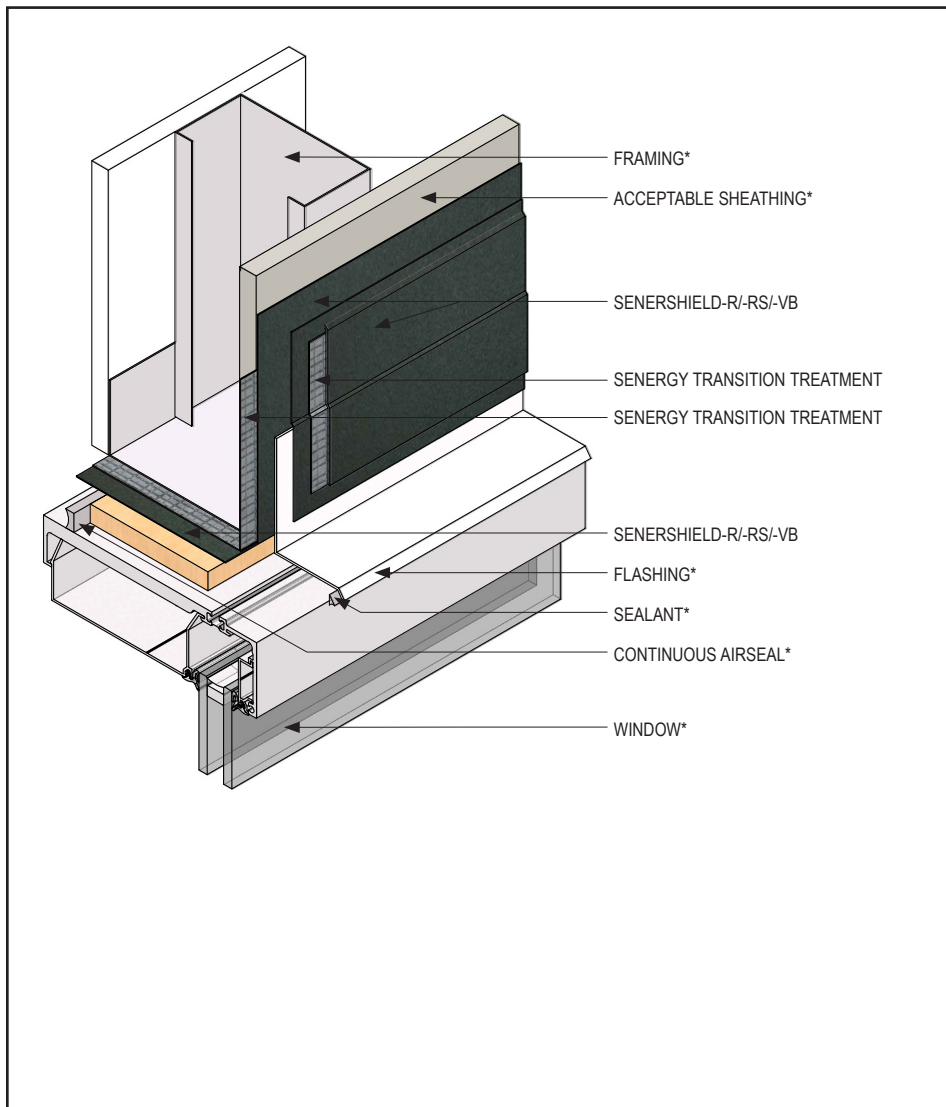
2109

(\*NOTE: BY OTHERS)

- Install Master Builders Solutions materials in accordance with current installation instructions.
- Unsatisfactory conditions shall be reported to the General Contractor and corrected before the application of Master Builders Solutions products.
- Prior to window installation, ensure water-resistive barrier is properly applied into the rough openings in accordance with application guidelines and code requirements. See details AWRB 04-07
- Do not block drainage at window sill.
- Air seal to window by others.
- Senergy Transition Treatment Options: MaxFlash, Sheathing Fabric embedded in Senershield-R/-RS/-VB or MasterSeal AWB 970 NP.
- Sheathing Fabric, MaxFlash and MasterSeal AWB 970 NP are produced by Master Builders Solutions.
- Consult window and sealant manufacturers to verify window installation, detailing and to ensure no water leakage into the wall assembly.

This detail represents Master Builders Solutions Construction Systems US, LLC (hereinafter Master Builders Solutions) latest recommendations. It is presented in good faith by Master Builders Solutions. The detail is subject to change without notice. Master Builders Solutions accepts no liability for the end use of the detail. For conditions not shown, consult Master Builders Solutions for review of specific detail.

## Senershield-R/-RS/-VB TYPICAL WINDOW HEAD



- Install Master Builders Solutions materials in accordance with current installation instructions.
- Unsatisfactory conditions shall be reported to the General Contractor and corrected before the application of Master Builders Solutions products.
- Provide end dams at flashing terminations.
- If blocking is installed prior to Senershield-R/-RS/-VB application, it shall be treated as a rough opening; verify adhesion before proceeding.
- Senergy Transition Treatment Options: MaxFlash, Sheathing Fabric embedded in Senershield-R/-RS/-VB or MasterSeal AWB 970 NP.
- Sheathing Fabric, MaxFlash and MasterSeal AWB 970 NP are produced by Master Builders Solutions.
- Prior to window installation, ensure water-resistive barrier is properly applied into the rough openings in accordance with application guidelines and code requirements. See details AWRB 04-07
- Consult window and sealant manufacturers to verify window installation, detailing and to ensure no water leakage into the wall assembly.

AWRB-15

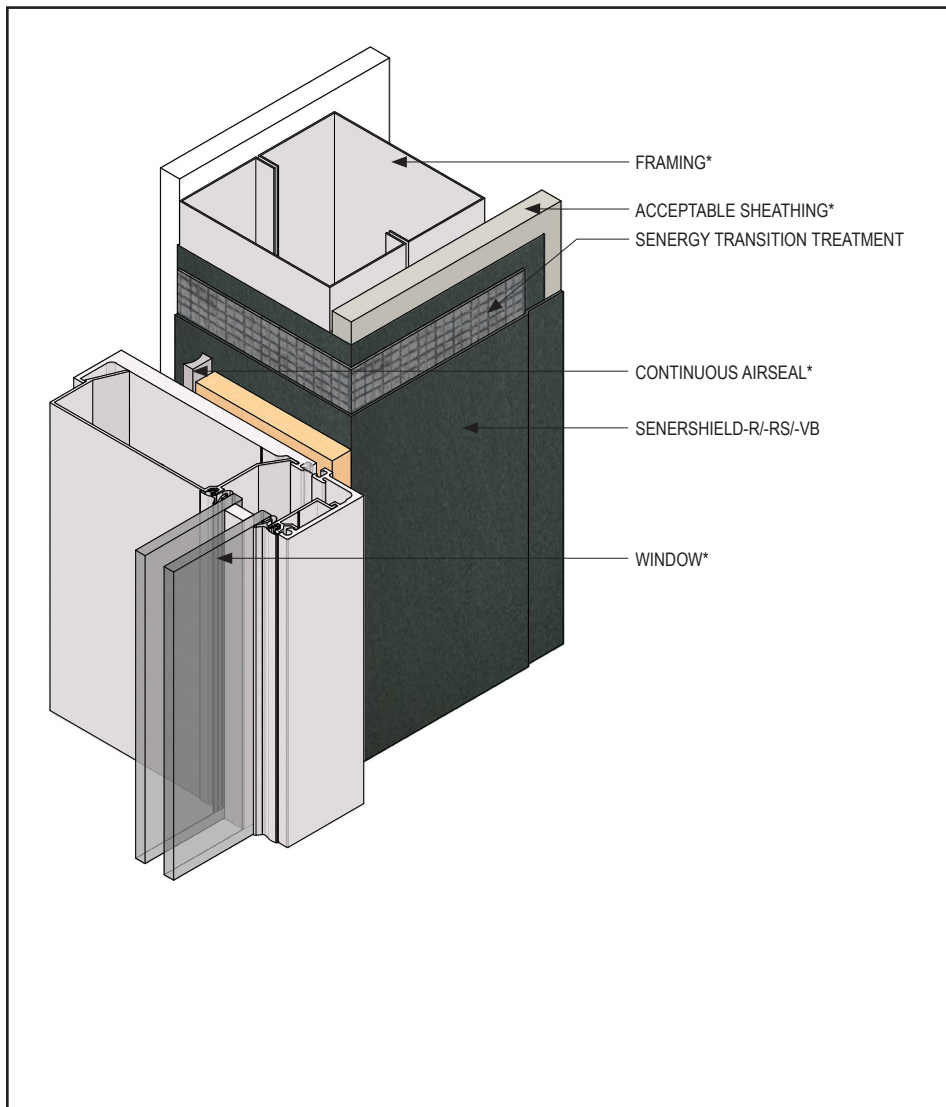
2109

(\*NOTE: BY OTHERS)

This detail represents Master Builders Solutions Construction Systems US, LLC (hereinafter Master Builders Solutions) latest recommendations. It is presented in good faith by Master Builders Solutions. The detail is subject to change without notice. Master Builders Solutions accepts no liability for the end use of the detail. For conditions not shown, consult Master Builders Solutions for review of specific detail.



## Senershield-R/-RS/-VB TYPICAL WINDOW JAMB



- Install Master Builders Solutions materials in accordance with current installation instructions.
- Unsatisfactory conditions shall be reported to the General Contractor and corrected before the application of Master Builders Solutions products.
- Apply MasterSeal AWB 970 NP over punched stud opening.
- If blocking is installed prior to Senershield-R/-RS/-VB application, it shall be treated as a rough opening; verify adhesion before proceeding.
- Senergy Transition Treatment Options: MaxFlash, Sheathing Fabric embedded in Senershield-R/-RS/-VB or MasterSeal AWB 970 NP.
- Prior to window installation, ensure water-resistive barrier is properly applied into the rough openings in accordance with application guidelines and code requirements. See details AWRB 04-07.
- Consult window and sealant manufacturers to verify window installation, detailing and to ensure no water leakage into the wall assembly.
- Sheathing Fabric, MaxFlash and MasterSeal AWB 970 NP are produced by Master Builders Solutions.

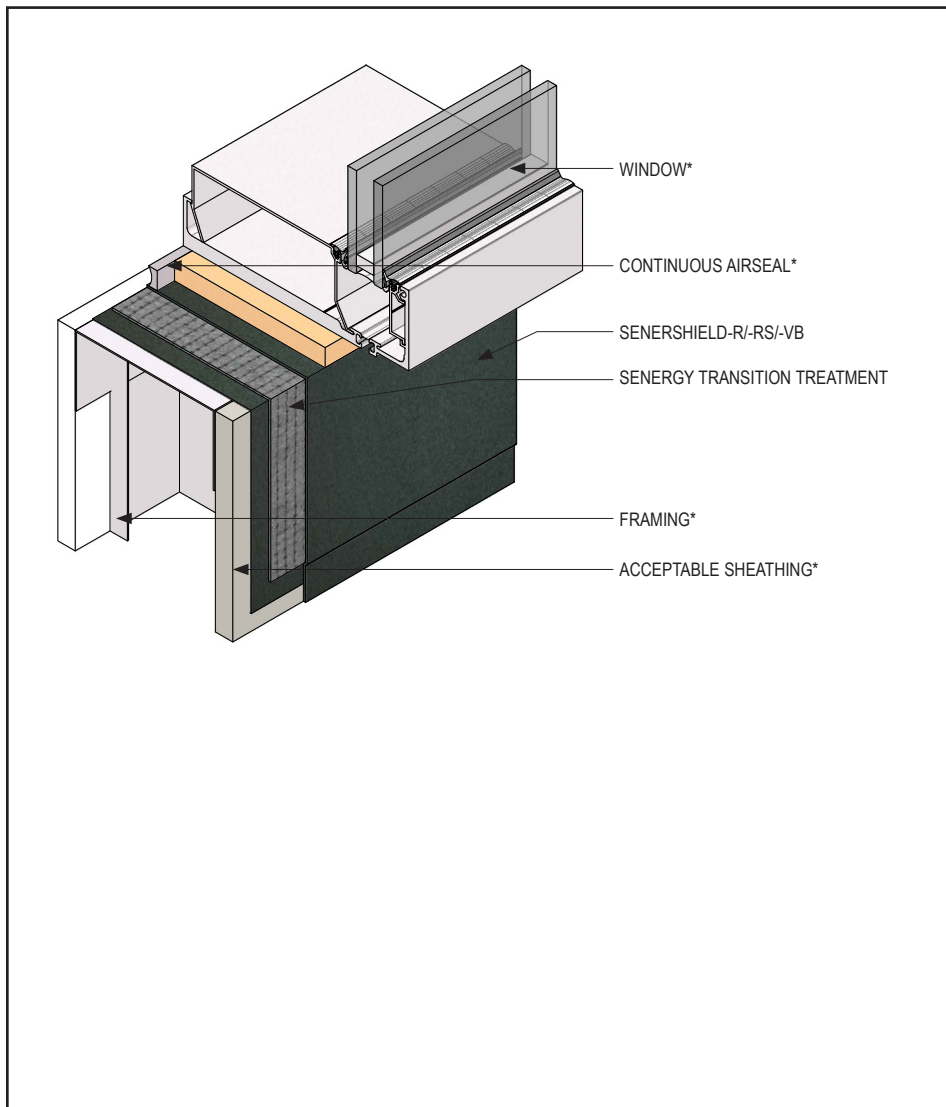
AWRB-16

2109

(\*NOTE: BY OTHERS)

This detail represents Master Builders Solutions Construction Systems US, LLC (hereinafter Master Builders Solutions) latest recommendations. It is presented in good faith by Master Builders Solutions. The detail is subject to change without notice. Master Builders Solutions accepts no liability for the end use of the detail. For conditions not shown, consult Master Builders Solutions for review of specific detail.

## Senershield-R/-RS/-VB TYPICAL WINDOW SILL



- Install Master Builders Solutions materials in accordance with current installation instructions.
- Unsatisfactory conditions shall be reported to the General Contractor and corrected before the application of Master Builders Solutions products.
- Install end/back dams as required.
- If blocking is installed prior to Senershield-R/-RS/-VB application, it shall be treated as a rough opening; verify adhesion before proceeding.
- If pan flashing is required, see detail AWRB-18.
- Senergy joint/Transition Treatment Options: MaxFlash, Sheathing Fabric embedded in Senershield-R/-RS/-VB or MasterSeal AWB 970 NP.
- Sheathing Fabric, MaxFlash and MasterSeal AWB 970 NP are produced by Master Builders Solutions.
- Prior to window installation, ensure water-resistive barrier is properly applied into the rough openings in accordance with application guidelines and code requirements. See details AWRB 04-07.
- Consult window and sealant manufacturers to verify window installation, detailing and to ensure no water leakage into the wall assembly.

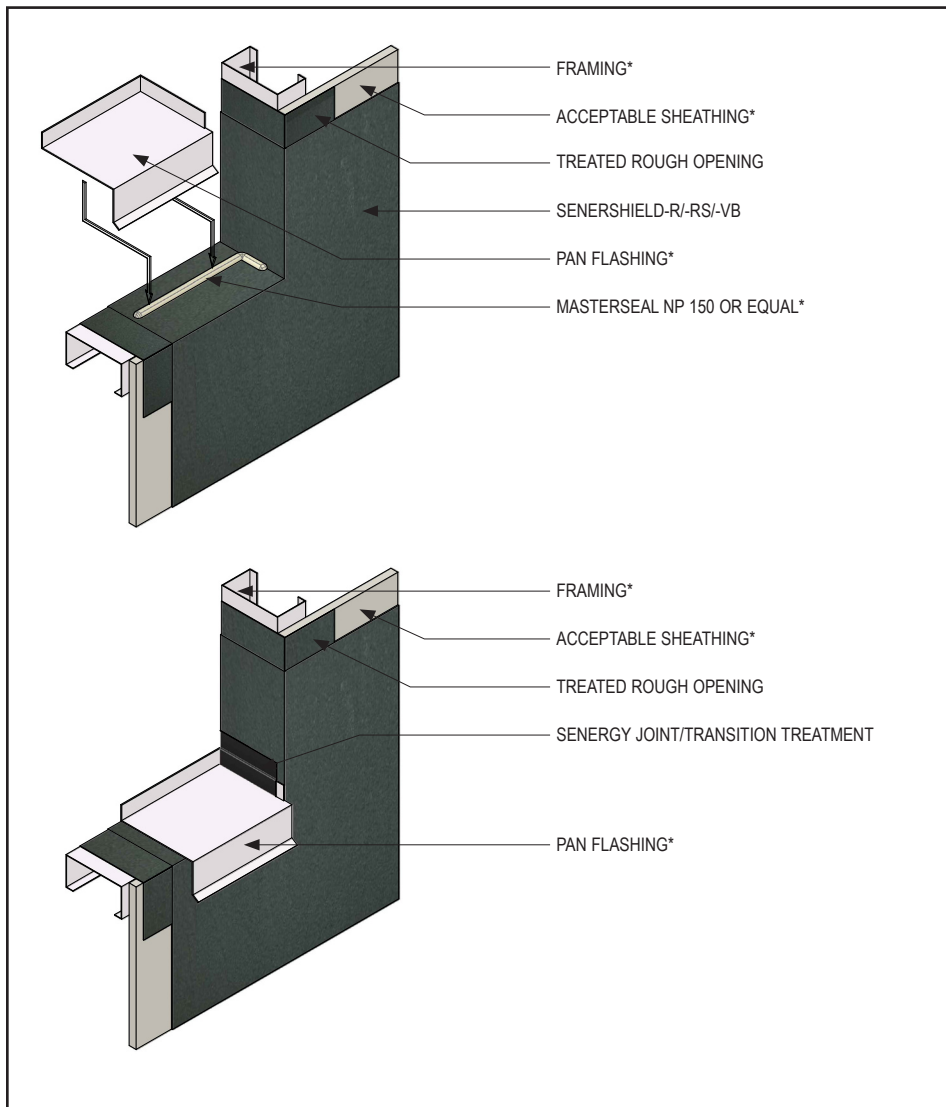
AWRB-17

2109

(\*NOTE: BY OTHERS)

This detail represents Master Builders Solutions Construction Systems US, LLC (hereinafter Master Builders Solutions) latest recommendations. It is presented in good faith by Master Builders Solutions. The detail is subject to change without notice. Master Builders Solutions accepts no liability for the end use of the detail. For conditions not shown, consult Master Builders Solutions for review of specific detail.

## Senershield-R/-RS/-VB TYPICAL PAN FLASHING



AWRB-18

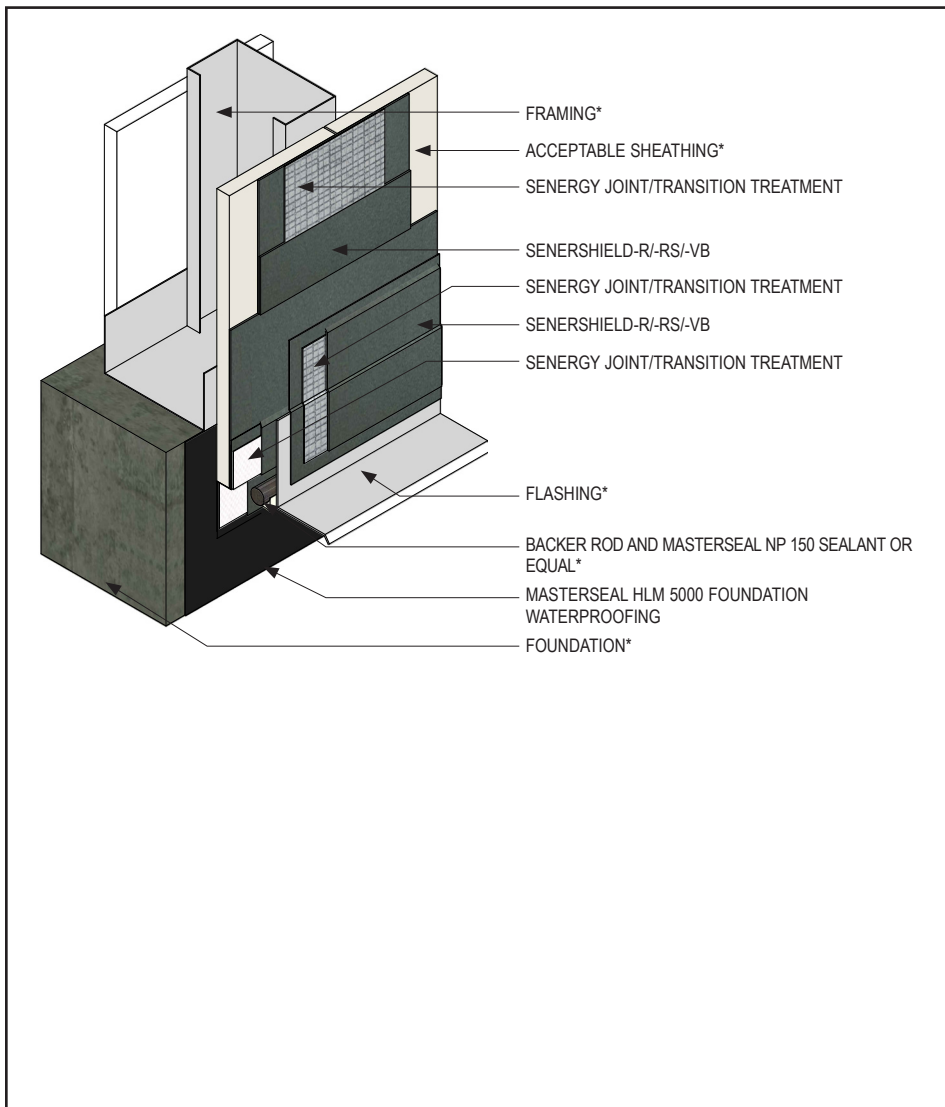
2109

(\*NOTE: BY OTHERS)

- Install Master Builders Solutions materials in accordance with current installation instructions.
- Unsatisfactory conditions shall be reported to the General Contractor and corrected before the application of Master Builders Solutions products.
- Install MasterSeal NP 150 sealant or equal as depicted onto the sill and jamb to maintain continuity of the air barrier.
- Install pan flashing into the wet sealant. Remove excess sealant as required.
- Install Senergy Joint Treatment at the jamb end dams.
- Senergy Joint/Transition Treatment Options: MaxFlash, Sheathing Fabric embedded in Senershield-R/-RS/-VB or MasterSeal AWB 970 NP.
- Sheathing Fabric, MaxFlash and MasterSeal AWB 970 NP are produced by Master Builders Solutions.
- Prior to pan flashing installation, ensure water-resistive barrier is properly applied into the rough opening in accordance with application guidelines and code requirements. See details AWRB 04-07.

This detail represents Master Builders Solutions Construction Systems US, LLC (hereinafter Master Builders Solutions) latest recommendations. It is presented in good faith by Master Builders Solutions. The detail is subject to change without notice. Master Builders Solutions accepts no liability for the end use of the detail. For conditions not shown, consult Master Builders Solutions for review of specific detail.

## Senershield-R/-RS/-VB TYPICAL TERMINATION AT GRADE – SHEATHING OVERLAPPING FOUNDATION



- Install Master Builders Solutions materials in accordance with current installation instructions.
- Unsatisfactory conditions shall be reported to the General Contractor and corrected before the application of Master Builders Solutions products.
- Extend flashing over Senergy transition treatment on foundation.
- If MaxFlash is used at foundation transition. Apply at 20–30 mils.
- Senergy Joint/Transition Treatment Options: MaxFlash, Sheathing Fabric embedded in Senershield-R/-RS/-VB or MasterSeal AWB 970 NP.
- Sheathing Fabric, MaxFlash and MasterSeal AWB 970 NP are produced by Master Builders Solutions.
- If MasterSeal AWB 970 NP is used, it must be fully coated with Senershield-R/-RS/-VB.

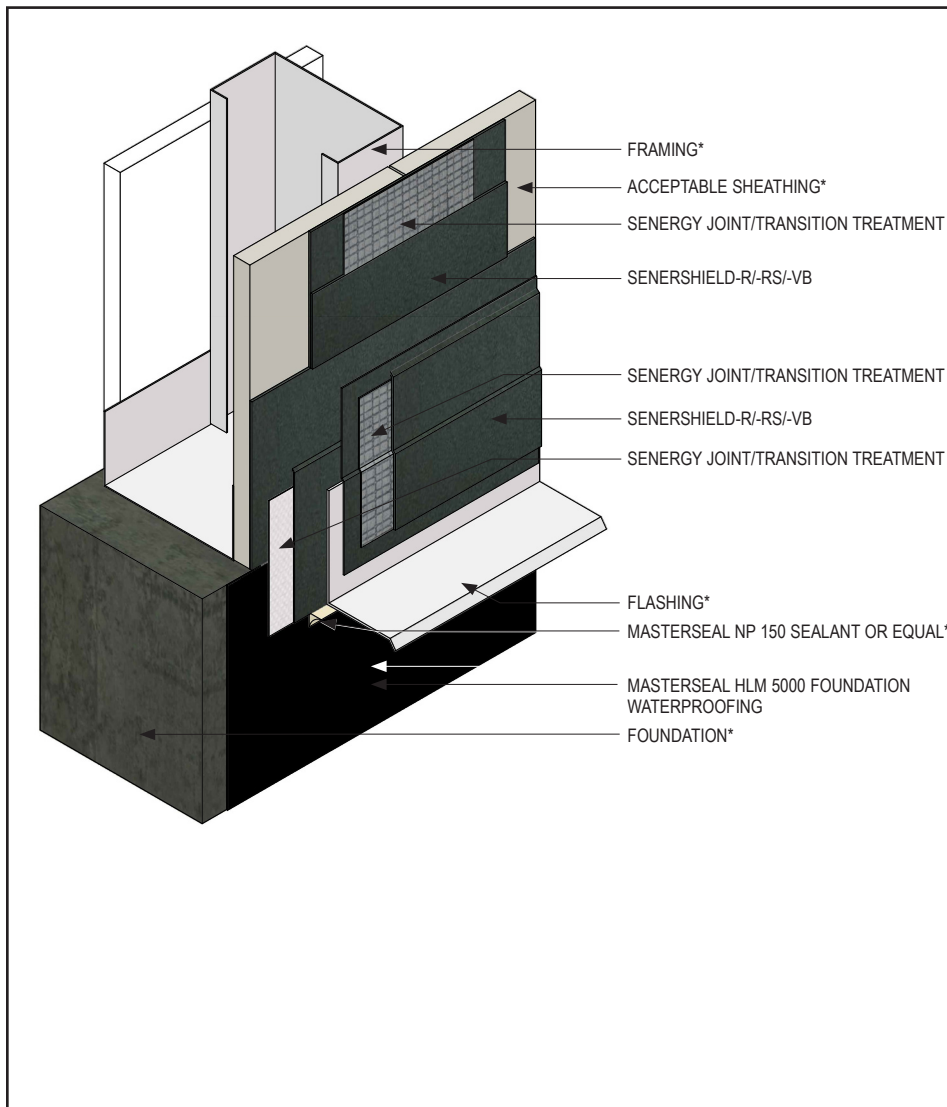
AWRB-19

2109

(\*NOTE: BY OTHERS)

This detail represents Master Builders Solutions Construction Systems US, LLC (hereinafter Master Builders Solutions) latest recommendations. It is presented in good faith by Master Builders Solutions. The detail is subject to change without notice. Master Builders Solutions accepts no liability for the end use of the detail. For conditions not shown, consult Master Builders Solutions for review of specific detail.

## Senershield-R/-RS/-VB TYPICAL TERMINATION AT GRADE – SHEATHING FLUSH WITH FOUNDATION



- Install Master Builders Solutions materials in accordance with current installation instructions.
- Unsatisfactory conditions shall be reported to the General Contractor and corrected before the application of Master Builders Solutions products.
- Extend flashing over Senergy transition treatment on foundation.
- Senergy Joint/Transition Treatment Options: MaxFlash, Sheathing Fabric embedded in Senershield-R/-RS/-VB or MasterSeal AWB 970 NP.
- Sheathing Fabric, MaxFlash and MasterSeal AWB 970 NP are produced by Master Builders Solutions.
- If MasterSeal AWB 970 NP is used, it must be fully coated with Senershield-R/-RS/-VB.

AWRB-20

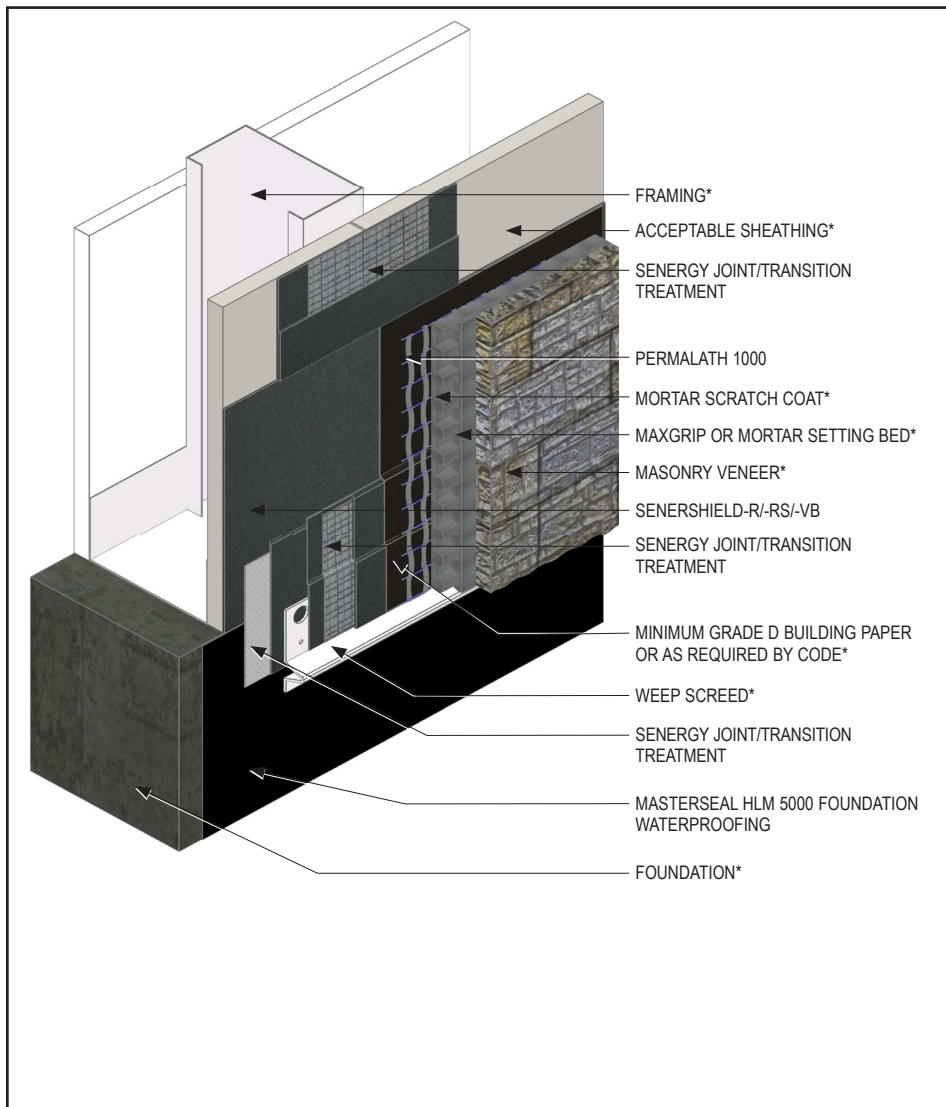
2109

(\*NOTE: BY OTHERS)

This detail represents Master Builders Solutions Construction Systems US, LLC (hereinafter Master Builders Solutions) latest recommendations. It is presented in good faith by Master Builders Solutions. The detail is subject to change without notice. Master Builders Solutions accepts no liability for the end use of the detail. For conditions not shown, consult Master Builders Solutions for review of specific detail.



## Senershield-R/-RS/-VB TYPICAL TERMINATION AT GRADE – MASONRY VENEER



- Install Master Builders Solutions materials in accordance with current installation instructions.
- Unsatisfactory conditions shall be reported to the General Contractor and corrected before the application of Master Builders Solutions products.
- Install Master Builders Solutions materials in accordance with current installation instructions.
- Ensure Senershield-R/-RS/-VB fully covers Senergy joint/transition treatment at overlap.
- MaxGrip, Sheathing Fabric, MaxFlash and MasterSeal AWB 970 NP are produced by Master Builders Solutions.
- If MasterSeal AWB 970 NP is used, it must be fully coated with Senershield-R/-RS/-VB.
- Senergy Joint/Transition Treatment Options: MaxFlash, Sheathing Fabric embedded in Senershield-R/-RS/-VB or MasterSeal AWB 970 NP.

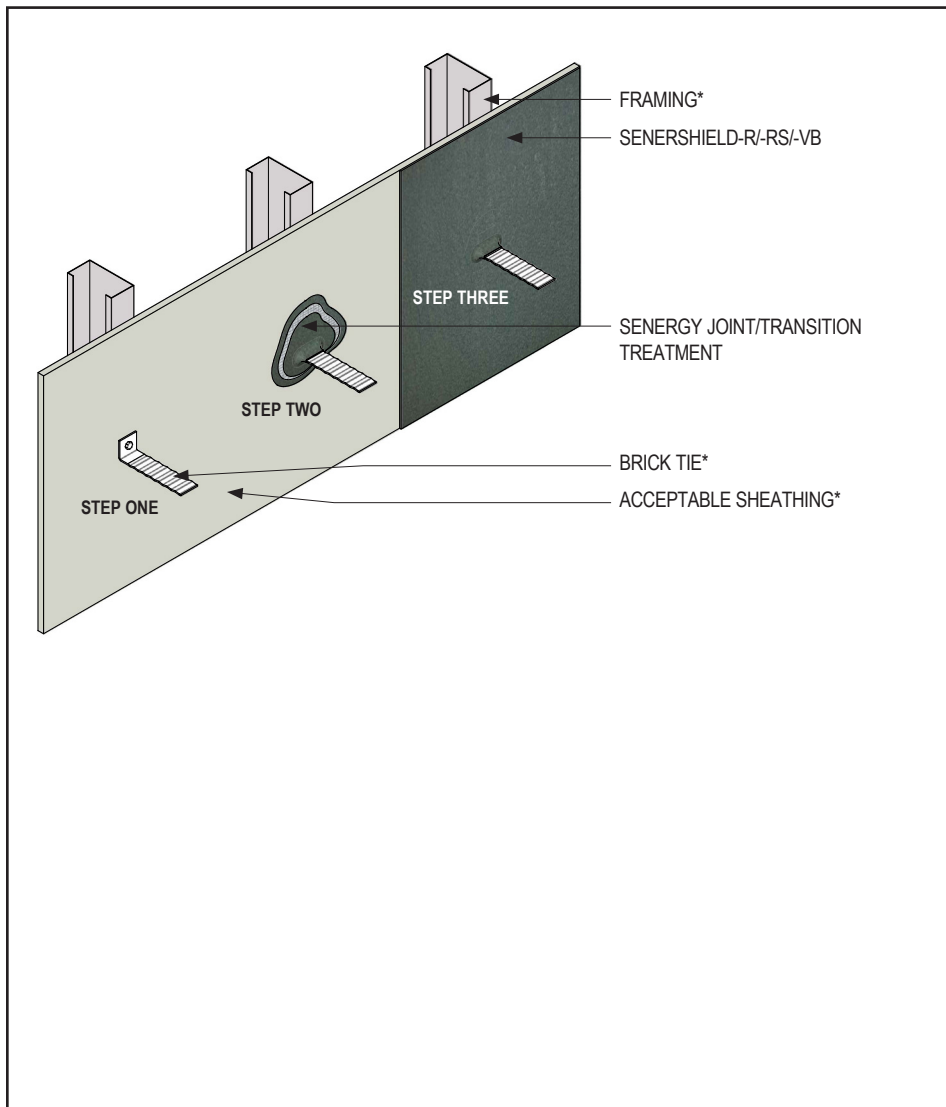
AWRB-21

2109

(\*NOTE: BY OTHERS)

This detail represents Master Builders Solutions Construction Systems US, LLC (hereinafter Master Builders Solutions) latest recommendations. It is presented in good faith by Master Builders Solutions. The detail is subject to change without notice. Master Builders Solutions accepts no liability for the end use of the detail. For conditions not shown, consult Master Builders Solutions for review of specific detail.

## Senershield-R/-RS/-VB TYPICAL BRICK ANCHOR (INSTALLED PRIOR TO AWRB APPLICATION)



- Install Master Builders Solutions materials in accordance with current installation instructions.
- Unsatisfactory conditions shall be reported to the General Contractor and corrected before the application of Master Builders Solutions products.
- Senergy Joint/Transition Treatment Options: MaxFlash, Sheathing Fabric embedded in Senershield-R/-RS/-VB or MasterSeal AWB 970 NP.
- Consult the brick tie manufacturer for proper attachment.
- Sheathing Fabric, MaxFlash and MasterSeal AWB 970 NP are produced by Master Builders Solutions.

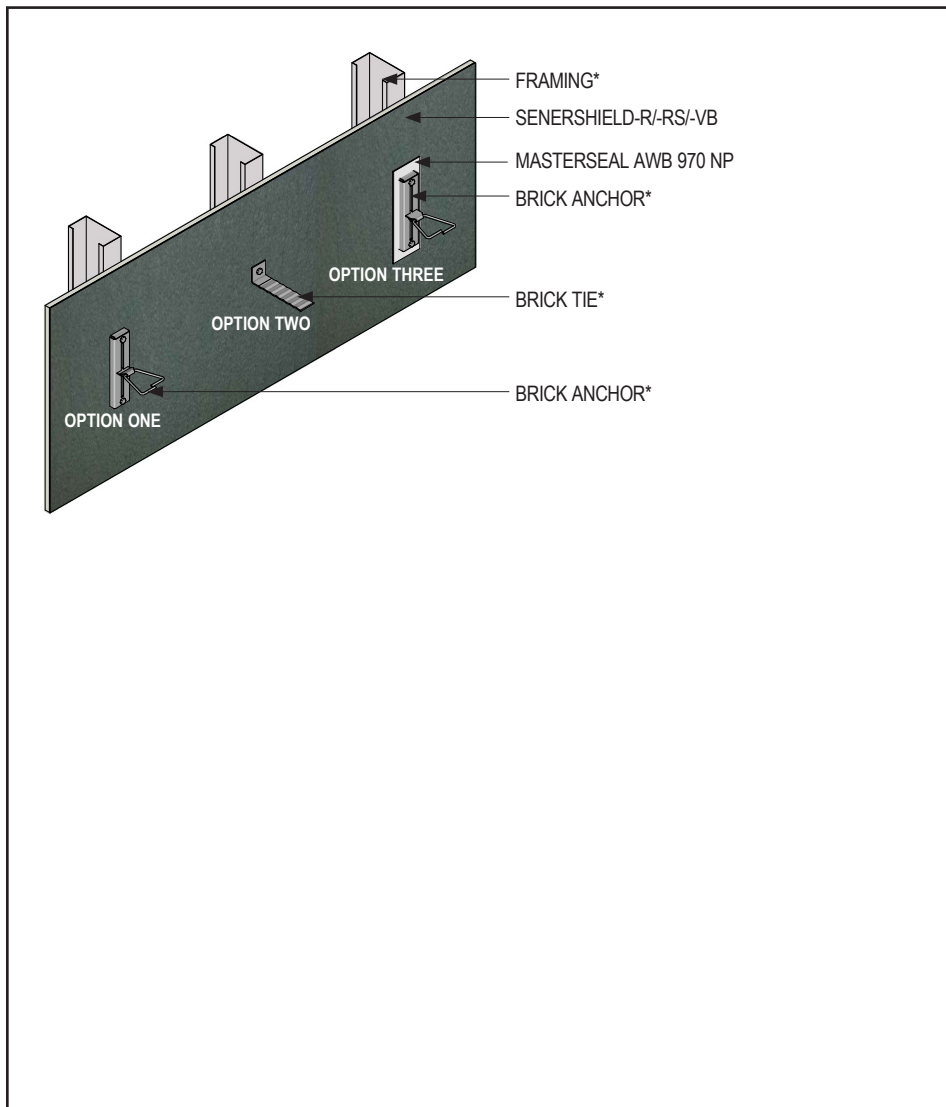
AWRB-22

2109

(\*NOTE: BY OTHERS)

This detail represents Master Builders Solutions Construction Systems US, LLC (hereinafter Master Builders Solutions) latest recommendations. It is presented in good faith by Master Builders Solutions. The detail is subject to change without notice. Master Builders Solutions accepts no liability for the end use of the detail. For conditions not shown, consult Master Builders Solutions for review of specific detail.

## Senershield-R/-RS/-VB TYPICAL BRICK ANCHOR (INSTALLED AFTER AWRB APPLICATION)



- Install Master Builders Solutions materials in accordance with current installation instructions.
- Unsatisfactory conditions shall be reported to the General Contractor and corrected before the application of Master Builders Solutions products.
- For more information, see *Senershield Fastener Self-Sealing* technical bulletin.
- Consult the brick anchor manufacturer for proper attachment.
- Additional Senershield-R/-RS/-VB, MaxFlash or sealant may be post applied at anchor points.
- Option 3: Apply MasterSeal AWB 970 NP to Senershield-R/-RS/-VB prior to application of brick anchor.

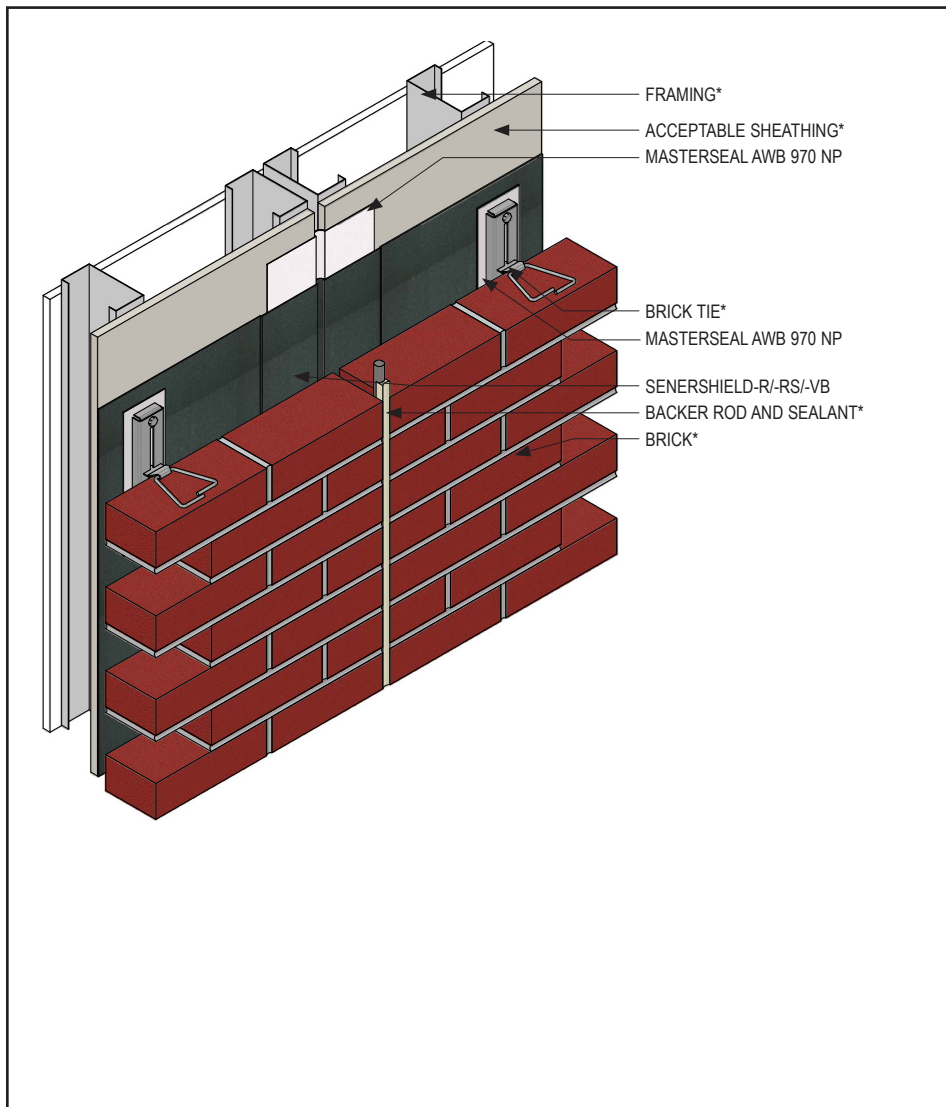
AWRB-23

2109

(\*NOTE: BY OTHERS)

This detail represents Master Builders Solutions Construction Systems US, LLC (hereinafter Master Builders Solutions) latest recommendations. It is presented in good faith by Master Builders Solutions. The detail is subject to change without notice. Master Builders Solutions accepts no liability for the end use of the detail. For conditions not shown, consult Master Builders Solutions for review of specific detail.

## Senershield-R/-RS/-VB TYPICAL BRICK EXPANSION JOINT



- Install Master Builders Solutions materials in accordance with current installation instructions.
- Unsatisfactory conditions shall be reported to the General Contractor and corrected before the application of Master Builders Solutions products.
- See detail AWRB-28 & 29 for typical brick anchor treatment.
- MasterSeal AWB 970 NP is produced by Master Builders Solutions.
- Fully Coat MasterSeal AWB 970 NP with Senershield-R/-RS/-VB.

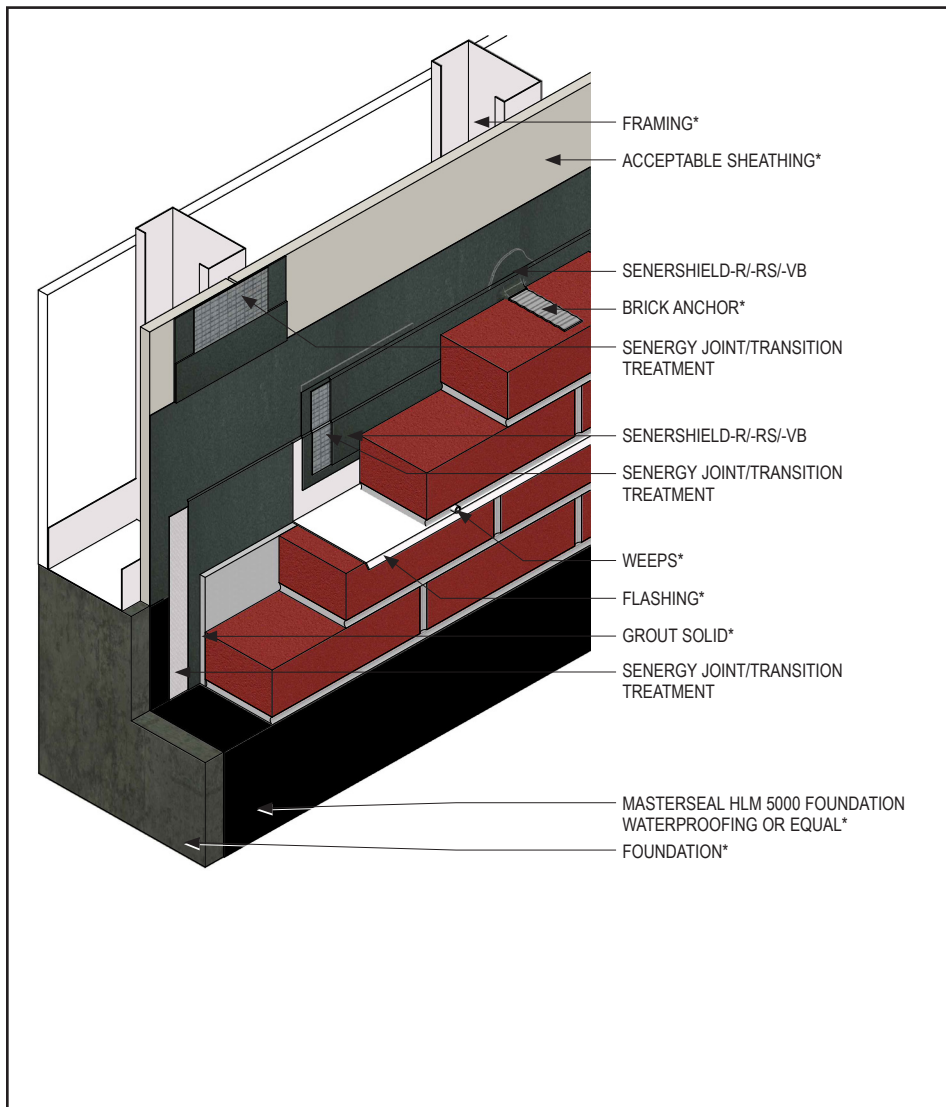
AWRB-24

2109

(\*NOTE: BY OTHERS)

This detail represents Master Builders Solutions Construction Systems US, LLC (hereinafter Master Builders Solutions) latest recommendations. It is presented in good faith by Master Builders Solutions. The detail is subject to change without notice. Master Builders Solutions accepts no liability for the end use of the detail. For conditions not shown, consult Master Builders Solutions for review of specific detail.

## Senersshield-R/-RS/-VB TYPICAL TERMINATION AT GRADE – BRICK



- Install Master Builders Solutions materials in accordance with current installation instructions.
- Unsatisfactory conditions shall be reported to the General Contractor and corrected before the application of Master Builders Solutions products.
- Ensure Senersshield-R/-RS/-VB fully covers Senergy joint treatment at flashing overlap.
- Senergy Joint/Transition Treatment Options: MaxFlash, Sheathing Fabric embedded in Senersshield-R/-RS/-VB or MasterSeal AWB 970 NP.
- Sheathing Fabric, MaxFlash and MasterSeal AWB 970 NP are produced by Master Builders Solutions.
- If MasterSeal AWB 970 NP is used, it must be fully coated with Senersshield-R/-RS/-VB.

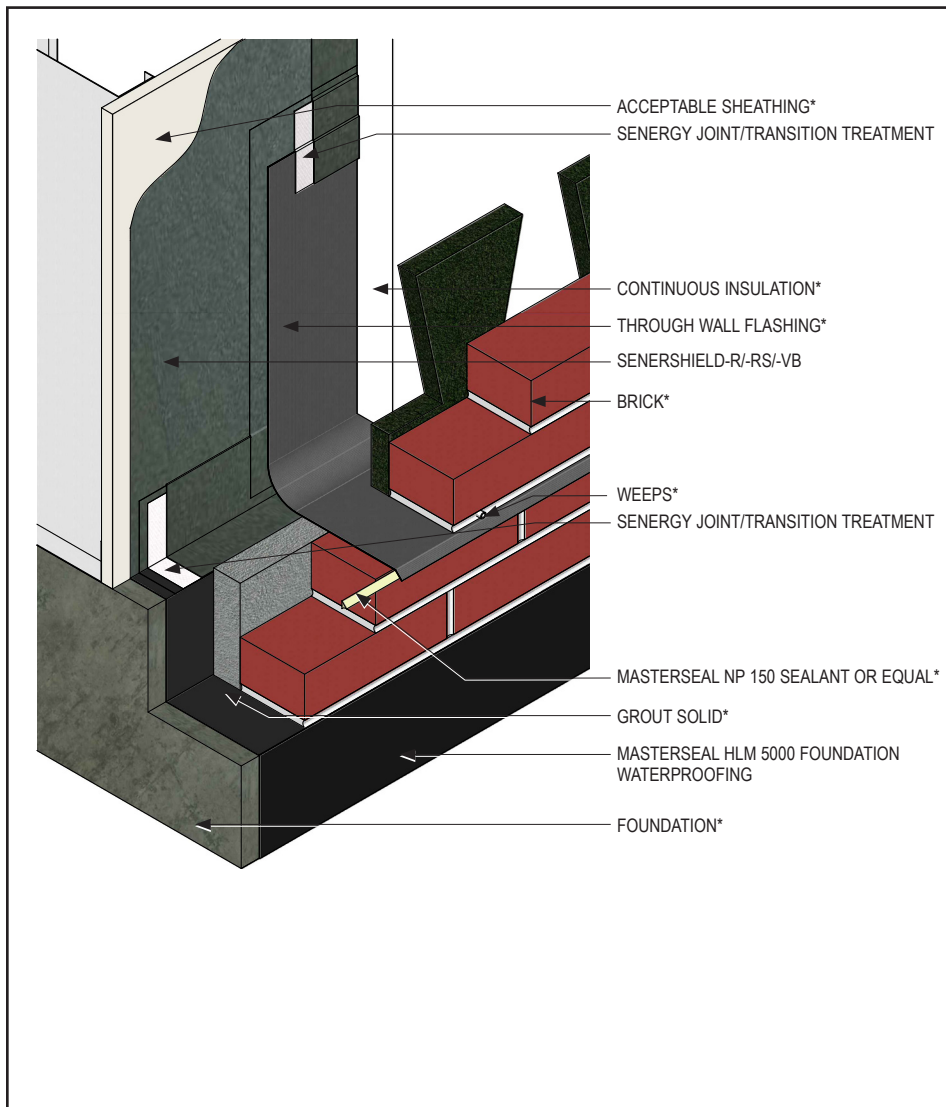
AWRB-25

2109

(\*NOTE: BY OTHERS)

This detail represents Master Builders Solutions Construction Systems US, LLC (hereinafter Master Builders Solutions) latest recommendations. It is presented in good faith by Master Builders Solutions. The detail is subject to change without notice. Master Builders Solutions accepts no liability for the end use of the detail. For conditions not shown, consult Master Builders Solutions for review of specific detail.

## Senershield-R/-RS/-VB TYPICAL TERMINATION AT FOUNDATION WITH THROUGH WALL FLASHING – BRICK



- Install Master Builders Solutions materials in accordance with current installation instructions.
- Unsatisfactory conditions shall be reported to the General Contractor and corrected before the application of Master Builders Solutions products.
- Air space between sheathing and brick per design (not shown).
- Senergy Joint/Transition Treatment Options: MaxFlash, Sheathing Fabric embedded in Senershield-R/-RS/-VB or MasterSeal AWB 970 NP.
- Sheathing Fabric, MaxFlash and MasterSeal AWB 970 NP are produced by Master Builders Solutions.
- If MasterSeal AWB 970 NP is used, it must be fully coated with Senershield-R/-RS/-VB.

AWRB-26

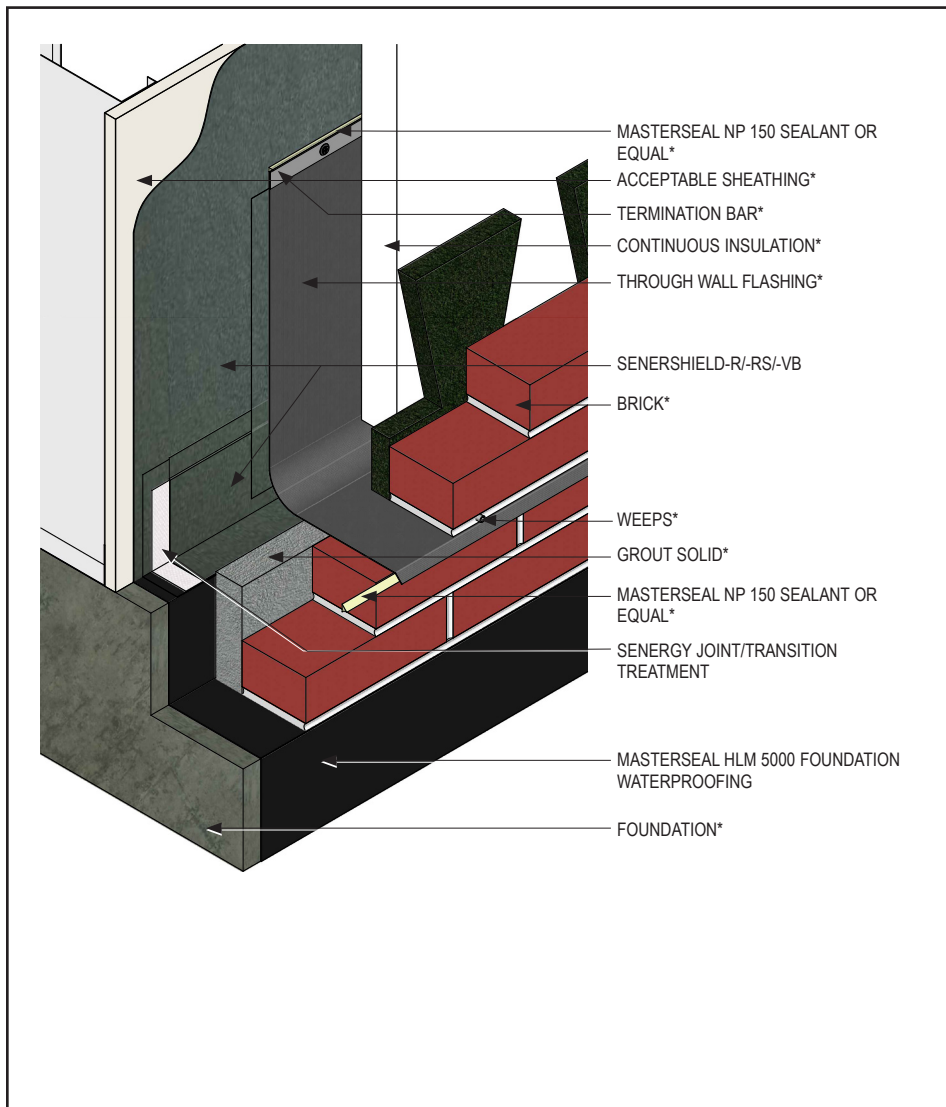
2109

(\*NOTE: BY OTHERS)

This detail represents Master Builders Solutions Construction Systems US, LLC (hereinafter Master Builders Solutions) latest recommendations. It is presented in good faith by Master Builders Solutions. The detail is subject to change without notice. Master Builders Solutions accepts no liability for the end use of the detail. For conditions not shown, consult Master Builders Solutions for review of specific detail.



## Senershield-R/-RS/-VB TYPICAL TERMINATION AT FOUNDATION INCORPORATING TERMINATION BAR WITH THROUGH WALL FLASHING – BRICK



- Install Master Builders Solutions materials in accordance with current installation instructions.
- Unsatisfactory conditions shall be reported to the General Contractor and corrected before the application of Master Builders Solutions products.
- Air space between sheathing and brick per design (not shown).
- Senergy Joint/Transition Treatment Options: MaxFlash, Sheathing Fabric embedded in Senershield or MasterSeal AWB 970 NP.
- Sheathing Fabric, MaxFlash and MasterSeal AWB 970 NP are produced by Master Builders Solutions.
- If MasterSeal AWB 970 NP is used, it must be fully coated with Senershield-R/-RS/-VB.

AWRB-27

2109

(\*NOTE: BY OTHERS)

This detail represents Master Builders Solutions Construction Systems US, LLC (hereinafter Master Builders Solutions) latest recommendations. It is presented in good faith by Master Builders Solutions. The detail is subject to change without notice. Master Builders Solutions accepts no liability for the end use of the detail. For conditions not shown, consult Master Builders Solutions for review of specific detail.

## Senershield-R/-RS/-VB TYPICAL THROUGH WALL FLASHING AT HEAD – BRICK



- Install Master Builders Solutions materials in accordance with current installation instructions.
- Unsatisfactory conditions shall be reported to the General Contractor and corrected before the application of Master Builders Solutions products.
- Center Senergy transitional treatment so half of the width covers through wall flashing and half covers the substrate.
- Senergy Joint/Transition Treatment Options: MaxFlash, Sheathing Fabric embedded in Senershield or MasterSeal AWB 970 NP.
- Sheathing Fabric, MaxFlash and MasterSeal AWB 970 NP are produced by Master Builders Solutions.
- If MasterSeal AWB 970 NP is used, it must be fully coated with Senershield-R/-RS/-VB.

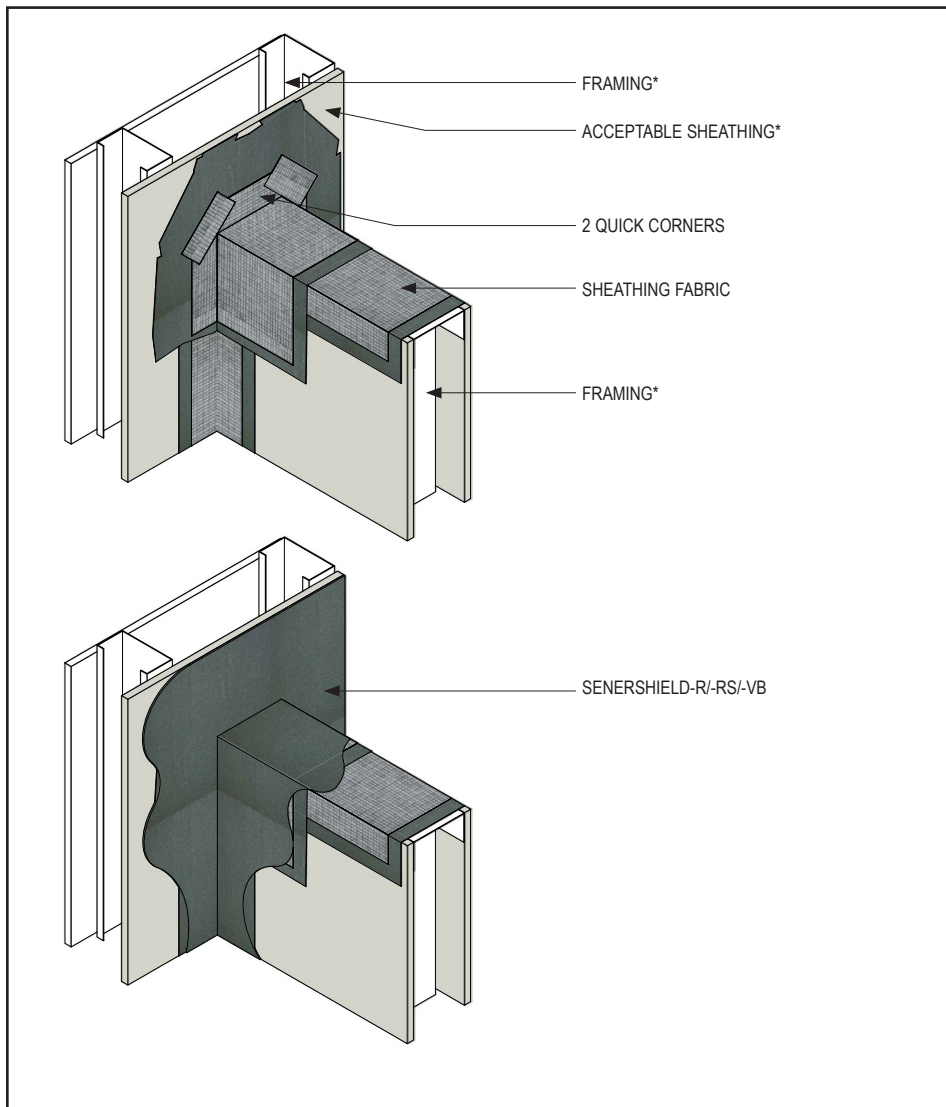
AWRB-28

2109

(\*NOTE: BY OTHERS)

This detail represents Master Builders Solutions Construction Systems US, LLC (hereinafter Master Builders Solutions) latest recommendations. It is presented in good faith by Master Builders Solutions. The detail is subject to change without notice. Master Builders Solutions accepts no liability for the end use of the detail. For conditions not shown, consult Master Builders Solutions for review of specific detail.

## Senershield-R/-RS/-VB TYPICAL SADDLE APPLICATION INCORPORATING SHEATHING FABRIC



- Install Master Builders Solutions materials in accordance with current installation instructions.
- Unsatisfactory conditions shall be reported to the General Contractor and corrected before the application of Master Builders Solutions products.
- Embed Quick Corner and Sheathing Fabric in Senershield-R/-RS/-VB.
- Two Quick Corners are used, one on each side of the saddle.
- Sheathing Fabric and Quick Corners are produced by Master Builders Solutions.

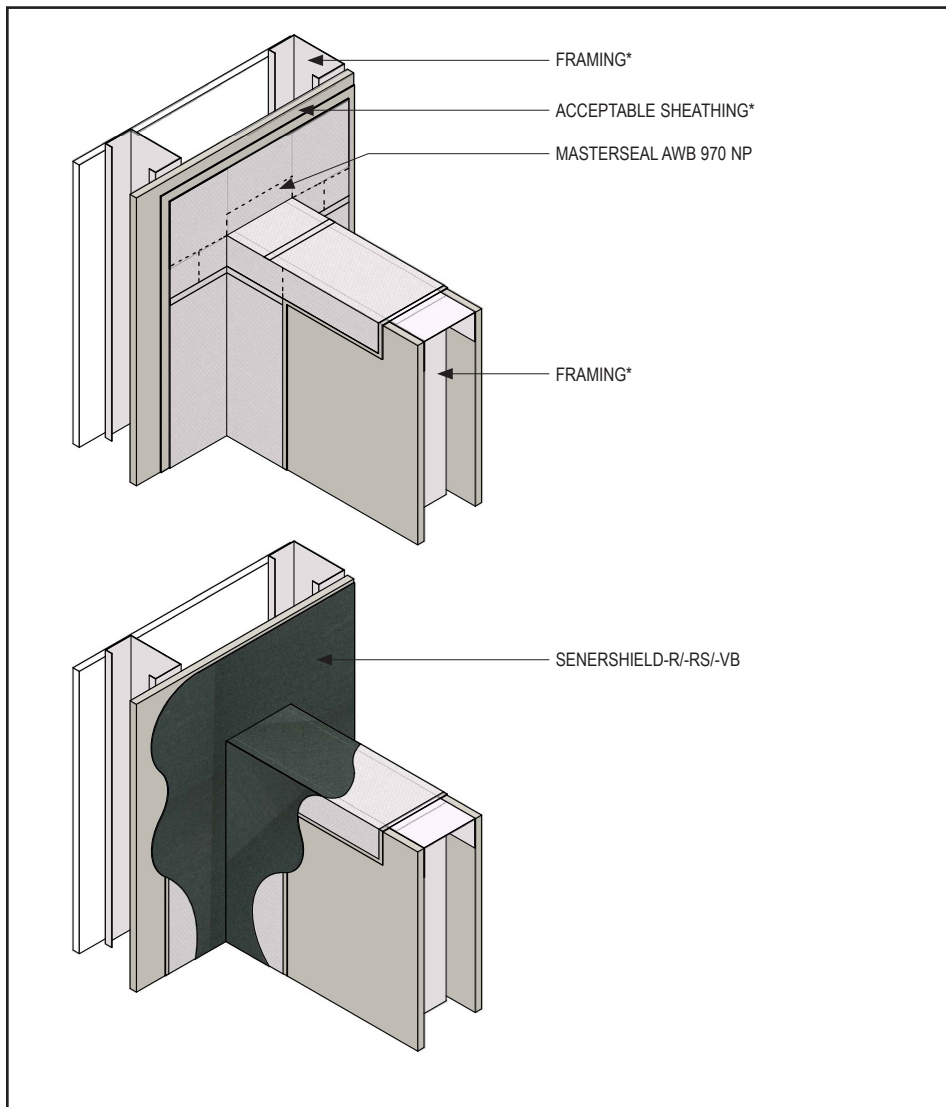
AWRB-29

2109

(\*NOTE: BY OTHERS)

This detail represents Master Builders Solutions Construction Systems US, LLC (hereinafter Master Builders Solutions) latest recommendations. It is presented in good faith by Master Builders Solutions. The detail is subject to change without notice. Master Builders Solutions accepts no liability for the end use of the detail. For conditions not shown, consult Master Builders Solutions for review of specific detail.

## Senershield-R/-RS/-VB TYPICAL SADDLE APPLICATION INCORPORATING MASTER BUILDERS SOLUTIONS WS FLASH



- Install Master Builders Solutions materials in accordance with current installation instructions.
- Unsatisfactory conditions shall be reported to the General Contractor and corrected before the application of Master Builders Solutions products.
- Fully Coat MasterSeal AWB 970 NP with Senershield-R/-RS/-VB.

AWRB-30

2109

(\*NOTE: BY OTHERS)

This detail represents Master Builders Solutions Construction Systems US, LLC (hereinafter Master Builders Solutions) latest recommendations. It is presented in good faith by Master Builders Solutions. The detail is subject to change without notice. Master Builders Solutions accepts no liability for the end use of the detail. For conditions not shown, consult Master Builders Solutions for review of specific detail.

## Senershield-R/-RS/-VB TYPICAL KICK-OUT FLASHING



- Install Master Builders Solutions materials in accordance with current installation instructions.
- Unsatisfactory conditions shall be reported to the General Contractor and corrected before the application of Master Builders Solutions products.
- Where Senergy joint/transition treatment is installed over the flashing, ensure termination occurs a minimum of 2" above the roof.
- Senergy Joint/Transition Treatment Options: MaxFlash, Sheathing Fabric embedded in Senershield or MasterSeal AWB 970 NP.
- Sheathing Fabric, MaxFlash and MasterSeal AWB 970 NP are produced by Master Builders Solutions.
- If MasterSeal AWB 970 NP is used, it must be fully coated with Senershield-R/-RS/-VB.

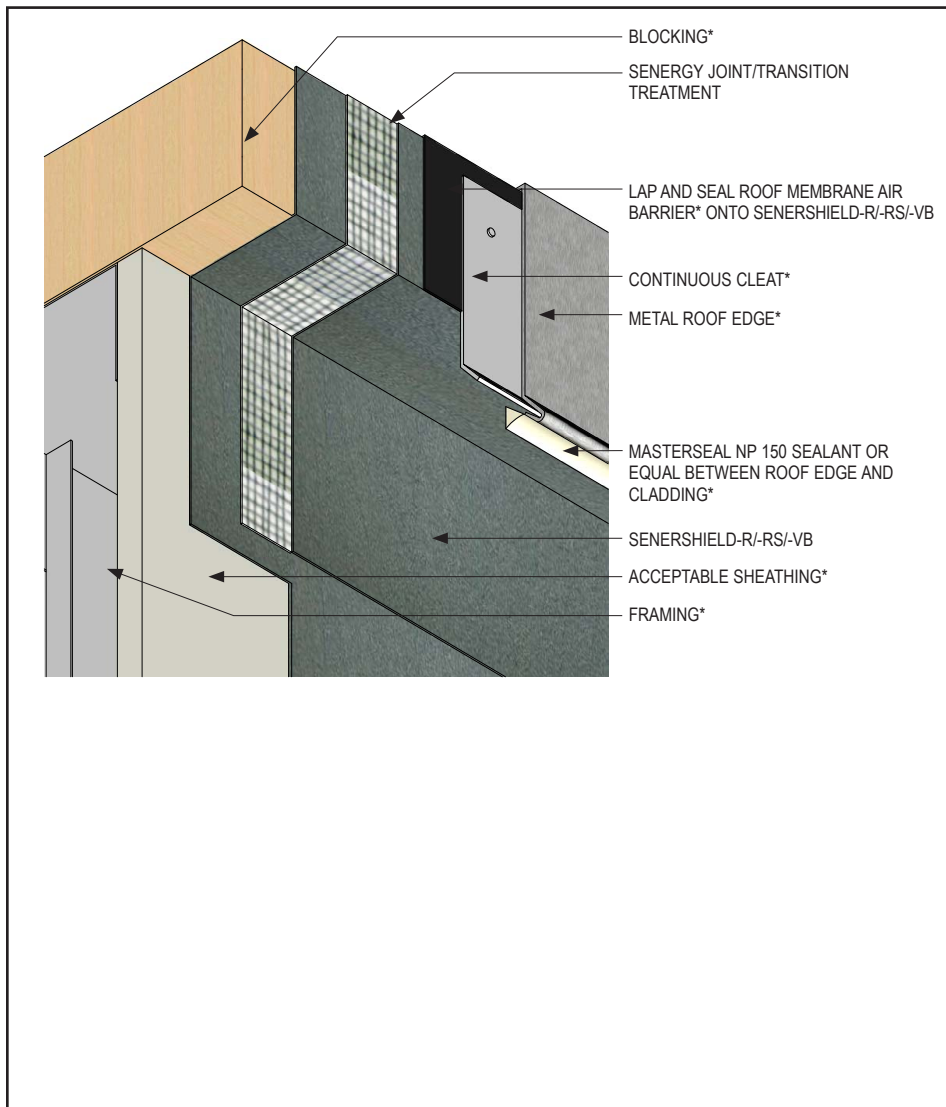
AWRB-31

2109

(\*NOTE: BY OTHERS)

This detail represents Master Builders Solutions Construction Systems US, LLC (hereinafter Master Builders Solutions) latest recommendations. It is presented in good faith by Master Builders Solutions. The detail is subject to change without notice. Master Builders Solutions accepts no liability for the end use of the detail. For conditions not shown, consult Master Builders Solutions for review of specific detail.

## Senershield-R/-RS/-VB TYPICAL ROOF EDGE FLASHING



- Install Master Builders Solutions materials in accordance with current installation instructions.
- Unsatisfactory conditions shall be reported to the General Contractor and corrected before the application of Master Builders Solutions products.
- Ensure continuity of air barrier is maintained.
- Avoid solvent-based adhesives/primers where roofing laps Senershield-R/-RS/-VB.
- Senergy Joint/Transition Treatment Options: MaxFlash, Sheathing Fabric embedded in Senershield or MasterSeal AWB 970 NP.
- Sheathing Fabric, MaxFlash and MasterSeal AWB 970 NP are produced by Master Builders Solutions.
- If MasterSeal AWB 970 NP is used, it must be fully coated with Senershield-R/-RS/-VB.

AWRB-32

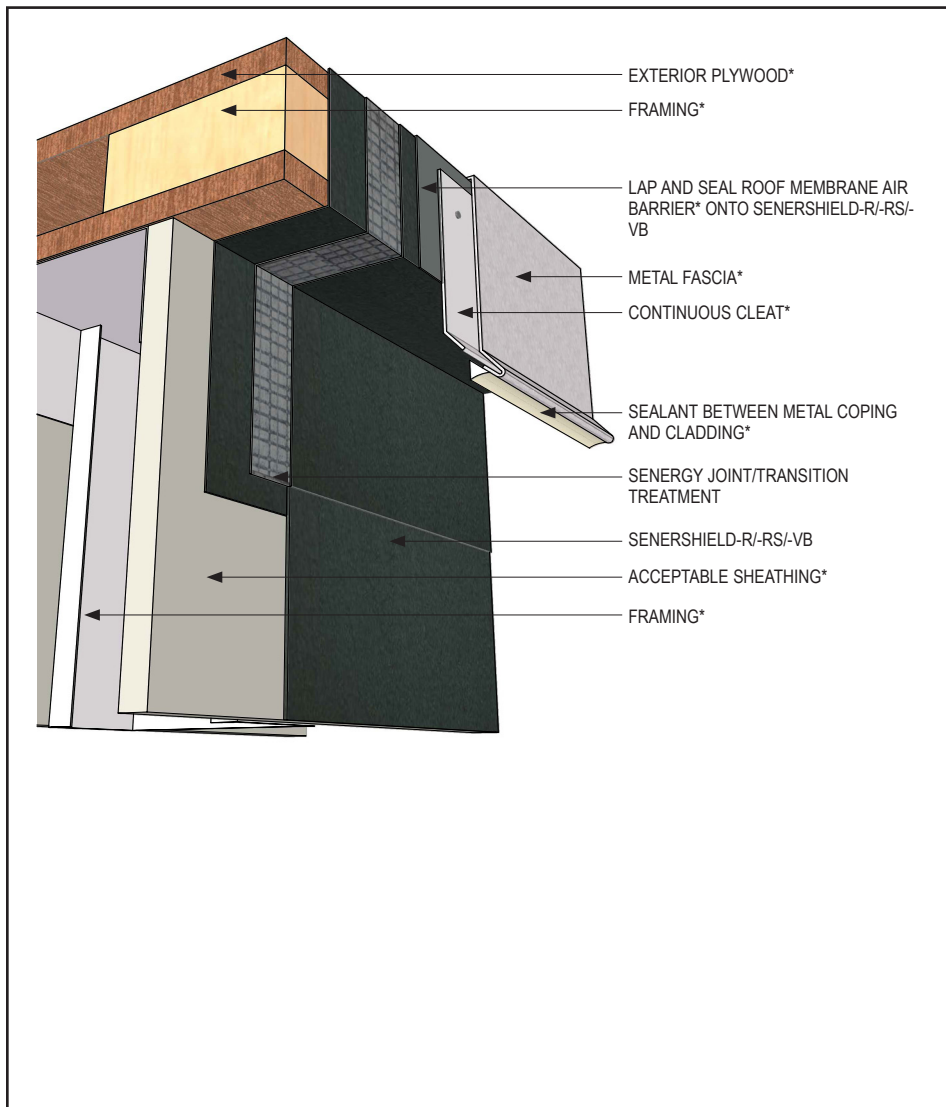
2109

(\*NOTE: BY OTHERS)

This detail represents Master Builders Solutions Construction Systems US, LLC (hereinafter Master Builders Solutions) latest recommendations. It is presented in good faith by Master Builders Solutions. The detail is subject to change without notice. Master Builders Solutions accepts no liability for the end use of the detail. For conditions not shown, consult Master Builders Solutions for review of specific detail.



## Senershield-R/-RS/-VB TYPICAL ROOF EDGE FLASHING



- Install Master Builders Solutions materials in accordance with current installation instructions.
- Unsatisfactory conditions shall be reported to the General Contractor and corrected before the application of Master Builders Solutions products.
- Senergy Joint/Transition Treatment Options: MaxFlash, Sheathing Fabric embedded in Senershield or MasterSeal AWB 970 NP.
- Sheathing Fabric, MaxFlash and MasterSeal AWB 970 NP are produced by Master Builders Solutions.
- If MasterSeal AWB 970 NP is used, it must be fully coated with Senershield-R/-RS/-VB.

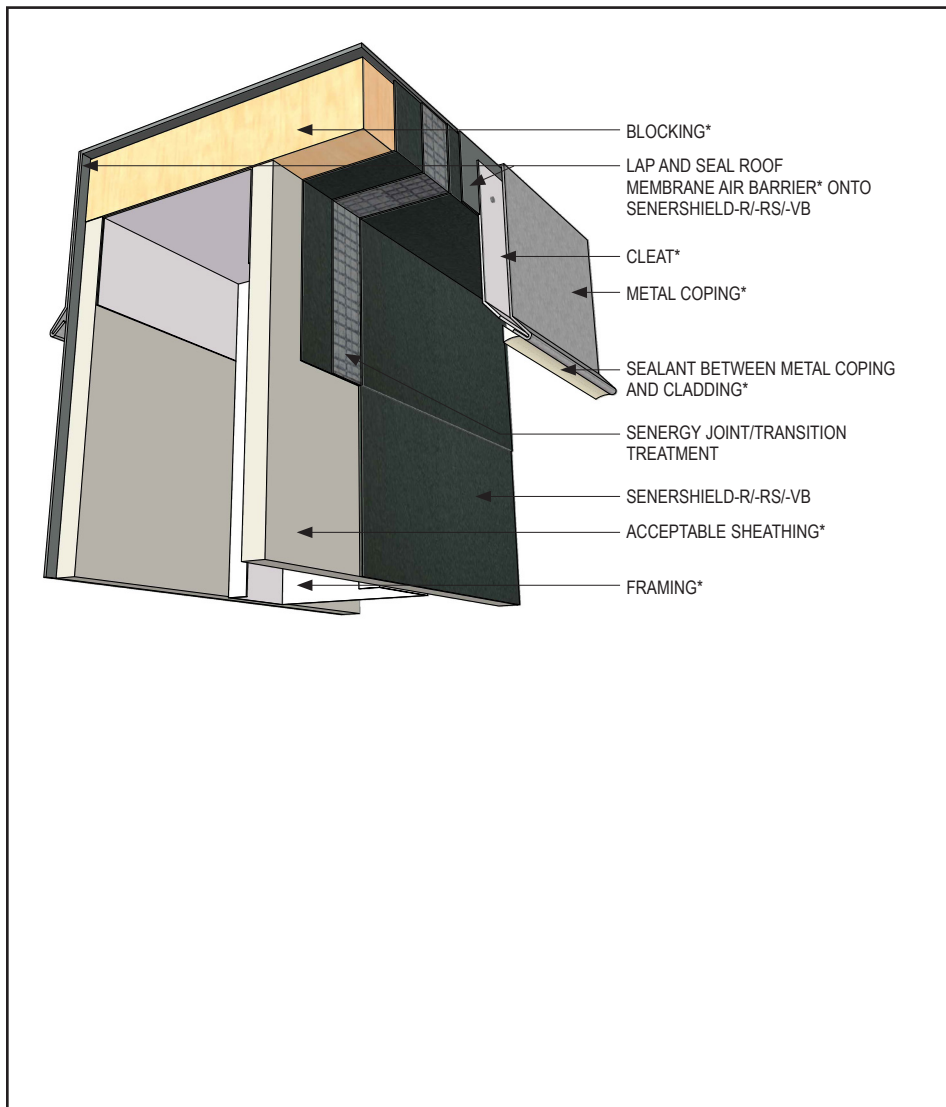
AWRB-33

2109

(\*NOTE: BY OTHERS)

This detail represents Master Builders Solutions Construction Systems US, LLC (hereinafter Master Builders Solutions) latest recommendations. It is presented in good faith by Master Builders Solutions. The detail is subject to change without notice. Master Builders Solutions accepts no liability for the end use of the detail. For conditions not shown, consult Master Builders Solutions for review of specific detail.

## Senershield-R/-RS/-VB TYPICAL PARAPET CAP FLASHING



- Install Master Builders Solutions materials in accordance with current installation instructions.
- Unsatisfactory conditions shall be reported to the General Contractor and corrected before the application of Master Builders Solutions products.
- Master Builders Solutions WS Flash may be used as an alternate to provide an air/water-resistive barrier at transition of sheathing to blocking.
- Senergy Joint/Transition Treatment Options: MaxFlash, Sheathing Fabric embedded in Senershield or MasterSeal AWB 970 NP.
- Sheathing Fabric, MaxFlash and MasterSeal AWB 970 NP are produced by Master Builders Solutions.
- If MasterSeal AWB 970 NP is used, it must be fully coated with Senershield-R/-RS/-VB.

AWRB-34

2109

(\*NOTE: BY OTHERS)

This represents Master Builders Solutions Construction Systems US, LLC (hereinafter Master Builders Solutions) latest recommendations. It is presented in good faith by Master Builders Solutions. The detail is subject to change without notice. Master Builders Solutions accepts no liability for the end use of the detail. For conditions not shown, consult Master Builders Solutions for review of specific detail.

## **Warranty**

Master Builders Solutions Construction Systems US, LLC ("Master Builders") warrants this product to be free from manufacturing defects and to meet the technical properties on the current Technical Data Guide, if used as directed within shelf life. Satisfactory results depend not only on quality products but also upon many factors beyond our control. Master Builders MAKES NO OTHER WARRANTY OR GUARANTEE, EXPRESS OR IMPLIED, INCLUDING WARRANTIES OF MERCHANTABILITY OR FITNESS FOR A PARTICULAR PURPOSE WITH RESPECT TO ITS PRODUCTS. The sole and exclusive remedy of Purchaser for any claim concerning this product, including but not limited to, claims alleging breach of warranty, negligence, strict liability or otherwise, is shipment to purchaser of product equal to the amount of product that fails to meet this warranty or refund of the original purchase price of product that fails to meet this warranty, at the sole option of Master Builders. Any claims concerning this product must be received in writing within one (1) year from the date of shipment and any claims not presented within that period are waived by Purchaser. Master Builders WILL NOT BE RESPONSIBLE FOR ANY SPECIAL, INCIDENTAL, CONSEQUENTIAL (INCLUDING LOST PROFITS) OR PUNITIVE DAMAGES OF ANY KIND.

Purchaser must determine the suitability of the products for the intended use and assumes all risks and liabilities in connection therewith. This information and all further technical advice are based on Master Builders' present knowledge and experience. However, Master Builders assumes no liability for providing such information and advice including the extent to which such information and advice may relate to existing third party intellectual property rights, especially patent rights, nor shall any legal relationship be created by or arise from the provision of such information and advice. Master Builders reserves the right to make any changes according to technological progress or further developments. The Purchaser of the Product(s) must test the product(s) for suitability for the intended application and purpose before proceeding with a full application of the product(s). Performance of the product described herein should be verified by testing and carried out by qualified experts.

**For professional use only. Not for sale to or use by the general public.**

For the most current version of this literature, please visit our website at [senergy.master-builders-solutions.com/en](http://senergy.master-builders-solutions.com/en).

**Master Builders Solutions Construction Systems US, LLC**

889 Valley Park Drive, Shakopee, MN 55379  
[senergy.master-builders-solutions.com/en](http://senergy.master-builders-solutions.com/en)

**Customer Service** +1 (800) 433-9517  
**Technical Service** +1 (800) 589-1336