

# ***Senergy***<sup>®</sup>



## **Senershield-R/-RS/-VB**

Framed Construction Incorporating Fluid-Applied  
Senergy Air/Water-Resistive Barriers

Typical Details

**BUILDING TRUST**



# Senershield-R/-RS/-VB

## Typical Details

### Framed Construction Incorporating Senergy Fluid-Applied Air/Water-Resistive Barriers

#### Table of Contents

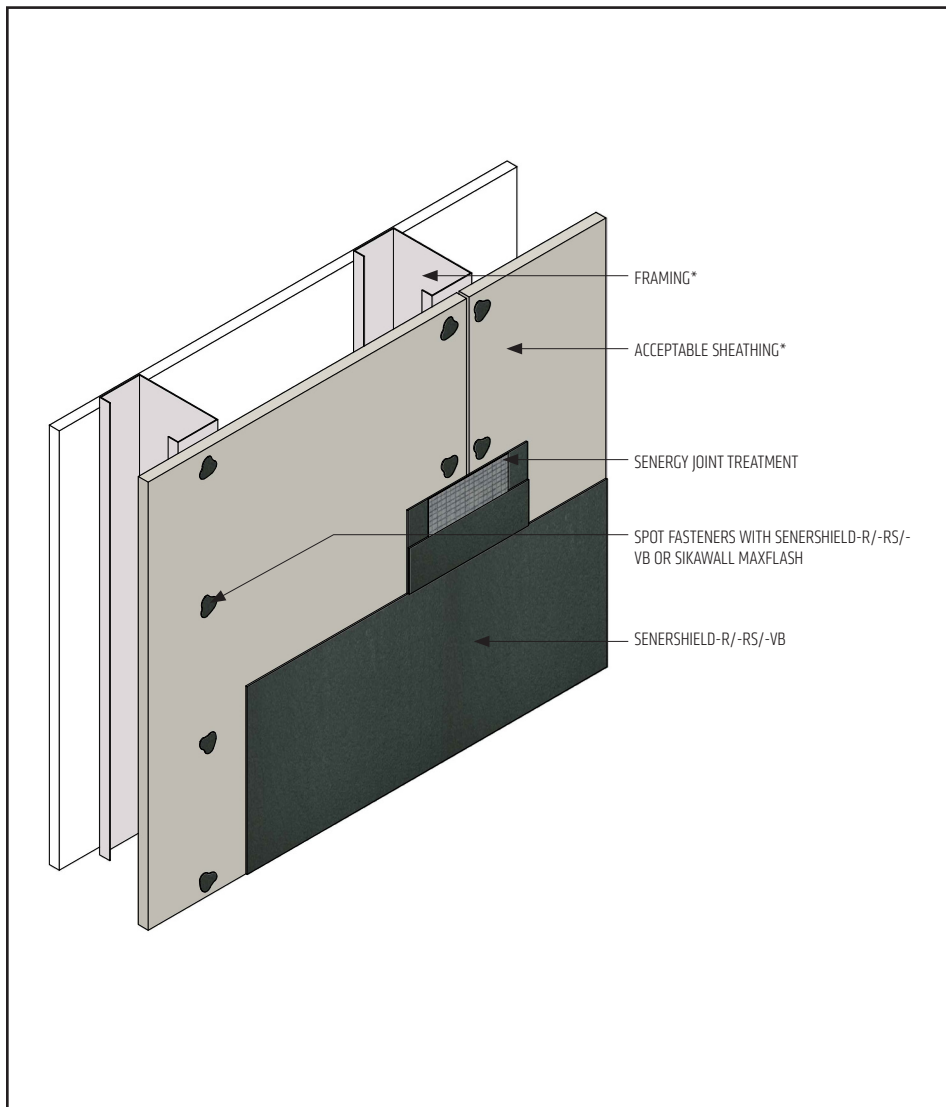
1. Joint and Fastener Treatment	18. Pan Flashing
2. Vertical Expansion Joint	19. Termination at Grade – Sheathing Overlapping Foundation
3. Rough Opening Corner Reinforcement	20. Termination at Grade – Sheathing Flush with Foundation
4. Rough Opening Reinforcement with Sheathing Fabric	21. Termination at Grade – Masonry Veneer
5. Fast Corner Application	22. Brick Anchor Treatment (Installed Prior to AWRB Application)
6. Rough Opening Reinforcement with Fast Corners and Sheathing Fabric	23. Brick Anchor Treatment (Installed After AWRB Application)
7. Rough Opening Reinforcement with Fast Corners and SikaWall Flash Seal NP	24. Brick Expansion Joint
8. Penetration through Wall Construction (Sheathing Fabric Only)	25. Termination at Grade – Brick
9. Through Wall Construction (with MaxFlash or Sealant)	26. Termination at Foundation with Through Wall Flashing – Brick
10. Penetration through Wall Construction (Rough Cut)	27. Termination at Foundation incorporating a Termination Bar with Through Wall Flashing – Brick
11. Inside Corner Change in Substrate	28. Through Wall Flashing at Head – Brick
12. Inside Corner	29. Saddle Application incorporating Sheathing Fabric
13. Outside Corner	30. Saddle Application incorporating SikaWall Flash Seal NP
14. Window Flange Treatment	31. Kick-Out Flashing
15. Window Head	32. Roof Edge Flashing
16. Window Jamb	33. Roof Edge Flashing
17. Window Sill	34. Parapet Cap Flashing

#### Notes:

- **The details within are latest recommendations and are represent in good faith by Sika Corporation US (hereinafter Sika). The details are subject to change without notice. Sika accepts no liability for the end use of the details. For conditions not shown, consult Sika for review of specific details.**
- **Install Sika materials in accordance with current installation instructions.**
- **Unsatisfactory conditions shall be reported to the General Contractor and corrected before the application of Sika products.**

## Senershield-R/-RS/-VB

### TYPICAL JOINT AND FASTENER TREATMENT



- Ensure all fastener heads are spotted with Senershield-R/-RS/-VB or SikaWall MaxFlash. Spotting fasteners at sheathing joints is optional.
- For more information, reference the selected Senergy air/water-resistive barrier product bulletin.
- Senergy Joint Treatment Options: SikaWall MaxFlash, SikaWall Sheathing Fabric embedded in Senershield-R/-RS/-VB or SikaWall Flash Seal NP.
- SikaWall Sheathing Fabric can treat joints up to 1/4" wide. SikaWall MaxFlash can treat joints up to 1/2" wide.  
Note: Not for use at expansion joints.

AWRB-01 2401

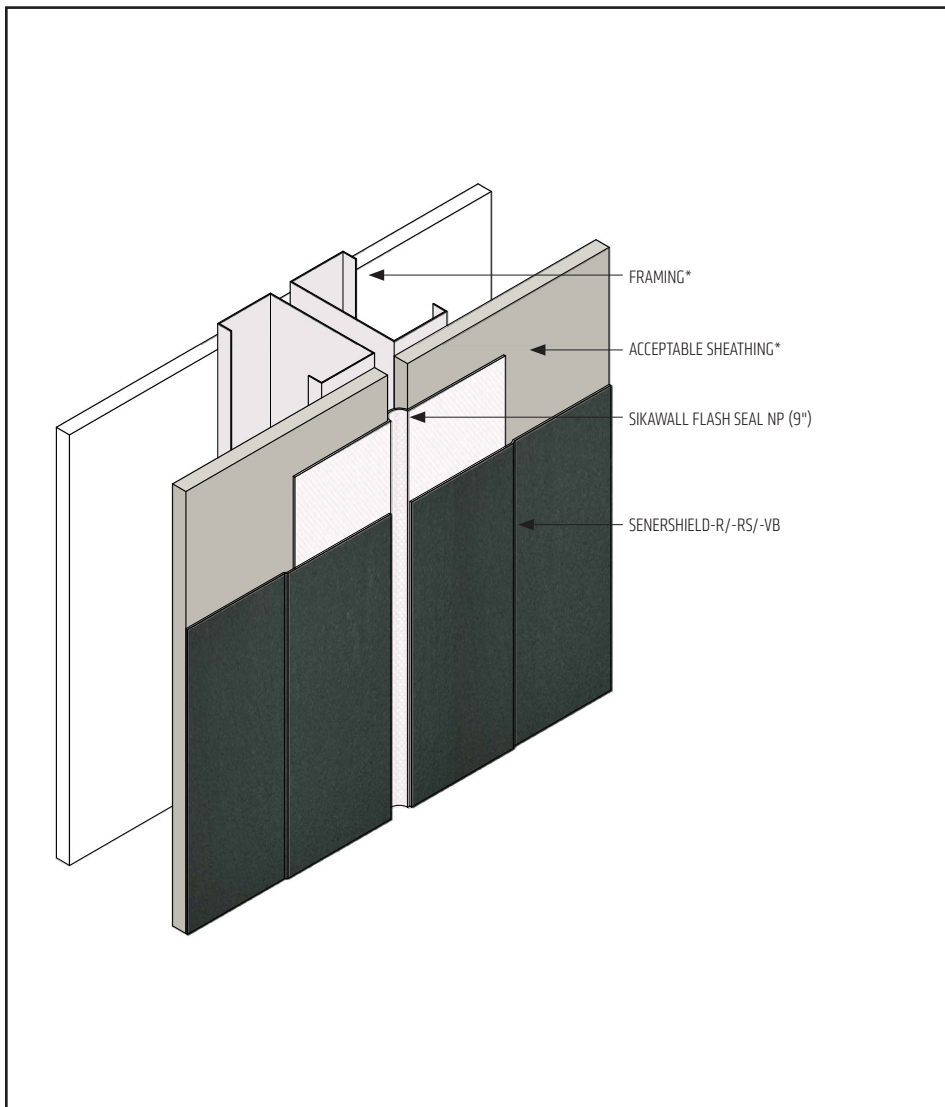
(\*NOTE: BY OTHERS)

The details within are latest recommendations and are represent in good faith by Sika Corporation US (hereinafter Sika). The details are subject to change without notice. Sika accepts no liability for the end use of the details. For conditions not shown, consult Sika for review of specific details.

- Install Sika materials in accordance with current installation instructions.
- Unsatisfactory conditions shall be reported to the General Contractor and corrected before the application of Sika products.

## Senershield-R/-RS/-VB

### TYPICAL VERTICAL EXPANSION JOINT



- Provide sufficient slack in the SikaWall Flash Seal NP at expansion joint to allow for movement.
- Fully Coat SikaWall Flash Seal NP with Senershield-R/-RS/-VB.

AWRB-02 2401

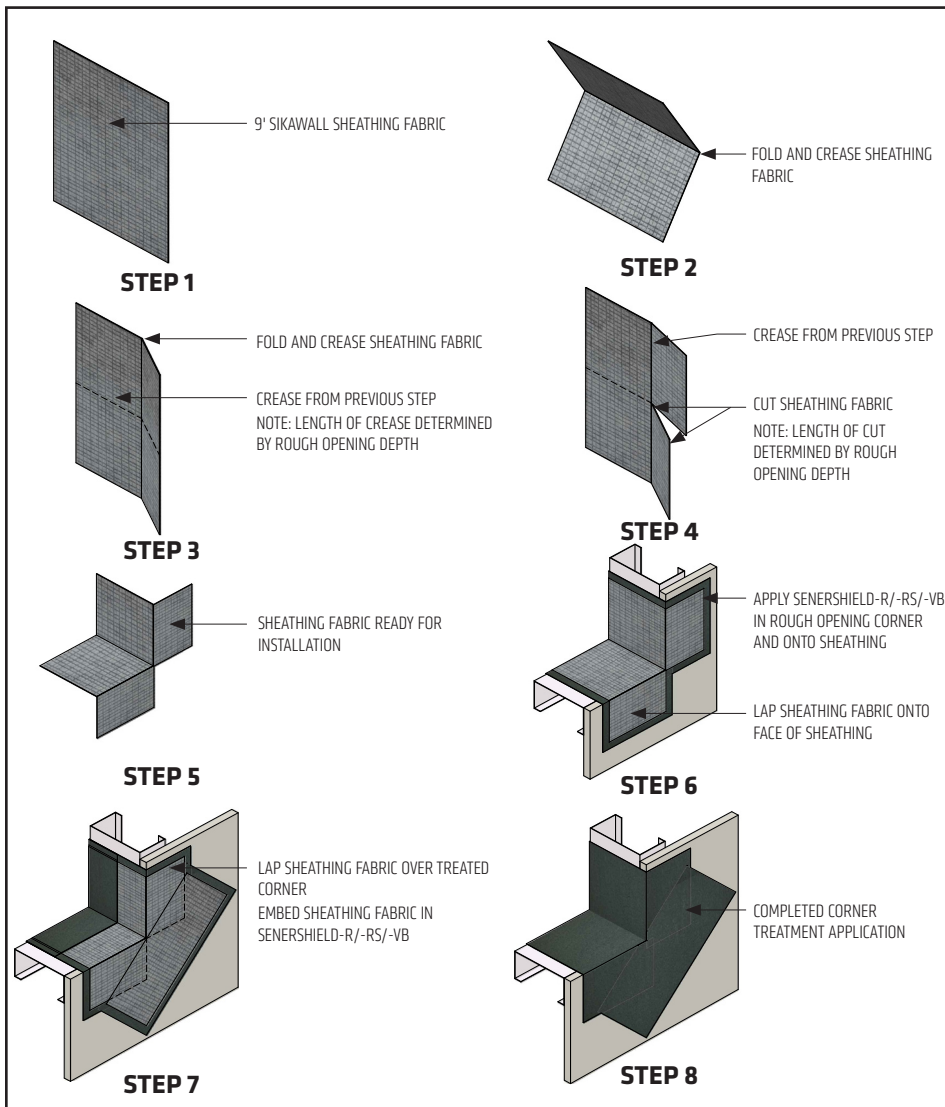
(\*NOTE: BY OTHERS)

The details within are latest recommendations and are represent in good faith by Sika Corporation US (hereinafter Sika). The details are subject to change without notice. Sika accepts no liability for the end use of the details. For conditions not shown, consult Sika for review of specific details.

- Install Sika materials in accordance with current installation instructions.
- Unsatisfactory conditions shall be reported to the General Contractor and corrected before the application of Sika products.

## Senershield-R/-RS/-VB

### TYPICAL ROUGH OPENING CORNER REINFORCEMENT



- Wrap rough opening in accordance with Detail AWRB-04, AWRB-06 or AWRB-07.

AWRB-03 2401

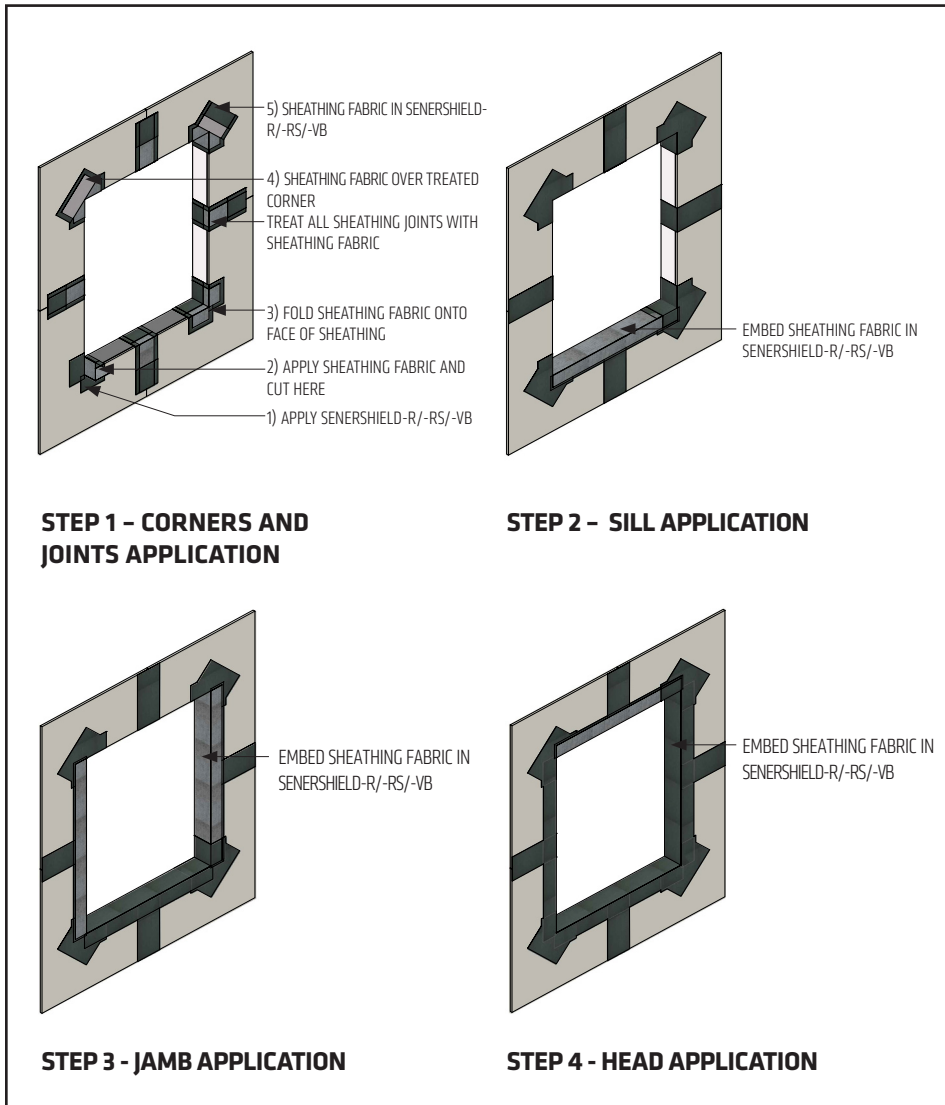
(\*NOTE: BY OTHERS)

The details within are latest recommendations and are represent in good faith by Sika Corporation US (hereinafter Sika). The details are subject to change without notice. Sika accepts no liability for the end use of the details. For conditions not shown, consult Sika for review of specific details.

- Install Sika materials in accordance with current installation instructions.
- Unsatisfactory conditions shall be reported to the General Contractor and corrected before the application of Sika products.

## Senershield-R/-RS/-VB

### TYPICAL ROUGH OPENING REINFORCEMENT WITH SIKAWALL SHEATHING FABRIC



- Ensure SikaWall Sheathing Fabric is embedded in Senershield-R/-RS/-VB.
- Ensure Senershield-R/-RS/-VB and SikaWall Sheathing Fabric are installed without voids and pinholes.
- Apply SikaWall Flash Seal NP over punched stud openings.

AWRB-04 2401

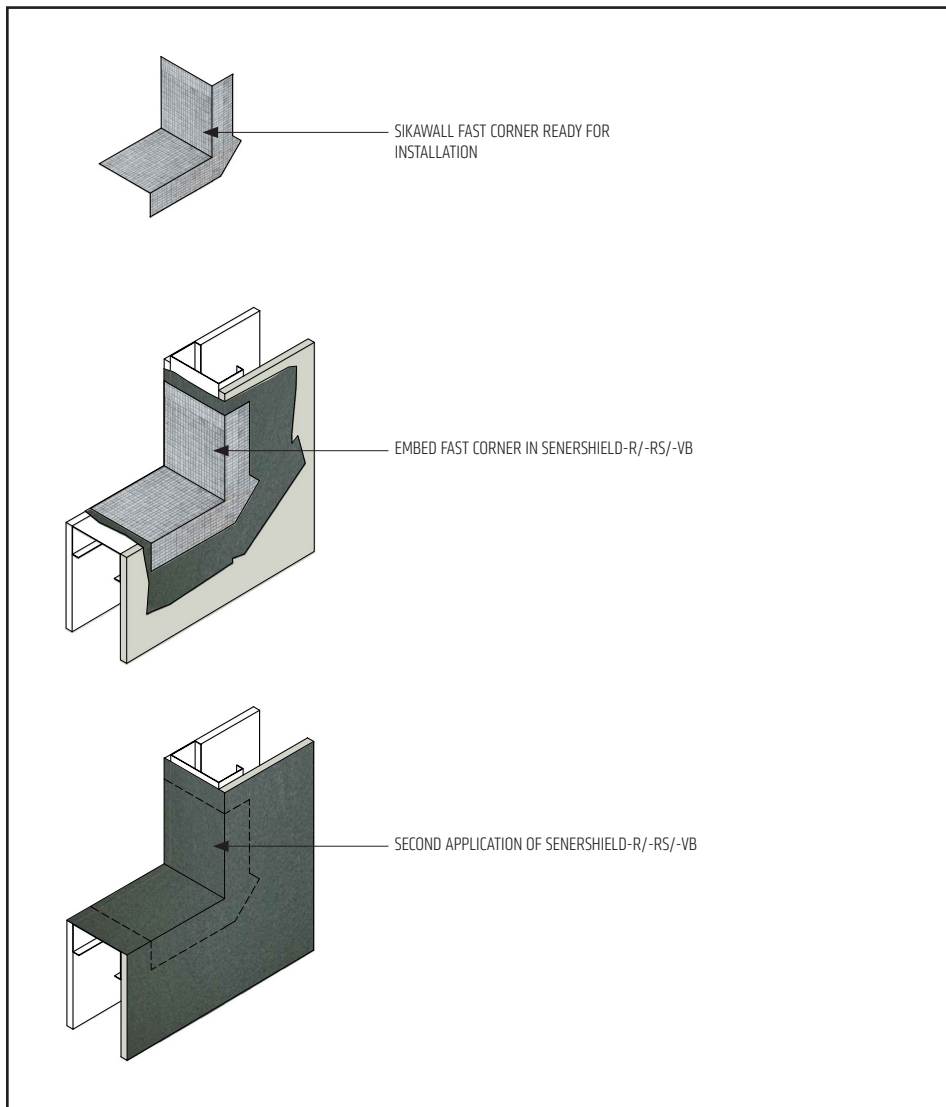
(\*NOTE: BY OTHERS)

The details within are latest recommendations and are represent in good faith by Sika Corporation US (hereinafter Sika). The details are subject to change without notice. Sika accepts no liability for the end use of the details. For conditions not shown, consult Sika for review of specific details.

- Install Sika materials in accordance with current installation instructions.
- Unsatisfactory conditions shall be reported to the General Contractor and corrected before the application of Sika products.

## Senershield-R/-RS/-VB

### TYPICAL SIKAWALL FAST CORNER FABRIC APPLICATION



- For additional information reference SikaWall Fast Corner Fabric Product Data Sheet.

AWRB-05 2401

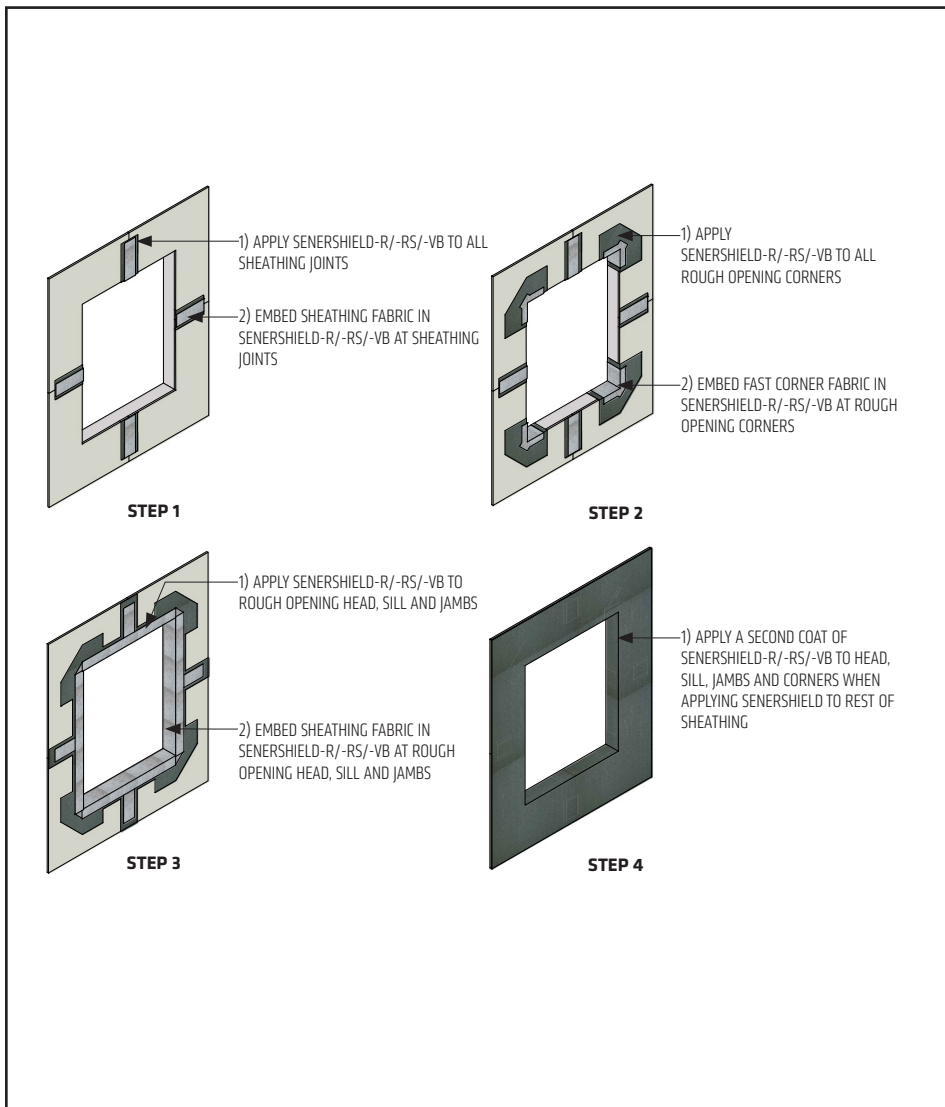
(\*NOTE: BY OTHERS)

The details within are latest recommendations and are represent in good faith by Sika Corporation US (hereinafter Sika). The details are subject to change without notice. Sika accepts no liability for the end use of the details. For conditions not shown, consult Sika for review of specific details.

- Install Sika materials in accordance with current installation instructions.
- Unsatisfactory conditions shall be reported to the General Contractor and corrected before the application of Sika products.

## Senershield-R/-RS/-VB

### TYPICAL ROUGH OPENING CORNER TREATMENT WITH SIKAWALL FAST CORNER FABRIC AND SIKAWALL SHEATHING FABRIC



- Apply SikaWall Flash Seal NP over punched stud openings.
- Fully coat SikaWall Flash Seal NP with Senershield-R/-RS/-VB.

AWRB-06 2401

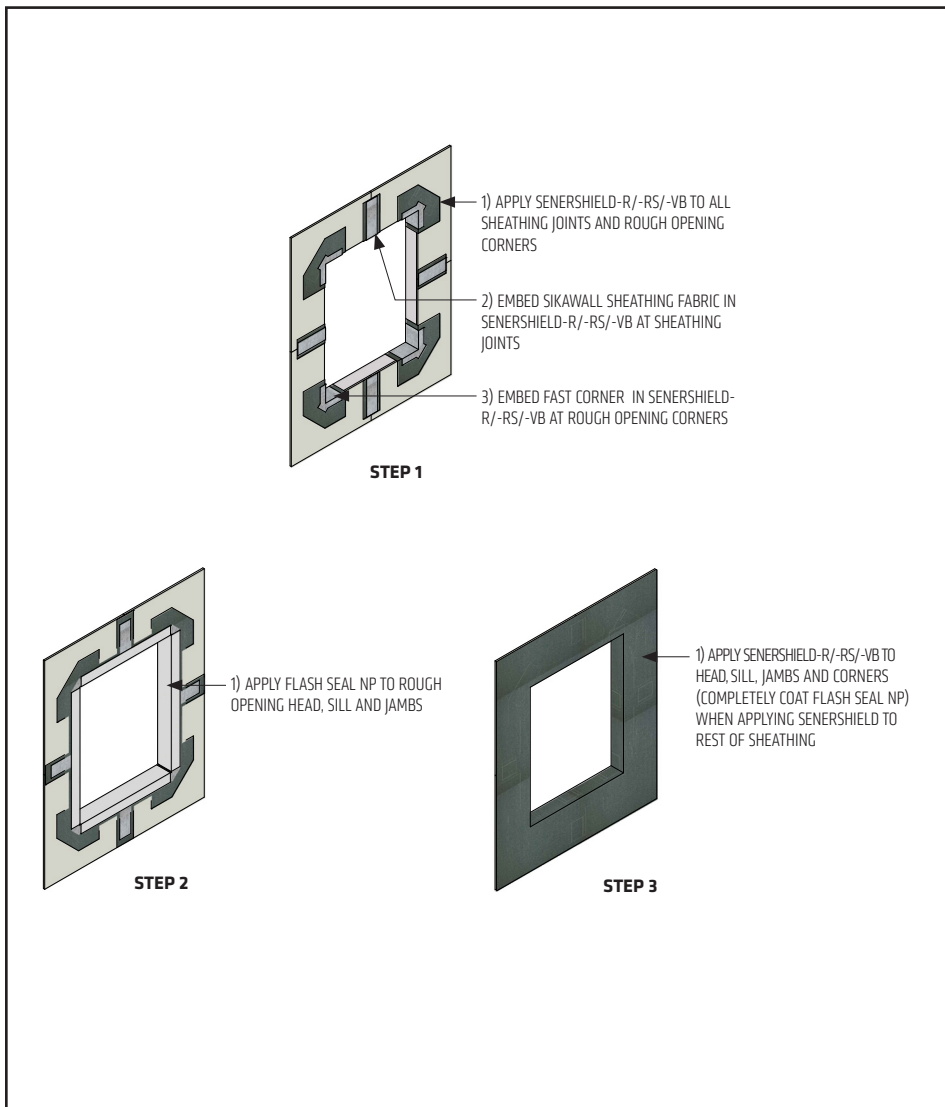
(\*NOTE: BY OTHERS)

The details within are latest recommendations and are represent in good faith by Sika Corporation US (hereinafter Sika). The details are subject to change without notice. Sika accepts no liability for the end use of the details. For conditions not shown, consult Sika for review of specific details.

- Install Sika materials in accordance with current installation instructions.
- Unsatisfactory conditions shall be reported to the General Contractor and corrected before the application of Sika products.

## Senershield-R/-RS/-VB

### TYPICAL ROUGH OPENING CORNER TREATMENT WITH SIKAWALL FAST CORNER AND SIKAWALL FLASH SEAL NP



- Apply SikaWall Flash Seal NP over punched stud openings.
- SikaWall Sheathing Fabric and SikaWall Flash Seal NP are produced by Sika.
- Fully coat SikaWall Flash Seal NP with Senershield-R/-RS/-VB.

AWRB-07 2401

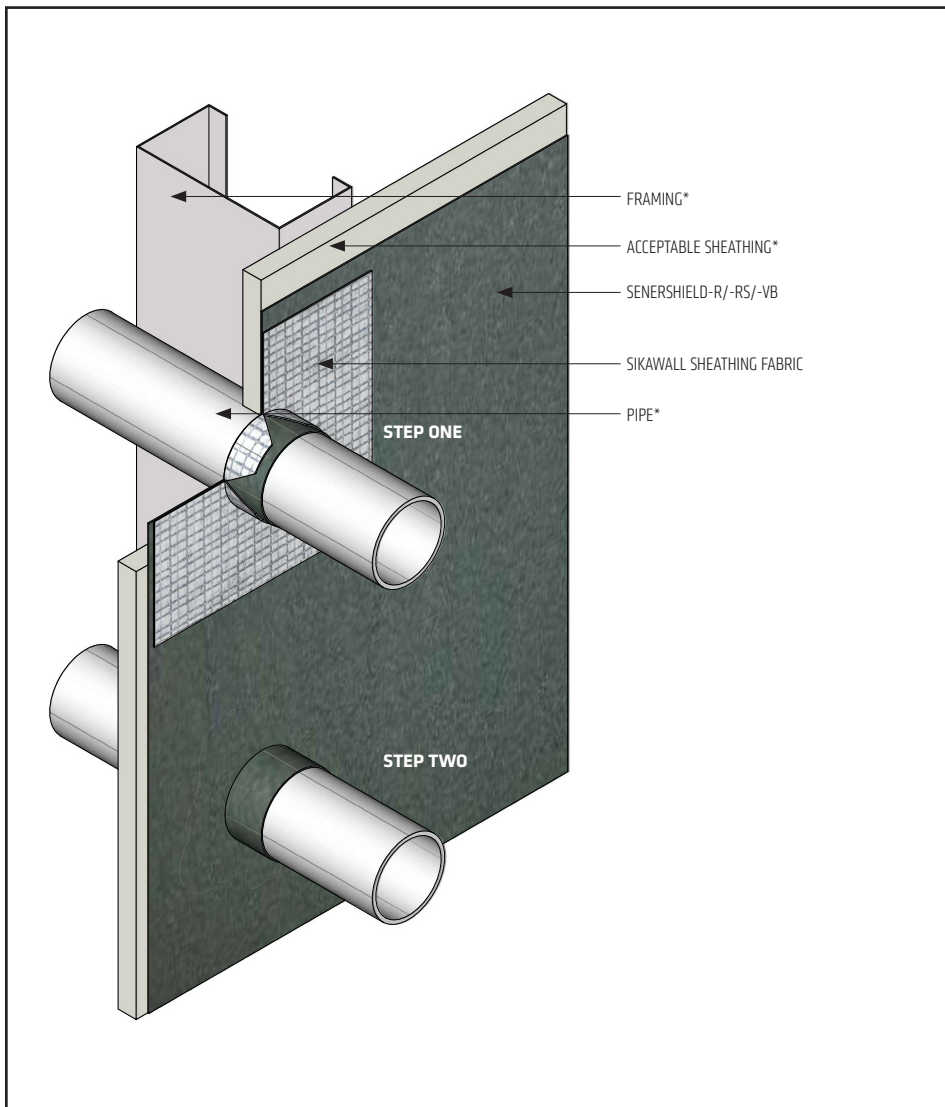
(\*NOTE: BY OTHERS)

The details within are latest recommendations and are represent in good faith by Sika Corporation US (hereinafter Sika). The details are subject to change without notice. Sika accepts no liability for the end use of the details. For conditions not shown, consult Sika for review of specific details.

- Install Sika materials in accordance with current installation instructions.
- Unsatisfactory conditions shall be reported to the General Contractor and corrected before the application of Sika products.

## Senershield-R/-RS/-VB

### TYPICAL PENETRATION THROUGH WALL CONSTRUCTION (SIKAWALL SHEATHING FABRIC ONLY)



- Cut a square piece of SikaWall Sheathing Fabric large enough to extend past the pipe by 2" in each direction.
- At the center of the square piece of SikaWall, pierce a small hole with a blade or scissors.
- With a blade or scissors, cut an "X". Turn the square about 45° and cut another X. The center point of both "X"s will be the point you pierced previously.
- Insert the pipe through the newly cut square so it is centered with a minimum of 2" on each side with the cut flaps point outward. The square should be flush with the sheathing, See Step 1.
- Embed the SikaWall Sheathing Fabric in Senershield-R/-RS/-VB and coat the flaps around the pipe, See Step 2.
- Wrap a 1" strip of SikaWall Sheathing Fabric embedded in Senershield-R/-RS/-VB around the flaps.

AWRB-08 2401

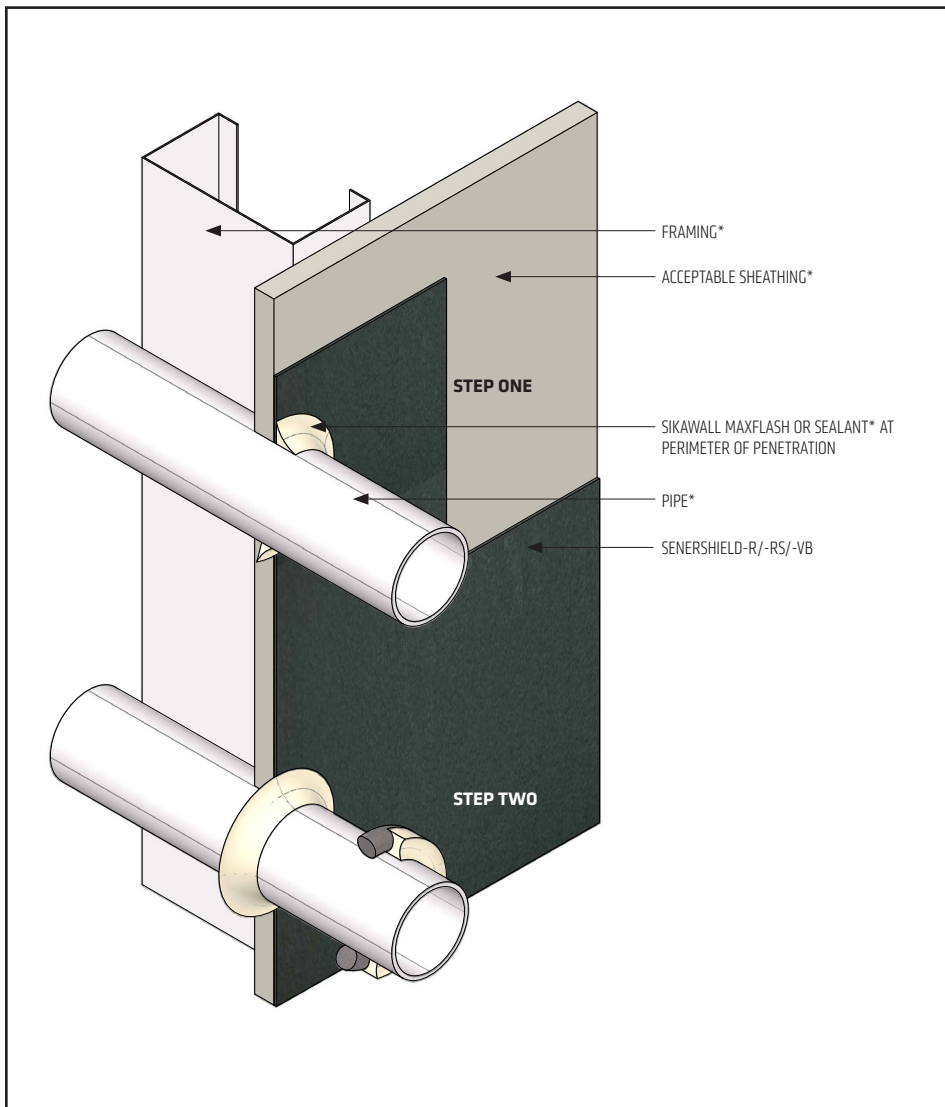
(\*NOTE: BY OTHERS)

The details within are latest recommendations and are represent in good faith by Sika Corporation US (hereinafter Sika). The details are subject to change without notice. Sika accepts no liability for the end use of the details. For conditions not shown, consult Sika for review of specific details.

- Install Sika materials in accordance with current installation instructions.
- Unsatisfactory conditions shall be reported to the General Contractor and corrected before the application of Sika products.

# Senershield-R/-RS/-VB

## TYPICAL PENETRATION THROUGH WALL CONSTRUCTION (WITH MAXFLASH OR SEALANT)



- Senershield-R/-RS/-VB with SikaWall Sheathing Fabric may be used as an alternate to provide an air/water-resistive barrier around penetrations, see detail AWRB-08.
- Provide backer rod and Sikaflex HY 150 sealant or equal between pipe and cladding (by others).

AWRB-09 2401

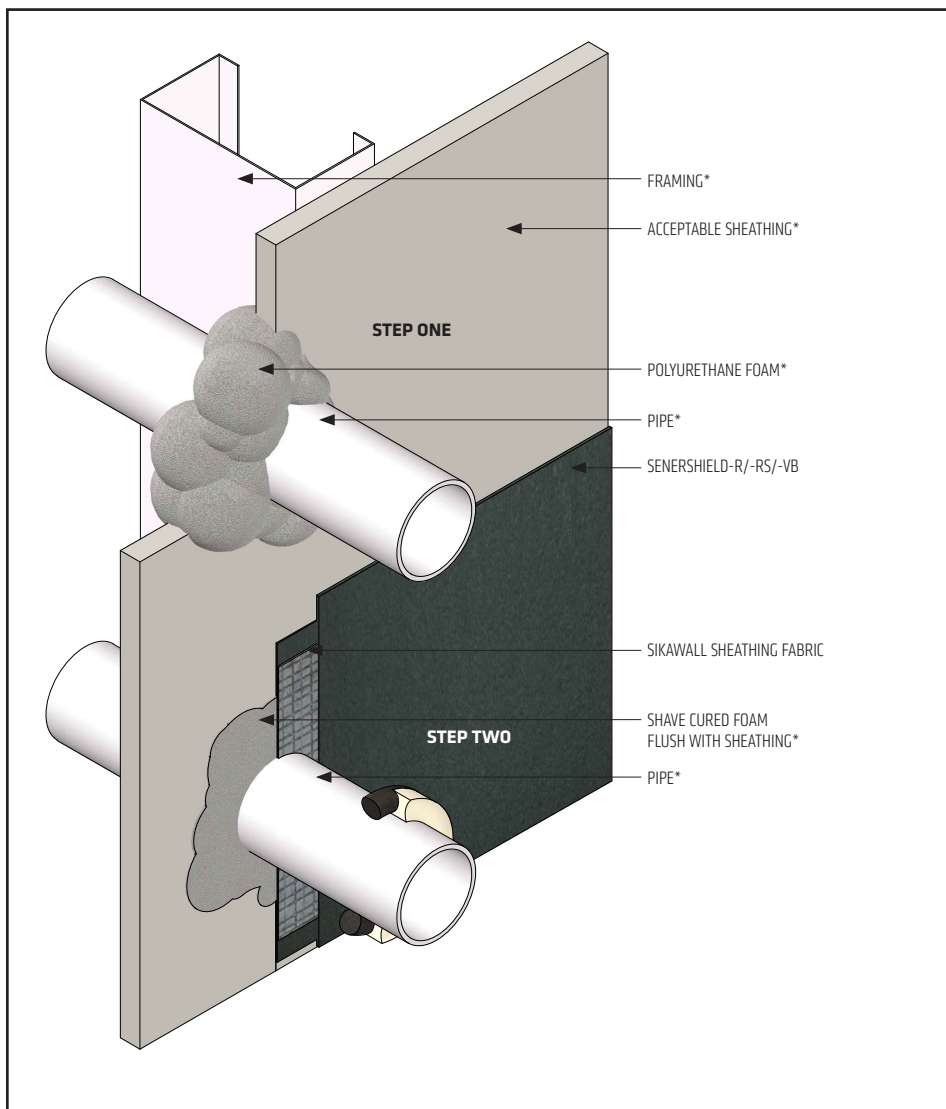
(\*NOTE: BY OTHERS)

The details within are latest recommendations and are represent in good faith by Sika Corporation US (hereinafter Sika). The details are subject to change without notice. Sika accepts no liability for the end use of the details. For conditions not shown, consult Sika for review of specific details.

- Install Sika materials in accordance with current installation instructions.
- Unsatisfactory conditions shall be reported to the General Contractor and corrected before the application of Sika products.

## Senershield-R/-RS/-VB

### TYPICAL PENETRATION THROUGH WALL CONSTRUCTION (ROUGH CUT)



AWRB-10 2401

(\*NOTE: BY OTHERS)

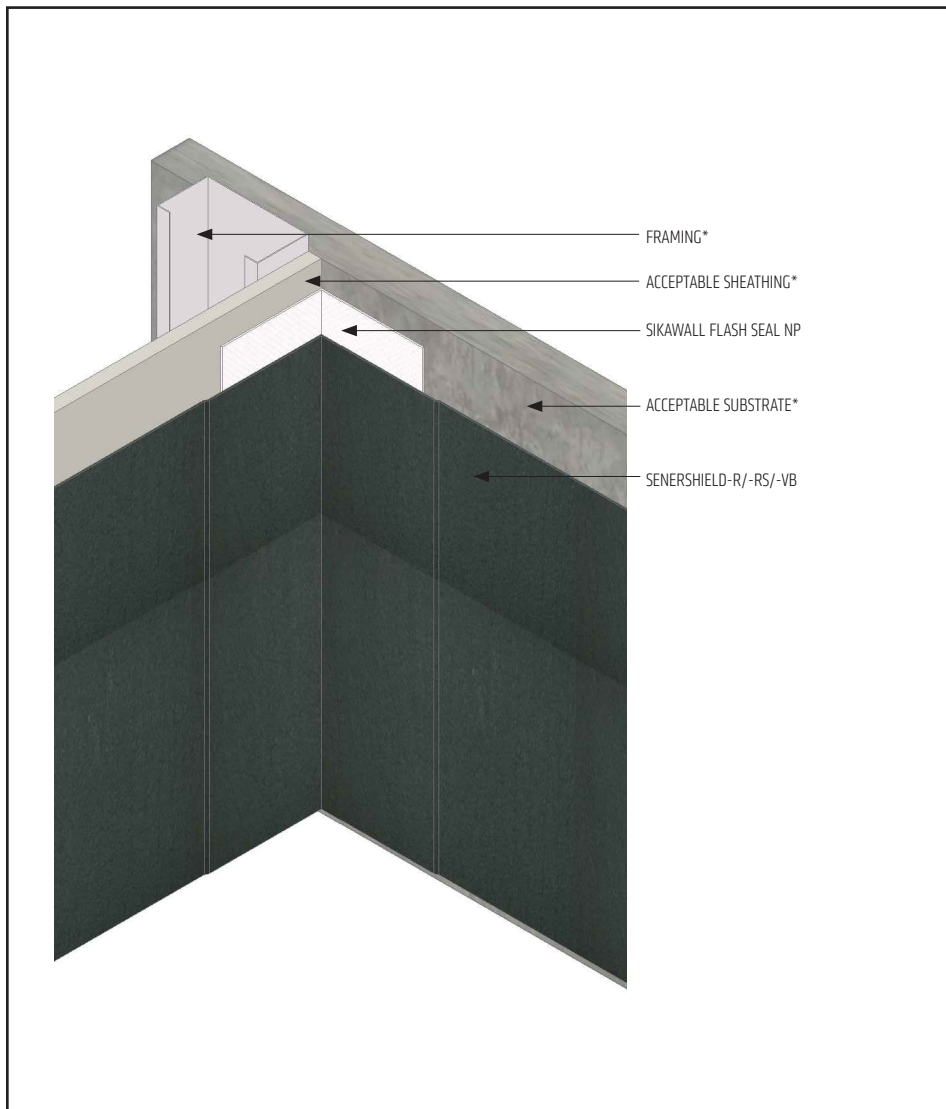
- Ensure spray foam is low expansion.
- Provide backer rod and Sikaflex HY 150 sealant or equal between pipe and cladding (by others).
- Embed SikaWall Sheathing Fabric in Senershield-R/-RS/-VB.
- Follow detail AWRB-08 for installation of SikaWall Sheathing Fabric and Senershield-R/-RS/-VB at penetration.

The details within are latest recommendations and are represent in good faith by Sika Corporation US (hereinafter Sika). The details are subject to change without notice. Sika accepts no liability for the end use of the details. For conditions not shown, consult Sika for review of specific details.

- Install Sika materials in accordance with current installation instructions.
- Unsatisfactory conditions shall be reported to the General Contractor and corrected before the application of Sika products.

## Senershield-R/-RS/-VB

### TYPICAL INSIDE CORNER CHANGE IN SUBSTRATE



- Fully coat SikaWall Flash Seal NP with Senershield-R/-RS/-VB.

AWRB-11

2401

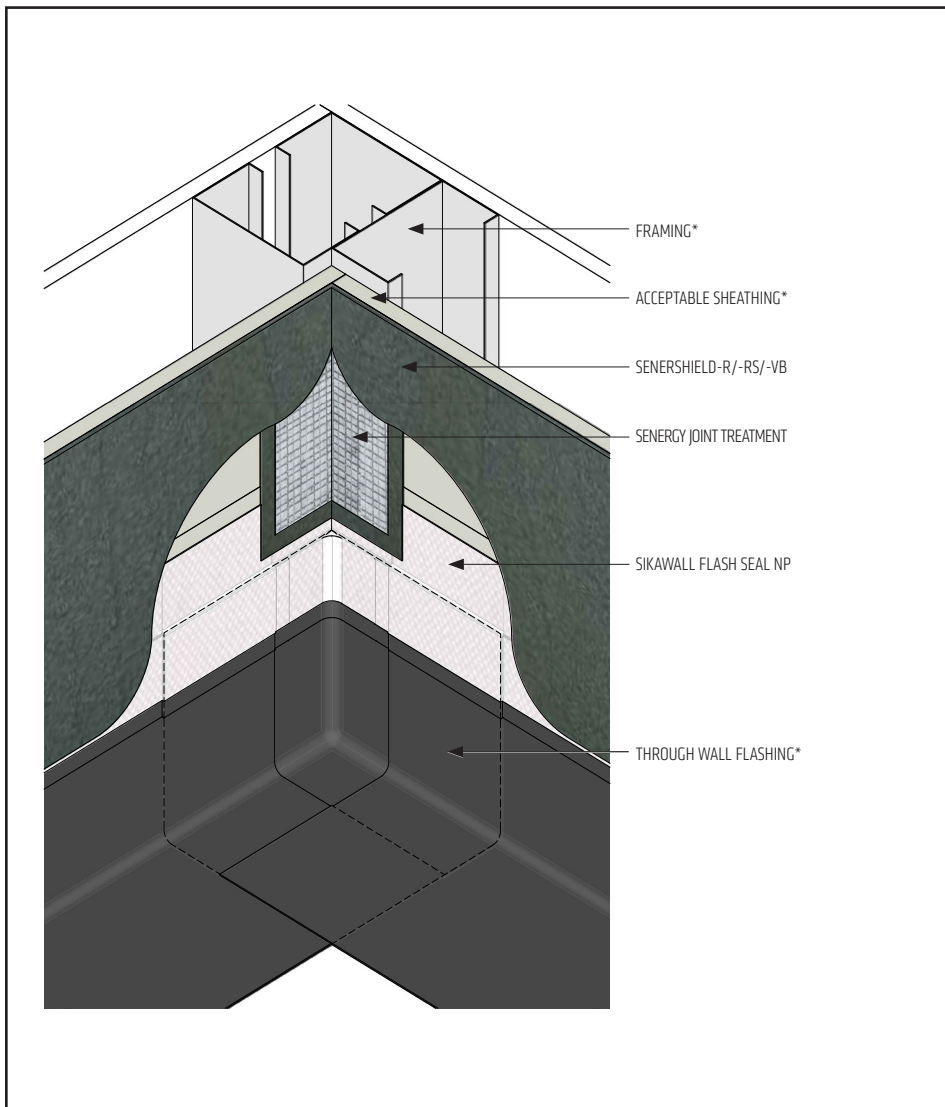
(\*NOTE: BY OTHERS)

The details within are latest recommendations and are represent in good faith by Sika Corporation US (hereinafter Sika). The details are subject to change without notice. Sika accepts no liability for the end use of the details. For conditions not shown, consult Sika for review of specific details.

- Install Sika materials in accordance with current installation instructions.
- Unsatisfactory conditions shall be reported to the General Contractor and corrected before the application of Sika products.

## Senershield-R/-RS/-VB

### TYPICAL INSIDE CORNER



- Center SikaWall Flash Seal NP so half of the width covers through wall flashing and half covers the substrate.
- A termination bar and Sikaflex HY 150 sealant can be used at through wall flashing instead of SikaWall Flash Seal NP (See detail AWRB-33).
- Lap Senergy joint treatment a minimum of 2" over SikaWall Flash Seal NP.
- If using a termination bar, Senergy joint treatment must be beneath through wall flashing membrane.
- Senergy Joint Treatment Options: SikaWall MaxFlash, SikaWall Sheathing Fabric embedded in Senershield-R/-RS-VB or SikaWall Flash Seal NP.

AWRB-12

2401

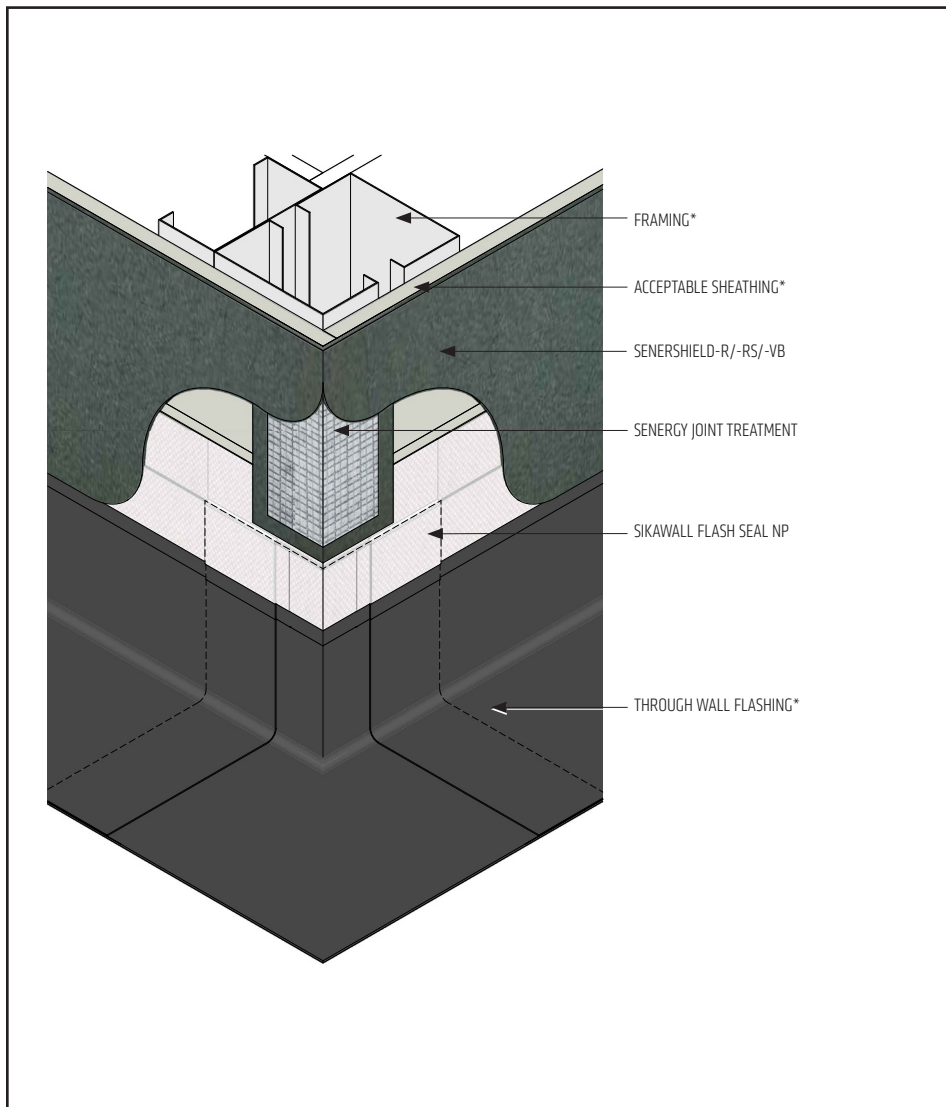
(\*NOTE: BY OTHERS)

The details within are latest recommendations and are represent in good faith by Sika Corporation US (hereinafter Sika). The details are subject to change without notice. Sika accepts no liability for the end use of the details. For conditions not shown, consult Sika for review of specific details.

- Install Sika materials in accordance with current installation instructions.
- Unsatisfactory conditions shall be reported to the General Contractor and corrected before the application of Sika products.

## Senershield-R/-RS/-VB

### TYPICAL OUTSIDE CORNER



- Center SikaWall Flash Seal NP so half of the width covers through wall flashing and half covers the sheathing.
- If using a termination bar, Senergy joint treatment must be beneath through wall flashing.
- Senergy Joint Treatment Options: SikaWall MaxFlash, SikaWall Sheathing Fabric embedded in Senershield-R/-RS/-VB or SikaWall Flash Seal NP.

AWRB-13

2401

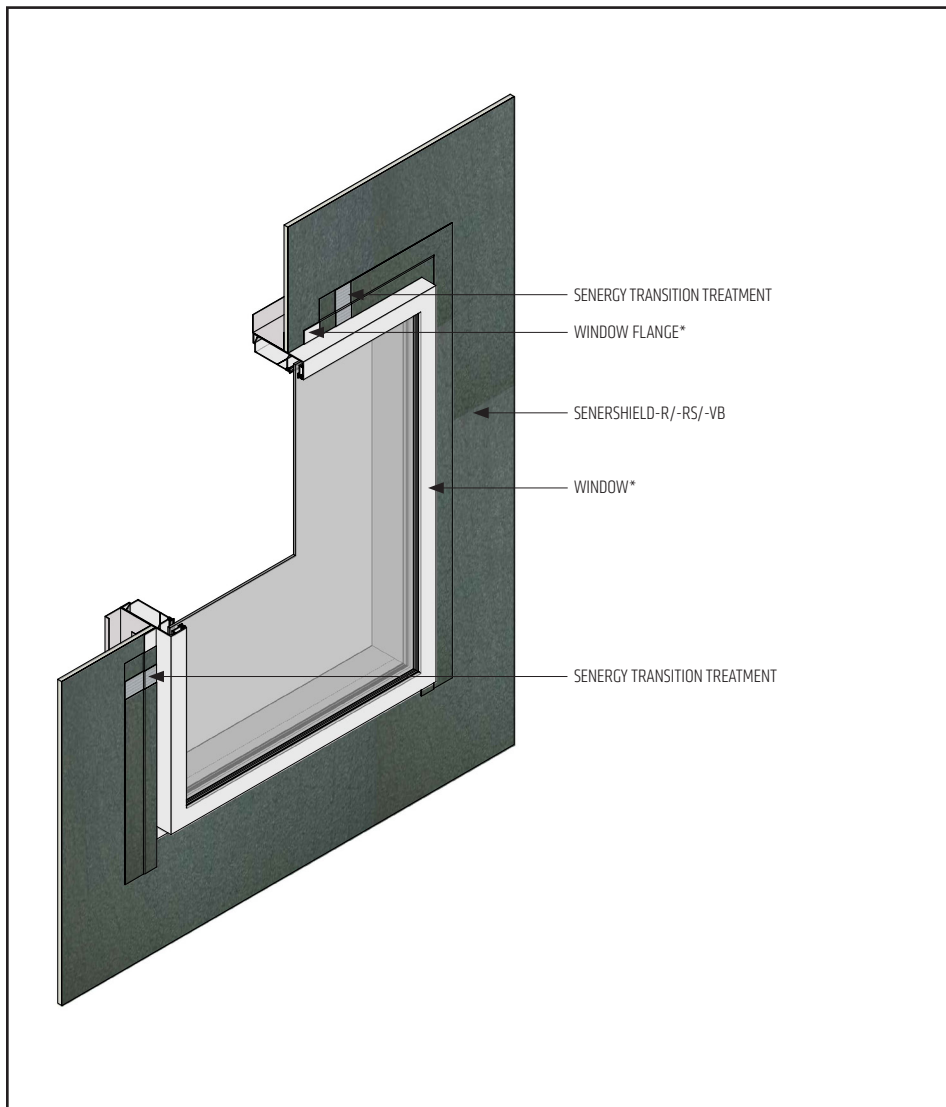
(\*NOTE: BY OTHERS)

The details within are latest recommendations and are represent in good faith by Sika Corporation US (hereinafter Sika). The details are subject to change without notice. Sika accepts no liability for the end use of the details. For conditions not shown, consult Sika for review of specific details.

- Install Sika materials in accordance with current installation instructions.
- Unsatisfactory conditions shall be reported to the General Contractor and corrected before the application of Sika products.

## Senershield-R/-RS/-VB

### TYPICAL WINDOW FLANGE TREATMENT



AWRB-14

2401

(\*NOTE: BY OTHERS)

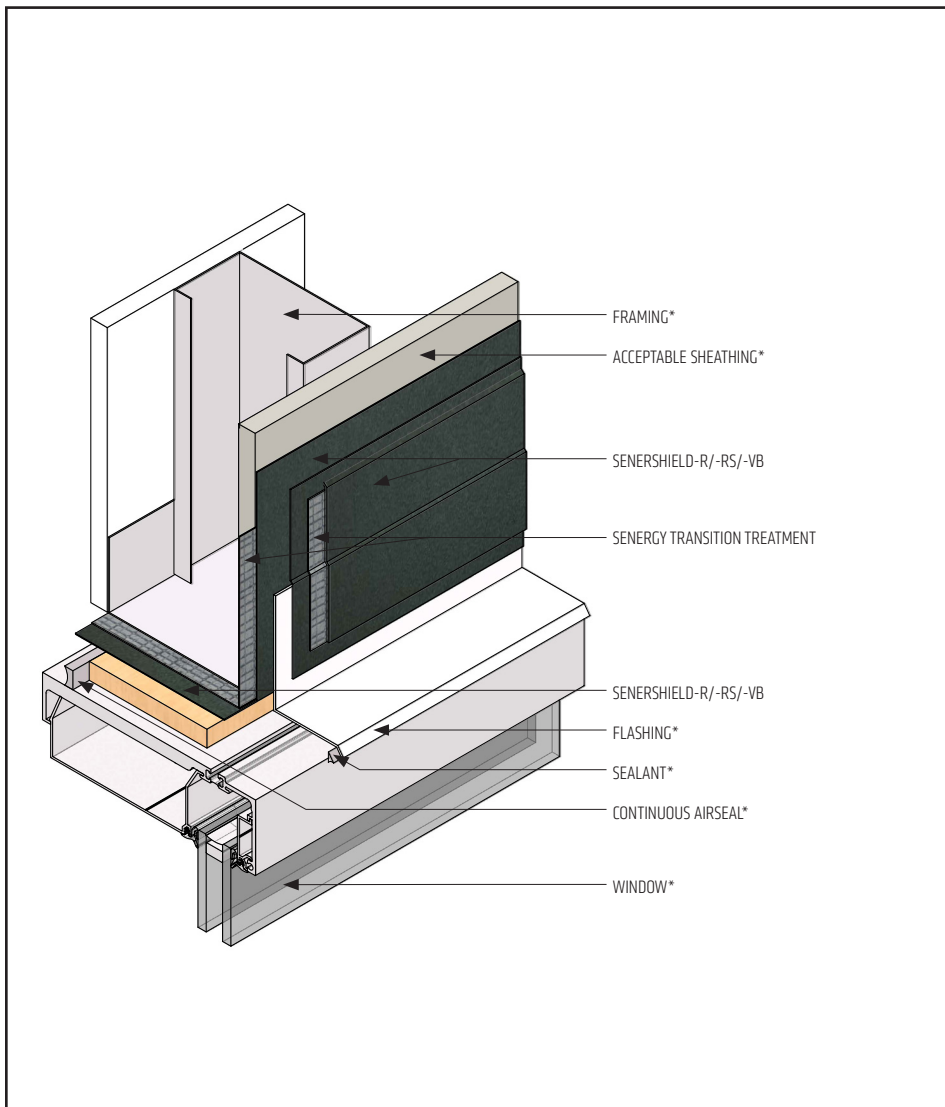
- Prior to window installation, ensure water-resistant barrier is properly applied into the rough openings in accordance with application guidelines and code requirements. See details AWRB 04-07.
- Do not block drainage at window sill.
- Air seal to window by others.
- Senergy Transition Treatment Options: SikaWall MaxFlash, SikaWall Sheathing Fabric embedded in Senershield-R/-RS/-VB or SikaWall Flash Seal NP.
- Consult window and sealant manufacturers to verify window installation, detailing and to ensure no water leakage into the wall assembly.

The details within are latest recommendations and are represent in good faith by Sika Corporation US (hereinafter Sika). The details are subject to change without notice. Sika accepts no liability for the end use of the details. For conditions not shown, consult Sika for review of specific details.

- Install Sika materials in accordance with current installation instructions.
- Unsatisfactory conditions shall be reported to the General Contractor and corrected before the application of Sika products.

## Senershield-R/-RS/-VB

### TYPICAL WINDOW HEAD



AWRB-15

2401

(\*NOTE: BY OTHERS)

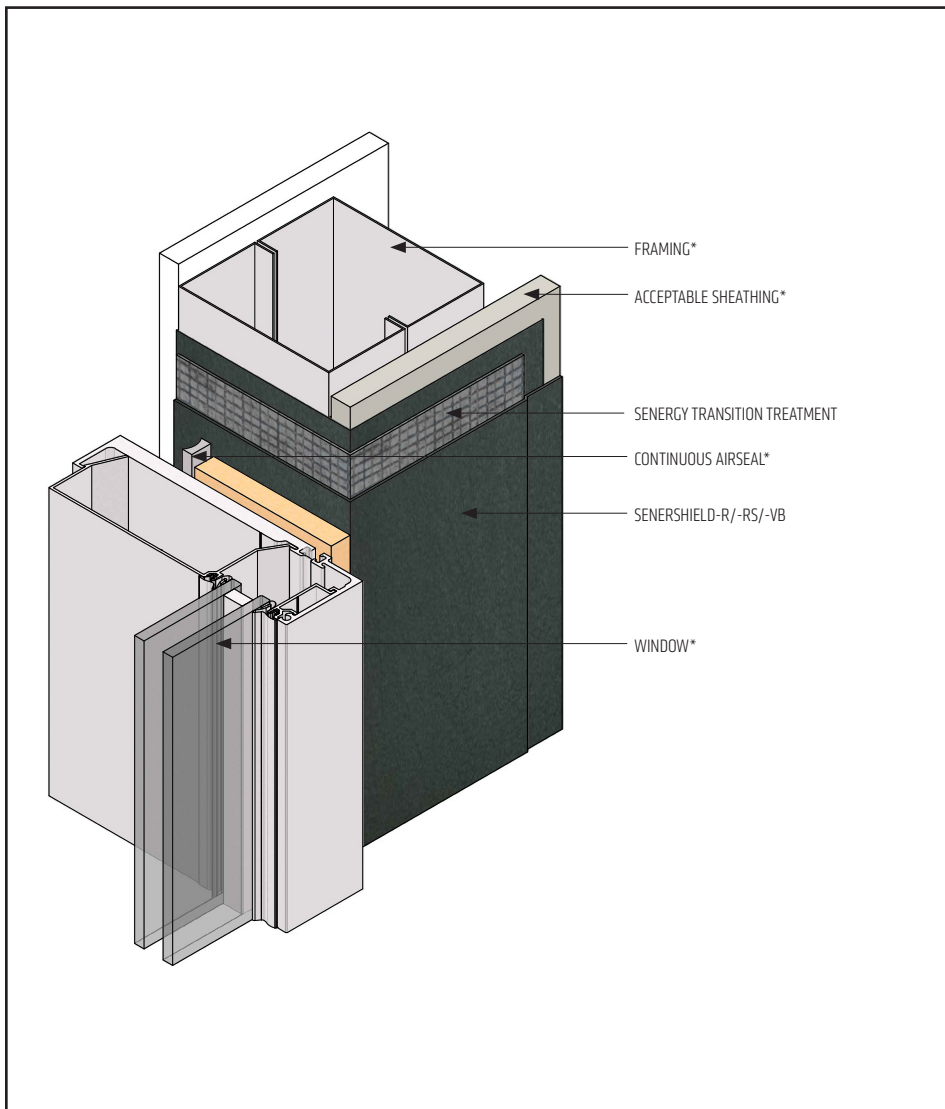
- Provide end dams at flashing terminations.
- If blocking is installed prior to Senershield-R/-RS/-VB application, it shall be treated as a rough opening; verify adhesion before proceeding.
- Senergy Transition Treatment Options: SikaWall MaxFlash, SikaWall Sheathing Fabric embedded in Senershield-R/-RS/-VB or SikaWall Flash Seal NP.
- Prior to window installation, ensure water-resistant barrier is properly applied into the rough openings in accordance with application guidelines and code requirements. See details AWRB 04-07.
- Consult window and sealant manufacturers to verify window installation, detailing and to ensure no water leakage into the wall assembly.

The details within are latest recommendations and are represent in good faith by Sika Corporation US (hereinafter Sika). The details are subject to change without notice. Sika accepts no liability for the end use of the details. For conditions not shown, consult Sika for review of specific details.

- Install Sika materials in accordance with current installation instructions.
- Unsatisfactory conditions shall be reported to the General Contractor and corrected before the application of Sika products.

## Senershield-R/-RS/-VB

### TYPICAL WINDOW JAMB



- Apply SikaWall Flash Seal NP over punched stud opening.
- If blocking is installed prior to Senershield-R/-RS/-VB application, it shall be treated as a rough opening; verify adhesion before proceeding.
- Senergy Transition Treatment Options: SikaWall MaxFlash, SikaWall Sheathing Fabric embedded in Senershield-R/-RS/-VB or SikaWall Flash Seal NP.
- Prior to window installation, ensure water-resistant barrier is properly applied into the rough openings in accordance with application guidelines and code requirements. See details AWRB 04-07.
- Consult window and sealant manufacturers to verify window installation, detailing and to ensure no water leakage into the wall assembly.

AWRB-16

2401

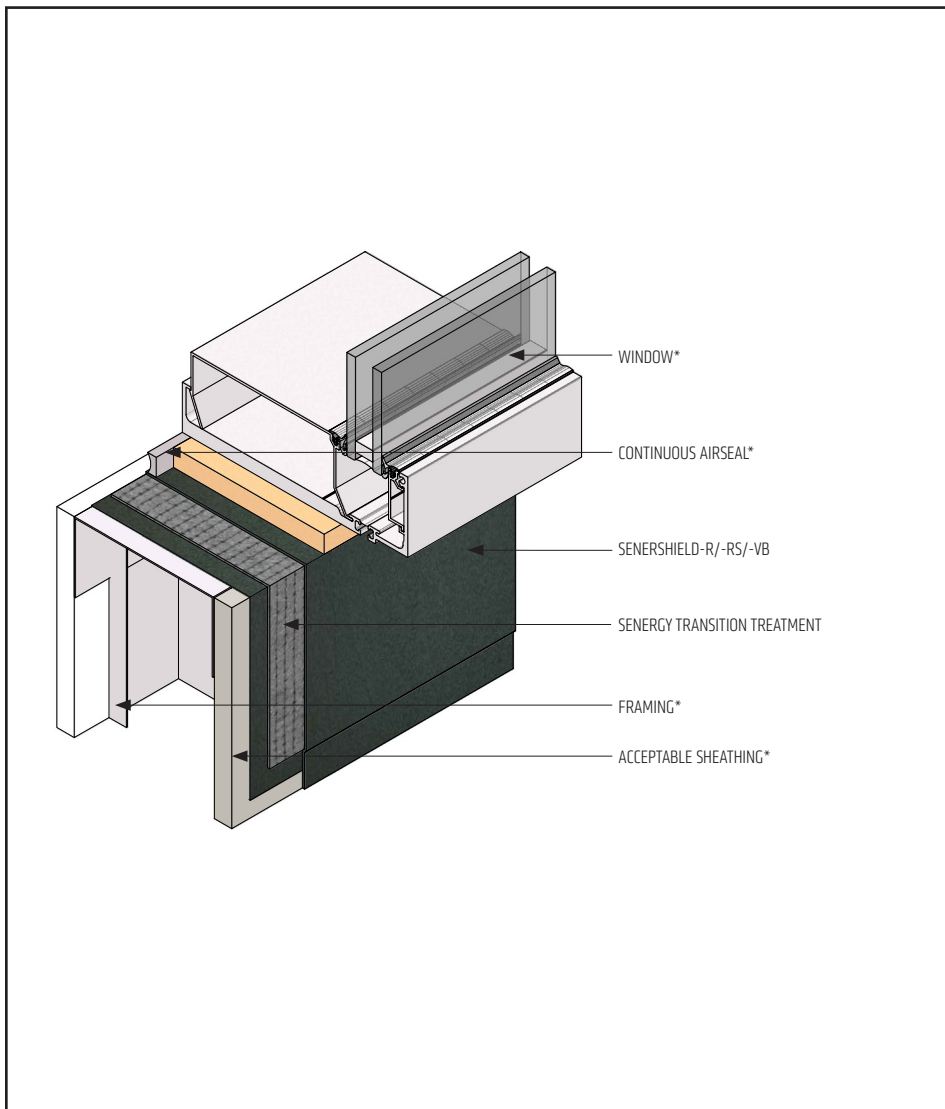
(\*NOTE: BY OTHERS)

The details within are latest recommendations and are represent in good faith by Sika Corporation US (hereinafter Sika). The details are subject to change without notice. Sika accepts no liability for the end use of the details. For conditions not shown, consult Sika for review of specific details.

- Install Sika materials in accordance with current installation instructions.
- Unsatisfactory conditions shall be reported to the General Contractor and corrected before the application of Sika products.

## Senershield-R/-RS/-VB

### TYPICAL WINDOW SILL



- Install end/back dams as required.
- If blocking is installed prior to Senershield-R/-RS/-VB application, it shall be treated as a rough opening; verify adhesion before proceeding.
- If pan flashing is required, see detail AWRB-18.
- Senergy Transition Treatment Options: SikaWall MaxFlash, SikaWall Sheathing Fabric embedded in Senershield-R/-RS/-VB or SikaWall Flash Seal NP.
- Prior to window installation, ensure water-resistant barrier is properly applied into the rough openings in accordance with application guidelines and code requirements. See details AWRB 04-07.
- Consult window and sealant manufacturers to verify window installation, detailing and to ensure no water leakage into the wall assembly.

AWRB-17

2401

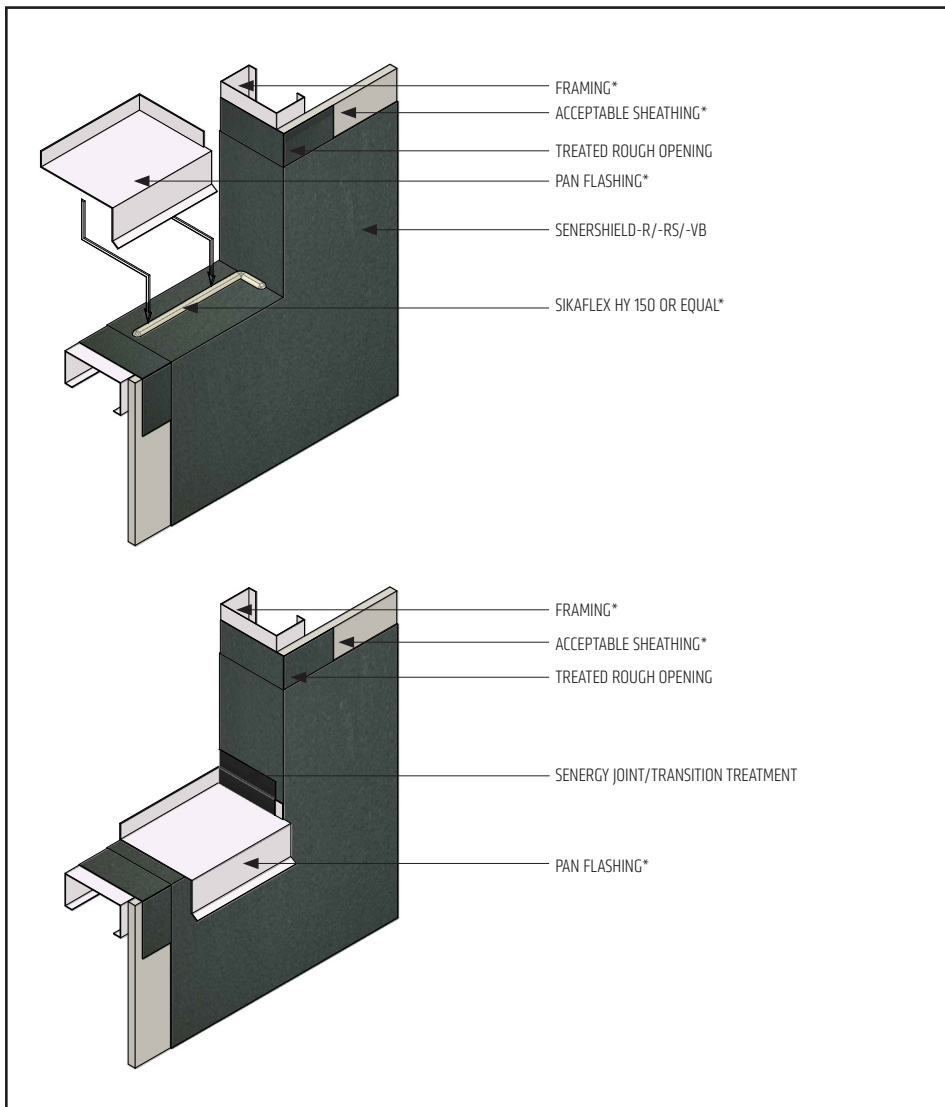
(\*NOTE: BY OTHERS)

The details within are latest recommendations and are represent in good faith by Sika Corporation US (hereinafter Sika). The details are subject to change without notice. Sika accepts no liability for the end use of the details. For conditions not shown, consult Sika for review of specific details.

- Install Sika materials in accordance with current installation instructions.
- Unsatisfactory conditions shall be reported to the General Contractor and corrected before the application of Sika products.

## Senershield-R/-RS/-VB

### TYPICAL PAN FLASHING



AWRB-18

2401

(\*NOTE: BY OTHERS)

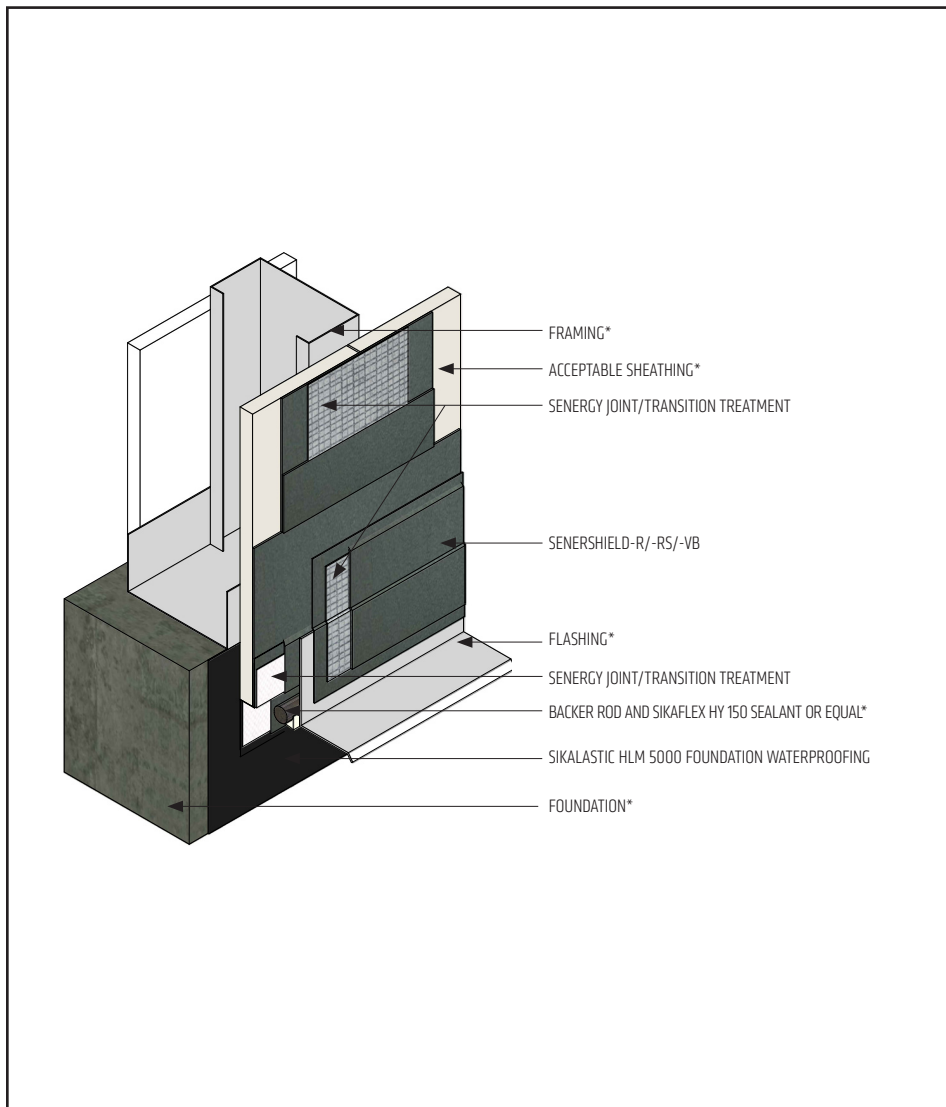
- Install Sikaflex HY 150 sealant or equal as depicted onto the sill and jamb to maintain continuity of the air barrier.
- Install pan flashing into the wet sealant. Remove excess sealant as required.
- Install Senergy Joint Treatment at the jamb end dams.
- Senergy Joint/Transition Treatment Options: SikaWall MaxFlash, SikaWall Sheathing Fabric embedded in Senershield-R/-RS/-VB or SikaWall Flash Seal NP.
- Prior to pan flashing installation, ensure water-resistant barrier is properly applied into the rough opening in accordance with application guidelines and code requirements. See details AWRB 04-07.

The details within are latest recommendations and are represent in good faith by Sika Corporation US (hereinafter Sika). The details are subject to change without notice. Sika accepts no liability for the end use of the details. For conditions not shown, consult Sika for review of specific details.

- Install Sika materials in accordance with current installation instructions.
- Unsatisfactory conditions shall be reported to the General Contractor and corrected before the application of Sika products.

## Senershield-R/-RS/-VB

### TYPICAL TERMINATION AT GRADE – SHEATHING OVERLAPPING FOUNDATION



- Extend flashing over Senergy transition treatment on foundation.
- If SikaWall MaxFlash is used at foundation transition, apply at 20–30 mils.
- Senergy Joint/Transition Treatment Options: SikaWall MaxFlash, SikaWall Sheathing Fabric embedded in Senershield-R/-RS/-VB or SikaWall Flash Seal NP.
- If SikaWall Flash Seal NP is used, it must be fully coated with Senershield-R/-RS/-VB.

AWRB-19

2401

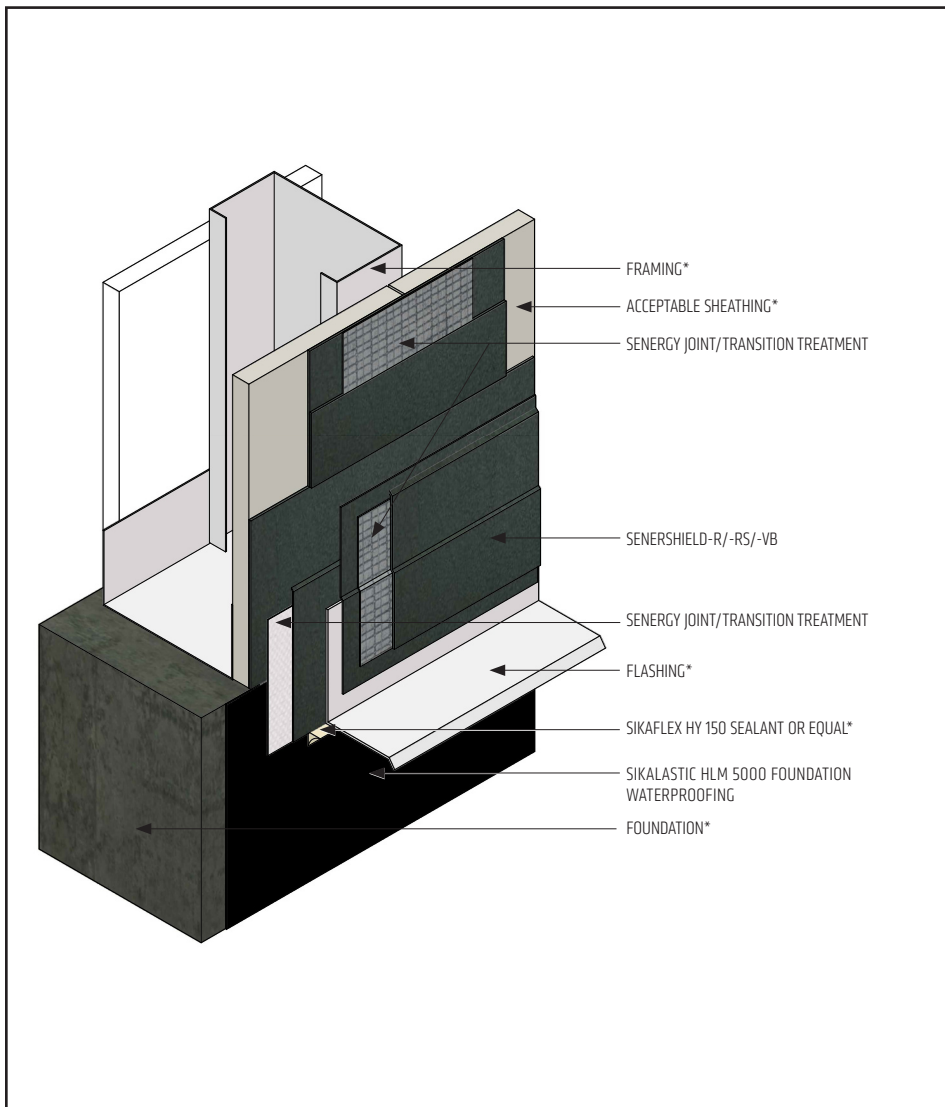
(\*NOTE: BY OTHERS)

The details within are latest recommendations and are represent in good faith by Sika Corporation US (hereinafter Sika). The details are subject to change without notice. Sika accepts no liability for the end use of the details. For conditions not shown, consult Sika for review of specific details.

- Install Sika materials in accordance with current installation instructions.
- Unsatisfactory conditions shall be reported to the General Contractor and corrected before the application of Sika products.

## Senershield-R/-RS/-VB

### TYPICAL TERMINATION AT GRADE – SHEATHING FLUSH WITH FOUNDATION



- Extend flashing over Senergy transition treatment on foundation.
- Senergy Joint/Transition Treatment Options: SikaWall MaxFlash, SikaWall Sheathing Fabric embedded in Senershield-R/-RS/-VB or SikaWall Flash Seal NP.
- If SikaWall Flash Seal NP is used, it must be fully coated with Senershield-R/-RS/-VB.

AWRB-20

2401

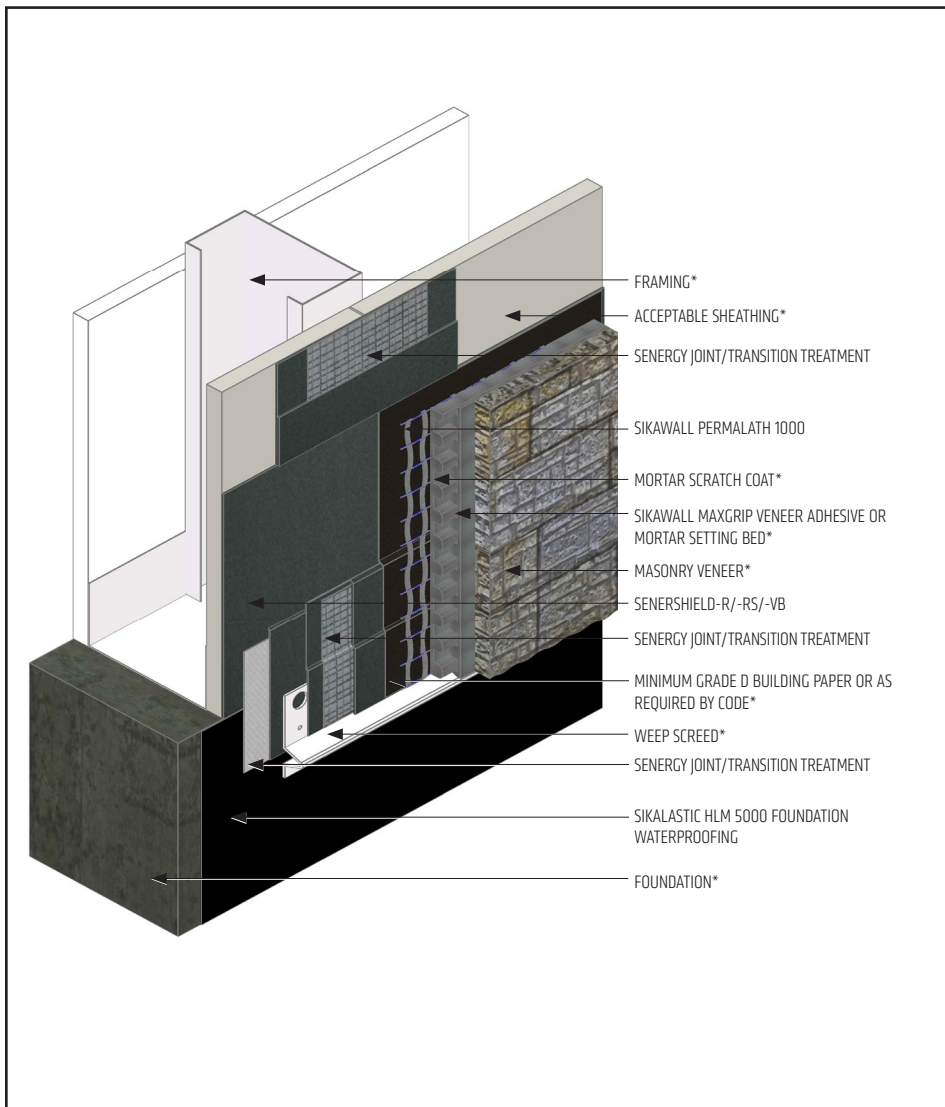
(\*NOTE: BY OTHERS)

The details within are latest recommendations and are represent in good faith by Sika Corporation US (hereinafter Sika). The details are subject to change without notice. Sika accepts no liability for the end use of the details. For conditions not shown, consult Sika for review of specific details.

- Install Sika materials in accordance with current installation instructions.
- Unsatisfactory conditions shall be reported to the General Contractor and corrected before the application of Sika products.

## Senershield-R/-RS/-VB

### TYPICAL TERMINATION AT GRADE – MASONRY VENEER



- Ensure Senershield-R/-RS/-VB fully covers Senergy joint/transition treatment at overlap.
- If SikaWall Flash Seal NP is used, it must be fully coated with Senershield-R/-RS/-VB.
- Senergy Joint/Transition Treatment Options: SikaWall MaxFlash, SikaWall Sheathing Fabric embedded in Senershield-R/-RS/-VB or SikaWall Flash Seal NP.

AWRB-21

2401

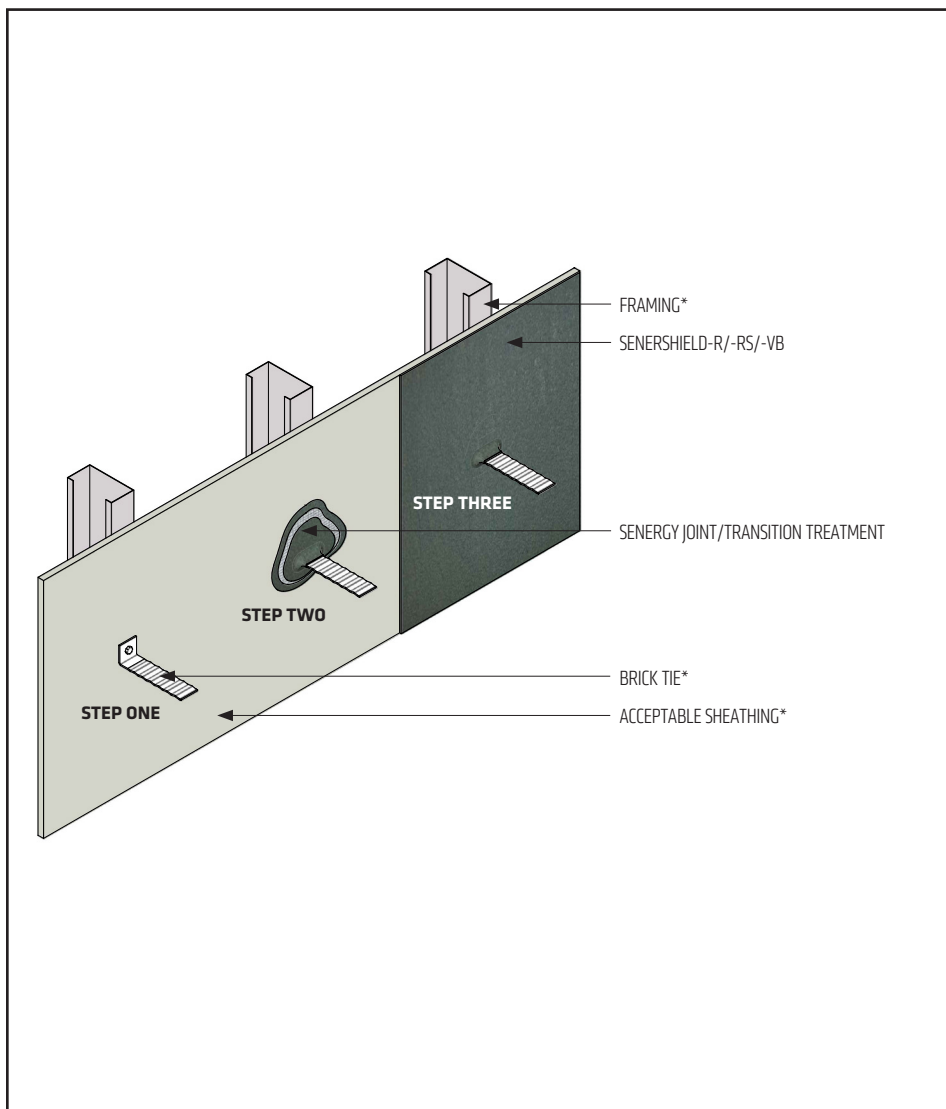
(\*NOTE: BY OTHERS)

The details within are latest recommendations and are represent in good faith by Sika Corporation US (hereinafter Sika). The details are subject to change without notice. Sika accepts no liability for the end use of the details. For conditions not shown, consult Sika for review of specific details.

- Install Sika materials in accordance with current installation instructions.
- Unsatisfactory conditions shall be reported to the General Contractor and corrected before the application of Sika products.

## Senershield-R/-RS/-VB

### TYPICAL BRICK ANCHOR (INSTALLED PRIOR TO AWRB APPLICATION)



- Senergy Joint/Transition Treatment Options: SikaWall MaxFlash, SikaWall Sheathing Fabric embedded in Senershield-R/-RS/-VB or SikaWall Flash Seal NP.
- Consult the brick tie manufacturer for proper attachment.

AWRB-22

2401

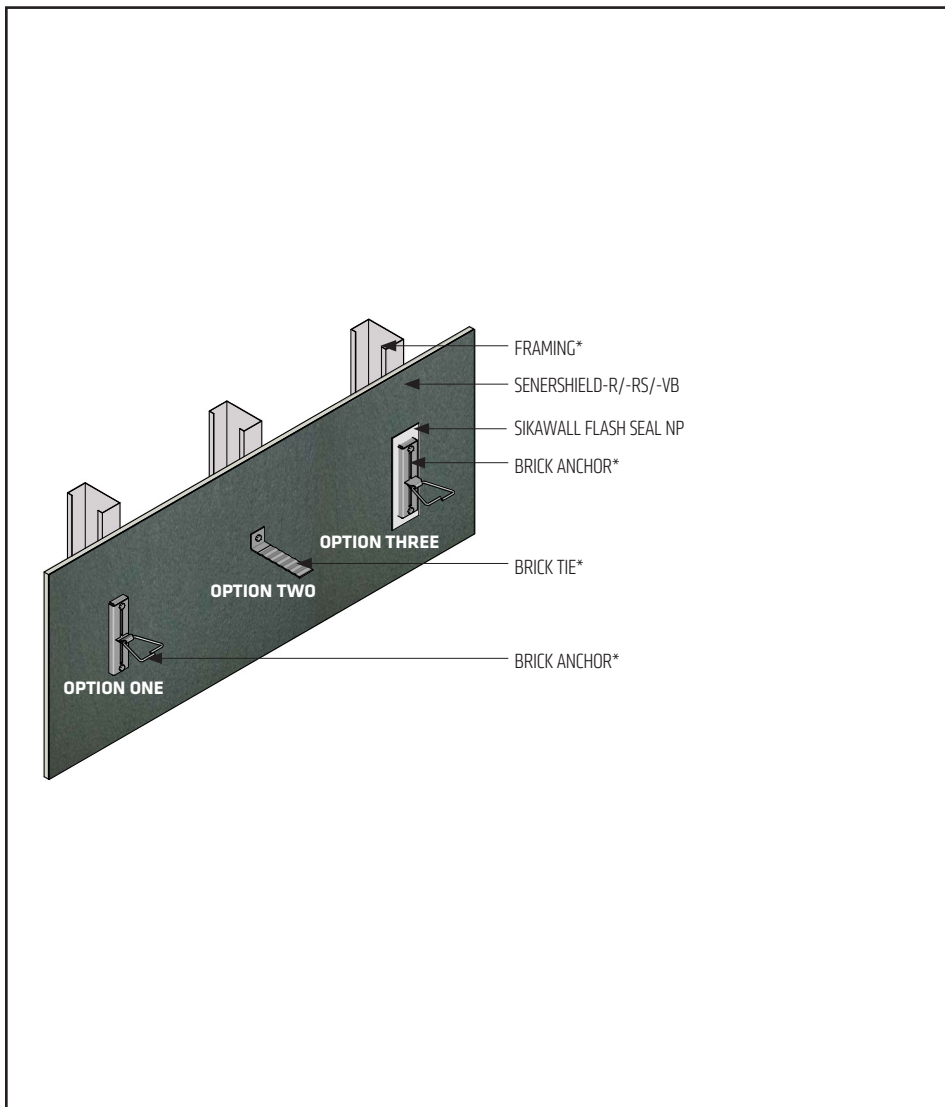
(\*NOTE: BY OTHERS)

The details within are latest recommendations and are represent in good faith by Sika Corporation US (hereinafter Sika). The details are subject to change without notice. Sika accepts no liability for the end use of the details. For conditions not shown, consult Sika for review of specific details.

- Install Sika materials in accordance with current installation instructions.
- Unsatisfactory conditions shall be reported to the General Contractor and corrected before the application of Sika products.

## Senershield-R/-RS/-VB

### TYPICAL BRICK ANCHOR (INSTALLED AFTER AWRB APPLICATION)



- For additional information, see Senershield Fastener Self-Sealing technical bulletin.
- Consult the brick anchor manufacturer for proper attachment.
- Additional Senershield-R/-RS/-VB, SikaWall MaxFlash or sealant may be post applied at anchor points.
- Option 3: Apply SikaWall Flash Seal NP to Senershield-R/-RS/-VB prior to application of brick anchor.

AWRB-23

2401

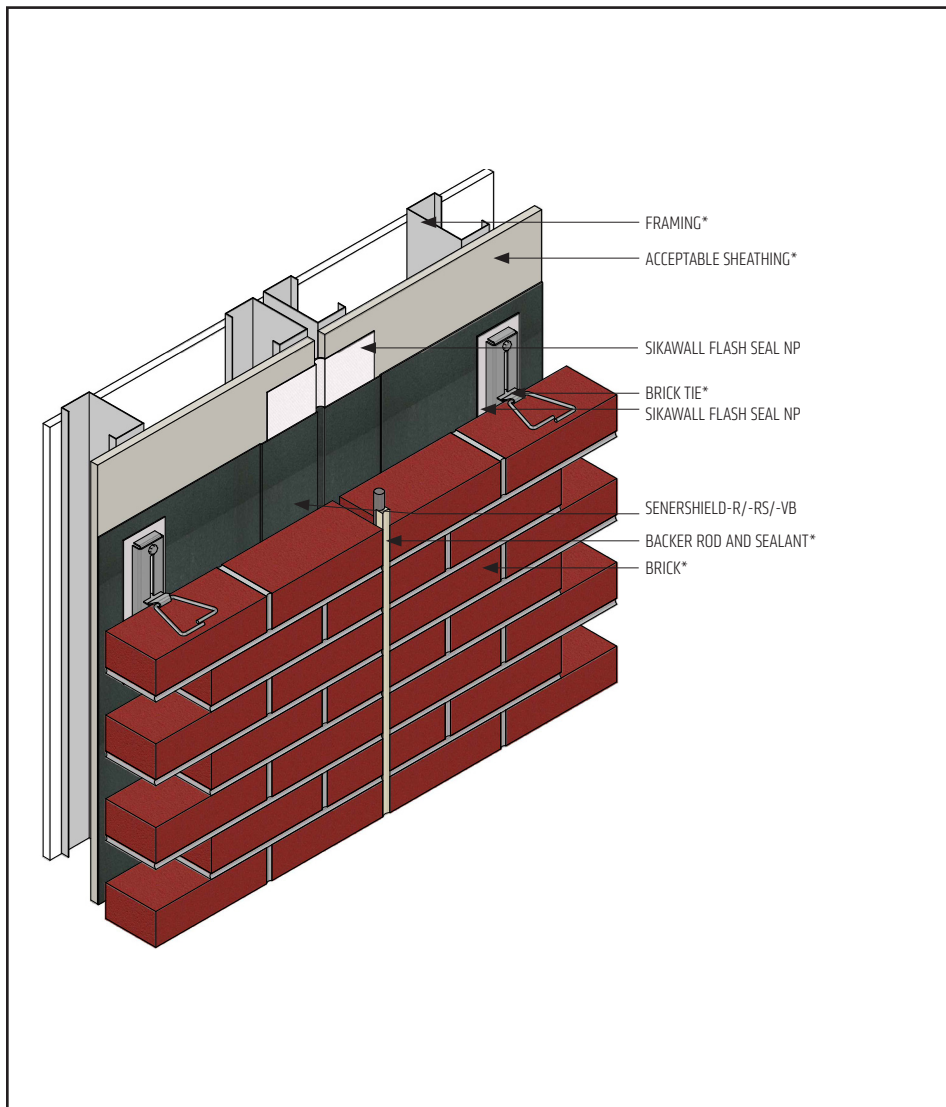
(\*NOTE: BY OTHERS)

The details within are latest recommendations and are represent in good faith by Sika Corporation US (hereinafter Sika). The details are subject to change without notice. Sika accepts no liability for the end use of the details. For conditions not shown, consult Sika for review of specific details.

- Install Sika materials in accordance with current installation instructions.
- Unsatisfactory conditions shall be reported to the General Contractor and corrected before the application of Sika products.

## Senershield-R/-RS/-VB

### TYPICAL BRICK EXPANSION JOINT



- See detail AWRB-22 & 23 for typical brick anchor treatment.
- Fully coat SikaWall Flash Seal NP with Senershield-R/-RS/-VB.

AWRB-24

2401

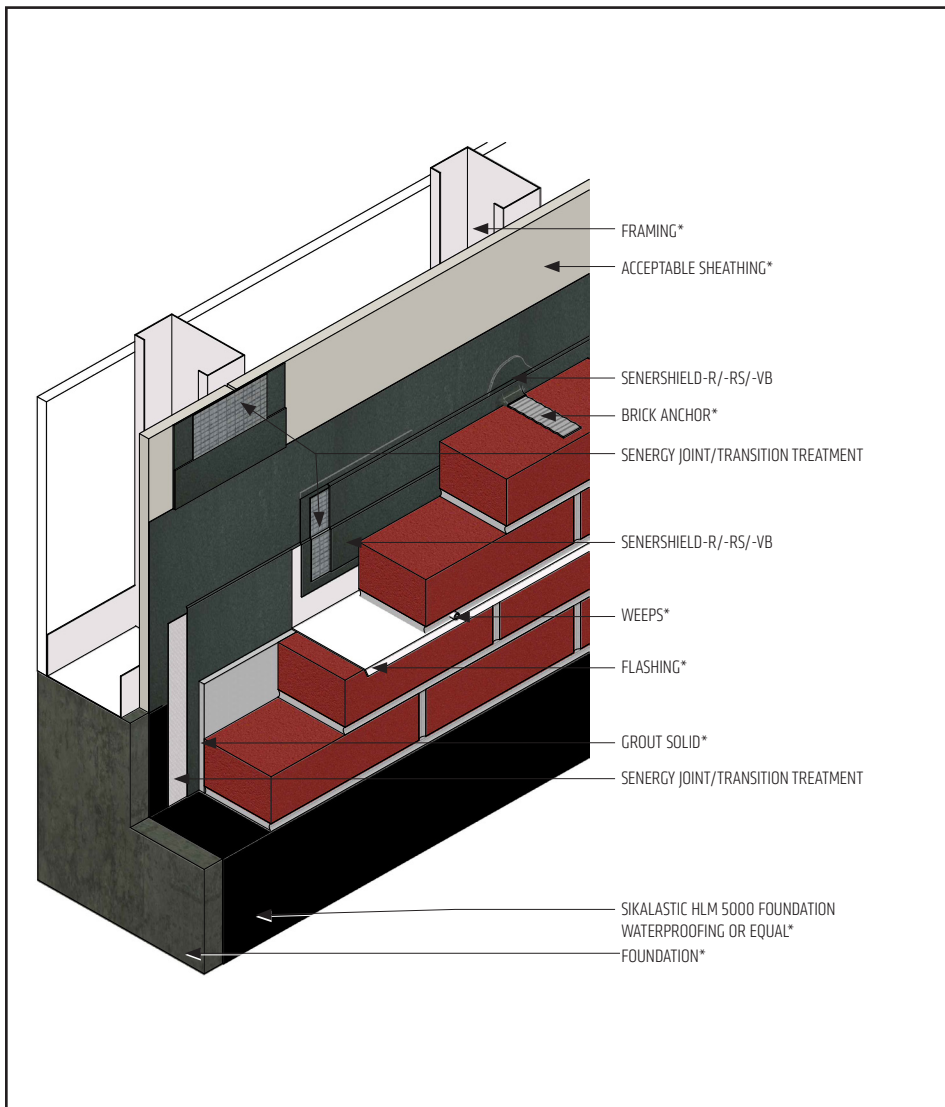
(\*NOTE: BY OTHERS)

The details within are latest recommendations and are represent in good faith by Sika Corporation US (hereinafter Sika). The details are subject to change without notice. Sika accepts no liability for the end use of the details. For conditions not shown, consult Sika for review of specific details.

- Install Sika materials in accordance with current installation instructions.
- Unsatisfactory conditions shall be reported to the General Contractor and corrected before the application of Sika products.

## Senershield-R/-RS/-VB

### TYPICAL TERMINATION AT GRADE - BRICK



- Ensure Senershield-R/-RS/-VB fully covers Senergy joint treatment at flashing overlap.
- Senergy Joint/Transition Treatment Options: SikaWall MaxFlash, SikaWall Sheathing Fabric embedded in Senershield-R/-RS/-VB or SikaWall Flash Seal NP.
- If SikaWall Flash Seal NP is used, it must be fully coated with Senershield-R/-RS/-VB.

AWRB-25

2401

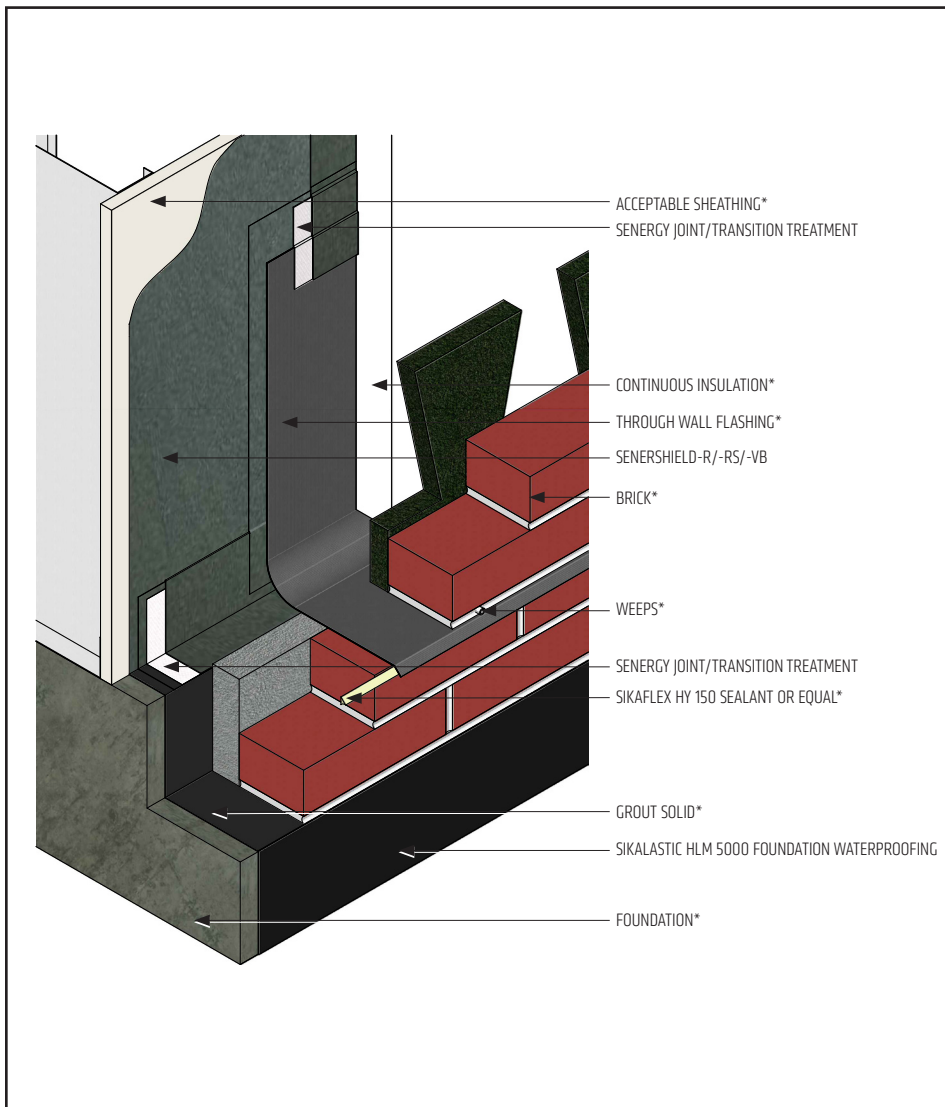
(\*NOTE: BY OTHERS)

The details within are latest recommendations and are represent in good faith by Sika Corporation US (hereinafter Sika). The details are subject to change without notice. Sika accepts no liability for the end use of the details. For conditions not shown, consult Sika for review of specific details.

- Install Sika materials in accordance with current installation instructions.
- Unsatisfactory conditions shall be reported to the General Contractor and corrected before the application of Sika products.

## Senershield-R/-RS/-VB

### TYPICAL TERMINATION AT FOUNDATION WITH THROUGH WALL FLASHING – BRICK



- Air space between sheathing and brick per design (not shown).
- Senergy Joint/Transition Treatment Options: SikaWall MaxFlash, SikaWall Sheathing Fabric embedded in Senershield-R/-RS/-VB or SikaWall Flash Seal NP.
- If SikaWall Flash Seal NP is used, it must be fully coated with Senershield-R/-RS/-VB.

AWRB-26

2401

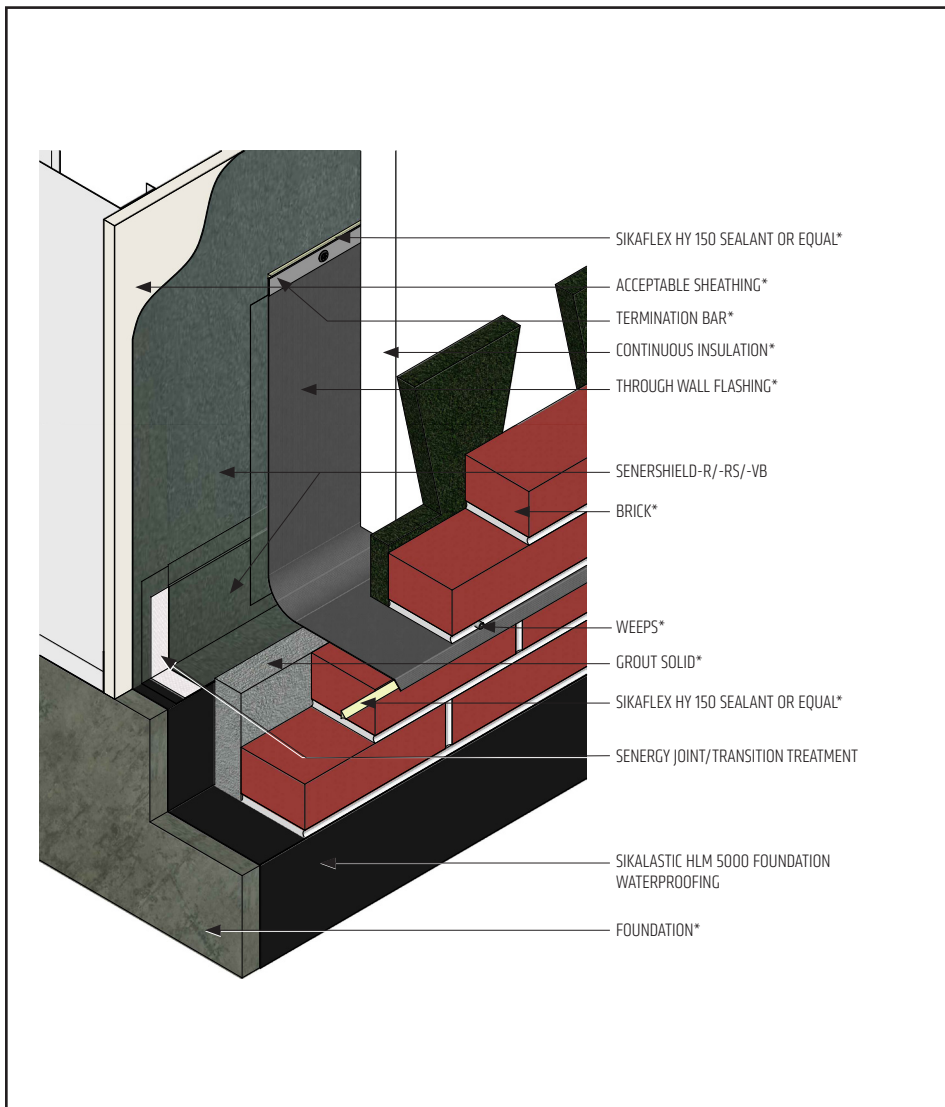
(\*NOTE: BY OTHERS)

The details within are latest recommendations and are represent in good faith by Sika Corporation US (hereinafter Sika). The details are subject to change without notice. Sika accepts no liability for the end use of the details. For conditions not shown, consult Sika for review of specific details.

- Install Sika materials in accordance with current installation instructions.
- Unsatisfactory conditions shall be reported to the General Contractor and corrected before the application of Sika products.

## Senershield-R/-RS/-VB

### TYPICAL TERMINATION AT FOUNDATION INCORPORATING TERMINATION BAR WITH THROUGH WALL FLASHING - BRICK



- Air space between sheathing and brick per design (not shown).
- Senergy Joint/Transition Treatment Options: SikaWall MaxFlash, SikaWall Sheathing Fabric embedded in Senershield or SikaWall Flash Seal NP.
- If SikaWall Flash Seal NP is used, it must be fully coated with Senershield-R/-RS/-VB.

AWRB-27

2401

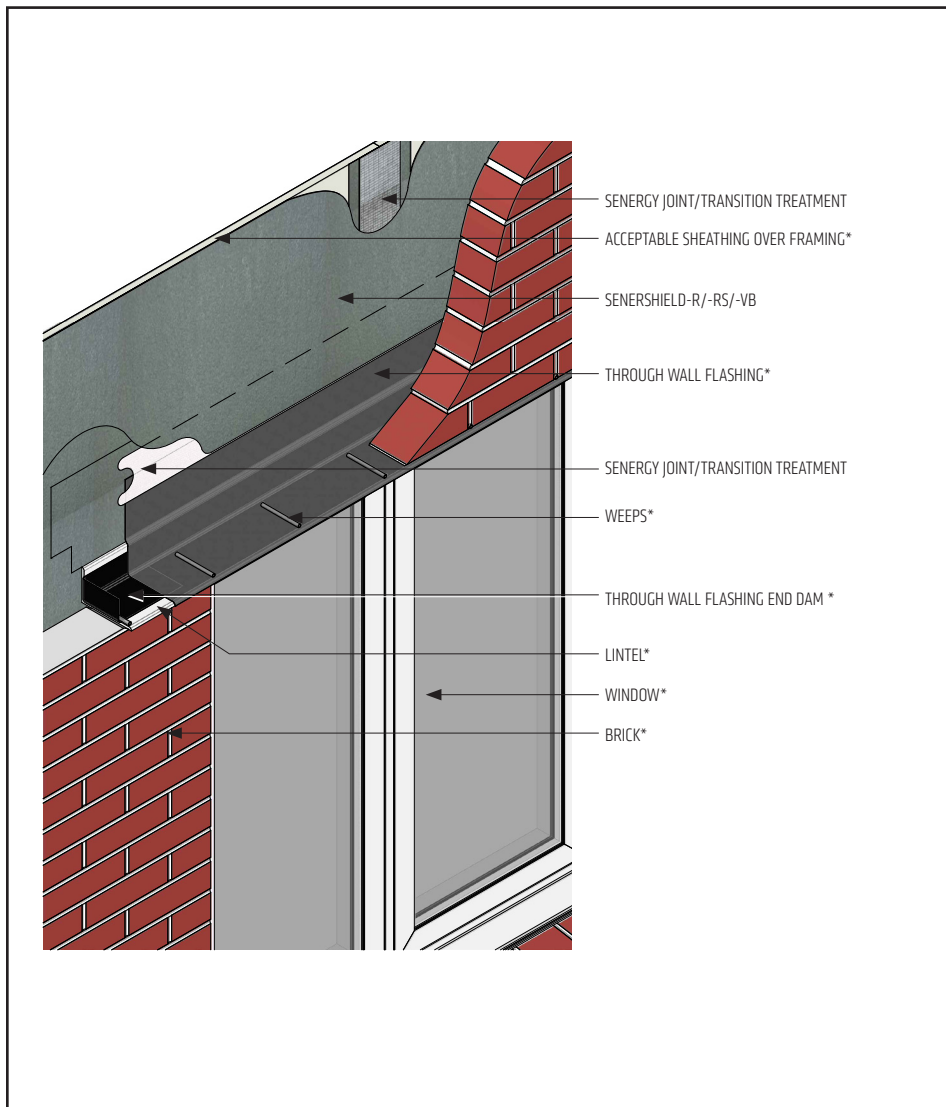
(\*NOTE: BY OTHERS)

The details within are latest recommendations and are represent in good faith by Sika Corporation US (hereinafter Sika). The details are subject to change without notice. Sika accepts no liability for the end use of the details. For conditions not shown, consult Sika for review of specific details.

- Install Sika materials in accordance with current installation instructions.
- Unsatisfactory conditions shall be reported to the General Contractor and corrected before the application of Sika products.

## Senershield-R/-RS/-VB

### TYPICAL THROUGH WALL FLASHING AT HEAD – BRICK



- Center Senergy transitional treatment so half of the width covers through wall flashing and half covers the substrate.
- Senergy Joint/Transition Treatment Options: SikaWall MaxFlash, SikaWall Sheathing Fabric embedded in Senershield or SikaWall Flash Seal NP.
- If SikaWall Flash Seal NP is used, it must be fully coated with Senershield-R/-RS/-VB.

AWRB-28

2401

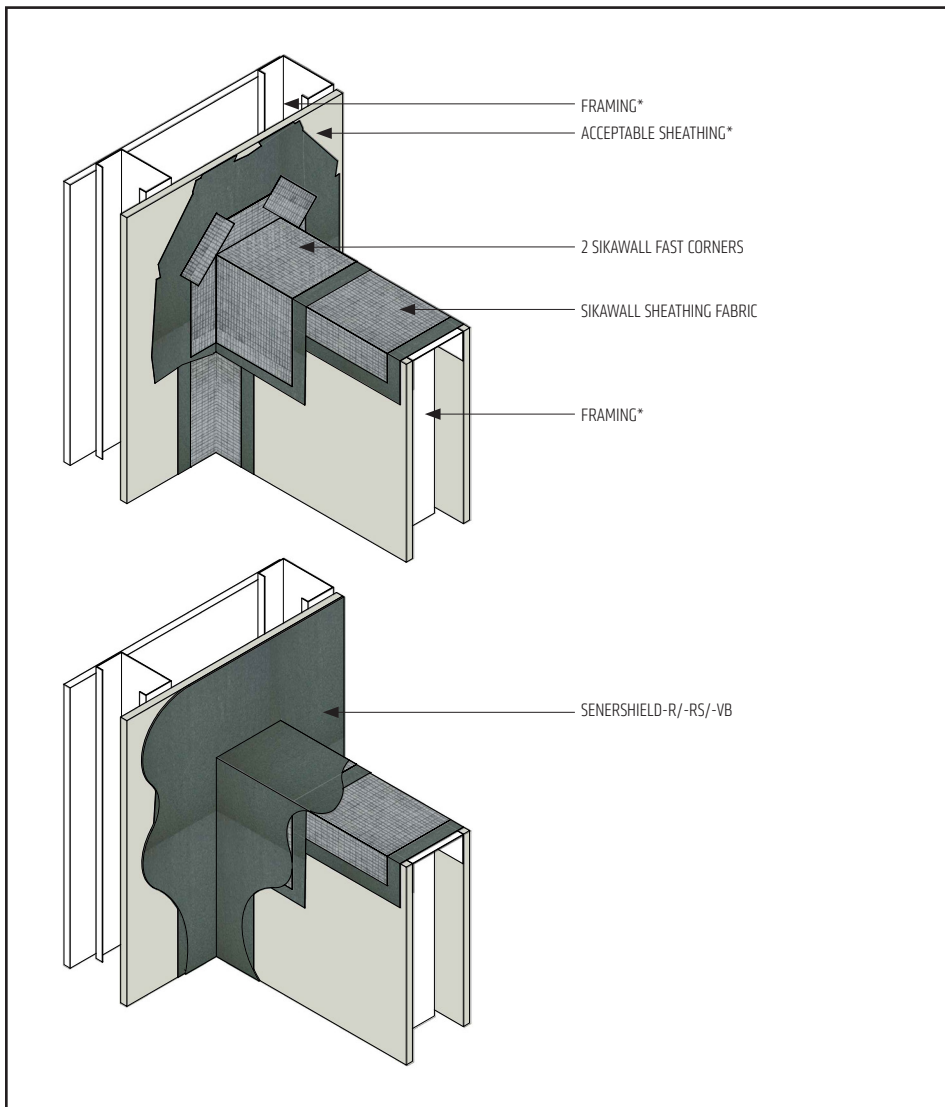
(\*NOTE: BY OTHERS)

The details within are latest recommendations and are represent in good faith by Sika Corporation US (hereinafter Sika). The details are subject to change without notice. Sika accepts no liability for the end use of the details. For conditions not shown, consult Sika for review of specific details.

- Install Sika materials in accordance with current installation instructions.
- Unsatisfactory conditions shall be reported to the General Contractor and corrected before the application of Sika products.

## Senershield-R/-RS/-VB

### TYPICAL SADDLE APPLICATION INCORPORATING SHEATHING FABRIC



- Embed SikaWall Fast Corner Fabric and SikaWall Sheathing Fabric in Senershield-R/-RS/-VB.
- Two SikaWall Fast Corners are used, one on each side of the saddle.

AWRB-29

2401

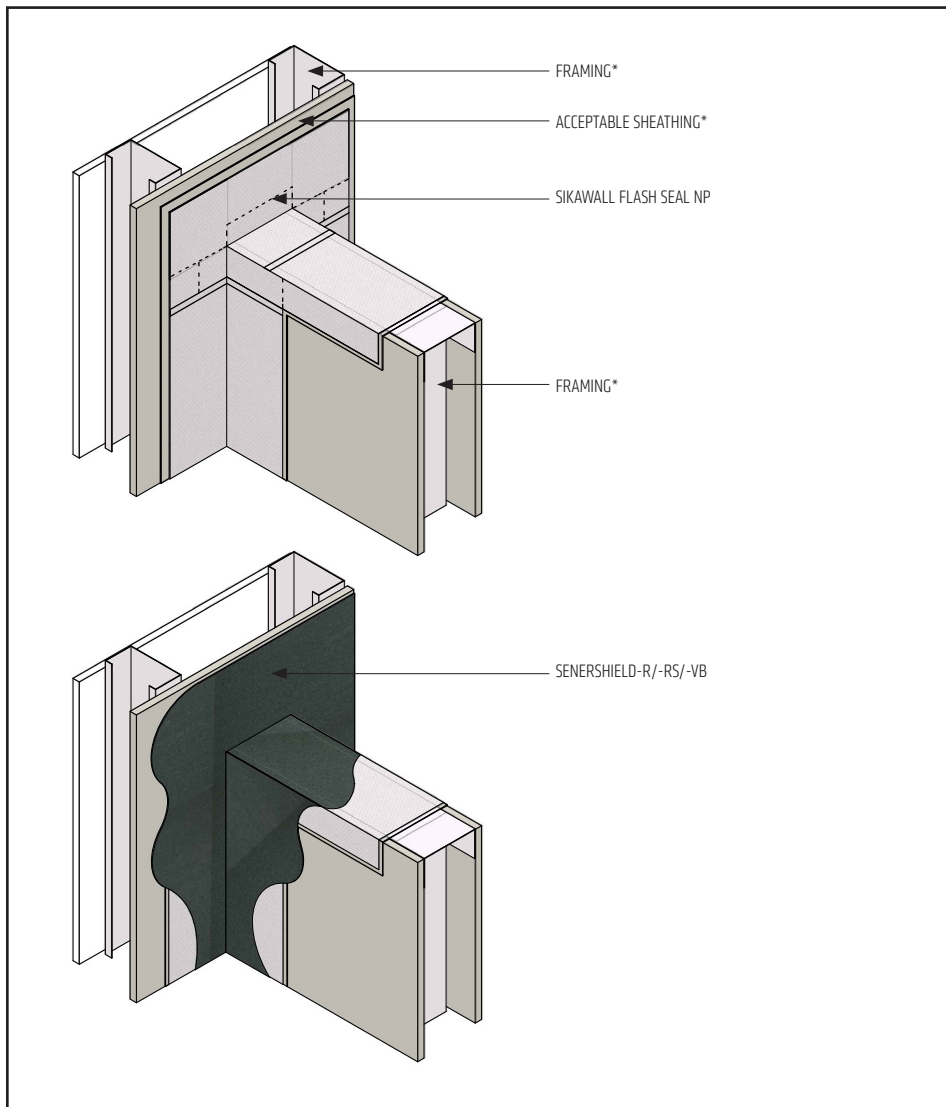
(\*NOTE: BY OTHERS)

The details within are latest recommendations and are represent in good faith by Sika Corporation US (hereinafter Sika). The details are subject to change without notice. Sika accepts no liability for the end use of the details. For conditions not shown, consult Sika for review of specific details.

- Install Sika materials in accordance with current installation instructions.
- Unsatisfactory conditions shall be reported to the General Contractor and corrected before the application of Sika products.

## Senershield-R/-RS/-VB

### TYPICAL SADDLE APPLICATION INCORPORATING SIKAWALL FLASH SEAL NP



- Fully coat SikaWall FlashSeal NP with Senershield-R/-RS/-VB.

AWRB-30

2401

(\*NOTE: BY OTHERS)

The details within are latest recommendations and are represent in good faith by Sika Corporation US (hereinafter Sika). The details are subject to change without notice. Sika accepts no liability for the end use of the details. For conditions not shown, consult Sika for review of specific details.

- Install Sika materials in accordance with current installation instructions.
- Unsatisfactory conditions shall be reported to the General Contractor and corrected before the application of Sika products.

## Senershield-R/-RS/-VB

### TYPICAL KICK-OUT FLASHING



- Where Senergy joint/transition treatment is installed over the flashing, ensure termination occurs a minimum of 2" above the roof.
- Senergy Joint/Transition Treatment Options: SikaWall MaxFlash, SikaWall Sheathing Fabric embedded in Senershield or SikaWall Flash Seal NP.
- If SikaWall Flash Seal is used, it must be fully coated with Senershield-R/-RS/-VB.

AWRB-31

2401

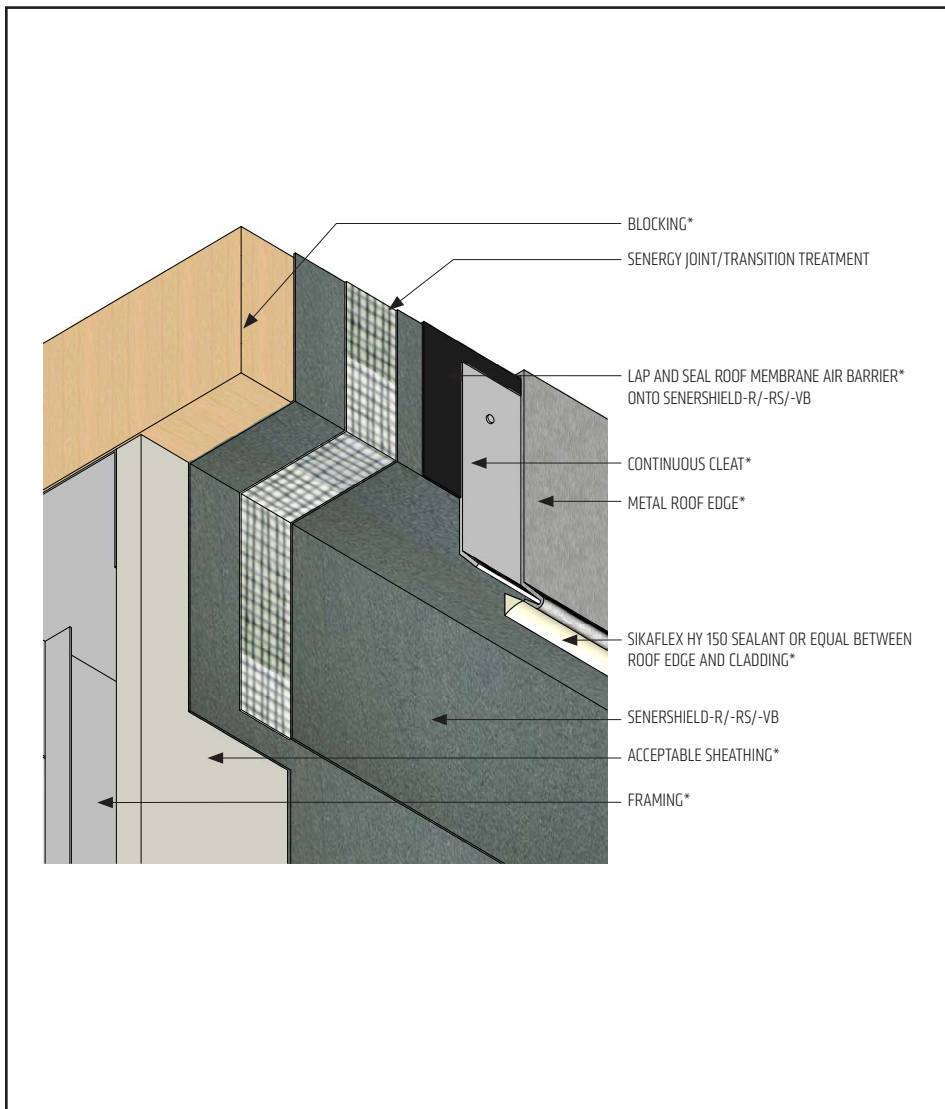
(\*NOTE: BY OTHERS)

The details within are latest recommendations and are represent in good faith by Sika Corporation US (hereinafter Sika). The details are subject to change without notice. Sika accepts no liability for the end use of the details. For conditions not shown, consult Sika for review of specific details.

- Install Sika materials in accordance with current installation instructions.
- Unsatisfactory conditions shall be reported to the General Contractor and corrected before the application of Sika products.

## Senershield-R/-RS/-VB

### TYPICAL ROOF EDGE FLASHING



- Ensure continuity of air barrier is maintained.
- Avoid solvent-based adhesives/primers where roofing laps Senershield-R/-RS/-VB.
- Senergy Joint/Transition Treatment Options: SikaWall MaxFlash, SikaWall Sheathing Fabric embedded in Senershield or SikaWall Flash Seal NP.
- If SikaWall Flash Seal NP is used, it must be fully coated with Senershield-R/-RS/-VB.

AWRB-32

2401

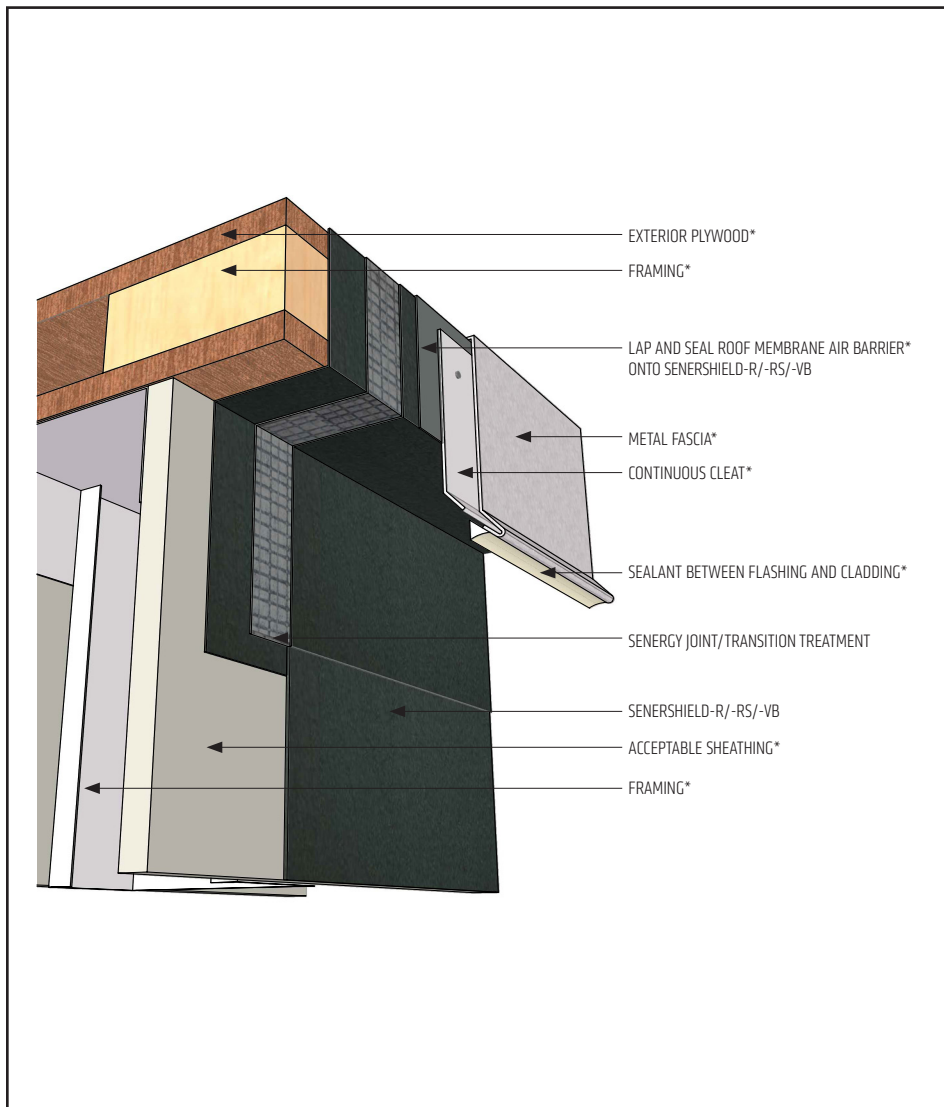
(\*NOTE: BY OTHERS)

The details within are latest recommendations and are represent in good faith by Sika Corporation US (hereinafter Sika). The details are subject to change without notice. Sika accepts no liability for the end use of the details. For conditions not shown, consult Sika for review of specific details.

- Install Sika materials in accordance with current installation instructions.
- Unsatisfactory conditions shall be reported to the General Contractor and corrected before the application of Sika products.

## Senershield-R/-RS/-VB

### TYPICAL ROOF EDGE FLASHING



- Senergy Joint/Transition Treatment Options: SikaWall MaxFlash, SikaWall Sheathing Fabric embedded in Senershield or SikaWall Flash Seal NP.
- If SikaWall Flash Seal NP is used, it must be fully coated with Senershield-R/-RS/-VB.
- Avoid solvent-based adhesives/primers where roofing laps Senershield-R/-RS/-VB.

AWRB-33

2401

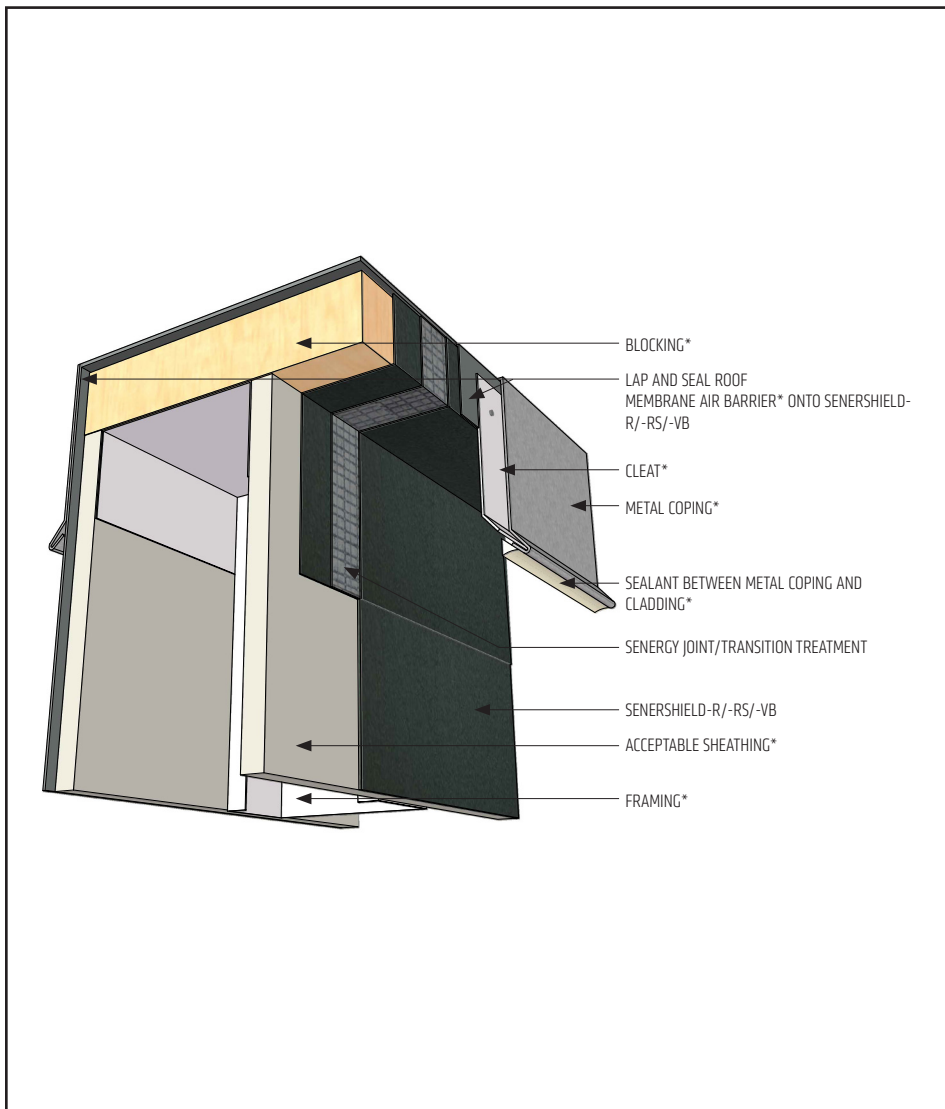
(\*NOTE: BY OTHERS)

The details within are latest recommendations and are represent in good faith by Sika Corporation US (hereinafter Sika). The details are subject to change without notice. Sika accepts no liability for the end use of the details. For conditions not shown, consult Sika for review of specific details.

- Install Sika materials in accordance with current installation instructions.
- Unsatisfactory conditions shall be reported to the General Contractor and corrected before the application of Sika products.

## Senershield-R/-RS/-VB

### TYPICAL PARAPET CAP FLASHING



- SikaWall Flash Seal NP may be used as an alternate to provide an air/water-resistive barrier at transition of SikaWall Sheathing to blocking.
- Senergy Joint/Transition Treatment Options: SikaWall MaxFlash, SikaWall Sheathing Fabric embedded in Senershield or SikaWall Flash Seal NP.
- If SikaWall Flash Seal NP is used, it must be fully coated with Senershield-R/-RS/-VB.

AWRB-34

2401

(\*NOTE: BY OTHERS)

The details within are latest recommendations and are represent in good faith by Sika Corporation US (hereinafter Sika). The details are subject to change without notice. Sika accepts no liability for the end use of the details. For conditions not shown, consult Sika for review of specific details.

- Install Sika materials in accordance with current installation instructions.
- Unsatisfactory conditions shall be reported to the General Contractor and corrected before the application of Sika products.



## LIMITED WARRANTY NOTICE

Prior to each use of any product of Sika Corporation, its subsidiaries or affiliates ("SIKA"), the user must always read and follow the warnings and instructions on the product's most current product label, Product Data Sheet and Safety Data Sheet which are available at [usa.sika.com/senergy](http://usa.sika.com/senergy) or by calling our Technical Service Department at +1 (800) 589-1336.

Nothing contained in any SIKA literature or materials relieves the user of the obligation to read and follow the warnings and instructions for each SIKA product as set forth in the current product label, Product Data Sheet and Safety Data Sheet prior to use of the SIKA product.

SIKA warrants this product for one year from date of installation to be free from manufacturing defects and to meet the technical properties on the current Product Data Sheet if used as directed within the product's shelf life. User determines suitability of product for intended use and assumes all risks. User's and/or buyer's sole remedy shall be limited to the purchase price or replacement of this product exclusive of any labor costs. NO OTHER WARRANTIES EXPRESS OR IMPLIED SHALL APPLY INCLUDING ANY WARRANTY OF MERCHANTABILITY OR FITNESS FOR A PARTICULAR PURPOSE. SIKA SHALL NOT BE LIABLE UNDER ANY LEGAL THEORY FOR SPECIAL OR CONSEQUENTIAL DAMAGES. SIKA SHALL NOT BE RESPONSIBLE FOR THE USE OF THIS PRODUCT IN A MANNER TO INFRINGE ON ANY PATENT OR ANY OTHER INTELLECTUAL PROPERTY RIGHTS HELD BY OTHERS. Sale of SIKA products are subject to the Terms and Conditions of Sale which are available at [usa.sika.com](http://usa.sika.com).

For the most current version of this literature, please visit our website at [usa.sika.com/senergy](http://usa.sika.com/senergy).

**Sika Corporation**

201 Polito Avenue  
Lyndhurst, NJ 07071 USA  
Customer Service +1 (800) 433-9517  
Technical Service +1 (800) 226-2424  
[usa.sika.com/senergy](http://usa.sika.com/senergy)

Rev May 2025

**BUILDING TRUST**

