

SIKA® HYDROTITE O-RINGS INFORMATION & INSTALLATION

SIKA® SIKA HYDROTITE O-RINGS INFORMATION & INSTALLATION

INTRODUCTION

SIKA HYDROTITE is a state-of-the art hydrophilic waterstop. Comprised of a modified chloroprene rubber, SIKA HYDROTITE has unmatched durability and water sealing capacity. Expanding up to three times its original volume when exposed to water, SIKA HYDROTITE conforms to gap variations along joints. This action ensures complete sealing even under high hydrostatic head pressures. Due to its slim profile, excellent concrete consolidation can be expected around the O-ring, with little chance of the profile being moved out of position when concrete is placed. SIKA HYDROTITE O-rings are available in a range of internal diameters to meet varying needs. SIKA HYDROTITE O-rings may be installed wherever a penetration through concrete needs to be sealed. Conduits, pipes, embedded sleeves, concrete wall ties, etc., can all be sealed utilizing SIKA HYDROTITE O-rings.

INSTALLATION

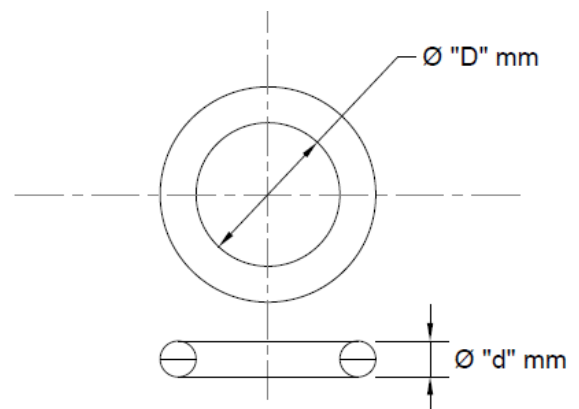
A minimum of 2" concrete coverage should be maintained over SIKA HYDROTITE O-rings when using 3000 PSI or greater compressive strength concrete. Coverage should be increased when concrete with lower compressive strength is used. Select a SIKA HYDROTITE O-ring with an inside diameter slightly less than the outside diameter of the member to be sealed. Roll SIKA HYDROTITE O-ring over the member to be sealed and into its final position. Properly selected O-rings will fit snug and will remain in position as concrete is placed.

IMPORTANT PRECAUTIONS

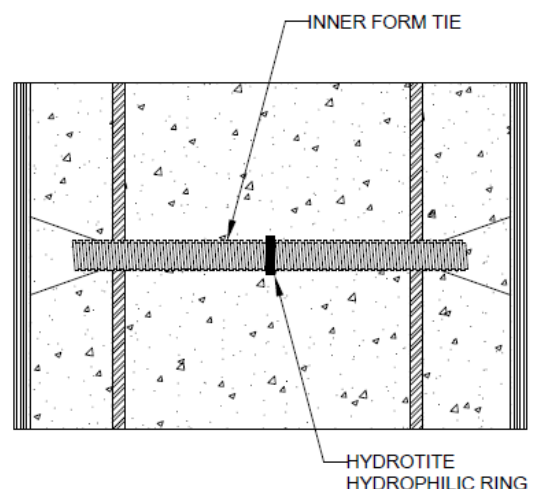
While SIKA HYDROTITE O-rings can be wet-dry cycled many times, a constantly damp and/or wet environment is ideal. Cracking of the concrete caused by the expansion pressure of SIKA HYDROTITE O-ring can be avoided by maintaining a 2" minimum concrete coverage. Increase the coverage if lightweight or low strength concrete (<3000 PSI compressive strength) is used.

SIKA HYDROTITE O-rings should be stored in a cool, dark, dry place.

Exposure to moisture prior to installation may expand the SIKA HYDROTITE O-ring prematurely. Installation of SIKA HYDROTITE O-rings in an expanded condition will severely reduce the effectiveness of the product.



Profile	Ø "d"	Ø "D"
GH0611	6	11
GH0614	6	14
GH0621	6	21
GH0624	6	24



SIKA® HYDROTITE O-RINGS INFORMATION & INSTALLATION

Greenstreak™



BUILDING TRUST

Once installed, adequate measures should be taken to prevent exposure to rain water, ground water, etc., before SIKA HYDROTITE O-rings are embedded in concrete.

Limited Warranty: Sika® warrants its products to be free of manufacturing defects and that they will meet Sika's current published physical properties when applied in accordance with Sika's directions and tested in accordance with ASTM and Sika's standards. There are no other warranties by Sika® of any nature whatsoever expressed or implied, including any warranty of merchantability or fitness for a particular purpose in connection with this product. Sika® shall not be liable for damages of any sort, including remote or consequential damages resulting from any claimed breach of any warranty, whether expressed or implied, including any warranty of merchantability or fitness for a particular purpose or from any other cause whatsoever. Sika® shall also not be responsible for use of this product in a manner to infringe on any patent held by others.

Sika Corporation - US

201 Polito Avenue
Lyndhurst, NJ 07071
United States
Usa.Sika.com

For More Information Contact

Sika - St. Louis Sales Office
3400 Tree Court Industrial Blvd.
63122, St. Louis, MO
United States
www.USA.Sika.com
Phone: 1-800-325-9504
Fax: 800-551-5145