



Sikalastic®-500

SINGLE COMPONENT, ULTRA HIGH SOLIDS, LOW VOC & UV-STABLE LIQUID APPLIED SILICONE ROOF COATING

BUILDING TRUST



Sikalastic®-500

Single Component, Ultra High Solids, Low VOC, UV-Stable Liquid Applied Silicone Roof Coating

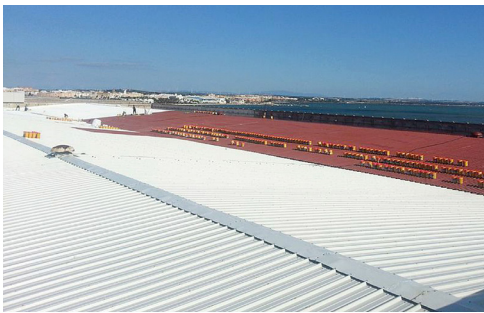
FEATURES & BENEFITS

- Highly UV resistant - Non yellowing - ideal for Cool Roofs (SRI ≥ 112)
- Seamless waterproofing membrane - lower risk of leakage
- Single component - Easy to apply - no mixing errors
- Ultra high solids - High material yield - low shrinkage
- Cold applied - Requires no heat or flame - reduces risk
- Low VOC content - California VOC and AQMD compliant - Eco friendly
- Highly elastic - Retains flexibility at low temperatures - Durable
- High tensile strength - Durable and long lasting waterproofing solution
- Good adhesion to a variety of substrates - Very versatile
- Resistant to ponding water - Ideal roof refurbishment solution



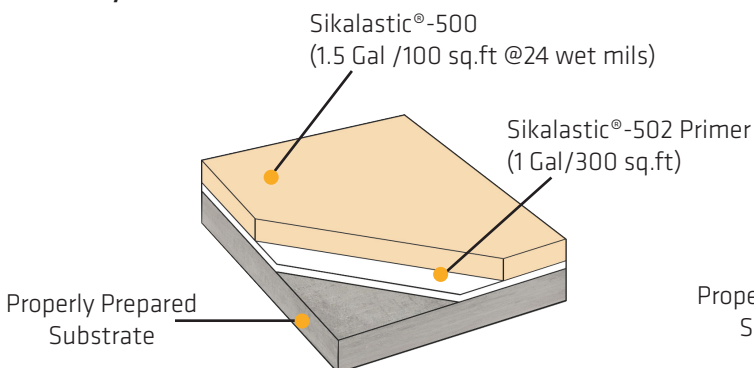
TECHNICAL DATA

Shelf Life	8 Months
Curing (75°F-24°C, 50% R.H.)	4 Hours
Tensile Strength, ASTM D-412	300 psi
Elongation, ASTM D-412	200 ± 15%
Specific Gravity	1.34
% Solids by Weight, ASTM D-2369	98%
% Solids by Volume, ASTM D-2697	98%
VOC, ASTM D-2369-81	34g/L
SRI	112
Colors	White, Light Gray, Tan & Custom

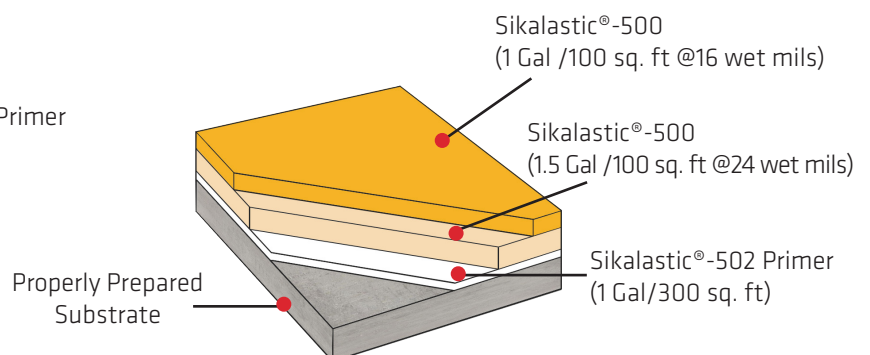


SYSTEM BUILD UP ON CONCRETE

24 mils system



40 mils system



PRIMER CHART

	Remark	Sikalastic®-501 Primer	Sikalastic®-502 Primer	Sikalastic®-503 Primer	Sikalastic®-504 Primer	Abrade
Concrete	1,3		■			
Brickwork	3		■			
Asphalt	2,3	■				
Bituminous Felt	2,3	■				
Bituminous Coating	2,3	■				
Metal	3	■	■			■
Lead	3	■	■			■
Aluminum	3	■	■			■
Stainless Steel	3	■	■			■
Polyurethane Coatings / Foam	3		■			
Wood	3		■			
PVC / FPO	3			■		
EPDM	3				■	
Acrylic Coatings	3		■			

1. New cementitious substrates must be Portland base and be cured min. 14 days.
2. The presence of volatiles may cause discoloration of Sikalastic if not properly primed.
3. Surface evaluation and field adhesion testing.

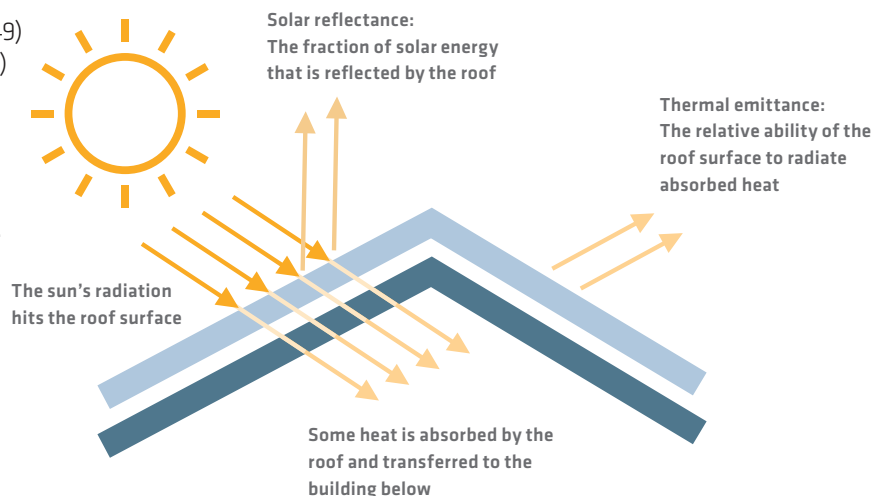
APPROVALS

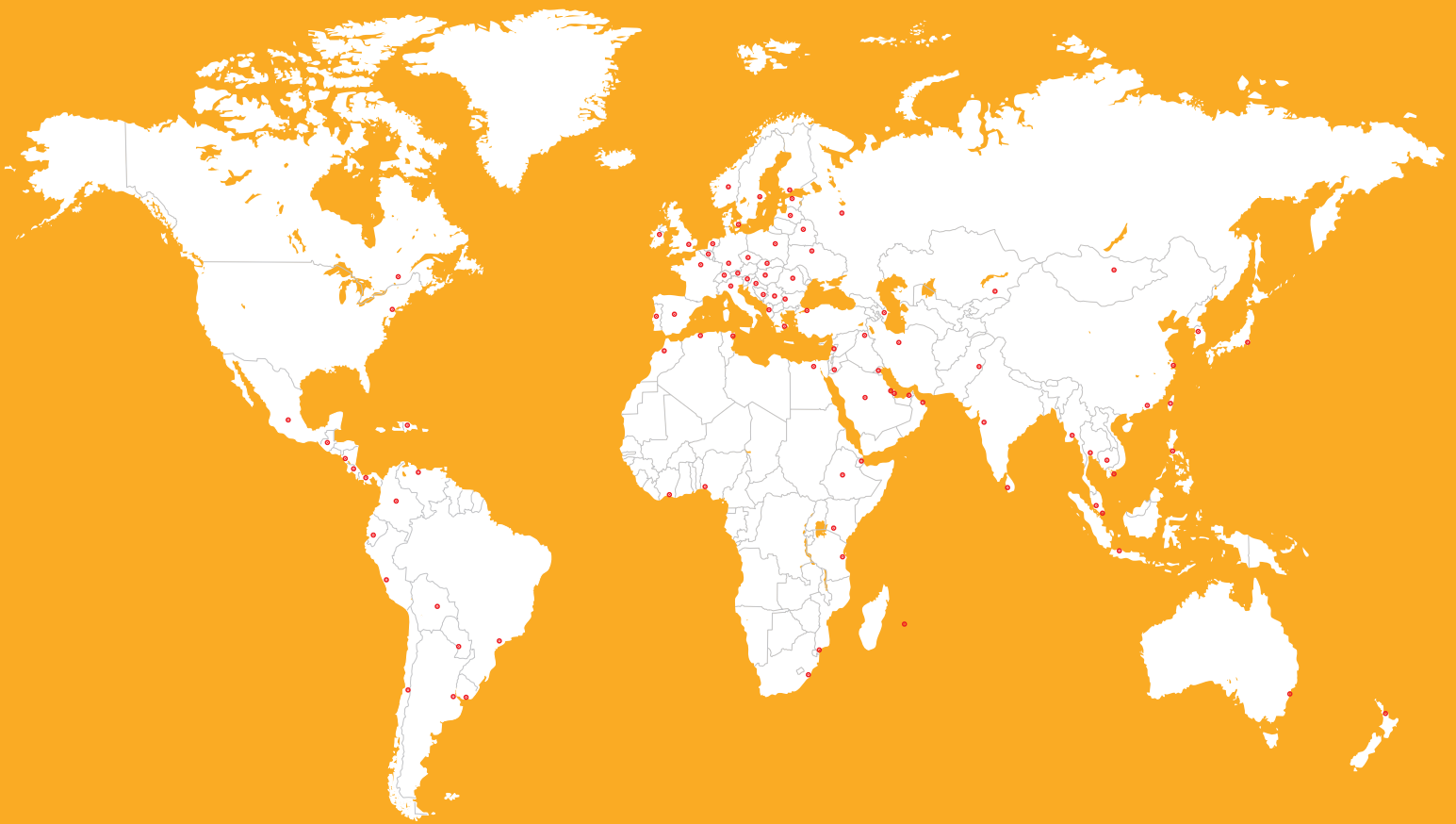
CRRC Registration

Thermal Emittance:	0.91 (ASTM C-137)
Solar Reflectance:	0.88 (ASTM C-1549)
Initial Solar Reflectance Index (SRI)	112 (ASTM E-1980)

Benefits of a Cool Roof

- Reduce energy consumption of air conditioning.
- Reduce urban heat island effect.
- Reduce thermal stress on a roof and material itself.
- Reduce running and maintenance costs.
- Positive impact on global environment.
- Increase efficiency of photovoltaic panels.
- Conformity with LEED v2009 (SSc 7.2) / v4 (SSc 5).





FOR MORE SIKA ROOFING INFORMATION:

Contact Sika: Phone: 1-800-933-SIKA (Nationwide), Website: www.usa.sika.com

All sales of Sika products are subject to Sika's current Terms and Conditions of Sale available at www.sikausa.com or by calling 201-933-8800. Prior to each use of any Sika product, the user must always read and follow the warnings and instructions on the product's most current Product Data Sheet, product label and Material Safety Data Sheet, which are available at www.sikausa.com or by calling Technical Services at 1-800-933-7452. Nothing contained in any Sika materials relieves the user of the obligation to read and follow the warnings and instructions for each Sika product as set forth in the current Product Data Sheet, product label and Material Safety Data Sheet prior to product use.

The sale of all Sika products are subject to the following Limited Warranty:

LIMITED MATERIAL WARRANTY

SIKA warrants this product for one year from date of installation to be free from manufacturing defects and to meet the technical properties on the current Product Data Sheet if used as directed within shelf life. User determines suitability of product for intended use and assumes all risks. Buyer's sole remedy shall be limited to the purchase price or replacement of product exclusive of labor or cost of labor.

NO OTHER WARRANTIES EXPRESS OR IMPLIED SHALL APPLY INCLUDING ANY WARRANTY OF MERCHANTABILITY OR FITNESS FOR A PARTICULAR PURPOSE. SIKA SHALL NOT BE LIABLE UNDER ANY LEGAL THEORY FOR SPECIAL OR CONSEQUENTIAL DAMAGES. SIKA SHALL NOT BE RESPONSIBLE FOR THE USE OF THIS PRODUCT IN A MANNER TO INFRINGE ON ANY PATENT OR ANY OTHER INTELLECTUAL PROPERTY RIGHTS HELD BY OTHERS.



Our most current General Sales Conditions shall apply. Please consult the Product Data Sheets prior to any use and processing.

SIKA CORPORATION

201 Polito Avenue
Lyndhurst, NJ 07071
Phone: 201-933-8800
Fax: 201-933-6225

SIKA CANADA INC.

601 Delmar Avenue
Pointe Claire
Quebec H9R 4A9
Phone: 514-697-2610
Fax: 514-694-2792

SIKA MEXICANA S.A. DE C.V.

Carretera Libre Celaya Km. 8.5
Fracc. Industrial Balvanera
Corregidora, Queretaro
C.P. 76920
Phone: 52 442 2385800
Fax: 52 442 2250537

BUILDING TRUST

