

TITEN® Concrete and Masonry Screw Anchors

SIMPSON
Strong-Tie



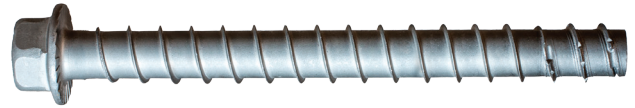
(800) 999-5099
strongtie.com

A complete line of high-performance solutions

The Titen® family of concrete and masonry anchoring solutions from Simpson Strong-Tie offers a broad range of versatile, high-performance products designed for strength and reliability with fast and easy installation for every application. Backed by extensive evaluation reports, rigorous testing and longstanding legacy of expert engineering, each of our innovative screw anchors are designed for maximum ease and efficiency — ensuring a quick, smooth installation the first time, every time. With reliable, widespread product availability and skilled field support teams, you'll always have the Titen solutions and technical knowledge to help you build better than ever.



Titen HD® Heavy-Duty Screw Anchor



Titen HD Stainless-Steel Heavy-Duty Screw Anchor



Titen HD Countersunk Screw Anchor



Titen® Stainless-Steel Hex-Head Screw Anchor



Titen HD Rod Hanger



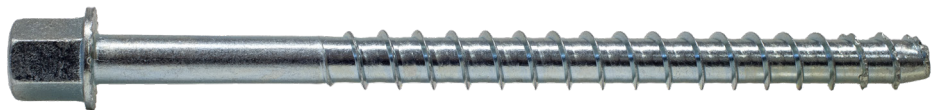
Titen HD Heavy-Duty Screw Anchor with Washer-Head



Titen HD Countersunk Screw Anchor Stainless-Steel



Titen Turbo™ Screw Anchor



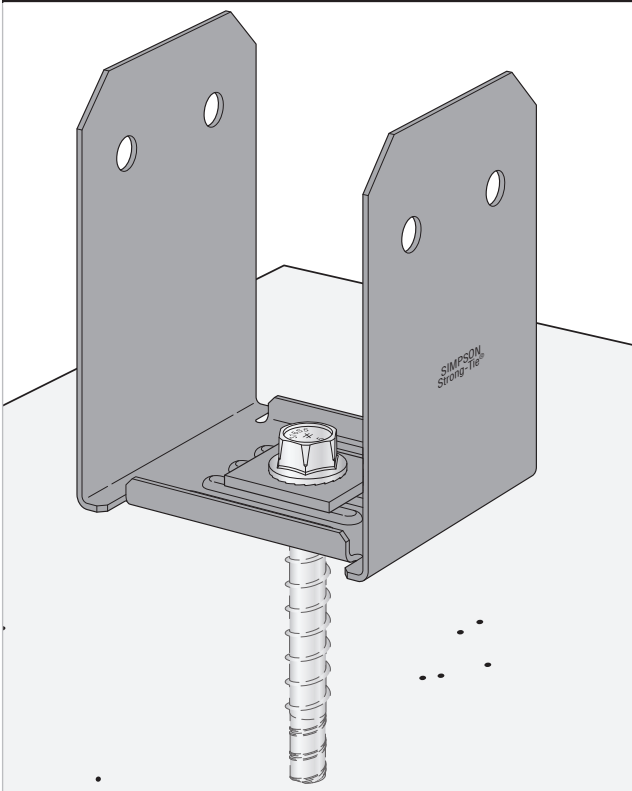
Titen HD Rod Coupler

Titen Products

	Material/Coating				
	Carbon Steel		Stainless Steel Type		
	Zinc Plated	Mechanically Galvanized	304 SS	316 SS	410 SS
Titen HD Heavy-Duty Screw Anchor	✓	✓	✓	✓	—
Titen HD Heavy-Duty Screw Anchor Countersunk Head Style	✓	—	—	✓	—
Titen HD Heavy-Duty Screw Anchor Washer-Head Head Style	✓	—	—	—	—
Titen Turbo Concrete and Masonry Screw Anchor	✓	—	—	—	—
Titen HD Threaded Rod Hanger	✓	—	—	—	—
Titen HD Rod Coupler	✓	—	—	—	—
Titen Stainless-Steel Concrete and Masonry Screw	—	—	—	—	✓

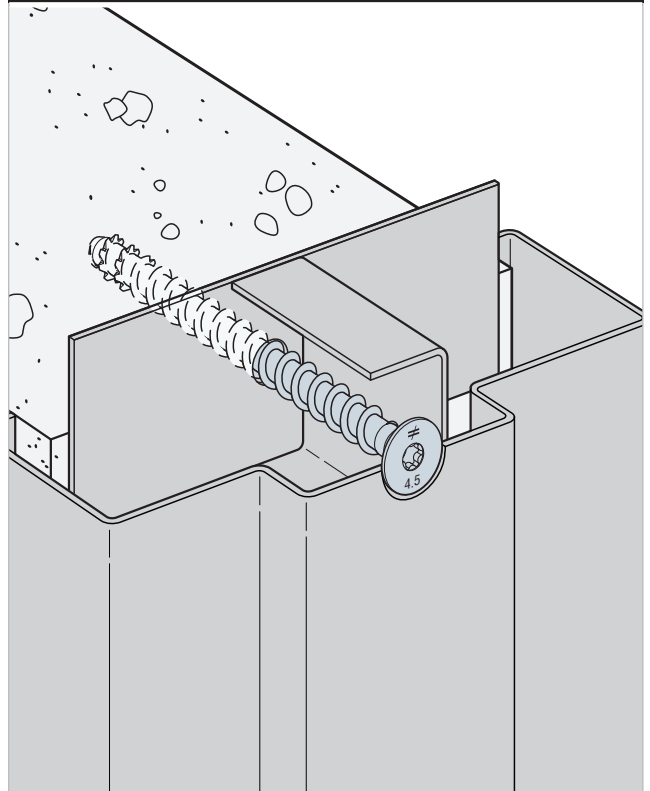
TITEN Screw Anchors

Stainless-Steel Titen HD®
Heavy-Duty Screw Anchor



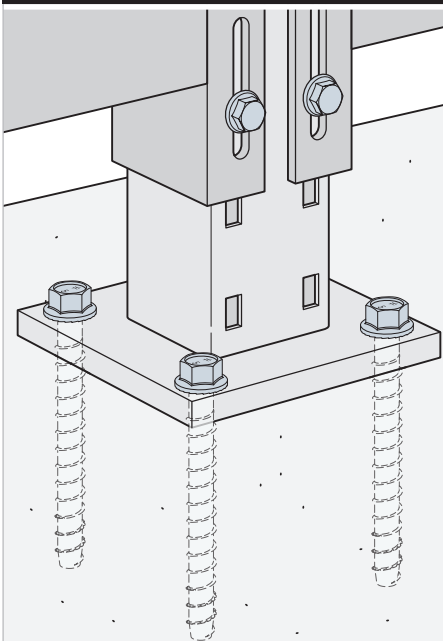
The only stainless-steel screw anchor available in Type 304 SS.

Titen HD Countersunk
Heavy-Duty Screw Anchor



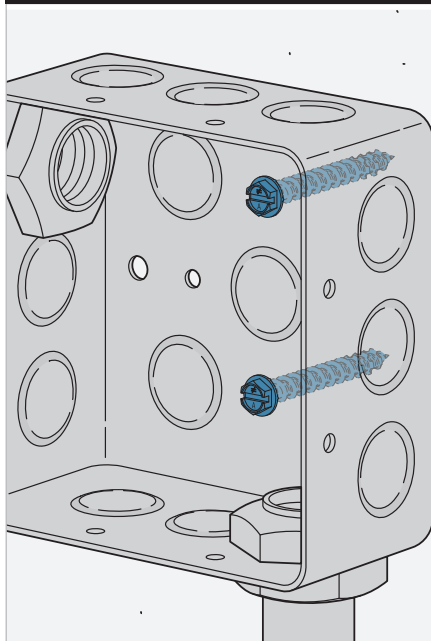
A new and improved anchor for hollow metal door frame installs.

Titen HD Heavy-Duty
Screw Anchor



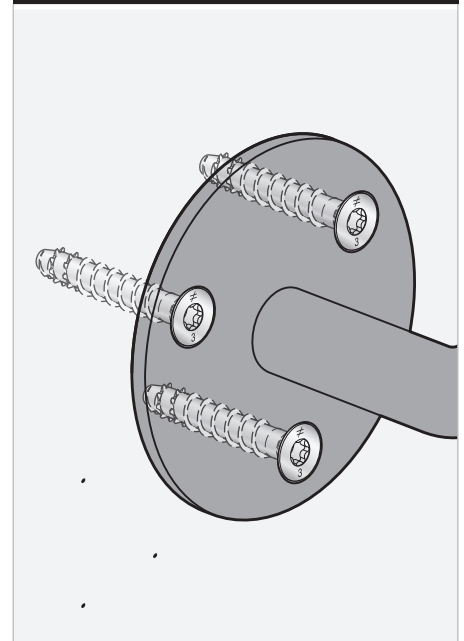
Faster and removable vs. wedge anchor, perfect for racking applications.

Titen Turbo™ Concrete and
Masonry Screw Anchor (Hex-Head)



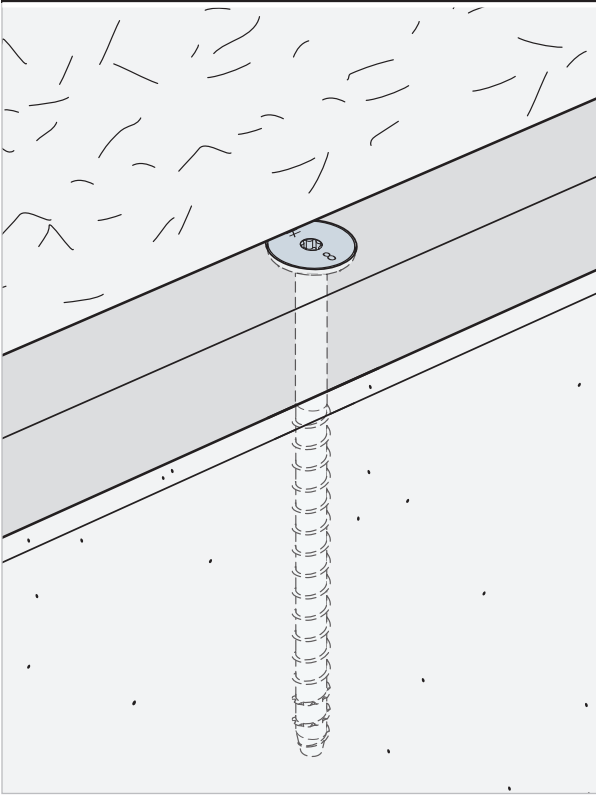
Faster, more reliable installation for light-duty applications.

Stainless-Steel Titen HD Countersunk
Heavy-Duty Screw Anchor



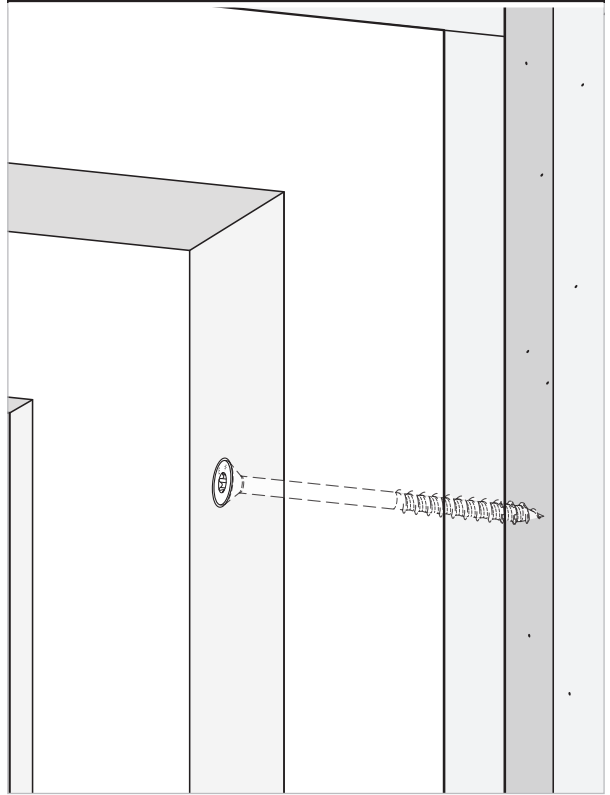
Gives a clean, architectural look for handrail installations.

Titen HD® Heavy-Duty
Screw Anchor with Washer-Head



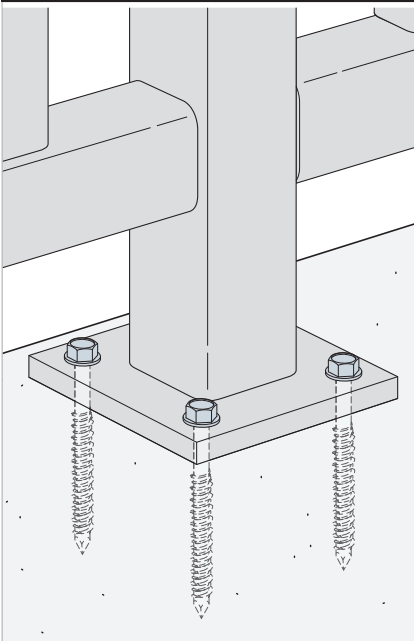
The only heavy-duty screw anchor available in a low profile head style.

Titen Turbo™ Concrete and
Masonry Screw Anchor (Flat-Head)



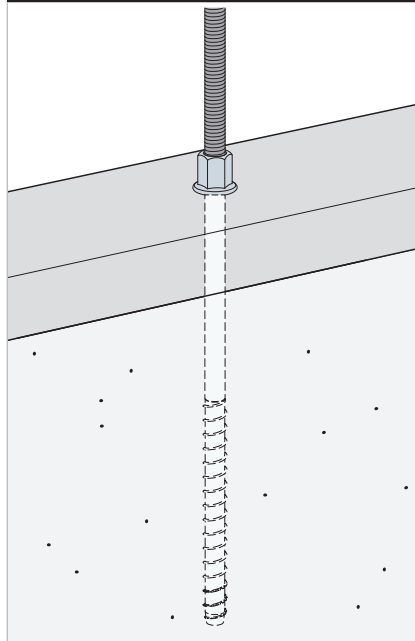
Window applications.

Stainless-Steel **Titen HD** Concrete
and Masonry Screw Anchor



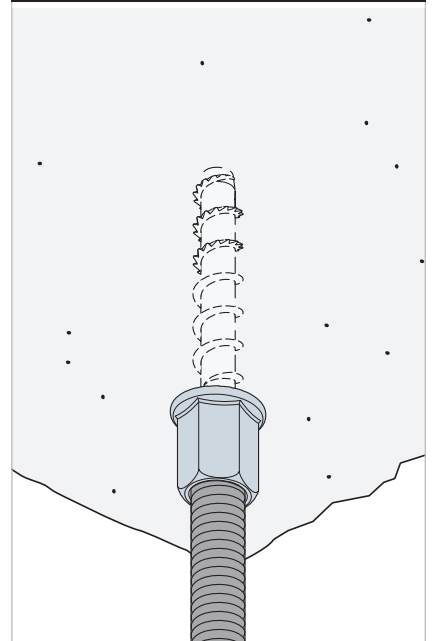
Light-duty stainless-steel anchor versatile for a variety of applications.

Titen HD
Rod Coupler



Code-listed screw anchor where reinforced threaded rod wall systems are required.

Titen HD
Threaded Rod Hanger



Stronger, faster solution for threaded rod attachments vs. traditional drop-in anchor.

Product		Tested Base Materials and Code Listings				Other Listings	
		Concrete		Concrete on Metal Deck	CMU		
		Cracked	Uncracked		Grout-Filled		Hollow
Mechanical Anchors	Titen HD® (THD)		ESR-2713 (COLA), FL15730		ESR-1056 (COLA), FL15730	IBC	FM, DOT
	Stainless-Steel Titen HD (THD-SS)		ER-493 (COLA), FL16230		ESR-1056 (COLA), FL15730		DOT
	Titen HD Countersunk (THD-CS)		ESR-2713 (COLA), FL15730		ESR-1056 (COLA), FL15730	IBC	DOT
	Stainless-Steel Titen HD Countersunk (THD-CS-SS)		ER-493 (COLA), FL16230		ESR-1056 (COLA), FL15730		DOT
	Titen HD Washer Head (THD-WH)		ESR-2713 (COLA) FL 15730		IBC		DOT
	Titen HD Rod Coupler (THD-RC)		ESR-2713 (COLA), FL15730		—	—	DOT
	Titen HD Rod Hanger (THD-RH)		ESR-2713 (COLA), FL15730		—	—	FM
	Titen Turbo™ (TNT)		—	ER-712 (COLA), FL16230	—	ER-716 (COLA), FL16230	

Trusted quality, code-listed and innovative anchors that can be installed in exterior and corrosive environments.

When it comes to anchorage, specifying a material that can withstand the environment is critical. Proper protection comes from materials that are capable of resisting corrosion while maintaining their strength.

Most anchor products are made from carbon steel. This material is easy to form into a screw or an expansion anchor and can be heat treated to increase its strength and durability. Steel is versatile but can weaken in a corrosive environment. Left unprotected, the iron in the steel will react with oxygen and moisture to form iron oxide — also known as rust.

Note: For detailed information, see strongtie.com *Anchoring, Fastening, Restoration and Strengthening Systems for Concrete and Masonry* catalog (Appendix).

Minimum Corrosion Resistance Recommendations

Corrosion Resistance Classification by Environment	Recommended Product Material or Coating
Low	Zinc plated
Medium	Mechanically galvanized (ASTM B695 — Class 55)
	Hot-dip galvanized (ASTM A153 — Class C)
High	Type 303 or 304 stainless steel
Severe	Type 316 stainless steel

Environments

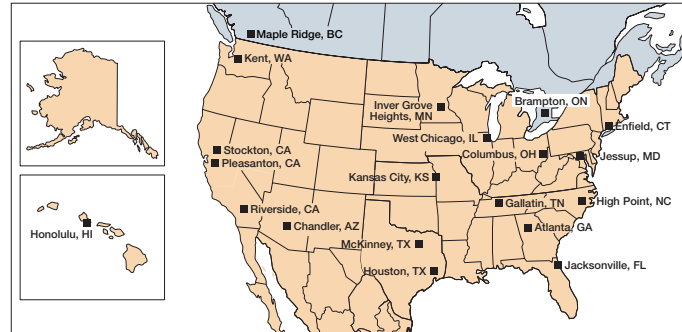
There are four levels of corrosive environments (as shown on this table).

A legacy of service and support

Simpson Strong-Tie prides itself on delivering a knowledgeable team of sales and engineering experts that our customers have trusted for over 60 years. On the phone, online or on your jobsite, our people are always there to help your projects run smoother, faster and smarter.

Everywhere you are with the products and training you need.

As a leader in innovation, research and testing, Simpson Strong-Tie is one of North America's largest suppliers of structural building products. With facilities from coast to coast and a distribution network that's second to none, we can have any product on your jobsite exactly when you need it. And our extensive network of onsite training centers and remote workshops ensure that you'll have the knowledge you'll need to get the job done right.



Anchor software and web apps



Anchor Reference Tool

Easily identify the Simpson Strong-Tie alternative to specified mechanical or adhesive anchor product(s), either by specified product name or code listing.



Post-to-Foundation Designer

Easily design holdowns and anchors that resist uplift loads per latest building codes. For a given uplift load, quickly identify cost-effective Simpson products by filtering thousands of solutions.

Visit: strongtie.com/softwareandwebapplications/category.

Anchor Designer™ software for ACI 318, ETAG and CSA

Simpson Strong-Tie Anchor Designer Software is the latest anchorage design tool for structural engineers to satisfy the strength design provisions and methodologies. Anchor Designer will quickly and accurately analyze an existing design or suggest anchorage solutions based upon user-defined design elements in cracked and uncracked concrete conditions.

The real-time design is visually represented in a fully-interactive 3D graphic user interface, supports imperial- and metric-sized Simpson Strong-Tie mechanical and adhesive anchors, and offers cast-in-place anchor solutions. Anchor Designer can calculate single anchor solutions or with multiple anchors in a single plate. Anchor locations are fully customizable to assist engineers in complex design conditions.



Features include:

- Design standards: ACI 318-14 Chapter 17 / ACI 318-11 Appendix D, CAN / CSA A23.3 Annex D, ETAG 001 Annex C or EOTA TR029.
- Customizable anchor pattern.
- Easy-to-use menus.
- Ability to calculate single anchor model or to calculate multiple anchor models at once.
- Multi-lingual options include English, German, French, Spanish, Polish and Danish languages.
- Rectangular, circular, L-shape and T-shape base plate geometries with the option to include slotted holes.
- And much more!

