

ABA/ABU/ABW

Adjustable and Standoff Post Bases

Additional standoff bases are on p. 379.

The AB series of retrofit adjustable post bases provide a 1" standoff for the post, are slotted for adjustability and can be installed with nails, Strong-Drive® SD Connector screws or bolts (ABU). Depending on the application needs, these adjustable standoff post bases are designed for versatility, cost-effectiveness and maximum uplift performance.

Features:

- The slot in the base enables flexible positioning around the anchor bolt, making precise post placement easier
- The 1" standoff helps prevent rot at the end of the post and meets code requirements for structural posts installed in basements or exposed to weather or water splash

Material: Varies (see table)

Finish: All galvanized, most offered in ZMAX®; see Corrosion Information, pp. 15–18

Installation:

- Use all specified fasteners; see General Notes.
- See our *Anchoring and Fastening Systems for Concrete and Masonry* catalog, or visit strongtie.com for retrofit anchor options or reference technical bulletin T-A-ANCHORSPEC.
- Post bases do not provide adequate resistance to prevent members from rotating about the base and therefore are not recommended for non top-supported installations (such as fences or unbraced carports).
- Place the base, load transfer plate and nut on the anchor bolt. Loosely tighten the nut.

ABW

Place the standoff base and then the post in the ABW and fasten on three vertical sides, using nails or Strong-Drive SD Connector screws

- Make any necessary adjustments to post placement and tighten the nut securely on the anchor bolt
- Bend up the fourth side of the ABW and fasten using the correct fasteners

ABU

Place the standoff base and then the post in the ABU

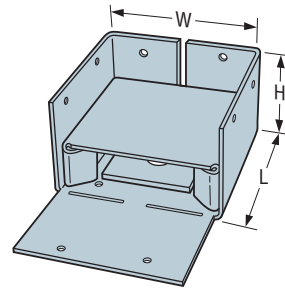
- Fasten using nails or Strong-Drive SD Connector screws or bolts (ABU88Z, ABU1010Z, **ABU1212Z** – SDS optional)

ABA

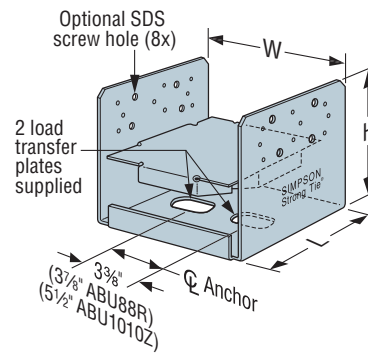
Place the post in the ABA

- Fasten using nails or Strong-Drive SD Connector screws

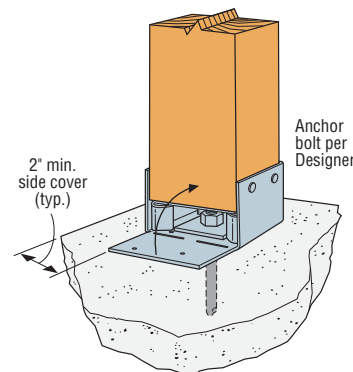
Codes: See p. 14 for Code Reference Key Chart



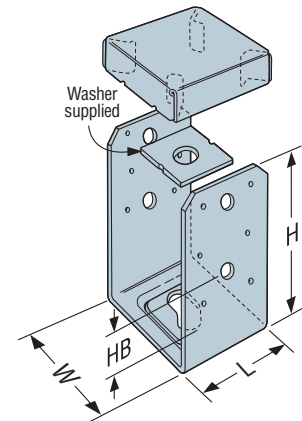
ABWZ



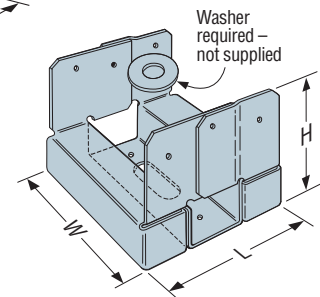
ABU88Z
(Other sizes similar)



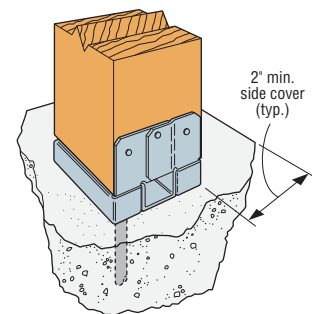
Typical ABWZ Installation



ABA44Z
(Other sizes similar)



ABA44Z
(Other sizes similar)



Typical ABA44Z Installation

ABA/ABU/ABW

Adjustable and Standoff Post Bases (cont.)

These products are available with additional corrosion protection. For more information, see p. 18.

These products are approved for installation with the Strong-Drive® SD Connector screw. See pp. 39–40 for more information.

| Model No. | Nominal Post Size | Material (ga.) | | Dimensions (in.) | | | | Fasteners | | | | Allowable Loads (DF/SP) | | | Code Ref. |
|-----------|---|----------------|-------|--------------------------------|--------------------------------|---------------------------------|-------------------------------|-------------------|----------|---------------|------|-------------------------|-------|------------|----------------|
| | | Base | Strap | W | L | H | HB ⁶ | Anchor Dia. (in.) | Nails | Machine Bolts | | Uplift | | Down (100) | |
| | | | | | | | | | | Qty. | Dia. | Nails | Bolts | | |
| ABA44Z | 4x4 | 16 | 16 | 3 ⁹ / ₁₆ | 3% | 3 ¹ / ₁₆ | — | 1/2 | (6) 10d | — | — | 555 | — | 6,000 | I3, FL, L5 |
| ABW44Z | 4x4 | 16 | 16 | 3 ⁹ / ₁₆ | 3 ⁹ / ₁₆ | 2 ¹ / ₄ | — | 1/2 | (8) 10d | — | — | 1,005 | — | 7,180 | I3 |
| SS ABU44Z | 4x4 | 16 | 12 | 3 ⁹ / ₁₆ | 3 | 5 ¹ / ₂ | 1 ³ / ₄ | 5/8 | (12) 16d | 2 | 1/2 | 2,200 | 2,160 | 6,665 | I3, FL, L2, L5 |
| ABU44RZ | Rough 4x4 | 16 | 12 | 4 | 4 | 5 ¹ / ₄ | 1 ¹ / ₂ | 5/8 | (12) 16d | 2 | 1/2 | 2,200 | 2,160 | 6,665 | 170 |
| ABA44RZ | Rough 4x4 | 16 | 16 | 4 ¹ / ₁₆ | 3 ¹ / ₈ | 2 ¹ / ₁₆ | — | 1/2 | (6) 10d | — | — | 555 | — | 8,000 | I3, FL, L2, L5 |
| ABW44RZ | Rough 4x4 | 16 | 16 | 4 | 4 ¹ / ₁₆ | 1 ¹⁵ / ₁₆ | — | 1/2 | (8) 10d | — | — | 835 | — | 7,180 | I3 |
| ABW46Z | 4x6 | 12 | 16 | 3 ⁹ / ₁₆ | 5 ⁵ / ₁₆ | 3 | — | 1/2 | (10) 10d | — | — | 845 | — | 4,590 | I3 |
| ABA46Z | 4x6 | 14 | 14 | 3 ⁹ / ₁₆ | 5 ⁵ / ₁₆ | 3 ¹ / ₈ | — | 5/8 | (8) 16d | — | — | 700 | — | 9,435 | I3, FL, L5 |
| SS ABU46Z | 4x6 | 12 | 12 | 3 ⁹ / ₁₆ | 5 | 7 | 2 ⁵ / ₈ | 5/8 | (12) 16d | 2 | 1/2 | 2,300 | 2,300 | 10,335 | I3, FL, L2 |
| ABU46RZ | Rough 4x6 | 12 | 12 | 4 | 6 | 6 ³ / ₄ | 2 ³ / ₈ | 5/8 | (12) 16d | 2 | 1/2 | 2,300 | 2,300 | 10,335 | 170 |
| ABW46RZ | Rough 4x6 | 12 | 16 | 4 | 6 | 2 ¹ / ₁₆ | — | 1/2 | (10) 10d | — | — | 780 | — | 4,590 | I3 |
| ABA46RZ | Rough 4x6 | 14 | 14 | 4 ¹ / ₁₆ | 5 ⁵ / ₁₆ | 2 ⁷ / ₈ | — | 5/8 | (8) 16d | — | — | 700 | — | 12,000 | I3, FL, L5 |
| ABU5-5Z | 5 ¹ / ₂ x5 ¹ / ₈ | 12 | 10 | 5 ¹ / ₄ | 5 | 6 ¹ / ₁₆ | 1 ³ / ₄ | 5/8 | (12) 16d | 2 | 1/2 | 2,235 | 2,235 | 12,000 | 170 |
| ABU5-6Z | 5 ¹ / ₂ x6 | 12 | 10 | 6 ¹ / ₈ | 5 | 6 ¹ / ₁₆ | 1 ³ / ₄ | 5/8 | (12) 16d | 2 | 1/2 | 2,235 | 2,235 | 12,000 | |
| ABA66Z | 6x6 | 14 | 14 | 5 ¹ / ₂ | 5% | 3 ¹ / ₈ | — | 5/8 | (8) 16d | — | — | 720 | — | 10,665 | I3, FL, L5 |
| ABW66Z | 6x6 | 12 | 14 | 5 ¹ / ₂ | 5 ⁵ / ₁₆ | 3 | — | 1/2 | (12) 10d | — | — | 1,190 | — | 12,935 | I3 |
| SS ABU66Z | 6x6 | 12 | 10 | 5 ¹ / ₂ | 5 | 6 ¹ / ₁₆ | 1 ³ / ₄ | 5/8 | (12) 16d | 2 | 1/2 | 2,300 | 2,300 | 12,000 | I3, FL, L2 |
| ABU66RZ | Rough 6x6 | 12 | 10 | 6 | 6 | 5 ¹ / ₁₆ | 1 ¹ / ₂ | 5/8 | (12) 16d | 2 | 1/2 | 2,300 | 2,300 | 12,000 | 170 |
| ABA66RZ | Rough 6x6 | 14 | 14 | 6 | 5 ⁵ / ₁₆ | 2 ⁷ / ₈ | — | 5/8 | (8) 16d | — | — | 720 | — | 12,665 | I3, FL, L5 |
| ABW66RZ | Rough 6x6 | 12 | 14 | 6 | 6 | 2 ¹ / ₁₆ | — | 1/2 | (12) 10d | — | — | 1,065 | — | 12,935 | 170 |
| ABW7-7Z | 7 ¹ / ₈ " x 7 ¹ / ₈ " | 12 | 14 | 7 ¹ / ₈ | 7 ⁵ / ₁₆ | 3 | — | 1/2 | (12) 10d | — | — | 840 | — | 17,270 | |
| SS ABU88Z | 8x8 | 14 | 12 | 7 ¹ / ₂ | 7 | 7 | — | (2) 5/8 | (18) 16d | — | — | 2,320 | — | 24,335 | I3, FL |
| ABU88RZ | Rough 8x8 | 14 | 12 | 8 | 7 | 7 | — | (2) 5/8 | (18) 16d | — | — | 2,320 | — | 24,335 | 170 |
| ABU1010Z | 10x10 | 14 | 14 | 9 ¹ / ₂ | 9 | 7 ¹ / ₄ | — | (2) 5/8 | (22) 16d | — | — | 2,270 | — | 32,020 | |
| ABU1010RZ | Rough 10x10 | 14 | 14 | 10 | 9 | 7 | — | (2) 5/8 | (22) 16d | — | — | 2,270 | — | 32,020 | |
| ABU1212Z | 12x12 | 12 | 12 | 11 ¹ / ₂ | 11 | 7 ¹ / ₄ | — | (2) 5/8 | (22) 16d | — | — | 3,000 | — | 34,745 | 160 |
| ABU1212RZ | Rough 12x12 | 12 | 12 | 12 | 11 | 7 | — | (2) 5/8 | (22) 16d | — | — | 3,000 | — | 34,745 | |

1. Uplift loads have been increased for wind or earthquake with no further increase allowed; reduce where other loads govern.

2. Downloads may not be increased for short-term loading.

3. Specifier to design concrete for uplift capacity.

4. ABU products may be installed with either bolts or nails (not both) to achieve table loads. ABU88Z, ABU88R, ABU1010Z, ABU1010RZ and ABU1212Z/RZ may be installed with (8) 1/4" x 3" Strong-Drive® SDS Heavy-Duty Connector screws (sold separately) for the same table load.

5. For AB bases, higher download can be achieved by solidly packing grout under 1" standoff plate before installation. Base download on column, grout, or concrete according to the code.

6. HB dimension is the distance from the bottom of the post up to the first bolt hole.

7. Structural composite lumber columns have sides that show either the wide face or the edges of the lumber strands/veneers. For SCL columns, the fasteners for these products should always be installed in the wide face.

8. Downloads shall be reduced where limited by the capacity of the post. See pp. 383–385 for common post allowable loads.

9. Nails: 16d = 0.162" dia. x 3¹/₂" long, 10d = 0.148" dia. x 3" long. See pp. 26–27 for other nail sizes and information.