

ABA/ABU/ABW

Adjustable and Standoff Post Bases

Additional standoff bases are on p. 331.

The AB series of retrofit adjustable post bases provide a 1" standoff for the post, are slotted for adjustability and can be installed with nails, Strong-Drive® SD Connector screws or bolts (ABU). Depending on the application needs, these adjustable standoff post bases are designed for versatility, cost-effectiveness and maximum uplift performance.

Features:

- The slot in the base enables flexible positioning around the anchor bolt, making precise post placement easier
- The 1" standoff helps prevent rot at the end of the post and meets code requirements for structural posts installed in basements or exposed to weather or water splash

Material: Varies, see table

Finish: ZMAX® and some in stainless steel; see Corrosion Information, pp. 12–15

Installation:

- Use all specified fasteners; see General Notes.
- See our *Anchoring, Fastening, Restoration and Strengthening Systems for Concrete and Masonry* catalog or visit strongtie.com for retrofit anchor options, such as Titen HD®, Stainless Steel Titen HD or SET-3G™.
- Post bases do not provide adequate resistance to prevent members from rotating about the base and therefore are not recommended for non-top-supported installations (such as fences or unbraced carports).
- Place the base, cut washer(s) or load transfer plate(s) and nut(s) on the anchor bolt(s). Make any necessary adjustments to post placement and tighten the nut securely on the anchor bolt.
- See strongtie.com for information on hollow column installation.

ABW

Place the standoff base and then the post in the ABW and fasten on three vertical sides, using nails or Strong-Drive SD Connector screws
 – Bend up the fourth side of the ABW and fasten using the correct fasteners

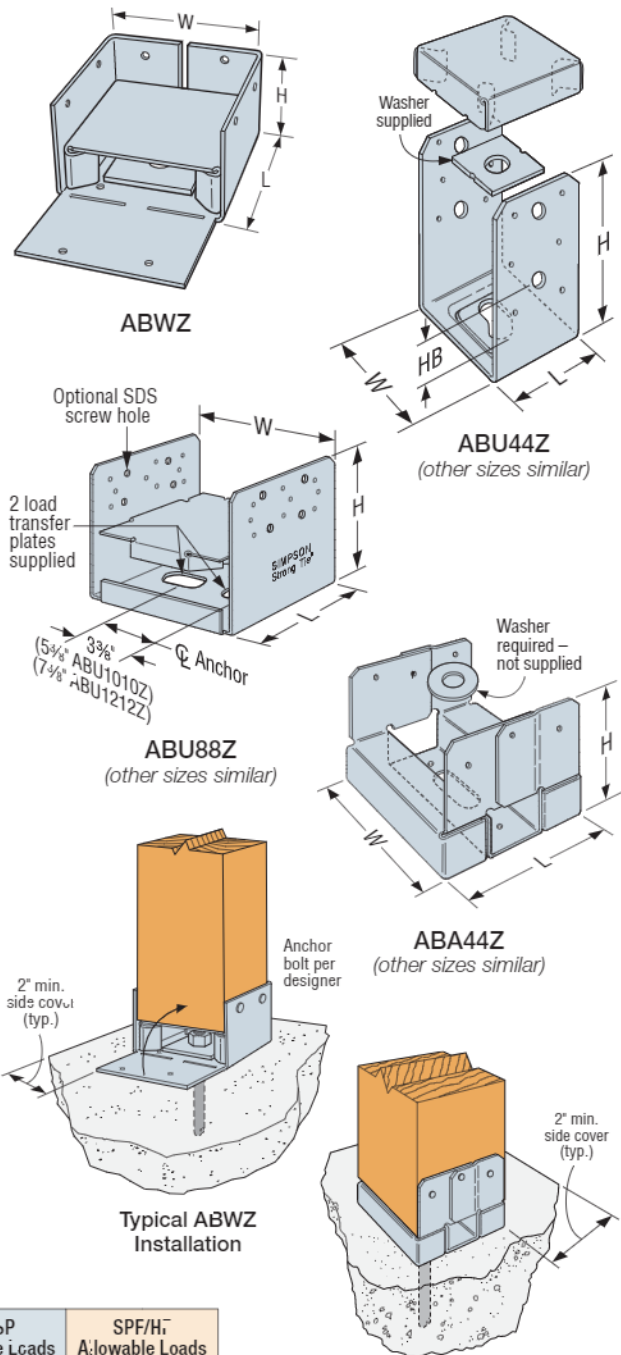
ABU

Place the standoff base and then the post in the ABU
 – Fasten using nails or Strong-Drive SD Connector screws or bolts (ABU88Z, ABU1010Z, ABU1212Z – SDS optional)

ABA

Place the post in the ABA
 – Fasten using nails or Strong-Drive SD Connector screws

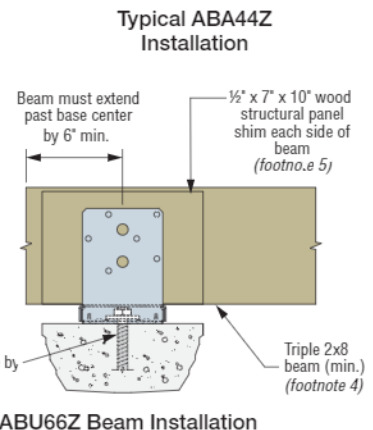
Codes: See p. 11 for Code Reference Key Chart



Allowable Loads — Beam Installation

Model No.	Nominal Beam Size	Material (ga.)		Dimensions (in.)			Fasteners (in.)		DF/SP Allowable Loads		SPF/HF Allowable Loads	
		Base	Strap	W	L	H	Anchor Dia.	Lails	Uplift (160)	Down (100)	Uplift (160)	Down (100)
ABU46Z	Double 2x	12	12	5 3/16	5	7	5/8	(12) 0.162 x 3 1/2	2,030	8,475	1,820	6,075
ABU46Z	4x	12	12	3 3/16	5	7	5/8	(12) 0.162 x 3 1/2	2,155	9,290	1,850	7,090
ABU46RZ	Rough 4x	12	12	4	6	6 3/4	5/8	(12) 0.162 x 3 1/2	2,155	9,890	1,850	7,090
ABU66Z	Triple 2x	12	10	5 1/2	5	6 1/4	5/8	(12) 0.162 x 3 1/2	1,405	12,715	1,165	9,115
ABU66Z	6x	12	10	5 1/2	5	6 1/4	5/8	(12) 0.162 x 3 1/2	1,905	12,320	1,340	11,110
ABU66RZ	Rough 6x	12	10	6	6	5 13/16	5/8	(12) 0.162 x 3 1/2	1,905	12,920	1,640	11,110

1. Uplift loads have been increased for earthquake or wind loading with no further increase allowed. Reduce where other loads govern.
2. Downloads may not be increased for short-term loading.
3. Designer is to design concrete and anchorage for uplift capacity.
4. Beam depth must be a minimum of 7 1/4".
5. Shims are required for double 2x (1 shim) and triple 2x (2 shims) installations as shown in the illustration. Additional fastening of shim to beam is not required.
6. **Fasteners:** Nail dimensions are listed diameter by length. See pp. 21–22 for fastener information.



ABA/ABU/ABW

Adjustable and Standoff Post Bases (cont.)

These products are available with additional corrosion protection. For more information, see p. 14.

SS For stainless-steel fasteners, see p. 21.

SD Many of these products are approved for installation with Strong-Drive® SD Connector screws. See pp. 348–352 for more information.

Allowable Loads — Post Installation

Model No.	Nominal Post Size	Material (in.)		Dimensions (in.)				Fasteners				Allowable Loads (DF/SP)			Code Ref.
		Base	Strap	W	L	H	HB	Anchor Dia. (in.)	Nails (in.)	Bolts		Uplift		Down (100)	
										Qty.	Dia. (in.)	Nails	Bolts		
ABU44Z	4x4	16	16	3 ³ / ₁₆	3 ³ / ₁₆	3 ¹ / ₁₆	—	1/2	(6) 0.148 x 3	—	—	690	—	5,925	IBC, FL, LA
ABW44Z	4x4	16	16	3 ³ / ₁₆	3 ³ / ₁₆	2 ¹ / ₄	—	1/2	(8) 0.148 x 3	—	—	1,005	—	7,180	
SS ABU44Z	4x4	16	12	3 ³ / ₁₆	3	5 ¹ / ₂	1 ³ / ₄	5/8	(12) 0.162 x 3 ¹ / ₂	2	1/2	1,900	2,300	7,570	
ABA44RZ	Rough 4x4	16	16	4 ¹ / ₁₆	3 ¹ / ₁₆	2 ¹³ / ₁₆	—	1/2	(6) 0.148 x 3	—	—	655	—	7,215	
ABW44RZ	Rough 4x4	16	16	4	4 ¹ / ₁₆	1 ¹⁵ / ₁₆	—	1/2	(8) 0.148 x 3	—	—	835	—	7,180	
ABU44RZ	Rough 4x4	16	12	4 ¹ / ₁₆	3	5 ¹ / ₄	1 ¹ / ₂	5/8	(12) 0.162 x 3 ¹ / ₂	2	1/2	1,900	2,300	7,570	
ABA46Z	4x6	14	14	3 ³ / ₁₆	5 ³ / ₁₆	3 ³ / ₁₆	—	5/8	(8) 0.162 x 3 ¹ / ₂	—	—	870	—	10,500	
ABW46Z	4x6	12	16	3 ³ / ₁₆	5 ³ / ₁₆	3	—	1/2	(10) 0.148 x 3	—	—	845	—	4,590	
SS ABU46Z	4x6	12	12	3 ³ / ₁₆	5	7	2 ⁵ / ₁₆	5/8	(12) 0.162 x 3 ¹ / ₂	2	1/2	2,405	2,265	12,520	
ABA46RZ	Rough 4x6	14	14	4 ¹ / ₁₆	5 ³ / ₁₆	2 ⁷ / ₁₆	—	5/8	(8) 0.162 x 3 ¹ / ₂	—	—	870	—	10,695	
ABW46RZ	Rough 4x6	12	16	4	6	2 ¹³ / ₁₆	—	1/2	(10) 0.148 x 3	—	—	780	—	4,590	
ABU46RZ	Rough 4x6	12	12	4 ¹ / ₁₆	5	6 ³ / ₄	2 ³ / ₁₆	5/8	(12) 0.162 x 3 ¹ / ₂	2	1/2	2,405	2,265	12,520	
ABU5-5Z	5 ¹ / ₂ x 5 ¹ / ₂	12	10	5 ¹ / ₄	5	6 ¹ / ₁₆	1 ³ / ₄	5/8	(12) 0.162 x 3 ¹ / ₂	2	1/2	2,235	2,235	10,570	
ABU5-6Z	5 ¹ / ₂ x 6	12	10	6 ¹ / ₁₆	5	6 ¹ / ₁₆	1 ³ / ₄	5/8	(12) 0.162 x 3 ¹ / ₂	2	1/2	2,235	2,235	10,570	
ABU65Z	5¹/₂ x 5	12	10	5¹/₂	5	6¹/₁₆	1³/₄	5/8	(12) 0.162 x 3¹/₂	—	—	2,475	--	10,360	
ABA66Z	6x6	14	14	5 ¹ / ₂	5 ³ / ₁₆	3 ³ / ₁₆	—	5/8	(8) 0.162 x 3 ¹ / ₂	—	—	850	—	10,245	
ABW66Z	6x6	12	14	5 ¹ / ₂	5 ³ / ₁₆	3	—	1/2	(12) 0.148 x 3	—	—	1,190	—	12,935	
SS ABU66Z	6x6	12	10	5 ¹ / ₂	5	6 ¹ / ₁₆	1 ³ / ₄	5/8	(12) 0.162 x 3 ¹ / ₂	2	1/2	2,475	2,190	18,205	
ABA66RZ	Rough 6x6	14	14	6	5 ³ / ₁₆	2 ⁷ / ₁₆	—	5/8	(8) 0.162 x 3 ¹ / ₂	—	—	850	—	11,500	
ABW66RZ	Rough 6x6	12	14	6	6	2 ¹³ / ₁₆	—	1/2	(12) 0.148 x 3	—	—	1,190	—	12,935	
ABU66RZ	Rough 6x6	12	10	6 ¹ / ₁₆	5	5 ¹³ / ₁₆	1 ¹ / ₂	5/8	(12) 0.162 x 3 ¹ / ₂	2	1/2	2,475	2,190	18,205	
ABW7-7Z	7 ¹ / ₂ x 7 ¹ / ₂	12	14	7 ⁵ / ₁₆	7 ⁵ / ₁₆	3	—	1/2	(12) 0.148 x 3	—	—	840	—	14,530	
SS ABU88Z	8x8	14	12	7 ¹ / ₂	7	7	—	(2) 5/8	(18) 0.162 x 3 ¹ / ₂	—	—	2,570	—	22,405	
ABU88RZ	Rough 8x8	14	12	8	7	7	—	(2) 5/8	(18) 0.162 x 3 ¹ / ₂	—	—	2,450	—	19,870	
ABU1010Z	10x10	14	14	9 ¹ / ₂	9	7 ¹ / ₄	—	(2) 5/8	(22) 0.162 x 3 ¹ / ₂	—	—	2,270	—	32,020	
ABU1010RZ	Rough 10x10	14	14	10	9	7	—	(2) 5/8	(22) 0.162 x 3 ¹ / ₂	—	—	1,830	—	31,650	
ABU1212Z	12x12	12	12	11 ¹ / ₂	11	7 ¹ / ₄	—	(2) 5/8	(22) 0.162 x 3 ¹ / ₂	—	—	3,000	—	34,745	
ABU1212RZ	Rough 12x12	12	12	12	11	7	—	(2) 5/8	(22) 0.162 x 3 ¹ / ₂	—	—	3,000	—	34,745	

- Uplift loads have been increased for earthquake or wind loading with no further increase allowed. Reduce where other loads govern.
- Downloads may not be increased for short-term loading.
- Specifier is to design concrete and anchorage for uplift loads.
- ABU products may be installed with either bolts or nails (not both) to achieve table loads. ABU88Z, ABU88RZ, ABU1010Z, ABU1010RZ, and ABU1212Z/RZ may be installed with eight 3/4" x 3" Strong-Drive SDS Heavy-Duty Connector screws (sold separately) for the same table load.
- For higher downloads, pack grout solid under 1" standoff plate before installation. Base download on column or concrete, according to the code.
- HB dimension is the distance from the bottom of the post up to the first bolt hole.
- Structural composite lumber columns have sides that show either the wide face or the edges of the lumber strands/veneers. For SCL columns, the fasteners for these products should always be installed in the wide face. See technical bulletin T-C-SCLCLM at strong-tie.com for more information.
- Downloads shall be reduced where limited by allowable loads of the post.
- Fasteners:** Nail dimensions are listed diameter by length. See pp. 21–22 for fastener information.