

## HU/HUC/HSUR/L

## Hangers

HU/HUC hangers may be installed on a masonry/concrete wall as described below. Additionally, HU hangers with one flange concealed may be installed similarly.

HU and HUC products are heavy-duty face-mount joist hangers made from 14-gauge galvanized steel.

- The HUC is a concealed flange (face flanges turned in) version of the HU.
- HU is available with both flanges concealed, provided the W dimension is  $2\frac{5}{16}$ " or greater, at 100% of the table load. Specify HUC.
- HU is available with one flange concealed when the W dimension is less than  $2\frac{5}{16}$ " at 100% of the table load. Specify as an 'X' version and specify flange to conceal.
- For any HU or HUC shown in this catalog, the user may substitute all face nails with  $\frac{1}{4}$ " x  $1\frac{3}{4}$ " Titen® 2 screws (Model TTN2-25134H). Follow all installation instructions and use the loads from this catalog.

**Material:** 14 gauge

**Finish:** Galvanized; ZMAX® and stainless steel available

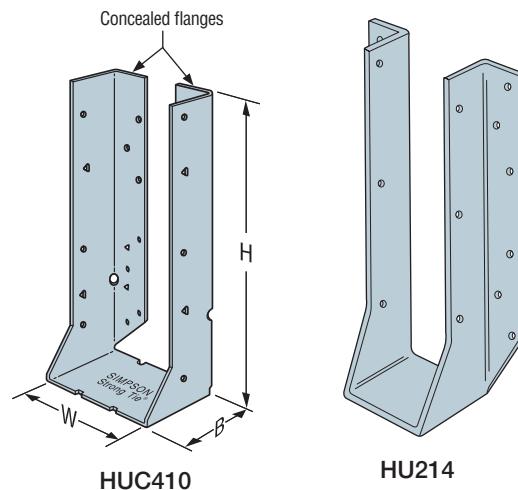
**Installation:**

- Attach the hangers to concrete or GFCMU walls using hex-head Titen® 2 screws. Titen screws for GFCMU ( $\frac{1}{4}$ " x  $2\frac{3}{4}$ " – Model TTN2-25234H) and for concrete ( $\frac{1}{4}$ " x  $1\frac{3}{4}$ " – Model TTN2-25134H) are not provided with the hangers.
- Drill the  $\frac{3}{16}$ "-diameter hole to the specified embedment depth plus  $\frac{1}{2}$ ".
- Alternatively, drill the  $\frac{3}{16}$ "-diameter hole to the specified embedment depth and blow it clean using compressed air.
- Caution: Oversized-diameter holes in the base material will reduce or eliminate the mechanical interlock of the threads with the base material and will reduce the anchor's load capacity.
- Titen Installation Tool Kits are available. They include a  $\frac{3}{16}$ " drill bit and hex-head driver bit (Model TTNT01-RC); a  $\frac{3}{16}$ " x  $4\frac{1}{2}$ " drill bit is also available (Model MDB18412).
- A minimum end and edge distance of  $1\frac{1}{2}$ " is required.

**Options:**

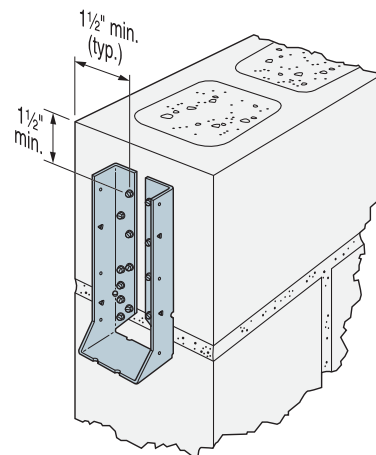
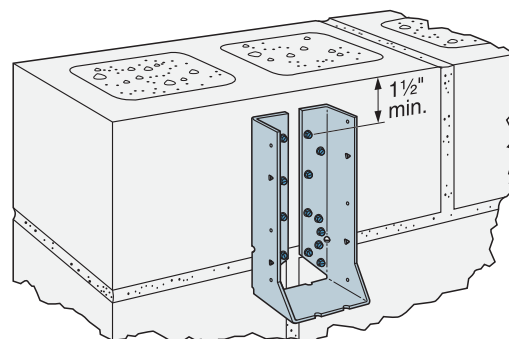
- For skewed hangers use 75% of table uplift load. If hanger width is greater than  $3\frac{3}{16}$ ", then use 80% of table download; otherwise use 100% of table download.

**Codes:** See p. 14 for Code Reference Key Chart



HUC410

HU214

HUC410 Installed on  
Masonry Block End WallHUC410 Installed on  
Masonry Block End Wall

# HU/HUC/HSUR/L

## Hangers (cont.)

These products are available with additional corrosion protection. For more information, see p. 18.

Model No.		Fasteners			Allowable Loads (DF/SP)				Code Ref.	
Standard	Concealed	GFCMU Titen® 2	Concrete Titen® 2	Joist	GFCMU		Concrete			
					Uplift (160)	Down (100/125)	Uplift (160)	Down (100/125)		
■	HU26	HU26X	(4) ¼" x 1 ¾"	(4) ¼" x 1 ¾"	(2) 10d x 1 ½"	335	1,000	335	1,545	170
■	HU28	HU28X	(6) ¼" x 1 ¾"	(6) ¼" x 1 ¾"	(4) 10d x 1 ½"	760	1,500	760	2,400	
■	HU210	HU210X	(8) ¼" x 1 ¾"	(8) ¼" x 1 ¾"	(4) 10d x 1 ½"	760	2,000	760	2,415	
■	HU46 (Min.)	HUC46	(8) ¼" x 1 ¾"	(8) ¼" x 1 ¾"	(4) 10d common	760	2,000	760	3,200	
■	HU46 (Max.)	HUC46	(12) ¼" x 1 ¾"	(12) ¼" x 1 ¾"	(6) 10d common	1,135	3,000	1,135	3,950	
■	HU26-2 (Min.)	HUC26-2	(8) ¼" x 1 ¾"	(8) ¼" x 1 ¾"	(4) 10d common	760	2,000	760	3,200	
■	HU26-2 (Max.)	HUC26-2	(12) ¼" x 1 ¾"	(12) ¼" x 1 ¾"	(6) 10d common	1,135	3,000	1,135	3,950	
■	HU48 (Min.)	HUC48	(10) ¼" x 1 ¾"	(10) ¼" x 1 ¾"	(4) 10d common	760	2,500	760	3,725	
■	HU48 (Max.)	HUC48	(14) ¼" x 1 ¾"	(14) ¼" x 1 ¾"	(6) 10d common	1,135	3,500	1,135	4,920	
■	HU28-2 (Min.)	HUC28-2	(10) ¼" x 1 ¾"	(10) ¼" x 1 ¾"	(4) 10d common	760	2,500	760	3,725	
■	HU28-2 (Max.)	HUC28-2	(14) ¼" x 1 ¾"	(14) ¼" x 1 ¾"	(6) 10d common	1,135	3,500	1,135	4,920	
■	HU410 (Min.)	HUC410	(14) ¼" x 1 ¾"	(14) ¼" x 1 ¾"	(6) 10d common	1,135	3,500	1,135	4,920	
■	HU410 (Max.)	HUC410	(18) ¼" x 1 ¾"	(18) ¼" x 1 ¾"	(10) 10d common	1,800	4,500	1,800	4,920	
■	HU210-2 (Min.)	HUC210-2	(14) ¼" x 1 ¾"	(14) ¼" x 1 ¾"	(6) 10d common	1,135	3,500	1,135	4,920	
■	HU210-2 (Max.)	HUC210-2	(18) ¼" x 1 ¾"	(18) ¼" x 1 ¾"	(10) 10d common	1,800	4,500	1,800	5,085	
■	HU28X Skew 45°	(Not available)	(6) ¼" x 1 ¾"	(6) ¼" x 1 ¾"	(4) 10d x 1 ½"	670	1,500	670	2,400	
■	HSUL/R26-2	HSUL/RC26-2	(12) ¼" x 1 ¾"	(12) ¼" x 1 ¾"	(4) 16d x 2 ½"	900	3,000	900	3,135	
■	HU24-2	HUC24-2	(4) ¼" x 2 ¾"	(4) ¼" x 1 ¾"	(2) 10d common	380	1,000	380	1,545	
■	HU212	HU212X	(10) ¼" x 2 ¾"	(10) ¼" x 1 ¾"	(6) 10d x 1 ½"	1,135	2,500	1,135	2,665	
■	HU214	HU214X	(12) ¼" x 2 ¾"	(12) ¼" x 1 ¾"	(6) 10d x 1 ½"	1,135	2,665	1,135	2,665	
■	HU26-2 (Min.)	HUC26-2 (Min.)	(8) ¼" x 2 ¾"	(8) ¼" x 1 ¾"	(4) 10d common	760	2,000	760	3,200	
■	HU26-2 (Max.)	HUC26-2 (Max.)	(12) ¼" x 2 ¾"	(12) ¼" x 1 ¾"	(6) 10d common	1,135	3,000	1,135	3,950	
■	HU26-3 (Min.)	HUC26-3 (Min.)	(8) ¼" x 2 ¾"	(8) ¼" x 1 ¾"	(4) 10d common	760	2,000	760	3,200	
■	HU26-3 (Max.)	HUC26-3 (Max.)	(12) ¼" x 2 ¾"	(12) ¼" x 1 ¾"	(6) 10d common	1,135	3,000	1,135	3,950	
■	HU28-2 (Min.)	HUC28-2 (Min.)	(10) ¼" x 2 ¾"	(10) ¼" x 1 ¾"	(4) 10d common	760	2,500	760	3,725	
■	HU28-2 (Max.)	HUC28-2 (Max.)	(14) ¼" x 2 ¾"	(14) ¼" x 1 ¾"	(6) 10d common	1,135	3,500	1,135	4,920	
■	HU210-2 (Min.)	HUC210-2 (Min.)	(14) ¼" x 2 ¾"	(14) ¼" x 1 ¾"	(6) 10d common	1,135	3,500	1,135	4,920	
■	HU210-2 (Max.)	HUC210-2 (Max.)	(18) ¼" x 2 ¾"	(18) ¼" x 1 ¾"	(10) 10d common	1,800	4,500	1,800	5,085	
■	HU210-3 (Min.)	HUC210-3 (Min.)	(14) ¼" x 2 ¾"	(14) ¼" x 1 ¾"	(6) 10d common	1,135	3,500	1,135	4,920	
■	HU210-3 (Max.)	HUC210-3 (Max.)	(18) ¼" x 2 ¾"	(18) ¼" x 1 ¾"	(10) 10d common	1,800	4,500	1,800	5,085	
■	HU212-2 (Min.)	HUC212-2 (Min.)	(16) ¼" x 2 ¾"	(16) ¼" x 1 ¾"	(6) 10d common	1,135	4,000	1,135	4,920	
■	HU212-2 (Max.)	HUC212-2 (Max.)	(22) ¼" x 2 ¾"	(22) ¼" x 1 ¾"	(10) 10d common	1,350	5,085	1,350	5,085	
■	HU212-3 (Min.)	HUC212-3 (Min.)	(16) ¼" x 2 ¾"	(16) ¼" x 1 ¾"	(6) 10d common	1,135	4,000	1,135	4,920	
■	HU212-3 (Max.)	HUC212-3 (Max.)	(22) ¼" x 2 ¾"	(22) ¼" x 1 ¾"	(10) 10d common	1,800	5,085	1,800	5,085	
■	HU214-2 (Min.)	HUC214-2 (Min.)	(18) ¼" x 2 ¾"	(18) ¼" x 1 ¾"	(8) 10d common	1,515	4,500	1,515	5,085	
■	HU214-2 (Max.)	HUC214-2 (Max.)	(24) ¼" x 2 ¾"	(24) ¼" x 1 ¾"	(12) 10d common	2,015	5,085	2,015	5,085	
■	HU214-3 (Min.)	HUC214-3 (Min.)	(18) ¼" x 2 ¾"	(18) ¼" x 1 ¾"	(8) 10d common	1,515	4,500	1,515	5,085	
■	HU214-3 (Max.)	HUC214-3 (Max.)	(24) ¼" x 2 ¾"	(24) ¼" x 1 ¾"	(12) 10d common	2,015	5,085	2,015	5,085	
■	HU216	HU216X	(18) ¼" x 2 ¾"	(18) ¼" x 1 ¾"	(8) 10d x 1 ½"	1,515	2,920	1,515	2,920	
■	HU216-2 (Min.)	HUC216-2 (Min.)	(20) ¼" x 2 ¾"	(20) ¼" x 1 ¾"	(8) 10d common	1,515	4,920	1,515	4,920	
■	HU216-2 (Max.)	HUC216-2 (Max.)	(26) ¼" x 2 ¾"	(26) ¼" x 1 ¾"	(12) 10d common	2,015	5,085	2,015	5,085	
■	HU216-3 (Min.)	HUC216-3 (Min.)	(20) ¼" x 2 ¾"	(20) ¼" x 1 ¾"	(8) 10d common	1,515	4,920	1,515	4,920	
■	HU216-3 (Max.)	HUC216-3 (Max.)	(26) ¼" x 2 ¾"	(26) ¼" x 1 ¾"	(12) 10d common	2,015	5,085	2,015	5,085	

1. Uplift loads have been increased for earthquake or wind duration with no further increase is allowed; **reduce when other loads govern.**

2. Minimum f<sub>c</sub> = 2,500 psi and minimum f<sub>m</sub> = 1,500 psi.

3. When only one flange is concealed specify right or left concealed flange.

4. Models with "X" are not stock items.

5. Products shall be installed such that Titen® screws are not exposed to weather.

**Fasteners:** 16d common = 0.162" dia. x 3 ½" long; 16d x 2 ½" = 0.162" dia. x 2 ½" long; 10d common = 0.148" dia. x 3" long; 10d x 1 ½" = 0.148" dia. x 1 ½" long. TTN2-25134H = ¼" x 1 ¾" Titen 2; TTN2-25234H = ¼" x 2 ¾" Titen 2; TTN25134H = Titen ¼" x 1 ¾" and TTN25234H = Titen ¼" x 2 ¾" may also be used at full table loads. See pp. 26–27 for other nail sizes and information.

## HU/HUC/HSUR/L

## Hangers (cont.)

These products are available with additional corrosion protection. For more information, see p. 18.

Model No.		Fasteners			Allowable Loads (DF/SP)				Code Ref.
Standard	Concealed	GFCMU Titen® 2	Concrete Titen® 2	Joist	GFCMU		Concrete		
					Uplift (160)	Down (100/125)	Uplift (160)	Down (100/125)	
HU44	HUC44	(4) ¼" x 2¾"	(4) ¼" x 1¾"	(2) 10d common	380	1,000	380	1,545	170
HU46 (Min.)	HUC46 (Min.)	(8) ¼" x 2¾"	(8) ¼" x 1¾"	(4) 10d common	760	2,000	760	3,200	
HU46 (Max.)	HUC46 (Max.)	(12) ¼" x 2¾"	(12) ¼" x 1¾"	(6) 10d common	1,135	3,000	1,135	3,950	
HU48 (Min.)	HUC48 (Min.)	(10) ¼" x 2¾"	(10) ¼" x 1¾"	(4) 10d common	760	2,500	760	3,725	
HU48 (Max.)	HUC48 (Max.)	(14) ¼" x 2¾"	(14) ¼" x 1¾"	(6) 10d common	1,135	3,500	1,135	4,920	
HU410 (Min.)	HUC410 (Min.)	(14) ¼" x 2¾"	(14) ¼" x 1¾"	(6) 10d common	1,135	3,500	1,135	4,920	
HU410 (Max.)	HUC410 (Max.)	(18) ¼" x 2¾"	(18) ¼" x 1¾"	(10) 10d common	1,800	4,500	1,800	4,920	
HU412 (Min.)	HUC412 (Min.)	(16) ¼" x 2¾"	(16) ¼" x 1¾"	(6) 10d common	1,135	4,000	1,135	4,920	
HU412 (Max.)	HUC412 (Max.)	(22) ¼" x 2¾"	(22) ¼" x 1¾"	(10) 10d common	1,800	5,085	1,800	5,085	
HU414 (Min.)	HUC414 (Min.)	(18) ¼" x 2¾"	(18) ¼" x 1¾"	(8) 10d common	1,515	4,500	1,515	5,085	
HU414 (Max.)	HUC414 (Max.)	(24) ¼" x 2¾"	(24) ¼" x 1¾"	(12) 10d common	2,015	5,085	2,015	5,085	
HU416 (Min.)	HUC416 (Min.)	(20) ¼" x 2¾"	(20) ¼" x 1¾"	(8) 10d common	1,515	4,920	1,515	4,920	
HU416 (Max.)	HUC416 (Max.)	(26) ¼" x 2¾"	(26) ¼" x 1¾"	(12) 10d common	2,015	5,085	2,015	5,085	
HU66 (Min.)	HUC66 (Min.)	(8) ¼" x 2¾"	(8) ¼" x 1¾"	(4) 16d common	900	2,000	900	3,200	
HU66 (Max.)	HUC66 (Max.)	(12) ¼" x 2¾"	(12) ¼" x 1¾"	(6) 16d common	1,345	3,000	1,345	3,950	
HU68 (Min.)	HUC68 (Min.)	(10) ¼" x 2¾"	(10) ¼" x 1¾"	(4) 16d common	900	2,500	900	3,725	
HU68 (Max.)	HUC68 (Max.)	(14) ¼" x 2¾"	(14) ¼" x 1¾"	(6) 16d common	1,345	3,500	1,345	4,920	
HU610 (Min.)	HUC610 (Min.)	(14) ¼" x 2¾"	(14) ¼" x 1¾"	(6) 16d common	1,345	3,500	1,345	4,920	
HU610 (Max.)	HUC610 (Max.)	(18) ¼" x 2¾"	(18) ¼" x 1¾"	(8) 16d common	1,795	4,500	1,795	5,085	
HU612 (Min.)	HUC612 (Min.)	(16) ¼" x 2¾"	(16) ¼" x 1¾"	(6) 16d common	1,345	4,000	1,345	4,920	
HU612 (Max.)	HUC612 (Max.)	(22) ¼" x 2¾"	(22) ¼" x 1¾"	(8) 16d common	1,795	4,920	1,795	4,920	
HU614 (Min.)	HUC614 (Min.)	(18) ¼" x 2¾"	(18) ¼" x 1¾"	(8) 16d common	1,795	4,500	1,795	5,085	
HU614 (Max.)	HUC614 (Max.)	(24) ¼" x 2¾"	(24) ¼" x 1¾"	(12) 16d common	2,015	5,085	2,015	5,085	
HU616 (Min.)	HUC616 (Min.)	(20) ¼" x 2¾"	(20) ¼" x 1¾"	(8) 16d common	1,795	4,920	1,795	4,920	
HU616 (Max.)	HUC616 (Max.)	(26) ¼" x 2¾"	(26) ¼" x 1¾"	(12) 16d common	2,015	5,085	2,015	5,085	
HU7 (Min.)	(Not available)	(12) ¼" x 1¾"	(12) ¼" x 1¾"	(4) 10d x 1½"	760	2,980	760	2,980	
HU7 (Max.)	(Not available)	(16) ¼" x 1¾"	(16) ¼" x 1¾"	(8) 10d x 1½"	1,085	3,485	1,085	3,485	
HU9 (Min.)	(Not available)	(18) ¼" x 1¾"	(18) ¼" x 1¾"	(6) 10d x 1½"	1,135	3,230	1,135	3,230	
HU9 (Max.)	(Not available)	(24) ¼" x 1¾"	(24) ¼" x 1¾"	(10) 10d x 1½"	1,445	3,735	1,445	3,735	
HU11 (Min.)	(Not available)	(22) ¼" x 1¾"	(22) ¼" x 1¾"	(6) 10d x 1½"	1,135	3,230	1,135	3,230	
HU11 (Max.)	(Not available)	(30) ¼" x 1¾"	(30) ¼" x 1¾"	(10) 10d x 1½"	1,445	3,735	1,445	3,735	
HU14 (Min.)	(Not available)	(28) ¼" x 1¾"	(28) ¼" x 1¾"	(8) 10d x 1½"	1,515	3,485	1,515	3,485	
HU14 (Max.)	(Not available)	(36) ¼" x 1¾"	(36) ¼" x 1¾"	(14) 10d x 1½"	2,015	4,245	2,015	4,245	
HU3.25/10	(Not available)	(22) ¼" x 1¾"	(22) ¼" x 1¾"	(10) 10d common	1,895	5,085	1,895	5,085	
HU3.25/12	(Not available)	(24) ¼" x 1¾"	(24) ¼" x 1¾"	(12) 10d common	2,015	5,085	2,015	5,085	
HU410-2 (Min.)	HUC410-2 (Min.)	(14) ¼" x 1¾"	(14) ¼" x 1¾"	(6) 16d common	1,345	3,500	1,345	4,920	
HU410-2 (Max.)	HUC410-2 (Max.)	(18) ¼" x 1¾"	(18) ¼" x 1¾"	(8) 16d common	1,795	4,500	1,795	5,085	
HU412-2 (Min.)	HUC412-2 (Min.)	(16) ¼" x 1¾"	(16) ¼" x 1¾"	(6) 16d common	1,345	4,000	1,345	4,920	
HU412-2 (Max.)	HUC412-2 (Max.)	(22) ¼" x 1¾"	(22) ¼" x 1¾"	(10) 16d common	1,800	4,920	1,800	4,920	
HU414-2 (Min.)	HUC414-2 (Min.)	(20) ¼" x 1¾"	(20) ¼" x 1¾"	(8) 16d common	1,795	4,920	1,795	4,920	
HU414-2 (Max.)	HUC414-2 (Max.)	(26) ¼" x 1¾"	(26) ¼" x 1¾"	(12) 16d common	2,015	5,085	2,015	5,085	

1. Uplift loads have been increased for earthquake or wind duration with no further increase is allowed; **reduce when other loads govern.**

2. Minimum  $f'_c = 2,500$  psi and minimum  $f_m = 1,500$  psi.

3. When only one flange is concealed specify right or left concealed flange.

4. Models with "X" are not stock items.

5. Products shall be installed such that Titen® screws are not exposed to weather.

**Fasteners:** 16d common = 0.162" dia. x 3½" long; 16d x 2½" = 0.162" dia. x 2½" long; 10d common = 0.148" dia. x 3" long;

10d x 1½" = 0.148" dia. x 1½" long. TTN2-25134H = ¼" x 1¾" Titen 2; TTN2-25234H = ¼" x 2¾" Titen 2; TTN25134H = Titen ¼" x 1¾" and TTN25234H = Titen ¼" x 2¾" may also be used at full table loads. See pp. 26–27 for other nail sizes and information.