

MGT/HGT

Girder Tiedowns

The MGT and HGT series are girder tie downs for moderate to high load applications that are typically installed prior to roof sheathing. The MGT wraps over the heel and is anchored on one side of the truss. The HGT straddles the heel and anchors on both sides of the truss. The HGT is field adjustable, making it suitable for trusses with top chord slopes up to 8/12. The HGT is available in sizes for 2-, 3- and 4-ply widths.

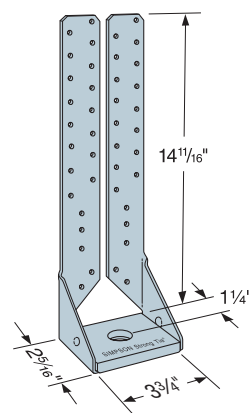
Material: MGT — 12 gauge; HGT — 7 gauge

Finish: MGT — Galvanized; HGT — Simpson Strong-Tie® gray paint

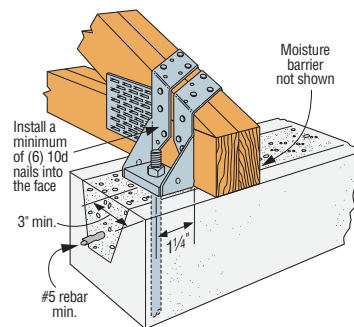
Installation:

- Use all specified fasteners; see General Notes
- When the HGT-3 is used with a 2-ply girder or beam, shimming is required and must be fastened to act as one unit
- Attach to grouted concrete block with a minimum one #5 rebar horizontal in the top lintel block
- **MGT — Install a minimum of (6) 10d nails into the face of roof member that is on same side as MGT base**
- See pp. 328–329 for wood applications

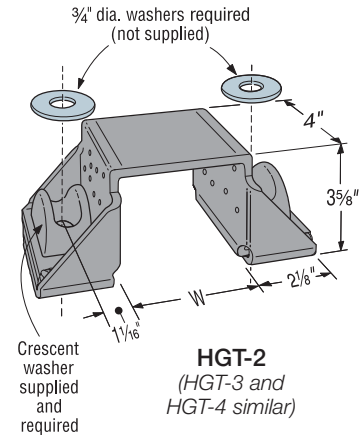
Codes: See p. 14 for Code Reference Key Chart



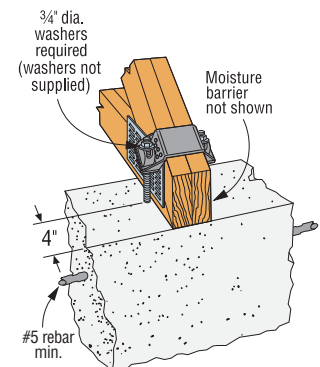
MGT



Typical MGT Installation



HGT-2
(HGT-3 and HGT-4 similar)



Typical HGT-2 Installation into Concrete

Model No.	W (in.)	O.C. Dimension Between Anchors (in.)	Fasteners		DF/SP Allowable Uplift Loads (160)	SPF/HF Allowable Uplift Loads (160)	Code Ref.
			Concrete and GFCMU	Girder			
MGT	3 3/4	—	(1) 5/8	(22) 10d	3,965	3,330	FL
HGT-2	3 5/8	5 3/4	(2) 3/4	(16) 10d	10,980	8,910	I20, FL, I17, L10, L16
HGT-3	4 15/16	7 3/8	(2) 3/4	(16) 10d	10,530	9,490	
HGT-4	6 1/8	9	(2) 3/4	(16) 10d	9,250	9,250	

1. Attached members must be designed to resist applied loads.
2. Minimum $f_m = 1,500$ psi and $f_c = 2,500$ psi.
3. To achieve the loads listed for the MGT and HGT, anchorage into a 8" wide concrete tie-beam or grouted and reinforced CMU tie-beam can be made using Simpson Strong-Tie® SET-XP® anchoring adhesive with a minimum embedment depth of 12". Vertical reinforcement may be required to transfer the loads per Designer.
4. Allowable loads have been increased for wind or earthquake loading with no further increase allowed; reduce where other loads govern.
5. The MGT can be installed with straps vertical for full table load provided all specified nails are installed to either a solid header or minimum double 2x6 web.
6. **Nails:** 10d = 0.148" dia. x 3" long. See pp. 26–27 for other nail sizes and information.