

Outdoor Accents®

Outdoor Accents® Fasteners

Outdoor Accents® Connector Screw

The Outdoor Accents® Connector Screw reduces installation time by driving easily without predrilling. Designed for installation with the Outdoor Accents® APA21 90-degree angle, the screw's black finish accents any outdoor living project. The sharp point of the screw enables fast starts, and the patented serrated threads reduce torque for improved drivability.

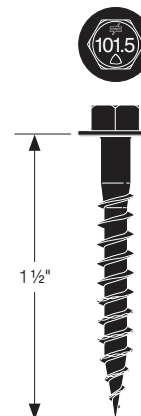
Features:

- Use with Outdoor Accents® Decorative Hardware (sold separately) for an appealing look
- ¼" hex head reduces cam-out for easier installation and helps avoid stripping of the head during installation (¼" hex drive included)
- Optimized heat treating for ductility and strength
- The single-fastener steel-side-plate allowable load of the SD10 exceeds the shear load of a 16d common nail

Material: Heat-treated carbon steel

Finish: Double-barrier black proprietary coating

Code Ref.: I24. See p. 14 for Code Reference Key Chart



SD10112DBB

Outdoor Accents® Hex-Head Washer

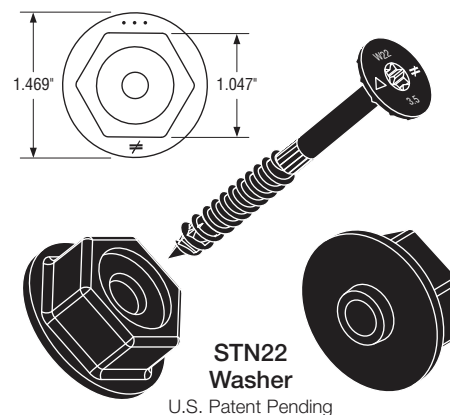
The Outdoor Accents® Hex-Head Washer provides the decorative appearance of a bolted connection. Its patent-pending design provides an easier and significantly faster installation time compared to through-bolting. The patent-pending Hex-Head Washer is code listed (IAPMO-UES ER-192) and is designed exclusively to help fasten Outdoor Accents post bases, T and L straps and angles.

Features:

- Combined with the Outdoor Accents® structural wood screw, it provides a structural load-rated solution
- Easy to install

Finish: Quik Guard® black coating for exterior use with a black powder-coat finish

Code Ref.: IP4. See p. 14 for Code Reference Key Chart



STN22
Washer

U.S. Patent Pending

Outdoor Accents® Structural Wood Screw

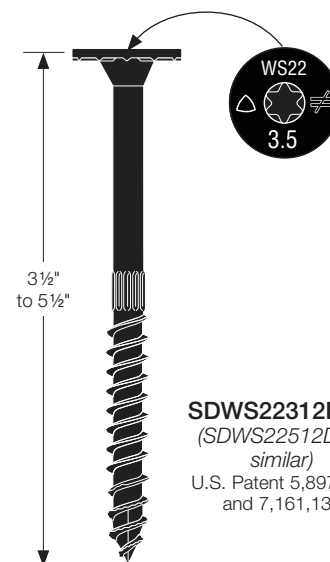
The Outdoor Accents® structural wood screw reduces installation time by driving easily without predrilling. When combined with the patent-pending, load-rated Outdoor Accents Hex-Head Washer, the solution delivers the decorative appearance of a bolt connection but with a much easier installation. The structural screw and washer are sold separately from each other and from the Outdoor Accents connectors.

Features:

- Use with Outdoor Accents® Decorative Hardware and hex-head washer (sold separately) for an appealing look
- Use Outdoor Accents® Structural Wood Screw solitarily as a wood-to-wood fastener
- Patented 4CUT™ point ensures fast starts, reduces installation torque and eliminates the need for predrilling in most applications
- Underhead nibs offer greater control when seating the head

Finish: Double-barrier black proprietary coating

Code Ref.: IP4. See p. 14 for Code Reference Key Chart



SDWS22312DBB
(SDWS22512DBB
similar)

U.S. Patent 5,897,280
and 7,161,133