

W/WP/WMU

Plated Truss Top-Flange Hangers

The W and WP hangers offer design flexibility and versatility supporting trusses off of wood or steel. WMU hangers are designed for use on standard 8" grouted masonry block wall construction.

Material: W, WMU — 12 gauge top flange and stirrup, WP — 7 gauge top flange and 12 gauge stirrup

Finish: Simpson Strong-Tie® gray paint; hot-dip galvanized available: specify HDG.

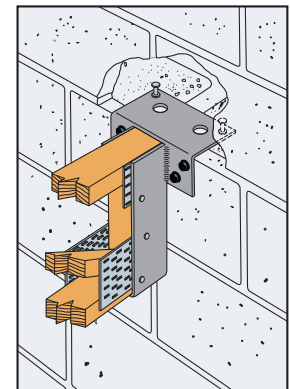
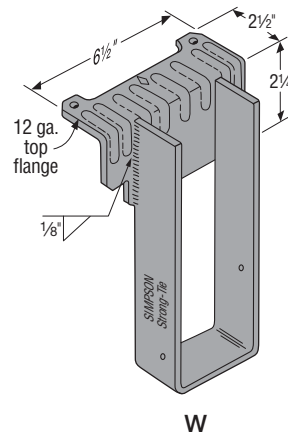
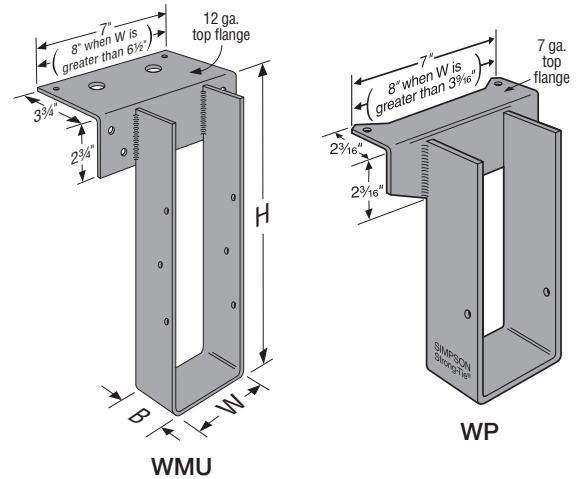
Installation:

- Use all specified fasteners.
- Hangers may be welded to steel headers with 1/8" for W, and 3/16" for WP, by 1 1/2" fillet welds located at each end of the top flange. Weld-on applications produce maximum allowable load listed. Uplift loads do not apply to this application.
- Hangers can support multi-ply carried members; the individual members must be secured together to work as a single unit before installation into the hanger.
- **WMU Mid-Wall Installation:** Installed between blocks with duplex nails cast into grout with a minimum of one grouted course above and below the top flange and one #5 vertical rebar minimum 24" long in each adjacent cell.
- **WMU Top-of-Wall Installation:** Install on top of wall to a grouted beam with masonry screws.
- **WMU — Minimum $f_m = 1,500$ psi. See pp. 276–277.**

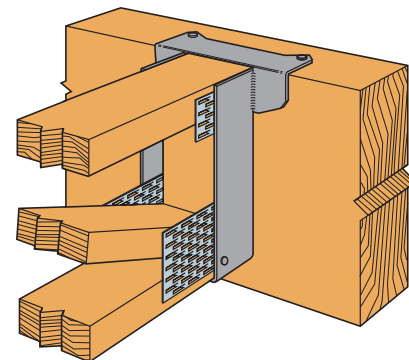
Options:

- For skewed trusses, see p. 153, Type B Hanger illustration.
- For 4x2 trusses, specify "alternate nail pattern" (ANP) which relocates the nails to the top and bottom cords. See Hanger Options, pp.122–123 for hanger modifications.

Codes: See p. 14 for Code Reference Key Chart



WMU Mid-Wall Installation



Typical WP Installation with Alternate Nailing Pattern (ANP) for 4x2 Truss

Nailer Table

The table indicates the maximum allowable loads for W and WP hangers used on wood nailers. Nailers are wood members attached to the top of a steel I-beam, concrete or masonry wall.

Model	Nailer	Top-Flange Nailing	Allowable Loads		
			DF/SP	SPF/HF	LSL
W	2x	(2) 10d x 1 1/2"	1,600	1,600	—
	(2) 2x	(2) 10d	1,665	1,665	—
	3x	(2) 16d x 2 1/2"	1,765	1,740	—
	4x	(2) 10d	2,200	2,200	—
WP	2x	(2) 10d x 1 1/2"	2,525	2,500	3,375
	(2) 2x	(2) 10d	3,255	3,255	—
	3x	(2) 16d x 2 1/2"	3,000	2,510	3,375
	4x	(2) 10d	3,255	3,255	—

W/WP/WMU

Plated Truss Top-Flange Hangers (cont.)

These products are available with additional corrosion protection. For more information, see p. 18.

W Series with Various Headers

Model	Joist		Fasteners			Allowable Loads Header Type								Code Ref.
	Width ⁴	Depth	Top	Face	Joist	Uplift (160)	LVL	PSL	LSL	DF/SP	SPF/HF	I-Joist	Masonry	
W	1½ to 3½	3½ to 30	(2) 10d x 1½"	—	(2) 10d x 1½"	—	1,635	1,740	—	1,600	1,415	—	—	I10, L11, FL
	1½ to 3½	3½ to 30	(2) 10d	—	(2) 10d x 1½"	—	2,150	2,020	—	2,200	1,435	—	—	
	1½ to 3½	3½ to 30	(2) 16d	—	(2) 10d x 1½"	—	2,335	1,950	2,335	1,765	1,435	—	—	
WP	1½ to 7	3½ to 30	(2) 10d x 1½"	—	(2) 10d x 1½"	—	2,865	3,250	—	2,500	2,000	2,030	—	170
	1½ to 7	3½ to 30	(2) 10d	—	(2) 10d x 1½"	—	2,525	3,250	3,650	3,255	2,600	—	—	I19, L14, FL
	1½ to 7	3½ to 30	(2) 16d	—	(2) 10d x 1½"	—	3,635	3,320	3,650	3,255	2,600	—	—	

- Uplift loads have been increased for wind or earthquake loading with no further increase allowed; reduce where other loads govern.
- WM hangers are limited based on joist bearing capacity for the specific wood species, up to the maximum test value of 4,175 lbs. All headers are grouted masonry block.
- Joist dimensions do not include truss plate thickness.
- Nails:** 16d and 16d DPLX = 0.162" dia. x 3½" long, 10d = 0.148" dia. x 3" long, 10d x 1½" = 0.148" dia. x 1½" long. See pp. 26–27 for other nail sizes and information.

Model No.	Ga.	Dimensions (in.)				Fasteners		DF/SP Allowable Loads				SPF/HF Allowable Loads			
		W	Min. H	B	TF	Carrying Member	Carried Member	Floor (100)	Snow (115)	Roof (125)	Wind (160)	Floor (100)	Snow (115)	Roof (125)	Wind (160)
W1.62x	12	1⅝	4	2½	2½	(2) 10d	(2) 10d x 1½"	2,200	2,200	2,200	2,200	1,435	1,435	1,435	1,435
WP3.31x	12	3⅝	4	2½	2⅝	(2) 10d	(2) 10d	3,255	3,255	3,255	3,255	2,600	2,600	2,600	2,600
W3.62x	12	3⅝	4	2½	2½	(2) 10d	(2) 10d	2,200	2,200	2,200	2,200	1,435	1,435	1,435	1,435
WP3.62x	12	3⅝	4	2½	2⅝	(2) 10d	(2) 10d	3,255	3,255	3,255	3,255	2,600	2,600	2,600	2,600
WP7.25x	12	7¼	4	2½	2⅝	(2) 10d	(2) 10d	3,255	3,255	3,255	3,255	2,600	2,600	2,600	2,600

- Wind (160) is a download rating.
- "Min. H" is the minimum H dimension that may be ordered and desired H dimension should be specified. For hanger heights exceeding the joist height, the allowable load is 0.50 of the table load.
- Nails:** 16d DPLX = 0.162" dia. x 3½" long, 10d = 0.148" dia. x 3" long, 10d x 1½" = 0.148" dia. x 1½" long. See pp. 26–27 for other nail sizes and information.