

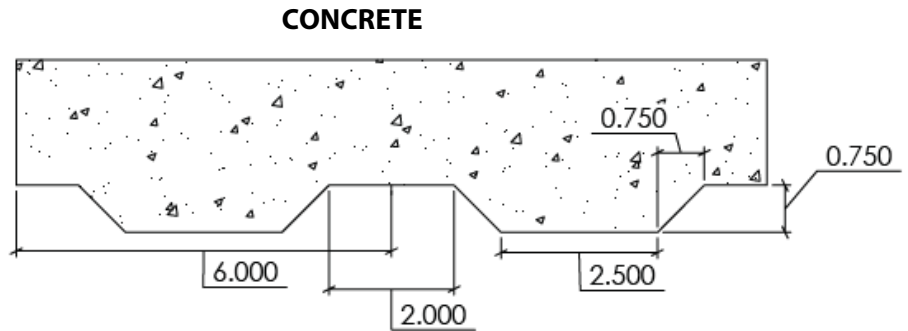
**Spec Formliners, Inc.**

Impressive on Concrete

Pattern Number: **1707**

# Lincoln Flute

3/4" (19mm) deep smooth rib  
6" (152mm) pattern repeat



**Note: Requires backing**

Visit [www.specformliners.com](http://www.specformliners.com) for application guides and technical information

**ThermoSpec™**  
SINGLE OR MULTI-USE PLASTIC

| Property                                     | HIPS      | ABS       |
|--|-----------|-----------|
| Tensile D638                                 | 3700      | 5300      |
| IFlexural D7905                              | -         | 9300      |
| Hardness D786                                | -         | 105       |
| <b>Material Weights - lbs/ft<sup>2</sup></b> |           |           |
| 0.070 MIL                                    | 0.110 MIL | 0.150 MIL |
| 0.393  | 0.621     | 0.843     |
| <b>Thicknesses Available</b>                 |           |           |
| 0.070, 0.090, 0.110, 0.145, 0.155, 0.180     |           |           |

**ElastoSpec Lite™** Semi-Elastomeric  
MULTI-USE MATERIAL

| Property                                     | ASTM  | Rating   |
|--|-------|----------|
| Shore A/D                                    | D2240 | 40D/90A  |
| Tensile                                      | D412  | 1900 psi |
| Elongation                                   | D412  | 300%     |
| Tear Strength                                | D2370 | 23 MPa   |
| <b>Material Weights - lbs/ft<sup>2</sup></b> |       |          |
| Varies by Pattern                            |       |          |
| <b>Maximum Thickness</b>                     |       |          |
| 1/4" + Relief                                |       |          |

**ElastoSpec™** 100% Solid Urethane  
BONDED TO 3/4" PLYWOOD

| Property                                     | ASTM  | Rating   |
|--|-------|----------|
| Shore A                                      | D2240 | 55-65    |
| Tensile                                      | D412  | 1400 psi |
| Elongation                                   | D638  | 600%     |
| Tear Strength                                | D624  | 200 pli  |
| <b>Material Weights - lbs/ft<sup>2</sup></b> |       |          |
| Varies by Pattern                            |       |          |
| <b>Maximum Thickness</b>                     |       |          |
| 1-1/8" + Relief                              |       |          |

Call for ThermoSpec™ Standard Panel Sizes on this pattern. Custom Sizes and Art Panels available

ElastoSpec™ Customized Panel Sizes and Art Panels