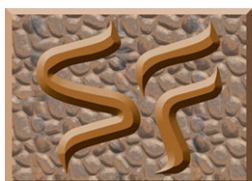


**5537**

Pattern Number:

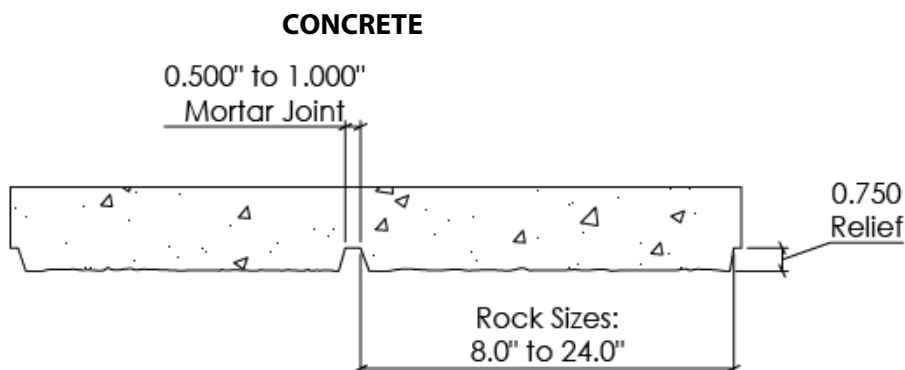
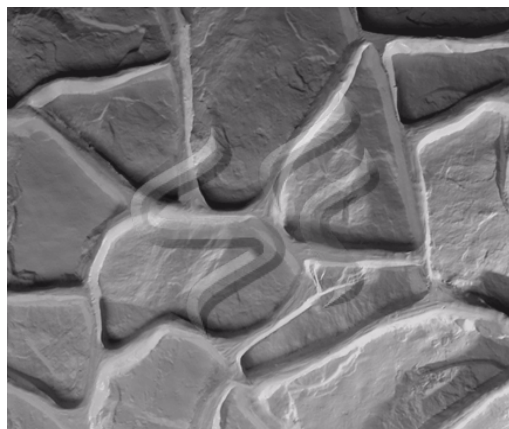
# Custom Random Fieldstone

3/4" relief with large irregular stones  
 1/2" to 1" mortar joint  
 8" to 24" rock sizes  
 Pattern 1505 modified to 3/4" relief



**Spec Formliners, Inc.**

Impressive on Concrete



Visit [www.specformliners.com](http://www.specformliners.com) for application guides and technical information

**ThermoSpec™**  
SINGLE OR MULTI-USE PLASTIC

Property	HIPS	ABS
Tensile D638	3700	5300
IFlexural D7905	-	9300
Hardness D786	-	105
<b>Material Weights - lbs/ft<sup>2</sup></b>		
0.070 MIL	0.110 MIL	0.150 MIL
0.393	0.621	0.843
<b>Thicknesses Available</b>		
0.070, 0.090, 0.110, 0.145, 0.155, 0.180		

**ElastoSpec Lite™** Semi-Elastomeric  
MULTI-USE MATERIAL

Property	ASTM	Rating
Shore A/D	D2240	40D/90A
Tensile	D412	1900 psi
Elongation	D412	300%
Tear Strength	D2370	23 MPa
<b>Material Weights - lbs/ft<sup>2</sup></b>		
Varies by Pattern		
<b>Maximum Thickness</b>		
1/4" + Relief		

**ElastoSpec™** 100% Solid Urethane  
BONDED TO 3/4" PLYWOOD

Property	ASTM	Rating
Shore A	D2240	55-65
Tensile	D412	1400 psi
Elongation	D638	600%
Tear Strength	D624	200 pli
<b>Material Weights - lbs/ft<sup>2</sup></b>		
Varies by Pattern		
<b>Maximum Thickness</b>		
1-1/8" + Relief		

Call for ThermoSpec™ Standard Panel Sizes on this pattern. Custom Sizes and Art Panels available

ElastoSpec™ Customized Panel Sizes and Art Panels

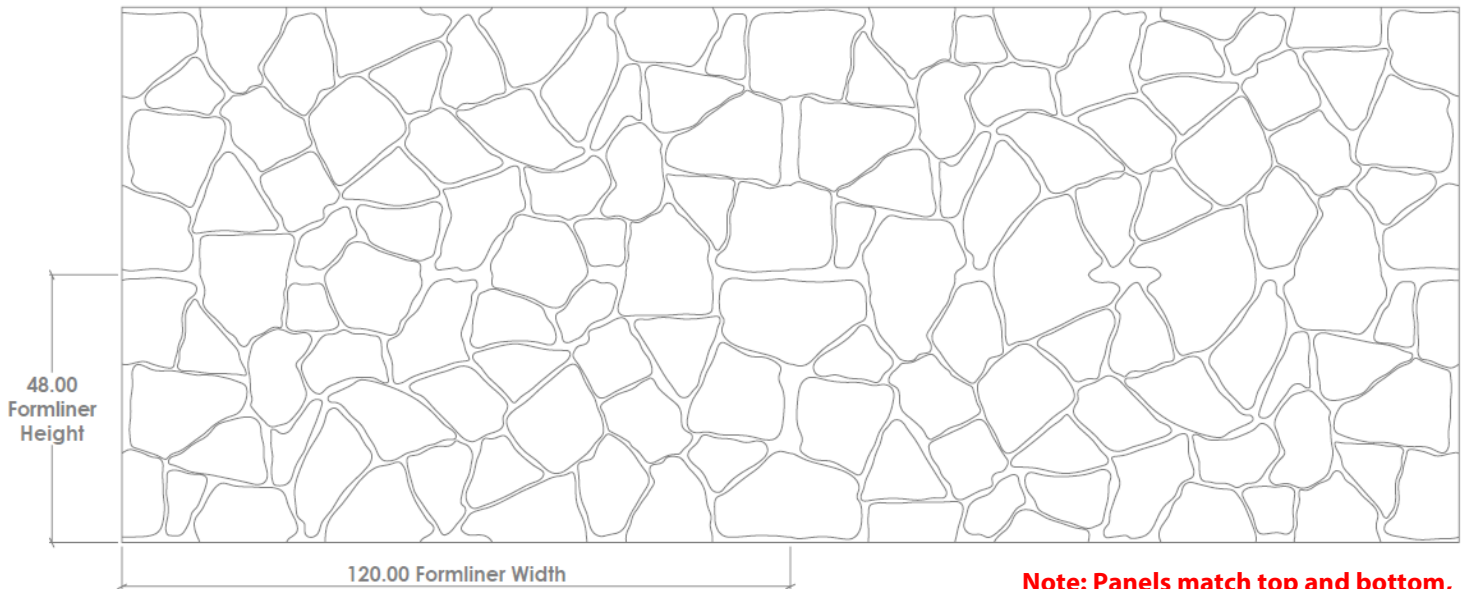
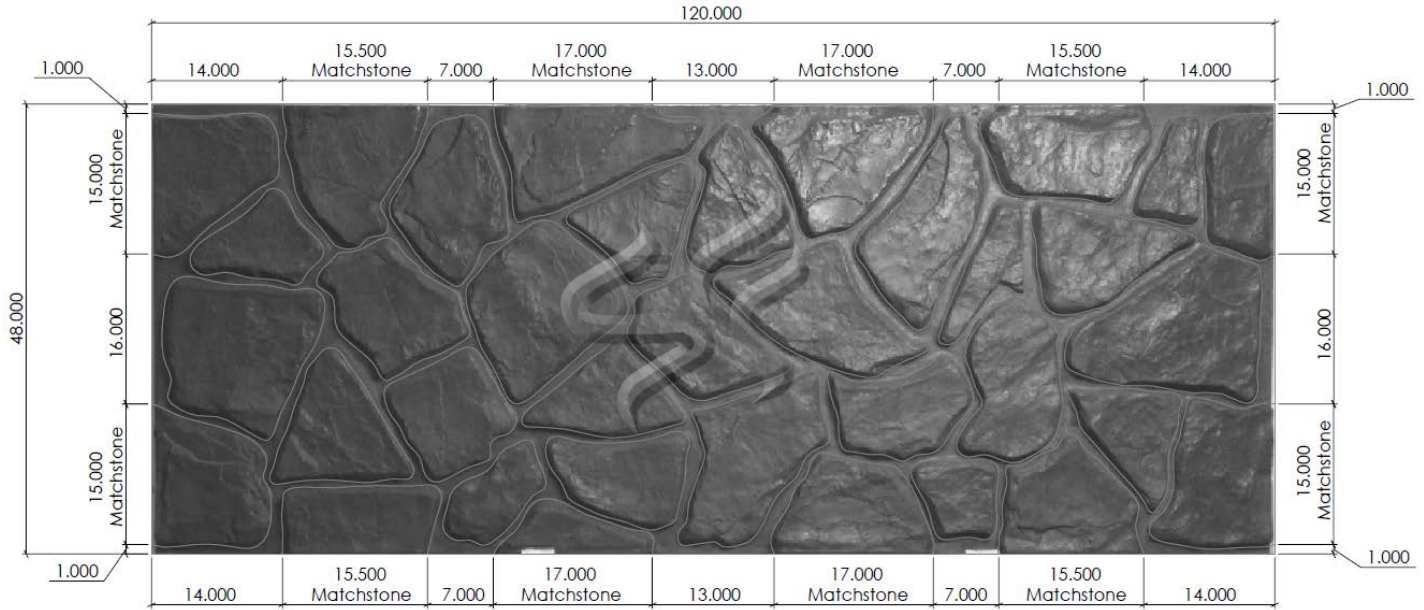
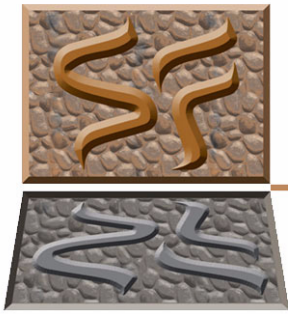
Pattern Number: **5537**

# Custom Random Fieldstone

3/4" relief with large irregular stones  
1/2" to 1" mortar joint  
8" to 24" rock sizes  
Pattern 1505 modified to 3/4" relief

## Spec Formliners, Inc.

Impressive on Concrete



**Note: Panels match top and bottom, side to side and rotated 180°.**