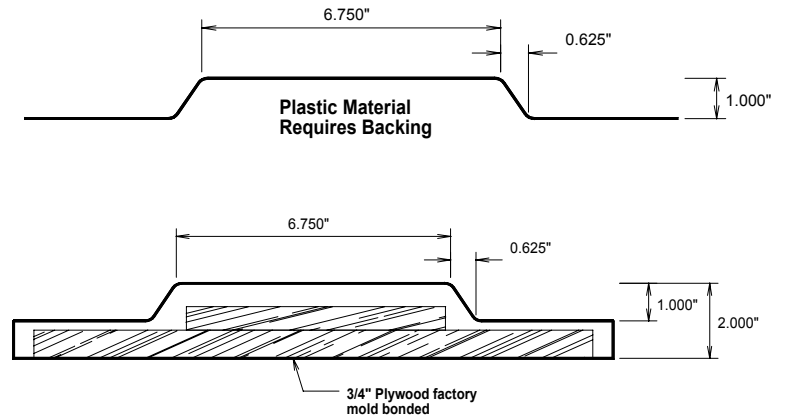
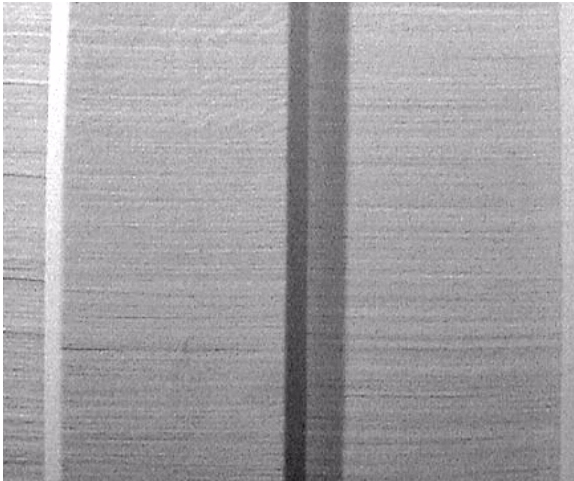


# Spec Formliners INCORPORATED

Pattern Number: **1201**

## Rough Sawn 8" Wood

1" (25mm) deep alternating hi-lo wood grain pattern.



### GENERAL INFORMATION

**ATTACHMENT TO FORMWORK** – Liners are attached to the form using TEK screws through the face of the liner spaced 12" C-C. Optional form mounting T-nuts embedded through the plywood backing is available for Elastospec panels.

**FORM RELEASE** – Apply with low flow, wide angle, flat spray nozzle and wipe with a cloth to insure a complete even coat to the entire form liner surface. Do not over apply form release agent. Protect treated form liners from precipitation, dust, and debris. Do not apply to reinforcing steel. **Dayton Superior Liner Coat? (J-4 LC)** form release, or equal, is approved for all form liner materials.

**TECHNICAL SUPPORT** – Contact Spec Formliners, Inc. 888 429-9550

**Note: Plastic Liners may require additional backing**

### ThermoSpec™ Single Use HIGH IMPACT STYRENE

Property	ASTM	Rating
Tensile	D638	3,700
Izod Impact	D256	20
Vicat Softening	D1525	212
<b>Material Weights - lbs/ft<sup>2</sup></b>		
0.070 MIL	0.090 MIL	0.150 MIL
0.393	0.506	0.843

### ThermoSpec™ Multi-Use ABS REUSABLE PLASTIC

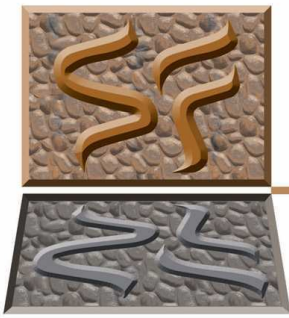
Property	ASTM	Rating
Tensile	D638	5,300
Flexural	D790	9,300
Hardness	D786	105
<b>Material Weights - lbs/ft<sup>2</sup></b>		
0.110 MIL	0.150 MIL	0.200 MIL
0.621	0.847	1.129

### ElastoSpec™ 100% Solid Urethane BONDED TO 3/4" PLYWOOD

Property	ASTM	Rating
Shore A	D2240	50-55
Tensile	D638	800 psi
Elongation	D638	600%
Tear Strength	D624	200 pli
<b>Material Weights - lbs/ft<sup>2</sup></b>		
Varies by Pattern		

**ThermoSpec™ Standard Panel Sizes: 48" x 96" or 48" x 120" Custom Sizes and Art Panels available**

**ElastoSpec™ Customized Panel Sizes and Art Panels**

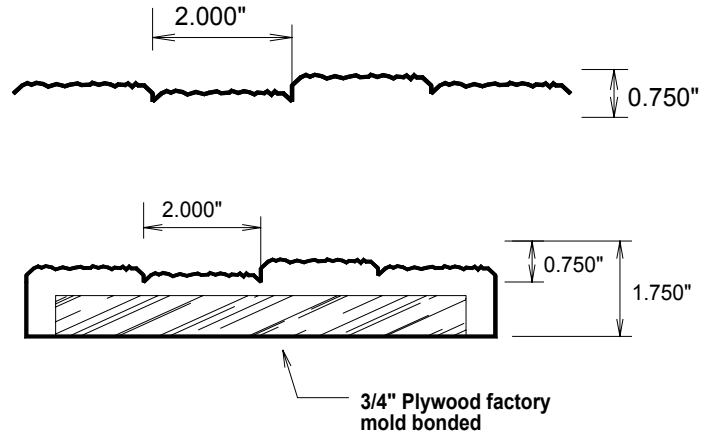
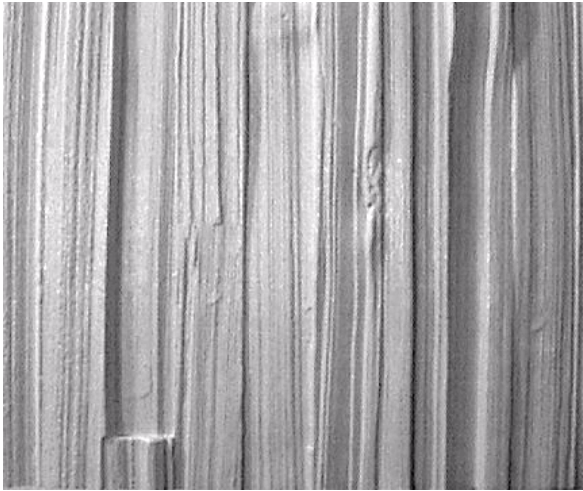


# Spec Formliners INCORPORATED

Pattern Number: **1202**

## Grape Stake

3/4" (19mm) average relief. 2" (51mm) heavy textured grape stake



### GENERAL INFORMATION

**ATTACHMENT TO FORMWORK** – Liners are attached to the form using TEK screws through the face of the liner spaced 12" C-C. Optional form mounting T-nuts embedded through the plywood backing is available for Elastospec panels.

**FORM RELEASE** – Apply with low flow, wide angle, flat spray nozzle and wipe with a cloth to insure a complete even coat to the entire form liner surface. Do not over apply form release agent. Protect treated form liners from precipitation, dust, and debris. Do not apply to reinforcing steel. **Dayton Superior Liner Coat? (J-4 LC)** form release, or equal, is approved for all form liner materials.

**TECHNICAL SUPPORT** – Contact Spec Formliners, Inc. 888 429-9550

**Note: Plastic Liners may require additional backing**

### ThermoSpec™ Single Use HIGH IMPACT STYRENE

Property	ASTM	Rating
Tensile	D638	3,700
Izod Impact	D256	20
Vicat Softening	D1525	212
<b>Material Weights - lbs/ft<sup>2</sup></b>		
0.070 MIL	0.090 MIL	0.150 MIL
0.393	0.506	0.843

### ThermoSpec™ Multi-Use ABS REUSABLE PLASTIC

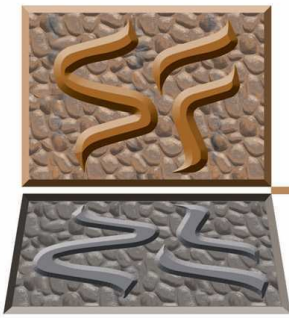
Property	ASTM	Rating
Tensile	D638	5,300
Flexural	D790	9,300
Hardness	D786	105
<b>Material Weights - lbs/ft<sup>2</sup></b>		
0.110 MIL	0.150 MIL	0.200 MIL
0.621	0.847	1.129

### ElastoSpec™ 100% Solid Urethane BONDED TO 3/4" PLYWOOD

Property	ASTM	Rating
Shore A	D2240	50-55
Tensile	D638	800 psi
Elongation	D638	600%
Tear Strength	D624	200 pli
<b>Material Weights - lbs/ft<sup>2</sup></b>		
Varies by Pattern		

**ThermoSpec™ Standard Panel Sizes: 48" x 96" or 48" x 120" Custom Sizes and Art Panels available**

**ElastoSpec™ Customized Panel Sizes and Art Panels**



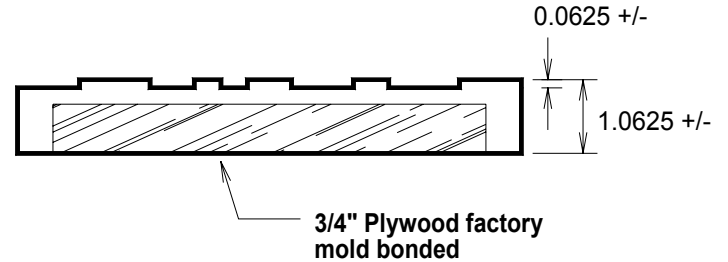
# Spec Formliners

INCORPORATED

Pattern Number: **1203**

## Barnwood

Medium Wood Grain Texture with tight seams and butt joints. Board widths from 2-3/4" to 6-7/8"



### GENERAL INFORMATION

**ATTACHMENT TO FORMWORK** – Liners are attached to the form using TEK screws through the face of the liner spaced 12" C-C. Optional form mounting T-nuts embedded through the plywood backing is available for Elastospec panels.

**FORM RELEASE** – Apply with low flow, wide angle, flat spray nozzle and wipe with a cloth to insure a complete even coat to the entire form liner surface. Do not over apply form release agent. Protect treated form liners from precipitation, dust, and debris. Do not apply to reinforcing steel. **Dayton Superior Liner Coat? (J-4 LC)** form release, or equal, is approved for all form liner materials.

**TECHNICAL SUPPORT** – Contact Spec Formliners, Inc. 888 429-9550

**Note: Plastic Liners may require additional backing**

### ThermoSpec™ Single Use HIGH IMPACT STYRENE

Property	ASTM	Rating
Tensile	D638	3,700
Izod Impact	D256	20
Vicat Softening	D1525	212
<b>Material Weights - lbs/ft<sup>2</sup></b>		
0.070 MIL	0.090 MIL	0.150 MIL
0.393	0.506	0.843

### ThermoSpec™ Multi-Use ABS REUSABLE PLASTIC

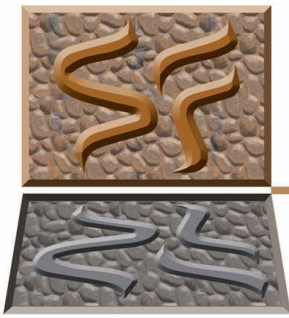
Property	ASTM	Rating
Tensile	D638	5,300
Flexural	D790	9,300
Hardness	D786	105
<b>Material Weights - lbs/ft<sup>2</sup></b>		
0.110 MIL	0.150 MIL	0.200 MIL
0.621	0.847	1.129

### ElastoSpec™ 100% Solid Urethane BONDED TO 3/4" PLYWOOD

Property	ASTM	Rating
Shore A	D2240	50-55
Tensile	D638	800 psi
Elongation	D638	600%
Tear Strength	D624	200 pli
<b>Material Weights - lbs/ft<sup>2</sup></b>		
Varies by Pattern		

**ThermoSpec™ Standard Panel Sizes: 48" x 96" or 48" x 120" Custom Sizes and Art Panels available**

**ElastoSpec™ Customized Panel Sizes and Art Panels**

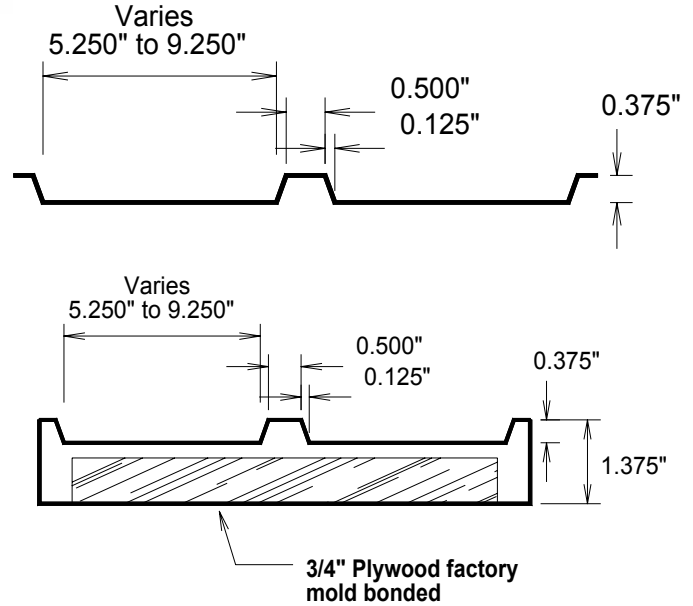


# Spec Formliners INCORPORATED

Pattern Number: **1204**

## Random 3/8" Board

Board widths from 5-1/4" to 9-1/4" with 3/8" deep reveal.



### GENERAL INFORMATION

**ATTACHMENT TO FORMWORK** – Liners are attached to the form using TEK screws through the face of the liner spaced 12" C-C. Optional form mounting T-nuts embedded through the plywood backing is available for Elastospec panels.

**FORM RELEASE** – Apply with low flow, wide angle, flat spray nozzle and wipe with a cloth to insure a complete even coat to the entire form liner surface. Do not over apply form release agent. Protect treated form liners from precipitation, dust, and debris. Do not apply to reinforcing steel. **Dayton Superior Liner Coat? (J-4 LC)** form release, or equal, is approved for all form liner materials.

**TECHNICAL SUPPORT** – Contact Spec Formliners, Inc. 888 429-9550

**Note: Plastic Liners may require additional backing**

### ThermoSpec™ Single Use HIGH IMPACT STYRENE

Property	ASTM	Rating
Tensile	D638	3,700
Izod Impact	D256	20
Vicat Softening	D1525	212
<b>Material Weights - lbs/ft<sup>2</sup></b>		
0.070 MIL	0.090 MIL	0.150 MIL
0.393	0.506	0.843

### ThermoSpec™ Multi-Use ABS REUSABLE PLASTIC

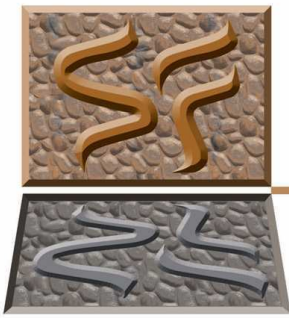
Property	ASTM	Rating
Tensile	D638	5,300
Flexural	D790	9,300
Hardness	D786	105
<b>Material Weights - lbs/ft<sup>2</sup></b>		
0.110 MIL	0.150 MIL	0.200 MIL
0.621	0.847	1.129

### ElastoSpec™ 100% Solid Urethane BONDED TO 3/4" PLYWOOD

Property	ASTM	Rating
Shore A	D2240	50-55
Tensile	D638	800 psi
Elongation	D638	600%
Tear Strength	D624	200 pli
<b>Material Weights - lbs/ft<sup>2</sup></b>		
Varies by Pattern		

**ThermoSpec™ Standard Panel Sizes: 48" x 96" or 48" x 120" Custom Sizes and Art Panels available**  
**ElastoSpec™ Customized Panel Sizes and Art Panels**



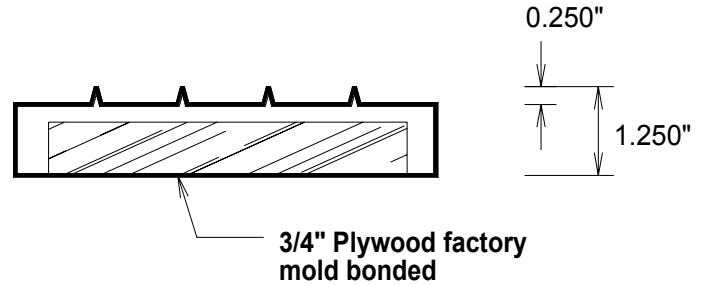


# Spec Formliners INCORPORATED

Pattern Number: **1207**

## Cedar Plank

4" (102mm) cedar plank  
3/8" (10mm) reveal between planks



### GENERAL INFORMATION

**ATTACHMENT TO FORMWORK** – Liners are attached to the form using TEK screws through the face of the liner spaced 12" C-C. Optional form mounting T-nuts embedded through the plywood backing is available for Elastospec panels.

**FORM RELEASE** – Apply with low flow, wide angle, flat spray nozzle and wipe with a cloth to insure a complete even coat to the entire form liner surface. Do not over apply form release agent. Protect treated form liners from precipitation, dust, and debris. Do not apply to reinforcing steel. **Dayton Superior Liner Coat? (J-4 LC)** form release, or equal, is approved for all form liner materials.

**TECHNICAL SUPPORT** – Contact Spec Formliners, Inc. 888 429-9550

**Note: Plastic Liners may require additional backing**

### ThermoSpec™ Single Use HIGH IMPACT STYRENE

Property	ASTM	Rating
Tensile	D638	3,700
Izod Impact	D256	20
Vicat Softening	D1525	212
<b>Material Weights - lbs/ft<sup>2</sup></b>		
0.070 MIL	0.090 MIL	0.150 MIL
0.393	0.506	0.843

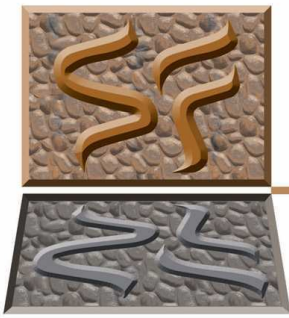
### ThermoSpec™ Multi-Use ABS REUSABLE PLASTIC

Property	ASTM	Rating
Tensile	D638	5,300
Flexural	D790	9,300
Hardness	D786	105
<b>Material Weights - lbs/ft<sup>2</sup></b>		
0.110 MIL	0.150 MIL	0.200 MIL
0.621	0.847	1.129

### ElastoSpec™ 100% Solid Urethane BONDED TO 3/4" PLYWOOD

Property	ASTM	Rating
Shore A	D2240	50-55
Tensile	D638	800 psi
Elongation	D638	600%
Tear Strength	D624	200 pli
<b>Material Weights - lbs/ft<sup>2</sup></b>		
Varies by Pattern		

**ThermoSpec™ Standard Panel Sizes: 48" x 96" or 48" x 120" Custom Sizes and Art Panels available**  
**ElastoSpec™ Customized Panel Sizes and Art Panels**



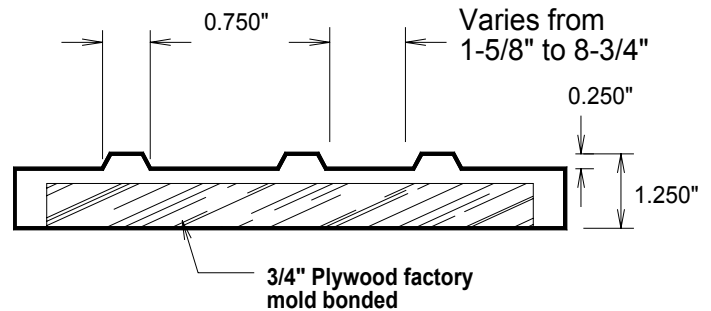
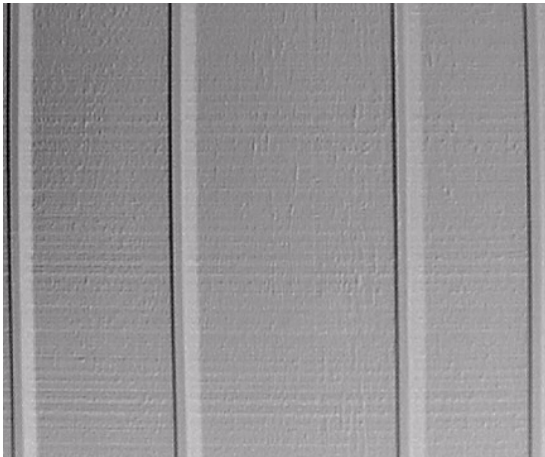
# Spec Formliners

INCORPORATED

Pattern Number: **1208**

## Rough Sawn Random Boards

Medium textured wood planks 1-5/8" to 8-3/4" widths. 1/4" deep by 3/4" wide reveals.



### GENERAL INFORMATION

**ATTACHMENT TO FORMWORK** – Liners are attached to the form using TEK screws through the face of the liner spaced 12" C-C. Optional form mounting T-nuts embedded through the plywood backing is available for Elastospec panels.

**FORM RELEASE** – Apply with low flow, wide angle, flat spray nozzle and wipe with a cloth to insure a complete even coat to the entire form liner surface. Do not over apply form release agent. Protect treated form liners from precipitation, dust, and debris. Do not apply to reinforcing steel. **Dayton Superior Liner Coat? (J-4 LC)** form release, or equal, is approved for all form liner materials.

**TECHNICAL SUPPORT** – Contact Spec Formliners, Inc. 888 429-9550

**Note: Plastic Liners may require additional backing**

### ThermoSpec™ Single Use HIGH IMPACT STYRENE

Property	ASTM	Rating
Tensile	D638	3,700
Izod Impact	D256	20
Vicat Softening	D1525	212
<b>Material Weights - lbs/ft<sup>2</sup></b>		
0.070 MIL	0.090 MIL	0.150 MIL
0.393	0.506	0.843

### ThermoSpec™ Multi-Use ABS REUSABLE PLASTIC

Property	ASTM	Rating
Tensile	D638	5,300
Flexural	D790	9,300
Hardness	D786	105
<b>Material Weights - lbs/ft<sup>2</sup></b>		
0.110 MIL	0.150 MIL	0.200 MIL
0.621	0.847	1.129

### ElastoSpec™ 100% Solid Urethane BONDED TO 3/4" PLYWOOD

Property	ASTM	Rating
Shore A	D2240	50-55
Tensile	D638	800 psi
Elongation	D638	600%
Tear Strength	D624	200 pli
<b>Material Weights - lbs/ft<sup>2</sup></b>		
Varies by Pattern		

**ThermoSpec™ Standard Panel Sizes: 48" x 96" or 48" x 120" Custom Sizes and Art Panels available**  
**ElastoSpec™ Customized Panel Sizes and Art Panels**



# Spec Formliners

I N C O R P O R A T E D

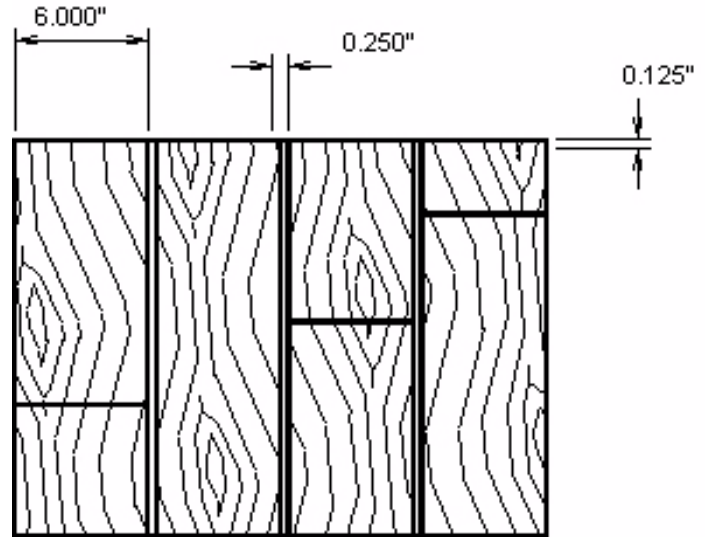


Pattern Number: **1209**

## 6" Pine Wood Grain

Board widths 5-3/4" with 1/4" reveal  
1/8" deep reveal.

Photo  
Available  
Soon



### GENERAL INFORMATION

**ATTACHMENT TO FORMWORK** – Liners are attached to the form using TEK screws through the face of the liner spaced 12" C-C. Optional form mounting T-nuts embedded through the plywood backing is available for Elastospec panels.

**FORM RELEASE** – Apply with low flow, wide angle, flat spray nozzle and wipe with a cloth to insure a complete even coat to the entire form liner surface. Do not over apply form release agent. Protect treated form liners from precipitation, dust, and debris. Do not apply to reinforcing steel. **Dayton Superior Liner Coat? (J-4 LC)** form release, or equal, is approved for all form liner materials.

**TECHNICAL SUPPORT** – Contact Spec Formliners, Inc. 888 429-9550

**Note: Plastic Liners may require additional backing**

### ThermoSpec™ Single Use HIGH IMPACT STYRENE

Property	ASTM	Rating
Tensile	D638	3,700
Izod Impact	D256	20
Vicat Softening	D1525	212
<b>Material Weights - lbs/ft<sup>2</sup></b>		
0.070 MIL	0.090 MIL	0.150 MIL
0.393	0.506	0.843

### ThermoSpec™ Multi-Use ABS REUSABLE PLASTIC

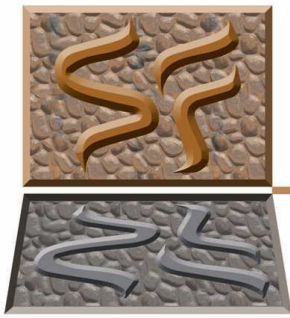
Property	ASTM	Rating
Tensile	D638	5,300
Flexural	D790	9,300
Hardness	D786	105
<b>Material Weights - lbs/ft<sup>2</sup></b>		
0.110 MIL	0.150 MIL	0.200 MIL
0.621	0.847	1.129

### ElastoSpec™ 100% Solid Urethane BONDED TO 3/4" PLYWOOD

Property	ASTM	Rating
Shore A	D2240	50-55
Tensile	D638	800 psi
Elongation	D638	600%
Tear Strength	D624	200 pli
<b>Material Weights - lbs/ft<sup>2</sup></b>		
Varies by Pattern		

**ThermoSpec™ Standard Panel Sizes: 48" x 96" or 48" x 120" Custom Sizes and Art Panels available**

**ElastoSpec™ Customized Panel Sizes and Art Panels**

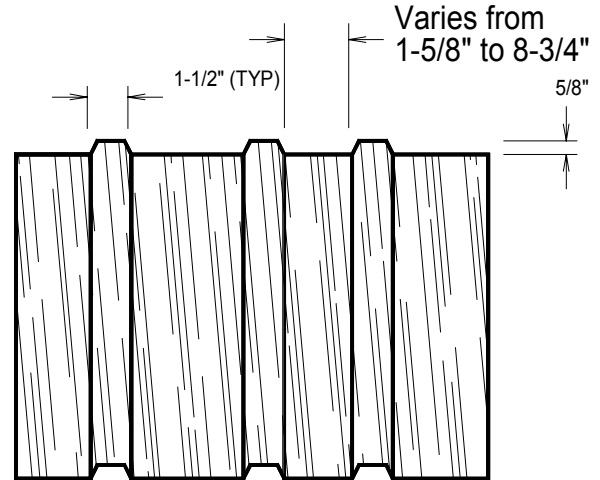
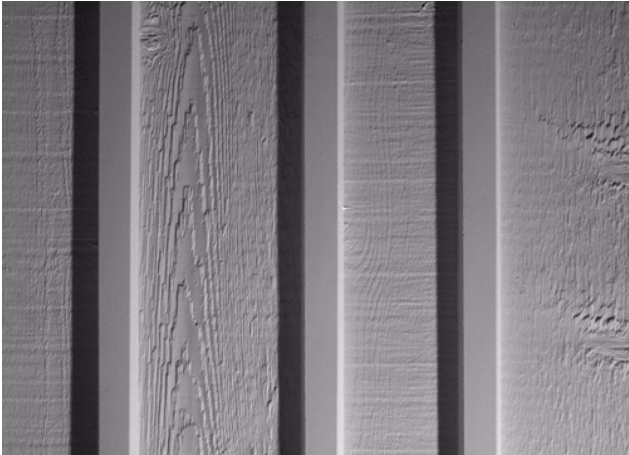


# Spec Formliners INCORPORATED

Pattern Number: **1210**

## Random Pine Wood Grain

Medium textured wood planks 1-5/8" to 8-3/4" widths. 5/8" deep by 1-1/2" wide reveals.



### GENERAL INFORMATION

**ATTACHMENT TO FORMWORK** – Liners are attached to the form using TEK screws through the face of the liner spaced 12" C-C. Optional form mounting T-nuts embedded through the plywood backing is available for Elastospec panels.

**FORM RELEASE** – Apply with low flow, wide angle, flat spray nozzle and wipe with a cloth to insure a complete even coat to the entire form liner surface. Do not over apply form release agent. Protect treated form liners from precipitation, dust, and debris. Do not apply to reinforcing steel. **Dayton Superior Liner Coat? (J-4 LC)** form release, or equal, is approved for all form liner materials.

**TECHNICAL SUPPORT** – Contact Spec Formliners, Inc. 888 429-9550

**Note: Plastic Liners may require additional backing**

### ThermoSpec™ Single Use HIGH IMPACT STYRENE

Property	ASTM	Rating
Tensile	D638	3,700
Izod Impact	D256	20
Vicat Softening	D1525	212
<b>Material Weights - lbs/ft<sup>2</sup></b>		
0.070 MIL	0.090 MIL	0.150 MIL
0.393	0.506	0.843

### ThermoSpec™ Multi-Use ABS REUSABLE PLASTIC

Property	ASTM	Rating
Tensile	D638	5,300
Flexural	D790	9,300
Hardness	D786	105
<b>Material Weights - lbs/ft<sup>2</sup></b>		
0.110 MIL	0.150 MIL	0.200 MIL
0.621	0.847	1.129

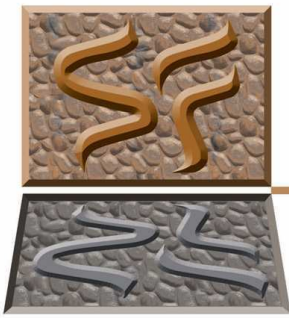
### ElastoSpec™ 100% Solid Urethane BONDED TO 3/4" PLYWOOD

Property	ASTM	Rating
Shore A	D2240	50-55
Tensile	D638	800 psi
Elongation	D638	600%
Tear Strength	D624	200 pli
<b>Material Weights - lbs/ft<sup>2</sup></b>		
Varies by Pattern		

**ThermoSpec™ Standard Panel Sizes: 48" x 96" or 48" x 120" Custom Sizes and Art Panels available**

**ElastoSpec™ Customized Panel Sizes and Art Panels**





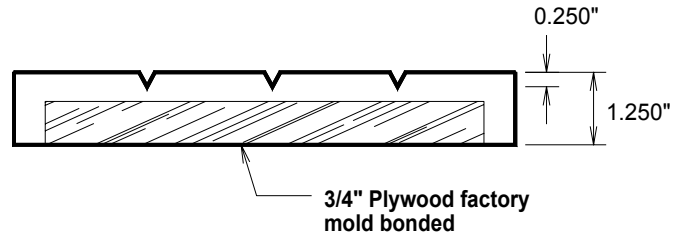
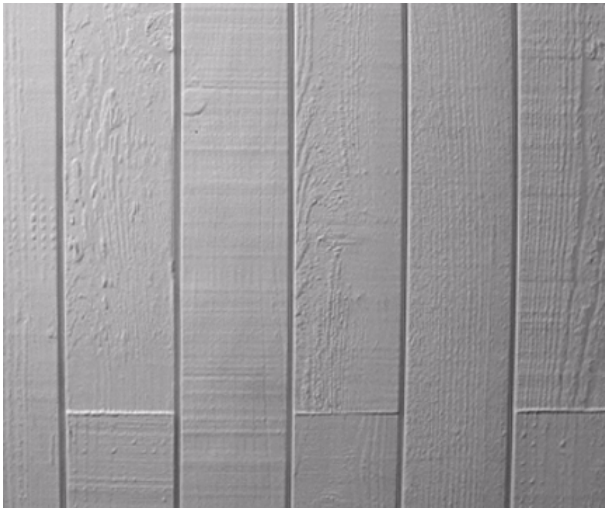
# Spec Formliners

INCORPORATED

Pattern Number: **1212**

## Light Wood Grain 581

3-1/2" (89mm) wide planks. 1/4" (6mm) protruding reveal.



### GENERAL INFORMATION

**ATTACHMENT TO FORMWORK** – Liners are attached to the form using TEK screws through the face of the liner spaced 12" C-C. Optional form mounting T-nuts embedded through the plywood backing is available for Elastospec panels.

**FORM RELEASE** – Apply with low flow, wide angle, flat spray nozzle and wipe with a cloth to insure a complete even coat to the entire form liner surface. Do not over apply form release agent. Protect treated form liners from precipitation, dust, and debris. Do not apply to reinforcing steel. **Dayton Superior Liner Coat? (J-4 LC)** form release, or equal, is approved for all form liner materials.

**TECHNICAL SUPPORT** – Contact Spec Formliners, Inc. 888 429-9550

**Note: Plastic Liners may require additional backing**

### ThermoSpec™ Single Use HIGH IMPACT STYRENE

Property	ASTM	Rating
Tensile	D638	3,700
Izod Impact	D256	20
Vicat Softening	D1525	212
<b>Material Weights - lbs/ft<sup>2</sup></b>		
0.070 MIL	0.090 MIL	0.150 MIL
0.393	0.506	0.843

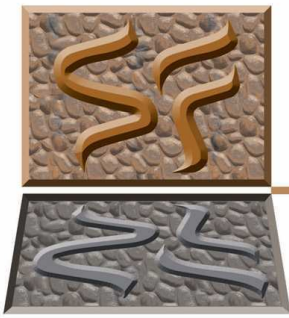
### ThermoSpec™ Multi-Use ABS REUSABLE PLASTIC

Property	ASTM	Rating
Tensile	D638	5,300
Flexural	D790	9,300
Hardness	D786	105
<b>Material Weights - lbs/ft<sup>2</sup></b>		
0.110 MIL	0.150 MIL	0.200 MIL
0.621	0.847	1.129

### ElastoSpec™ 100% Solid Urethane BONDED TO 3/4" PLYWOOD

Property	ASTM	Rating
Shore A	D2240	50-55
Tensile	D638	800 psi
Elongation	D638	600%
Tear Strength	D624	200 pli
<b>Material Weights - lbs/ft<sup>2</sup></b>		
Varies by Pattern		

**ThermoSpec™ Standard Panel Sizes: 48" x 96" or 48" x 120" Custom Sizes and Art Panels available**  
**ElastoSpec™ Customized Panel Sizes and Art Panels**



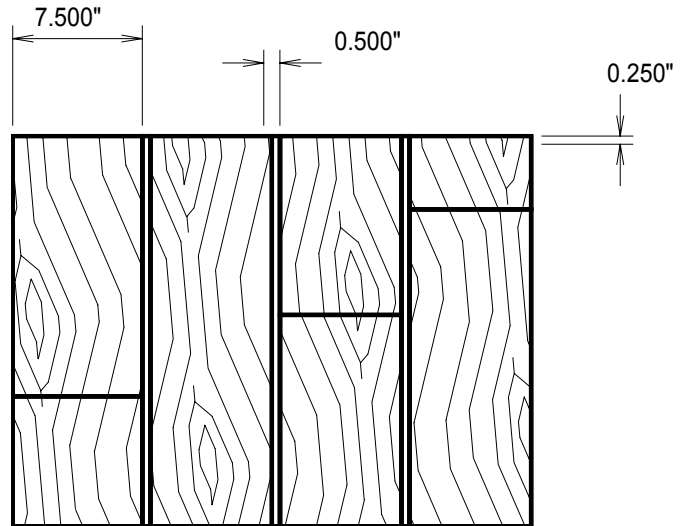
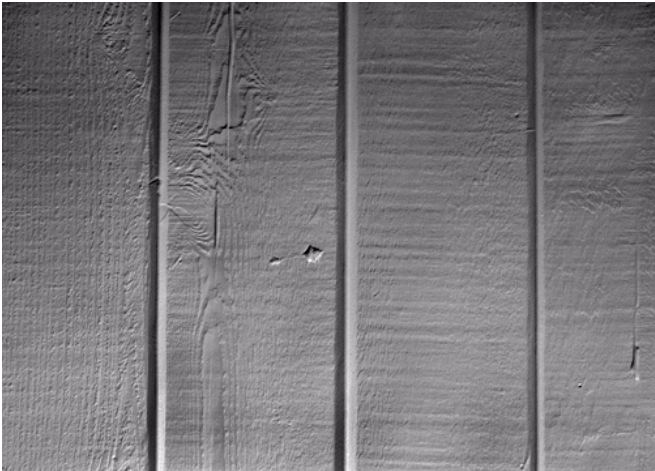
# Spec Formliners

INCORPORATED

Pattern Number: **1213**

## Weathered Tongue and Groove

7-1/2" (191mm) wide planks. 1/2" (13mm) x 1/4" (6mm) reveal.



### GENERAL INFORMATION

**ATTACHMENT TO FORMWORK** – Liners are attached to the form using TEK screws through the face of the liner spaced 12" C-C. Optional form mounting T-nuts embedded through the plywood backing is available for Elastospec panels.

**FORM RELEASE** – Apply with low flow, wide angle, flat spray nozzle and wipe with a cloth to insure a complete even coat to the entire form liner surface. Do not over apply form release agent. Protect treated form liners from precipitation, dust, and debris. Do not apply to reinforcing steel. **Dayton Superior Liner Coat? (J-4 LC)** form release, or equal, is approved for all form liner materials.

**TECHNICAL SUPPORT** – Contact Spec Formliners, Inc. 888 429-9550

**Note: Plastic Liners may require additional backing**

### ThermoSpec™ Single Use HIGH IMPACT STYRENE

Property	ASTM	Rating
Tensile	D638	3,700
Izod Impact	D256	20
Vicat Softening	D1525	212
<b>Material Weights - lbs/ft<sup>2</sup></b>		
0.070 MIL	0.090 MIL	0.150 MIL
0.393	0.506	0.843

### ThermoSpec™ Multi-Use ABS REUSABLE PLASTIC

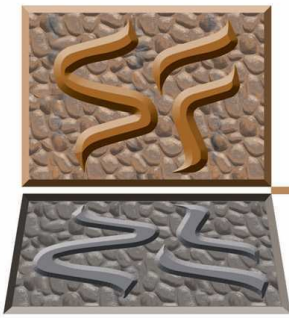
Property	ASTM	Rating
Tensile	D638	5,300
Flexural	D790	9,300
Hardness	D786	105
<b>Material Weights - lbs/ft<sup>2</sup></b>		
0.110 MIL	0.150 MIL	0.200 MIL
0.621	0.847	1.129

### ElastoSpec™ 100% Solid Urethane BONDED TO 3/4" PLYWOOD

Property	ASTM	Rating
Shore A	D2240	50-55
Tensile	D638	800 psi
Elongation	D638	600%
Tear Strength	D624	200 pli
<b>Material Weights - lbs/ft<sup>2</sup></b>		
Varies by Pattern		

**ThermoSpec™ Standard Panel Sizes: 48" x 96" or 48" x 120" Custom Sizes and Art Panels available**

**ElastoSpec™ Customized Panel Sizes and Art Panels**

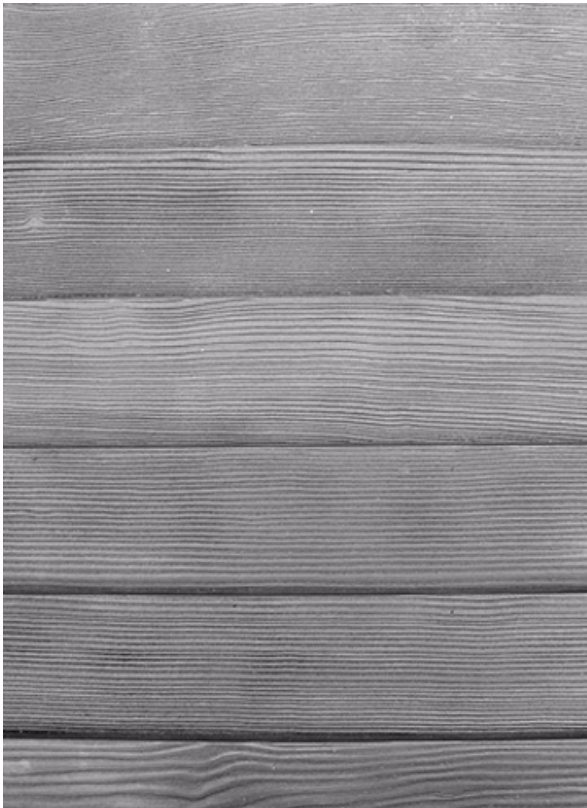


**Spec Formliners**  
I N C O R P O R A T E D

Pattern Number: **1215**

**6" Woodgrain Shiplap**

6" plank medium woodgrain texture  
3/4" (19mm) relief



**GENERAL INFORMATION**

**ATTACHMENT TO FORMWORK** – Liners are attached to the form using TEK screws through the face of the liner spaced 12" C-C. Optional form mounting T-nuts embedded through the plywood backing is available for Elastospec panels.

**FORM RELEASE** – Apply with low flow, wide angle, flat spray nozzle and wipe with a cloth to insure a complete even coat to the entire form liner surface. Do not over apply form release agent. Protect treated form liners from precipitation, dust, and debris. Do not apply to reinforcing steel. **Dayton Superior Liner Coat? (J-4 LC)** form release, or equal, is approved for all form liner materials.

**TECHNICAL SUPPORT** – Contact Spec Formliners, Inc. 888 429-9550

**Note: Plastic Liners may require additional backing**

**ThermoSpec™ Single Use**  
HIGH IMPACT STYRENE

Property	ASTM	Rating
Tensile	D638	3,700
Izod Impact	D256	20
Vicat Softening	D1525	212
<b>Material Weights - lbs/ft<sup>2</sup></b>		
0.070 MIL	0.090 MIL	0.150 MIL
0.393	0.506	0.843

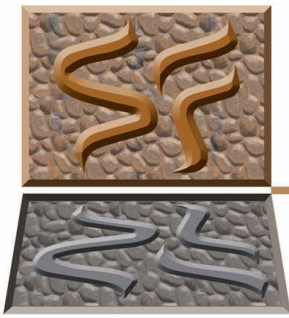
**ThermoSpec™ Multi-Use**  
ABS REUSABLE PLASTIC

Property	ASTM	Rating
Tensile	D638	5,300
Flexural	D790	9,300
Hardness	D786	105
<b>Material Weights - lbs/ft<sup>2</sup></b>		
0.110 MIL	0.150 MIL	0.200 MIL
0.621	0.847	1.129

**ElastoSpec™ 100% Solid Urethane**  
BONDED TO 3/4" PLYWOOD

Property	ASTM	Rating
Shore A	D2240	50-55
Tensile	D638	800 psi
Elongation	D638	600%
Tear Strength	D624	200 pli
<b>Material Weights - lbs/ft<sup>2</sup></b>		
Varies by Pattern		

**ThermoSpec™ Standard Panel Sizes: 48" x 96" or 48" x 120" Custom Sizes and Art Panels available**  
**ElastoSpec™ Customized Panel Sizes and Art Panels**



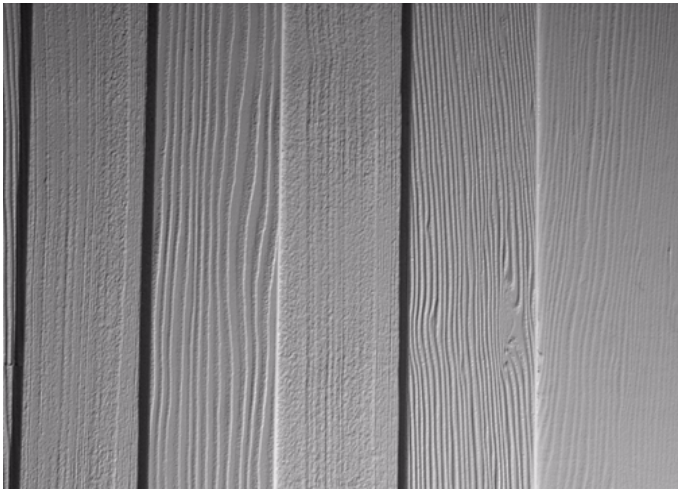
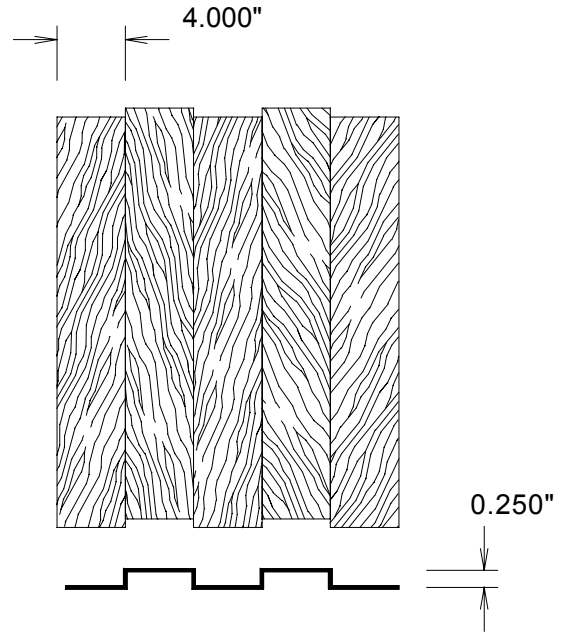
# Spec Formliners

INCORPORATED

Pattern Number: **1216**

## Weathered Wood Grain

4" (102mm) wide planks. 1/4" (6mm) high-lo steps.



### GENERAL INFORMATION

**ATTACHMENT TO FORMWORK** – Liners are attached to the form using TEK screws through the face of the liner spaced 12" C-C. Optional form mounting T-nuts embedded through the plywood backing is available for Elastospec panels.

**FORM RELEASE** – Apply with low flow, wide angle, flat spray nozzle and wipe with a cloth to insure a complete even coat to the entire form liner surface. Do not over apply form release agent. Protect treated form liners from precipitation, dust, and debris. Do not apply to reinforcing steel. **Dayton Superior Liner Coat? (J-4 LC)** form release, or equal, is approved for all form liner materials.

**TECHNICAL SUPPORT** – Contact Spec Formliners, Inc. 888 429-9550

**Note: Plastic Liners may require additional backing**

### ThermoSpec™ Single Use HIGH IMPACT STYRENE

Property	ASTM	Rating
Tensile	D638	3,700
Izod Impact	D256	20
Vicat Softening	D1525	212
<b>Material Weights - lbs/ft<sup>2</sup></b>		
0.070 MIL	0.090 MIL	0.150 MIL
0.393	0.506	0.843

### ThermoSpec™ Multi-Use ABS REUSABLE PLASTIC

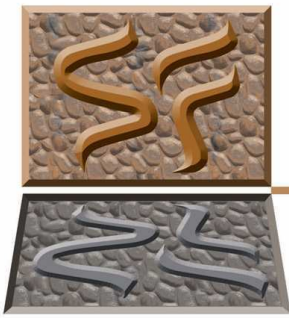
Property	ASTM	Rating
Tensile	D638	5,300
Flexural	D790	9,300
Hardness	D786	105
<b>Material Weights - lbs/ft<sup>2</sup></b>		
0.110 MIL	0.150 MIL	0.200 MIL
0.621	0.847	1.129

### ElastoSpec™ 100% Solid Urethane BONDED TO 3/4" PLYWOOD

Property	ASTM	Rating
Shore A	D2240	50-55
Tensile	D638	800 psi
Elongation	D638	600%
Tear Strength	D624	200 pli
<b>Material Weights - lbs/ft<sup>2</sup></b>		
Varies by Pattern		

**ThermoSpec™ Standard Panel Sizes: 48" x 96" or 48" x 120" Custom Sizes and Art Panels available**  
**ElastoSpec™ Customized Panel Sizes and Art Panels**



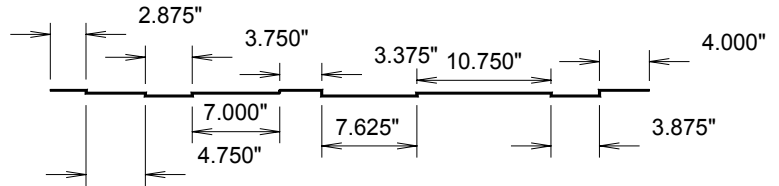
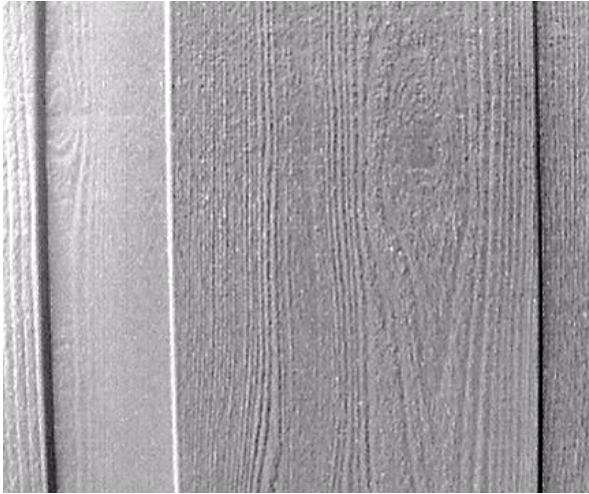


# Spec Formliners INCORPORATED

Pattern Number: **1226**

## Random Cedar Board Form

Hi-Lo random board widths of 2-7/8" to 10-3/4" - 1/2" max. depth in two steps



### GENERAL INFORMATION

**ATTACHMENT TO FORMWORK** – Liners are attached to the form using TEK screws through the face of the liner spaced 12" C-C. Optional form mounting T-nuts embedded through the plywood backing is available for Elastospec panels.

**FORM RELEASE** – Apply with low flow, wide angle, flat spray nozzle and wipe with a cloth to insure a complete even coat to the entire form liner surface. Do not over apply form release agent. Protect treated form liners from precipitation, dust, and debris. Do not apply to reinforcing steel. **Dayton Superior Liner Coat? (J-4 LC)** form release, or equal, is approved for all form liner materials.

**TECHNICAL SUPPORT** – Contact Spec Formliners, Inc. 888 429-9550

**Note: Plastic Liners may require additional backing**

### ThermoSpec™ Single Use HIGH IMPACT STYRENE

Property	ASTM	Rating
Tensile	D638	3,700
Izod Impact	D256	20
Vicat Softening	D1525	212
<b>Material Weights - lbs/ft<sup>2</sup></b>		
0.070 MIL	0.090 MIL	0.150 MIL
0.393	0.506	0.843

### ThermoSpec™ Multi-Use ABS REUSABLE PLASTIC

Property	ASTM	Rating
Tensile	D638	5,300
Flexural	D790	9,300
Hardness	D786	105
<b>Material Weights - lbs/ft<sup>2</sup></b>		
0.110 MIL	0.150 MIL	0.200 MIL
0.621	0.847	1.129

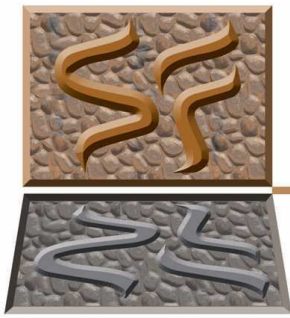
### ElastoSpec™ 100% Solid Urethane BONDED TO 3/4" PLYWOOD

Property	ASTM	Rating
Shore A	D2240	50-55
Tensile	D638	800 psi
Elongation	D638	600%
Tear Strength	D624	200 pli
<b>Material Weights - lbs/ft<sup>2</sup></b>		
Varies by Pattern		

**ThermoSpec™ Standard Panel Sizes: 48" x 96" or 48" x 120" Custom Sizes and Art Panels available**

**ElastoSpec™ Customized Panel Sizes and Art Panels**





# Spec Formliners

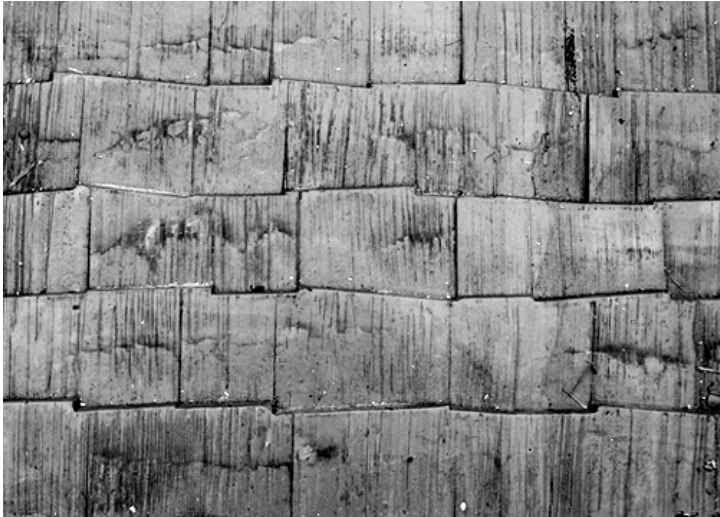
I N C O R P O R A T E D

Pattern Number: **1231**

## Split Cedar Shingle

1/2" (13mm) depth

4" to 6" lap with 4" to 8" random shingles



### GENERAL INFORMATION

**ATTACHMENT TO FORMWORK** – Liners are attached to the form using TEK screws through the face of the liner spaced 12" C-C. Optional form mounting T-nuts embedded through the plywood backing is available for Elastospec panels.

**FORM RELEASE** – Apply with low flow, wide angle, flat spray nozzle and wipe with a cloth to insure a complete even coat to the entire form liner surface. Do not over apply form release agent. Protect treated form liners from precipitation, dust, and debris. Do not apply to reinforcing steel. **Dayton Superior Liner Coat? (J-4 LC)** form release, or equal, is approved for all form liner materials.

**TECHNICAL SUPPORT** – Contact Spec Formliners, Inc. 888 429-9550

**Note: Plastic Liners may require additional backing**

### ThermoSpec™ Single Use HIGH IMPACT STYRENE

Property	ASTM	Rating
Tensile	D638	3,700
Izod Impact	D256	20
Vicat Softening	D1525	212
<b>Material Weights - lbs/ft<sup>2</sup></b>		
0.070 MIL	0.090 MIL	0.150 MIL
0.393	0.506	0.843

### ThermoSpec™ Multi-Use ABS REUSABLE PLASTIC

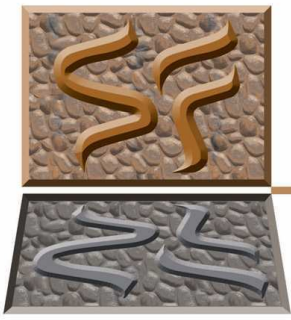
Property	ASTM	Rating
Tensile	D638	5,300
Flexural	D790	9,300
Hardness	D786	105
<b>Material Weights - lbs/ft<sup>2</sup></b>		
0.110 MIL	0.150 MIL	0.200 MIL
0.621	0.847	1.129

### ElastoSpec™ 100% Solid Urethane BONDED TO 3/4" PLYWOOD

Property	ASTM	Rating
Shore A	D2240	50-55
Tensile	D638	800 psi
Elongation	D638	600%
Tear Strength	D624	200 pli
<b>Material Weights - lbs/ft<sup>2</sup></b>		
Varies by Pattern		

**ThermoSpec™ Standard Panel Sizes: 48" x 96" or 48" x 120" Custom Sizes and Art Panels available**

**ElastoSpec™ Customized Panel Sizes and Art Panels**



# Spec Formliners INCORPORATED

Pattern Number: **1235**

## Wire Brush Grooved Textured Wood

Tongue and groove random planks with wire brushed texture.



### GENERAL INFORMATION

**ATTACHMENT TO FORMWORK** – Liners are attached to the form using TEK screws through the face of the liner spaced 12" C-C. Optional form mounting T-nuts embedded through the plywood backing is available for Elastospec panels.

**FORM RELEASE** – Apply with low flow, wide angle, flat spray nozzle and wipe with a cloth to insure a complete even coat to the entire form liner surface. Do not over apply form release agent. Protect treated form liners from precipitation, dust, and debris. Do not apply to reinforcing steel. **Dayton Superior Liner Coat? (J-4 LC)** form release, or equal, is approved for all form liner materials.

**TECHNICAL SUPPORT** – Contact Spec Formliners, Inc. 888 429-9550

**Note: Plastic Liners may require additional backing**

### ThermoSpec™ Single Use HIGH IMPACT STYRENE

Property	ASTM	Rating
Tensile	D638	3,700
Izod Impact	D256	20
Vicat Softening	D1525	212
<b>Material Weights - lbs/ft<sup>2</sup></b>		
0.070 MIL	0.090 MIL	0.150 MIL
0.393	0.506	0.843

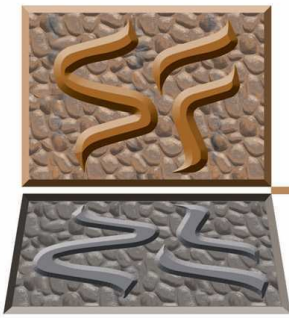
### ThermoSpec™ Multi-Use ABS REUSABLE PLASTIC

Property	ASTM	Rating
Tensile	D638	5,300
Flexural	D790	9,300
Hardness	D786	105
<b>Material Weights - lbs/ft<sup>2</sup></b>		
0.110 MIL	0.150 MIL	0.200 MIL
0.621	0.847	1.129

### ElastoSpec™ 100% Solid Urethane BONDED TO 3/4" PLYWOOD

Property	ASTM	Rating
Shore A	D2240	50-55
Tensile	D638	800 psi
Elongation	D638	600%
Tear Strength	D624	200 pli
<b>Material Weights - lbs/ft<sup>2</sup></b>		
Varies by Pattern		

**ThermoSpec™ Standard Panel Sizes: 48" x 96" or 48" x 120" Custom Sizes and Art Panels available**  
**ElastoSpec™ Customized Panel Sizes and Art Panels**



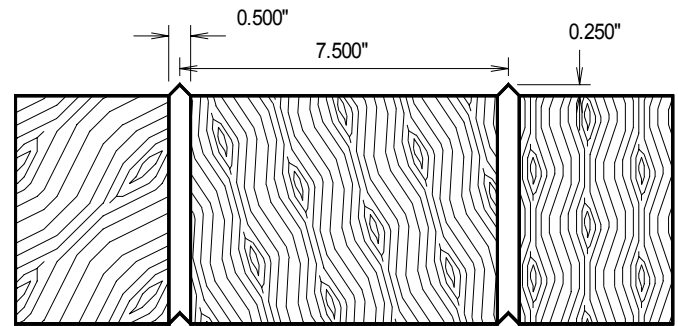
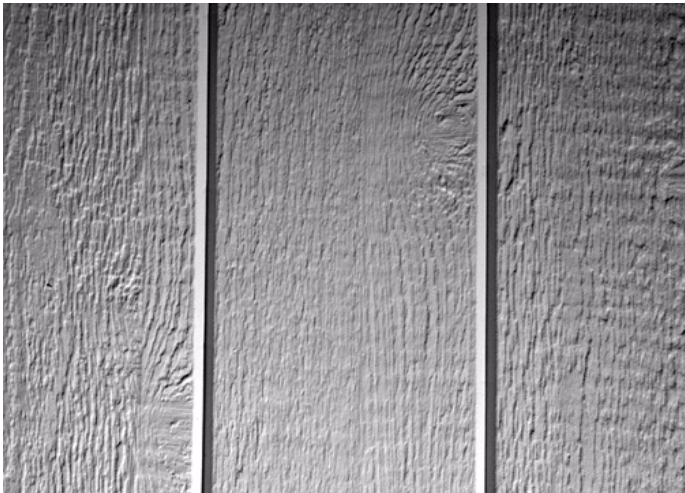
# Spec Formliners

I N C O R P O R A T E D

Pattern Number: **1236**

## Native Wood

Medium grain texture, 7-1/2" planks protruding reveal, 45" non-standard width



### GENERAL INFORMATION

**ATTACHMENT TO FORMWORK** – Liners are attached to the form using TEK screws through the face of the liner spaced 12" C-C. Optional form mounting T-nuts embedded through the plywood backing is available for Elastospec panels.

**FORM RELEASE** – Apply with low flow, wide angle, flat spray nozzle and wipe with a cloth to insure a complete even coat to the entire form liner surface. Do not over apply form release agent. Protect treated form liners from precipitation, dust, and debris. Do not apply to reinforcing steel. **Dayton Superior Liner Coat? (J-4 LC)** form release, or equal, is approved for all form liner materials.

**TECHNICAL SUPPORT** – Contact Spec Formliners, Inc. 888 429-9550

**Note: Plastic Liners may require additional backing**

### ThermoSpec™ Single Use HIGH IMPACT STYRENE

Property	ASTM	Rating
Tensile	D638	3,700
Izod Impact	D256	20
Vicat Softening	D1525	212
<b>Material Weights - lbs/ft<sup>2</sup></b>		
0.070 MIL	0.090 MIL	0.150 MIL
0.393	0.506	0.843

### ThermoSpec™ Multi-Use ABS REUSABLE PLASTIC

Property	ASTM	Rating
Tensile	D638	5,300
Flexural	D790	9,300
Hardness	D786	105
<b>Material Weights - lbs/ft<sup>2</sup></b>		
0.110 MIL	0.150 MIL	0.200 MIL
0.621	0.847	1.129

### ElastoSpec™ 100% Solid Urethane BONDED TO 3/4" PLYWOOD

Property	ASTM	Rating
Shore A	D2240	50-55
Tensile	D638	800 psi
Elongation	D638	600%
Tear Strength	D624	200 pli
<b>Material Weights - lbs/ft<sup>2</sup></b>		
Varies by Pattern		

**ThermoSpec™ Standard Panel Sizes: 48" x 96" or 48" x 120" Custom Sizes and Art Panels available**

**ElastoSpec™ Customized Panel Sizes and Art Panels**



**Spec Formliners**  
I N C O R P O R A T E D

Pattern Number: **1242**

## Barnwood with Reveal

Random size barnwood board texture with reveals



### GENERAL INFORMATION

**ATTACHMENT TO FORMWORK** – Liners are attached to the form using TEK screws through the face of the liner spaced 12" C-C. Optional form mounting T-nuts embedded through the plywood backing is available for Elastospec panels.

**FORM RELEASE** – Apply with low flow, wide angle, flat spray nozzle and wipe with a cloth to insure a complete even coat to the entire form liner surface. Do not over apply form release agent. Protect treated form liners from precipitation, dust, and debris. Do not apply to reinforcing steel. **Dayton Superior Liner Coat? (J-4 LC)** form release, or equal, is approved for all form liner materials.

**TECHNICAL SUPPORT** – Contact Spec Formliners, Inc. 888 429-9550

**Note: Plastic Liners may require additional backing**

### ThermoSpec™ Single Use HIGH IMPACT STYRENE

Property	ASTM	Rating
Tensile	D638	3,700
Izod Impact	D256	20
Vicat Softening	D1525	212
<b>Material Weights - lbs/ft<sup>2</sup></b>		
0.070 MIL	0.090 MIL	0.150 MIL
0.393	0.506	0.843

### ThermoSpec™ Multi-Use ABS REUSABLE PLASTIC

Property	ASTM	Rating
Tensile	D638	5,300
Flexural	D790	9,300
Hardness	D786	105
<b>Material Weights - lbs/ft<sup>2</sup></b>		
0.110 MIL	0.150 MIL	0.200 MIL
0.621	0.847	1.129

### ElastoSpec™ 100% Solid Urethane BONDED TO 3/4" PLYWOOD

Property	ASTM	Rating
Shore A	D2240	50-55
Tensile	D638	800 psi
Elongation	D638	600%
Tear Strength	D624	200 pli
<b>Material Weights - lbs/ft<sup>2</sup></b>		
Varies by Pattern		

**ThermoSpec™ Standard Panel Sizes: 48" x 96" or 48" x 120" Custom Sizes and Art Panels available**

**ElastoSpec™ Customized Panel Sizes and Art Panels**