



STRUCTURAL FRAMING

TECHNICAL GUIDE



TABLE OF CONTENTS

General Product Information	1-5
Section Properties Notes	6
Structural Stud Section Properties	7-10
Structural Track Section Properties	11-14
Web Depth to Thickness Ratio	15
Stud Shear and Track Shear	16
Limiting Wall Heights Structural Interior	17-24
Limiting Wall Heights Curtain Wall	25-36
Combined Axial & Lateral Load Tables	37-66
Floor and Roof Joist Span	67-70
Header Load Tables	71-73
Web Crippling Tables	74-78
Fasteners (Screws & Welds)	79
Typical Details	80-81
Tech Notes	82-84



SUPPORT TOOLS & CATALOG NOTES

Standards and Specifications

All members comply with ASTM standards shown in the Material Certification at the back of this catalog. All structural properties are developed in accordance with the American Iron and Steel Institute's "Specification for the Design of Cold-Formed Steel Structural Members, S100-16 (2020) w/S2-20."

General Notes

The data contained in this catalog is intended to be used as a general guideline only and does not replace the judgment and designs of a qualified architect and/or engineer. Product, application renderings and photographs are provided as a tool to show the general intent of the framing or finishing application only. These renderings or photographs may or may not be applicable to a specific project. They do not replace or supersede the architect or engineer of record, AISI or ASTM

Warranty

Mill Steel warrants that all products are free from defect at time of shipment, and are manufactured in accordance with company and/or industry standards as applicable.

Architectural Specification Review

Over time, project specifications can become outdated. For suggestions on how to improve the performance of your specifications, contact us about a complimentary review at SFIA.org

Notice

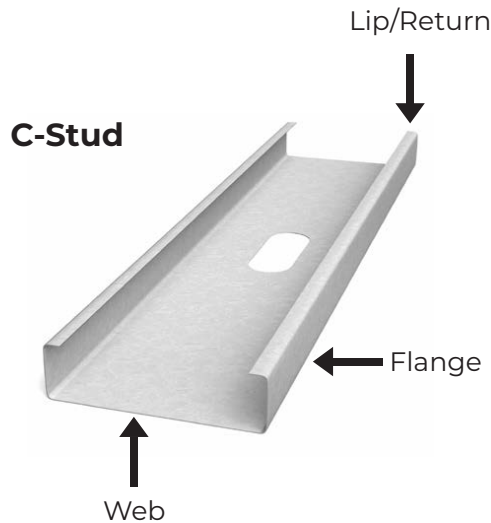
Mill Steel shall not be liable for incidental and consequential damages, directly or indirectly sustained, nor for any loss caused by application of these goods not in accordance with current printed instructions or for other than the intended use. Our liability is expressly limited to replacement of defective goods. Any claim shall be deemed waived unless made in writing to us within thirty (30) days from date it was or reasonably should have been discovered.

Complies with AISI S100-16 (2020) w/S2-20 · IBC 2021

OVERVIEW

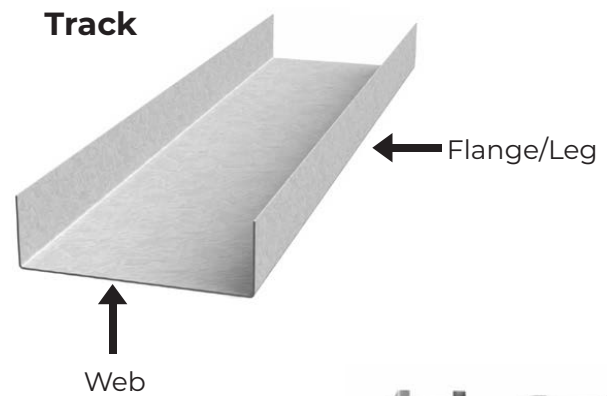
Wall Stud & Floor Joist Section Properties

Mill Steel cold-formed C-studs, produced to AISI S240 standards, for axial load-bearing and curtain wall framing are prepunched with knockouts at regular intervals specifically designed to allow for rapid installation of pipes, electrical conduit and wall bridging.



Track Section Properties

ClarkDietrich structural track is a U-shaped framing component used as top and bottom runnersto secure wall studs. It is produced to AISI S240 standards, and comes in standard 10' lengths. Structural track is also used as end support closures for joists at exterior or foundation walls, head and sill plates of wall openings and solid blocking.



Punchouts / Knockouts

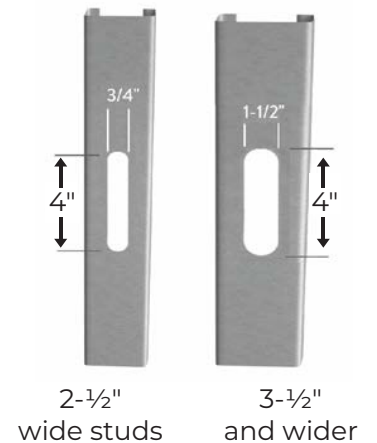
Mill Steel cold-formed C-studs, produced to AISI S240, for axial load-bearing and curtain-wall framing are prepunched with punchouts at regular intervals—specifically designed to allow for rapid installation of pipes, electrical conduit and wall bridging.

East Coast / Central Punch Spacing:

Center of punchouts are 12" from lead end, then 24" o.c.

Caution must be exercised when installing studs so knockouts align for bridging. Based on stud length, the distance the knockout falls from the tail end of the stud may not be the same from the lead end. To align punchouts, make sure to use the same end in the same direction consistently.

If lateral bracing is required for head-of-wall deflection track and a punchout is not spaced 12" from the top of stud, use strapping and blocking in lieu of CRC lateral bridging. If custom punchout patterns are required, contact Mill Steel Sales or local plant for requests.



Complies with AISI S100-16 (2020) w/S2-20 · IBC 2021

GENERAL PRODUCT INFORMATION

The Steel Framing Industry Association (SFIA) supports the industry standard nomenclature published in the American Iron and Steel Institute's (AISI) General Provisions, S202, section E4, which references AISI S220 and S240, Section A5.5 and states that.."structural members and non-structural members shall use a four-part product designator that identifies the size (both web depth and flange width), style, and thickness." An example of this designator is shown below:

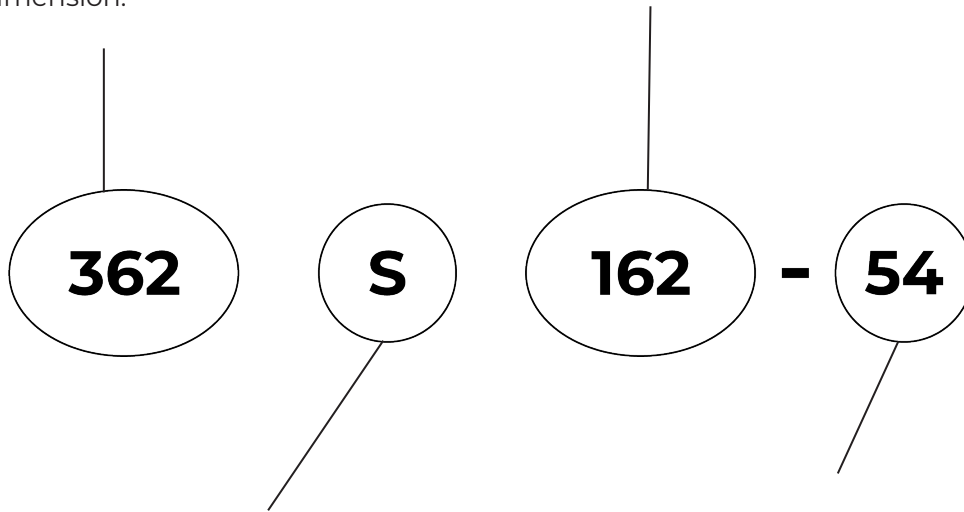
Example:

Member Depth:

(Example: $3\text{-}\frac{5}{8}\text{"}$ = 3.625" ~ 362 x $\frac{1}{100}$ inches)
All member depths are taken in $\frac{1}{100}$ inches.
For all *T" Sections, member depth is the inside to inside dimension.

Flange Width:

(Example: $1\text{-}\frac{5}{8}\text{"}$ * = 1.625" ~ 162 x $\frac{1}{100}$ inches)
All flange widths are taken in $\frac{1}{100}$ inches.



Style:

(Example: Stud or Joist section = S)
The five alpha characters utilized by the designator system are:
S = Stud or Joist Sections
T = Track Sections
U = Channel Sections
F = Furring Channel Sections
L = Angle or L-header

Material Thickness:

(Example: 0.054 in = 54 mils; 1 mil = 1/1000 in.)
Material thickness is the minimum base metal thickness in mils. Minimum base metal thickness represents 95% of the design thickness.

Note:

For Structural members 54 mil (16 gauge) and thicker, that have both 33 and 50 ksi yield strength options shown, the designer shall identify which yield strength he has specified and the manufacturer shall label the product with the yield strength.

Complies with AISI S100-16 (2020) w/S2-20 · IBC 2021

GENERAL PRODUCT INFORMATION

Thickness Table				
Designation Thickness (Mils)	Minimum Thickness ¹ (in)	Design Thickness (in)	Design Inside Corner Radii ² (in)	Reference Gauge No.
18	0.0179	0.0188	0.0844	25
27	0.0269	0.0283	0.0796	22
30	0.0296	0.0312	0.0782	20-Drywall
33	0.0329	0.0346	0.0765	20-Structural
43	0.0428	0.0451	0.0712	18
54	0.0538	0.0566	0.0849	16
68	0.0677	0.0713	0.1070	14
97	0.0966	0.1017	0.1526	12
118	0.1180	0.1242	0.1863	10

Stiffening Lip Length		
Section	Flange Width	Design Stiffening Lip Length (in)
S125	1 1/4"	0.188
S137	1 3/8"	0.375
S162	1 5/8"	0.500
S200	2"	0.625
S250	2 1/2"	0.625
S300	3"	0.625
S350	3 1/2"	1.000

¹ Minimum Thickness represents 95% of the design thickness and is the minimum acceptable thickness delivered to the jobsite based on section B7.1 of the AISI S100-16/S1-18.

² The tables in this catalog are calculated based on inside corner radii listed in this table.

General Notes for all Tables

- Where AISI S100-16/S2-20 is referenced, it is the "North American Specification for the Design of Cold-Formed Steel Structural Members", 2016 Edition, Supplement 2-20, with US provisions.
- The strength increase from cold work of forming has been incorporated for flexural strength per Section A3.3.2 of AISI S100-16/S2-20.
- The effective moment of inertia for deflection is calculated at a stress which results in a section modulus such that the stress times the section modulus at that stress is equal to the allowable moment. AISI S100-16/S2-20 Specification Procedure 1 for serviceability determination has been used. Increases in the effective moment of Inertia (I_{xe}) may be possible at lower stress levels. Any modified values would be required to be calculated by a qualified engineer.
- Various sections may be manufactured with yield points of 33 or 50 ksi. The yield point used for calculations are listed in the tables.
- For sections available in both 33 and 50 ksi, the specifier must be clearly indicate which yield point is required. For example: 3625162-68 (50ksi).
- When provided, factory punchouts will be located along the centerline of the webs of the members and will have a minimum center-to-center spacing of 24 inches. Punchouts for members greater than 2.5 inches deep are a maximum of 1.5 inches wide x 4 inches long.

Members with depths 2.5 inches and smaller are maximum of 3/4 inches wide x 4 inches long.

Complies with AISI S100-16 (2020) w/S2-20 · IBC 2021

GENERAL PRODUCT INFORMATION

Definitions of Structural Property Symbols

Gross Properties

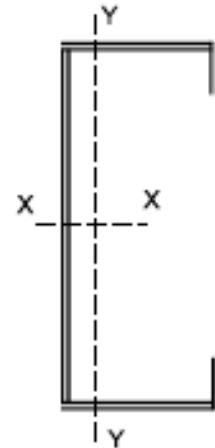
I_x : Moment of inertia of gross section about the X-X axis (strong axis).

S_x : Section modulus about the X-X axis (strong axis).

R_x : Radius of gyration of the gross section about the X-X axis.

I_y : Moment of inertia of gross section about the Y-Y axis (weak axis).

R_y : Radius of gyration of the gross section about the Y-Y axis.



Effective Properties

I_{xe} : Effective moment of inertia about the X-axis.

S_{xe} : Effective section modulus about the X-X axis (strong axis) stress = F_y .

M_a : Allowable Bending Moment- Based on the effective section modulus and the allowable stress including the strength increase from the cold-work of forming (Section A3.3.2) where applicable.

M_{ad} : Allowable Bending Moment - Based on Distortional Buckling Strength calculated per Sections F4, F4.1 of AISI S100-16/S2-20.

V_{ag} : Allowable strong axis shear away from punchout, calculated in accordance with Section G2 of AISI S100-16/S2-20.

V_{anet} : Allowable strong axis shear at punchout, calculated in accordance with Section G3 of AISI S100-16.

Torsional and Other Properties

J : St. Venant Torsional Constant.

C_w : Torsional warping constant.

m : Distance from shear center to mid-plane of web.

X_o : Distance from the shear center to the centroid along the principal X-axis.

R_o : Polar radius of gyration about the centroidal principal axis.

b : $1 - (X_o/R_o)^a$

L_u : The longest weak axis (L_y) and torsional (L_t) unbraced length at which lateral torsional buckling is restrained in accordance with Section F2.1 of AISI S100-16/S2-20.

Complies with AISI S100-16 (2020) w/S2-20 · IBC 2021

SECTION PROPERTIES

Section Properties Table Notes

1. Calculated properties are based on AISI S100-16 /S2-20 "North American Specification for the Design of Cold-Formed Steel Structural Members."
2. The centerline bend radius is based upon inside corner radii shown in Table as shown in the Thickness Table (page 4).
3. Effective properties incorporate the strength increase from the cold work of forming as applicable per AISI A3.3.2.
4. Tabulated gross properties, including torsional properties, are based upon full-unreduced cross section of the studs, avray from punchouts.
5. For deflection calculations, use the effective moment of inertia.
6. Allowable moment includes cold-work of forming.
7. For the steels that have both 33 and 50 ki listing, if the design is based upon 50 ksi, the 50 ksi steel needs to be specified. (Example: 3625 S137 16-50 (50 ksi)).
8. Web depth for track sections is equal to the nominal stud width plus 2 times the design thickness plus the bend radius. Hems on nonstructural track sections are ignored.

Complies with AISI S100-16 (2020) w/S2-20 · IBC 2021

SECTION PROPERTIES

Structural (S) Stud Section Properties

Member	Design Thickness (in)	F _y (ksi)	Area (in ²)	Weight (in/ft)	Gross Properties					Effective Properties					Torsional Properties							
					I _x (in ⁴)	S _x (in ³)	R _x (in)	I _y (in ⁴)	R _y (in)	I _x (in ⁴)	S _x (in ³)	M _a (in-k)	M _{ed} (in-k)	V _{av} (lb)	V _{net} (lb)	J x 1000 (in ⁴)	C _w (in ⁶)	X _o (in)	m (in)	R _o (in)	β	L _u (in)
1200S200-54 ¹	0.0566	33	0.953	3.24	17.668	2.945	4.307	0.394	0.643	16.700	2.383	39.32	34.44	1377	1102	1.017	11.550	-1.032	0.681	4.475	0.947	48.0
1200S200-54 ¹	0.0566	50	0.953	3.24	17.668	2.945	4.307	0.394	0.643	16.361	2.031	50.77	44.30	1377	1102	1.017	11.550	-1.032	0.681	4.475	0.947	39.0
1200S200-68	0.0713	50	1.192	4.06	21.955	3.659	4.291	0.479	0.634	20.892	2.911	87.15	73.93	2770	2770	2.020	14.176	-1.017	0.673	4.456	0.948	38.7
1200S200-97	0.1017	50	1.677	5.71	30.428	5.071	4.259	0.635	0.615	30.191	4.626	138.51	121.84	8145	7410	5.783	19.150	-0.987	0.656	4.415	0.950	38.1
1200S200-118	0.1242	50	2.028	6.90	36.361	6.060	4.235	0.733	0.601	36.356	5.848	175.09	159.83	14982	11034	10.427	22.451	-0.964	0.644	4.384	0.952	37.7
1200S250-54 ¹	0.0566	33	1.009	3.43	19.687	3.281	4.417	0.683	0.823	18.858	2.429	40.08	36.91	1377	1102	1.078	19.505	-1.378	0.892	4.699	0.914	59.5
1200S250-54 ¹	0.0566	50	1.009	3.43	19.687	3.281	4.417	0.683	0.823	18.511	2.108	52.69	47.35	1377	1102	1.078	19.505	-1.378	0.892	4.699	0.914	48.3
1200S250-68	0.0713	50	1.263	4.30	24.491	4.082	4.403	0.836	0.813	23.610	2.938	87.95	79.05	2770	2770	2.141	24.034	-1.362	0.884	4.680	0.915	48.1
1200S250-97	0.1017	50	1.779	6.05	34.027	5.671	4.373	1.122	0.794	33.851	4.998	149.63	130.54	8145	7410	6.134	32.734	-1.329	0.867	4.639	0.918	47.5
1200S250-118	0.1242	50	2.152	7.32	40.740	6.790	4.351	1.308	0.780	40.736	6.537	195.71	171.85	14982	11034	11.065	38.619	-1.305	0.854	4.609	0.920	47.1
1200S300-54 ¹	0.0566	33	1.066	3.63	21.705	3.618	4.513	1.074	1.004	21.700	2.673	44.11	38.41	1377	1102	1.138	30.051	-1.743	1.111	4.941	0.876	70.7
1200S300-54 ¹	0.0566	50	1.066	3.63	21.705	3.618	4.513	1.074	1.004	21.256	2.180	54.49	49.11	1377	1102	1.138	30.051	-1.743	1.111	4.941	0.876	57.4
1200S300-68	0.0713	50	1.335	4.54	27.028	4.505	4.500	1.320	0.994	26.553	3.233	96.80	82.33	2770	2770	2.262	37.126	-1.726	1.103	4.921	0.877	57.2
1200S300-97	0.1017	50	1.881	6.40	37.627	6.271	4.473	1.787	0.975	37.110	5.822	174.32	136.41	8145	7410	6.484	50.853	-1.691	1.085	4.880	0.880	56.7
1200S300-118	0.1242	50	2.276	7.74	45.119	7.520	4.452	2.096	0.960	45.115	7.234	216.59	180.23	14982	11034	11.704	60.251	-1.666	1.071	4.850	0.882	53.0
1200S350-54 ¹	0.0566	33	1.165	3.96	24.866	4.144	4.620	1.866	1.266	24.649	3.244	53.52	47.72	1377	1102	1.244	54.279	-2.363	1.478	5.342	0.804	71.4
1200S350-54 ¹	0.0566	50	1.165	3.96	24.866	4.144	4.620	1.866	1.266	24.159	2.707	67.67	61.32	1377	1102	1.244	54.279	-2.363	1.478	5.342	0.804	71.4
1200S350-68	0.0713	50	1.460	4.97	31.004	5.167	4.609	2.306	1.257	30.967	3.995	119.62	101.62	2770	2770	2.473	67.251	-2.346	1.469	5.322	0.806	71.2
1200S350-97	0.1017	50	2.059	7.00	43.280	7.213	4.585	3.159	1.239	43.274	6.582	197.06	166.00	8145	7410	7.098	92.672	-2.310	1.450	5.281	0.809	70.8
1200S350-118	0.1242	50	2.494	8.48	52.006	8.668	4.567	3.742	1.225	52.002	8.334	249.52	217.31	14982	11034	12.821	110.302	-2.284	1.436	5.251	0.811	66.9

¹ Web-height-to-thickness ratio exceeds 200. Web Stiffeners are required at all support points and concentric loads. Suitability of web holes must be evaluated independently.

² When web height-to thickness ratio exceeds 260, or flange width-to-thickness ratio exceeds 60, effective properties are not calculated (limitations in AISI Section B4.1).

Complies with AISI S100-16 (2020) w/S2-20 · IBC 2021

SECTION PROPERTIES

Style	Web Depth (in)	18Mil 0.0188	27Mil 0.0283	30Mil 0.0312	33Mil 0.0346	43Mil 0.0451	54Mil 0.0566	68Mil 0.0713	97Mil 0.1017	118Mil 0.1242
162S	1.625	75	50	45	41	31	24	18	11	8
250S	2.500	122	81	73	66	50	39	30	20	15
350S	3.500	175	116	105	95	72	57	44	29	23
362S	3.625	182	120	109	98	75	59	46	31	24
400S	4.000	202 ¹	134	121	109	84	66	51	34	27
550S	5.500	-	187	169	153	117	92	72	49	39
600S	6.000	-	204 ¹	185	167	128	101	79	54	43
800S	8.000	-	-	249 ¹	225 ¹	172	136	107	74	59
1000S	10.000	-	-	-	-	207 ¹	172	135	93	76
1200S	12.000	-	-	-	-	-	207	163	113	92
1400S	14.000	-	-	-	-	-	242 ¹	191	133	108
1600S	16.000	-	-	-	-	-	-	219 ¹	152	124

¹ hit exceeds 200

² h value used for h/t calculations is the flat width of the web. For Stud members, this is the out-to-out member size, minus twice the thickness, minus twice the inside bend radius.

³ h/t values exceeding 260 are marked with a dash (-)

Members with h/t between 200 and 260

Member	h/t	Member	h/t
400Sxxx18	202	1000xxx43	217
600Sxxx27	204	1200Sxxx54	207
800Sxxx30	249	1400Sxxx54	242
800Sxxx33	225	1600Sxxx68	219

Complies with AISI S100-16 (2020) w/S2-20 · IBC 2021

STUD SHEAR & TRACK SHEAR

Allowable Stud Shear (LBS)

Member		Solid Section	Perforated Section	Member		Solid Section	Perforated Section
Size (in)	mil (ksi)			Size (in)	mil (ksi)		
2.5	33 (33)	975	399	6	33 (33)	638	638
	43 (33)	1265	394		43 (33)	1416	1240
	54 (50)	2353	565		54 (50)	2823	1947
	68 (50)	2866	519		68 (50)	5350	2879
	97 (50)	3798	429		97 (50)	10472	3806
3.5	33 (33)	1024	487	8	33 (33)	474	474
	43 (33)	1739	631		43 (33)	1051	1051
	54 (50)	3372	947		54 (50)	2091	2091
	68 (50)	4203	897		68 (50)	4221	3367
	97 (50)	5705	775		97 (50)	10885	5938
3.625	33 (33)	1024	521	10	33 (33)	377	377
	43 (33)	1739	676		43 (33)	836	836
	54 (50)	3372	1016		54 (50)	1661	1661
	68 (50)	4370	1004		68 (50)	3345	3345
	97 (50)	5943	875		97 (50)	9864	7177
4	33 (33)	976	595	12	33 (33)	313	313
	43 (33)	1739	810		43 (33)	694	694
	54 (50)	3372	1223		54 (50)	1377	1377
	68 (50)	4871	1356		68 (50)	2771	2771
	97 (50)	6658	1207		97 (50)	8147	7411
5.5	33 (33)	699	699	14	33 (33)	268	268
	43 (33)	1550	1199		43 (33)	593	593
	54 (50)	3093	1881		54 (50)	1177	1177
	68 (50)	5350	2532		68 (50)	2365	2365
	97 (50)	9518	3026		97 (50)	6939	6939

Allowable Track Shear (LBS)

Member		Solid Section	Member		Solid Section
Size (in)	mil (ksi)		Size (in)	mil (ksi)	
2.5	33 (33)	1024	6	33 (33)	622
	43 (33)	1356		43 (33)	1377
	54 (50)	2563		54 (50)	2728
	68 (50)	3199		68 (50)	5350
	97 (50)	4476		97 (50)	10885
3.5	33 (33)	1024	8	33 (33)	465
	43 (33)	1739		43 (33)	1030
	54 (50)	3372		54 (50)	2039
	68 (50)	4536		68 (50)	4087
	97 (50)	6383		97 (50)	10885
3.625	33 (33)	1024	10	33 (33)	372
	43 (33)	1739		43 (33)	822
	54 (50)	3372		54 (50)	1628
	68 (50)	4703		68 (50)	3261
	97 (50)	6622		97 (50)	9507
4	33 (33)	940	12	33 (33)	309
	43 (33)	1739		43 (33)	684
	54 (50)	3372		54 (50)	1354
	68 (50)	5205		68 (50)	2713
	97 (50)	7337		97 (50)	7902
5.5	33 (33)	680	14	33 (33)	265
	43 (33)	1504		43 (33)	586
	54 (50)	2980		54 (50)	1160
	68 (50)	5350		68 (50)	2322
	97 (50)	10197		97 (50)	6761

¹ Web-height-to-thickness ratio exceeds 200. Web Stiffeners are required at all support points and concentrated loads.

Notes for Allowable Stud Shear:

1. Capacities are calculated per AISI S100-16 (2020) w/S2-20.
2. For perforated sections, the standard ClarkDietrich oval knockout of 1-1/2" (3/4" for 2-1/2" webs) x 4" is used.

Complies with AISI S100-16 (2020) w/S2-20 · IBC 2021

LIMITING WALL HEIGHTS - CURTAIN WALL

Wall Heights Table Notes

1. Lateral loads have not been modified for strength checks: full loads are applied.
2. Calculated properties are based on AISI S100-16/S2-20, "North American Specification for Cold-Formed Steel Structural Members."
3. For 15 psf or higher wind pressure, read the note below.
IBC 2021/ASCE 7-16: Due to the change in the model building codes, design wind pressures determined using IBC 2021/ASCE 7-16 are strength level loads (LRFD) in comparison to those determined in earlier IBC codes which were service level loads (ASD). The load/span tables that follow are based on service level (ASD) wind loads. Therefore, to properly use the load/span tables in this catalog, multiply the IBC 2021/ASCE 7-16 design wind pressures by 0.6 (Reference section 2.4 ASCE 7-16) prior to entering the load/span tables.

Example:

*ASCE 7-16 Calculated Design Wind Pressure = 25 ps (Strength level loads, LRFD)

*Convert to service level loads (ASD) = $25 \text{ psf} \times 0.6 = 15 \text{ psf}$

*Use 15 psf as the Pressure Value used in this Table to determine the member span

Any Other Building Code: The load/span tables that follow are based on service level (ASD) wind loads. If the wind load being used meets this criterion, it does not need to be modified prior to using the tables.

4. 15 psf and higher wind pressures have been multiplied by 0.7 x ASD loads, or 0.42 x Ultimate loads for deflection determination, in accordance with footnote "f" of IBC Table 1604.3. The 5 psf live load has not been reduced for deflection checks.
5. Limiting heights are based on continuous support of each flange over the full length of the stud.
6. Limiting heights are based on steel properties alone (non-composite).
7. Web crippling checks are based on end-one flange loading condition using 1-inch end bearing.
8. End shear and web crippling capacity have not been reduced for punchouts. Punchouts are assumed to be at least 10-inches to centered no less than 12 inches from the end of members, in accordance with AISI S240-20, Section A5.9.
9. Where limiting heights are followed by "e", web stiffeners are required.

Complies with AISI S100-16 (2020) w/S2-20 · IBC 2021

Interior Wall Heights

	Member	Spacing (in) o.c.	5 psf		
			L/120	L/240	L/360
			2-1/2" Structural Framing		
250S137-33		12	17' 6"	13' 10"	12' 1"
		16	15' 10"	12' 7"	11' 0"
		24	13' 10"	11' 0"	9' 7"
250S137-43		12	19' 0"	15' 1"	13' 2"
		16	17' 3"	13' 8"	11' 11"
		24	15' 1"	11' 11"	10' 5"
250S137-54		12	20' 3"	16' 1"	14' 1"
		16	18' 5"	14' 8"	12' 9"
		24	16' 1"	12' 9"	11' 2"
250S137-68		12	21' 8"	17' 2"	15' 0"
		16	19' 8"	15' 7"	13' 8"
		24	17' 2"	13' 8"	11' 11"
250S137-97		12	23' 8"	18' 10"	16' 5"
		16	21' 6"	17' 1"	14' 11"
		24	18' 10"	14' 11"	13' 0"
250S162-33		12	18' 4"	14' 7"	12' 9"
		16	16' 8"	13' 3"	11' 7"
		24	14' 7"	11' 7"	10' 1"
250S162-43		12	19' 11"	15' 10"	13' 10"
		16	18' 1"	14' 4"	12' 7"
		24	15' 10"	12' 7"	11' 0"
250S162-54		12	21' 4"	16' 11"	14' 9"
		16	19' 4"	15' 5"	13' 5"
		24	16' 11"	13' 5"	11' 9"
250S162-68		12	22' 9"	18' 1"	15' 9"
		16	20' 8"	16' 5"	14' 4"
		24	18' 1"	14' 4"	12' 6"
250S162-97		12	25' 0"	19' 10"	17' 4"
		16	22' 9"	18' 0"	15' 9"
		24	19' 10"	15' 9"	13' 9"

Allowable Wall Heights

	Member	Spacing (in) o.c.	5psf		
			L/120	L/240	L/360
			2-1/2" Structural Framing		
250S200-33		12	19' 4"	15' 4"	13' 5"
		16	17' 7"	13' 11"	12' 2"
		24	15' 4"	12' 2"	10' 8"
250S200-43		12	21' 1"	16' 9"	14' 8"
		16	19' 2"	15' 3"	13' 4"
		24	16' 9"	13' 4"	11' 7"
250S200-54		12	22' 7"	17' 11"	15' 8"
		16	20' 6"	16' 4"	14' 3"
		24	17' 11"	14' 3"	12' 5"
250S200-68		12	24' 2"	19' 2"	16' 9"
		16	21' 11"	17' 5"	15' 3"
		24	19' 2"	15' 3"	13' 4"
250S200-97		12	26' 7"	21' 1"	18' 5"
		16	24' 2"	19' 2"	16' 9"
		24	21' 1"	16' 9"	14' 8"
250S250-43		12	22' 4"	17' 9"	15' 6"
		16	20' 4"	16' 1"	14' 1"
		24	17' 9"	14' 1"	12' 4"
250S250-54		12	23' 11"	19' 0"	16' 7"
		16	21' 9"	17' 3"	15' 1"
		24	19' 0"	15' 1"	13' 2"
250S250-68		12	25' 8"	20' 4"	17' 9"
		16	23' 4"	18' 6"	16' 2"
		24	20' 4"	16' 2"	14' 1"
250S250-97		12	28' 4"	22' 6"	19' 8"
		16	25' 9"	20' 5"	17' 10"
		24	22' 6"	17' 10"	15' 7"

Notes

1. Studs are checked for simple-span deflection and stress. Stress calculations are made for mid-span fully braced moment, end shear through the unperforated section and shear moment interaction through the perforated section 10" away from the end bearing.
2. A 1/3 stress increase is not used.
3. Limiting heights are based on continuous lateral support of each flange over the full height of the stud.
4. Listed limiting heights are based on steel properties only.
5. End reactions must be checked for web crippling separately.
6. Web crippling check based on 1-inch end bearing. Where limiting heights are followed by "e", web stiffeners are required.
7. Allowable moment is the lesser of local and distortional buckling. Stud distortional buckling based on an assumed $K\phi = 0$.
8. Members marked with an l have $h/t > 200$, and thus require end stiffeners.
9. Capacities are calculated according to the AISI S100-16 (2020) w/S2-20. A 1-1/2" by 4" knockout spaced no closer than 24" o.c. is assumed. (3/4" for 2-1/2" studs).
10. All values are based on $F_y=33\text{ksi}$ for 33mil and 43mil Studs, and $F_y=50\text{ksi}$ for 54mil, 68mil and 97mil Studs.
11. For deflection calculations, interior wall loads have been multiplied by 1.0 per AISI S240.

Complies with AISI S100-16 (2020) w/S2-20 · IBC 2021

Interior Wall Heights

	Member	Spacing (in) o.c.	5psf		
			L/120	L/240	L/360
3-1/2" Structural Framing	350S137-33	12	22' 7"	17' 11"	15' 8"
		16	20' 7"	16' 4"	14' 3"
		24	17' 2"	14' 3"	12' 5"
	350S137-43	12	24' 7"	19' 6"	17' 1"
		16	22' 4"	17' 9"	15' 6"
		24	19' 6"	15' 6"	13' 6"
	350S137-54	12	26' 4"	20' 11"	18' 3"
		16	23' 11"	19' 0"	16' 7"
		24	20' 11"	16' 7"	14' 6"
	350S137-68	12	28' 2"	22' 4"	19' 6"
		16	25' 7"	20' 3"	17' 9"
		24	22' 4"	17' 9"	15' 6"
	350S137-97	12	30' 11"	24' 7"	21' 5"
		16	28' 1"	22' 4"	19' 6"
		24	24' 7"	19' 6"	17' 0"
	350S162-33	12	23' 9"	18' 10"	16' 5"
		16	21' 7"	17' 1"	14' 11"
		24	18' 5"	14' 11"	13' 1"
	350S162-43	12	25' 10"	20' 6"	17' 11"
		16	23' 5"	18' 7"	16' 3"
		24	20' 6"	16' 3"	14' 2"
	350S162-54	12	27' 8"	21' 11"	19' 2"
		16	25' 1"	19' 11"	17' 5"
		24	21' 11"	17' 5"	15' 2"
	350S162-68	12	29' 7"	23' 6"	20' 6"
		16	26' 10"	21' 4"	18' 7"
		24	23' 6"	18' 7"	16' 3"
	350S162-97	12	32' 7"	25' 10"	22' 7"
		16	29' 7"	23' 6"	20' 6"
		24	25' 10"	20' 6"	17' 11"

Allowable Wall Heights

	Member	Spacing (in) o.c.	5psf		
			L/120	L/240	L/360
3-1/2" Structural Framing	350S200-33	12	24' 11"	19' 10"	17' 4"
		16	22' 8"	18' 0"	15' 9"
		24	19' 4"	15' 9"	13' 9"
	350S200-43	12	27' 3"	21' 8"	18' 11"
		16	24' 9"	19' 8"	17' 2"
		24	21' 8"	17' 2"	15' 0"
	350S200-54	12	29' 3"	23' 2"	20' 3"
		16	26' 6"	21' 1"	18' 5"
		24	23' 2"	18' 5"	16' 1"
	350S200-68	12	31' 3"	24' 10"	21' 8"
		16	28' 5"	22' 7"	19' 8"
		24	24' 10"	19' 8"	17' 3"
	350S200-97	12	34' 7"	27' 5"	24' 0"
		16	31' 5"	24' 11"	21' 9"
		24	27' 5"	21' 9"	19' 0"
	350S250-43	12	28' 9"	22' 10"	19' 11"
		16	26' 1"	20' 9"	18' 1"
		24	22' 10"	18' 1"	15' 10"
	350S250-54	12	30' 9"	24' 5"	21' 4"
		16	27' 11"	22' 2"	19' 4"
		24	24' 5"	19' 4"	16' 11"
	350S250-68	12	33' 1"	26' 3"	22' 11"
		16	30' 0"	23' 10"	20' 10"
		24	26' 3"	20' 10"	18' 2"
	350S250-97	12	36' 7"	29' 1"	25' 5"
		16	33' 3"	26' 5"	23' 1"
		24	29' 1"	23' 1"	20' 2"

Notes

*Please see page 18 for notes.

Complies with AISI S100-16 (2020) w/S2-20 · IBC 2021

Interior Wall Heights

	Member	Spacing (in) o.c.	5 psf		
			L/120	L/240	L/360
			3-5/8" Structural Framing		
362S137-33		12	23' 3"	18' 5"	16' 1"
		16	21' 1"	16' 9"	14' 8"
		24	17' 6"	14' 8"	12' 10"
362S137-43		12	25' 3"	20' 1"	17' 6"
		16	23' 0"	18' 3"	15' 11"
		24	20' 1"	15' 11"	13' 11"
362S137-54		12	27' 1"	21' 6"	18' 9"
		16	24' 7"	19' 6"	17' 1"
		24	21' 6"	17' 1"	14' 11"
362S137-68		12	28' 11"	22' 11"	20' 1"
		16	26' 3"	20' 10"	18' 3"
		24	22' 11"	18' 3"	15' 11"
362S137-97		12	31' 10"	25' 3"	22' 1"
		16	28' 11"	22' 11"	20' 1"
		24	25' 3"	20' 1"	17' 6"
362S162-33		12	24' 4"	19' 4"	16' 11"
		16	22' 2"	17' 7"	15' 4"
		24	18' 9"	15' 4"	13' 5"
362S162-43		12	26' 6"	21' 0"	18' 5"
		16	24' 1"	19' 1"	16' 8"
		24	21' 0"	16' 8"	14' 7"
362S162-54		12	28' 5"	22' 6"	19' 8"
		16	25' 10"	20' 6"	17' 11"
		24	22' 6"	17' 11"	15' 7"
362S162-68		12	30' 5"	24' 1"	21' 1"
		16	27' 7"	21' 11"	19' 2"
		24	24' 1"	19' 2"	16' 9"
362S162-97		12	33' 6"	26' 7"	23' 3"
		16	30' 5"	24' 2"	21' 1"
		24	26' 7"	21' 1"	18' 5"

Allowable Wall Heights

	Member	Spacing (in) o.c.	5psf		
			L/120	L/240	L/360
			3-5/8" Structural Framing		
362S200-33		12	25' 8"	20' 4"	17' 9"
		16	23' 3"	18' 6"	16' 2"
		24	19' 8"	16' 2"	14' 1"
362S200-43		12	28' 0"	22' 3"	19' 5"
		16	25' 5"	20' 2"	17' 8"
		24	22' 3"	17' 8"	15' 5"
362S200-54		12	30' 0"	23' 10"	20' 10"
		16	27' 3"	21' 8"	18' 11"
		24	23' 10"	18' 11"	16' 6"
362S200-68		12	32' 2"	25' 6"	22' 3"
		16	29' 2"	23' 2"	20' 3"
		24	25' 6"	20' 3"	17' 8"
362S200-97		12	35' 6"	28' 3"	24' 8"
		16	32' 3"	25' 8"	22' 5"
		24	28' 3"	22' 5"	19' 7"
362S250-43		12	29' 6"	23' 5"	20' 6"
		16	26' 10"	21' 3"	18' 7"
		24	23' 5"	18' 7"	16' 3"
362S250-54		12	31' 7"	25' 1"	21' 11"
		16	28' 8"	22' 9"	19' 11"
		24	25' 1"	19' 11"	17' 4"
362S250-68		12	33' 11"	26' 11"	23' 6"
		16	30' 10"	24' 6"	21' 5"
		24	26' 11"	21' 5"	18' 8"
362S250-97		12	37' 7"	29' 10"	26' 1"
		16	34' 2"	27' 1"	23' 8"
		24	29' 10"	23' 8"	20' 8"

Notes

*Please see page 18 for notes.

Complies with AISI S100-16 (2020) w/S2-20 · IBC 2021

Interior Wall Heights

	Member	Spacing (in) o.c.	5 psf		
			L/120	L/240	L/360
			4" Structural Framing		
400S137-33		12	25' 1"	19' 11"	17' 5"
		16	22' 7"	18' 1"	15' 10"
		24	18' 6"	15' 10"	13' 10"
400S137-43		12	27' 4"	21' 8"	18' 11"
		16	24' 10"	19' 8"	17' 2"
		24	21' 8"	17' 2"	15' 0"
400S137-54		12	29' 3"	23' 2"	20' 3"
		16	26' 7"	21' 1"	18' 5"
		24	23' 2"	18' 5"	16' 1"
400S137-68		12	31' 3"	24' 10"	21' 8"
		16	28' 5"	22' 7"	19' 8"
		24	24' 10"	19' 8"	17' 2"
400S137-97		12	34' 5"	27' 4"	23' 11"
		16	31' 3"	24' 10"	21' 8"
		24	27' 4"	21' 8"	18' 11"
400S162-33		12	26' 3"	20' 10"	18' 3"
		16	23' 11"	18' 11"	16' 7"
		24	19' 10"	16' 7"	14' 6"
400S162-43		12	28' 7"	22' 8"	19' 10"
		16	26' 0"	20' 7"	18' 0"
		24	22' 8"	18' 0"	15' 9"
400S162-54		12	30' 8"	24' 4"	21' 3"
		16	27' 10"	22' 1"	19' 4"
		24	24' 4"	19' 4"	16' 10"
400S162-68		12	32' 10"	26' 0"	22' 9"
		16	29' 10"	23' 8"	20' 8"
		24	26' 0"	20' 8"	18' 1"
400S162-97		12	36' 3"	28' 9"	25' 1"
		16	32' 11"	26' 1"	22' 10"
		24	28' 9"	22' 10"	19' 11"

Allowable Wall Heights

	Member	Spacing (in) o.c.	5psf		
			L/120	L/240	L/360
			4" Structural Framing		
400S200-33		12	27' 8"	21' 11"	19' 2"
		16	25' 1"	19' 11"	17' 5"
		24	20' 10"	17' 5"	15' 2"
400S200-43		12	30' 2"	23' 11"	20' 11"
		16	27' 5"	21' 9"	19' 0"
		24	23' 11"	19' 0"	16' 7"
400S200-54		12	32' 4"	25' 8"	22' 5"
		16	29' 5"	23' 4"	20' 5"
		24	25' 8"	20' 5"	17' 10"
400S200-68		12	34' 8"	27' 6"	24' 0"
		16	31' 6"	25' 0"	21' 10"
		24	27' 6"	21' 10"	19' 1"
400S200-97		12	38' 5"	30' 6"	26' 7"
		16	34' 10"	27' 8"	24' 2"
		24	30' 6"	24' 2"	21' 1"
400S250-43		12	31' 9"	25' 3"	22' 0"
		16	28' 10"	22' 11"	20' 0"
		24	25' 3"	20' 0"	17' 6"
400S250-54		12	34' 0"	27' 0"	23' 7"
		16	30' 10"	24' 6"	21' 5"
		24	27' 0"	21' 5"	18' 8"
400S250-68		12	36' 7"	29' 0"	25' 4"
		16	33' 3"	26' 4"	23' 0"
		24	29' 0"	23' 0"	20' 1"
400S250-97		12	40' 7"	32' 2"	28' 1"
		16	36' 10"	29' 3"	25' 7"
		24	32' 2"	25' 7"	22' 4"

Notes

*Please see page 18 for notes.

Complies with AISI S100-16 (2020) w/S2-20 · IBC 2021

Interior Wall Heights

	Member	Spacing (in) o.c.	5 psf		
			L/120	L/240	L/360
5-1/2" Structural Framing	550S137-33	12	31' 7"	25' 7"	22' 5"
		16	27' 4"	23' 3"	20' 4"
		24	22' 4"	20' 4"	17' 9"
	550S137-43	12	35' 2"	27' 11"	24' 4"
		16	31' 11"	25' 4"	22' 2"
		24	26' 9"	22' 2"	19' 4"
	550S137-54	12	37' 8"	29' 11"	26' 1"
		16	34' 3"	27' 2"	23' 9"
		24	29' 11"	23' 9"	20' 9"
	550S137-68	12	40' 4"	32' 0"	28' 0"
		16	36' 8"	29' 1"	25' 5"
		24	32' 0"	25' 5"	22' 2"
	550S137-97	12	44' 7"	35' 5"	30' 11"
		16	40' 6"	32' 2"	28' 1"
		24	35' 5"	28' 1"	24' 6"
	550S162-33	12	33' 8"	26' 9"	23' 4"
		16	29' 5"	24' 4"	21' 3"
		24	24' 0"	21' 3"	18' 6"
	550S162-43	12	36' 8"	29' 1"	25' 5"
		16	33' 4"	26' 5"	23' 1"
		24	29' 1"	23' 1"	20' 2"
	550S162-54	12	39' 4"	31' 3"	27' 3"
		16	35' 9"	28' 5"	24' 9"
		24	31' 3"	24' 9"	21' 8"
550S162-68	12	42' 2"	33' 6"	29' 3"	
	16	38' 4"	30' 5"	26' 7"	
	24	33' 6"	26' 7"	23' 3"	
550S162-97	12	46' 9"	37' 1"	32' 5"	
	16	42' 5"	33' 8"	29' 5"	
	24	37' 1"	29' 5"	25' 8"	

Allowable Wall Heights

	Member	Spacing (in) o.c.	5psf		
			L/120	L/240	L/360
5-1/2" Structural Framing	550S200-33	12	35' 4"	28' 0"	24' 6"
		16	31' 4"	25' 5"	22' 3"
		24	25' 7"	22' 3"	19' 5"
	550S200-43	12	38' 7"	30' 7"	26' 9"
		16	35' 1"	27' 10"	24' 4"
		24	30' 6"	24' 4"	21' 3"
	550S200-54	12	41' 5"	32' 10"	28' 8"
		16	37' 7"	29' 10"	26' 1"
		24	32' 10"	26' 1"	22' 9"
	550S200-68	12	44' 5"	35' 3"	30' 10"
		16	40' 4"	32' 0"	28' 0"
		24	35' 3"	28' 0"	24' 5"
	550S200-97	12	49' 3"	39' 1"	34' 2"
		16	44' 9"	35' 6"	31' 1"
		24	39' 1"	31' 1"	27' 1"
	550S250-43	12	40' 5"	32' 1"	28' 1"
		16	36' 9"	29' 2"	25' 6"
		24	31' 4"	25' 6"	22' 3"
	550S250-54	12	43' 3"	34' 4"	30' 0"
		16	39' 3"	31' 2"	27' 3"
		24	34' 4"	27' 3"	23' 10"
	550S250-68	12	46' 7"	37' 0"	32' 4"
		16	42' 4"	33' 7"	29' 4"
		24	37' 0"	29' 4"	25' 8"
550S250-97	12	51' 10"	41' 2"	35' 11"	
	16	47' 1"	37' 4"	32' 8"	
	24	41' 2"	32' 8"	28' 6"	

Notes

*Please see page 18 for notes.

Complies with AISI S100-16 (2020) w/S2-20 · IBC 2021

Interior Wall Heights

	Member	Spacing (in) o.c.	5 psf		
			L/120	L/240	L/360
6" Structural Framing	600S137-33	12	33' 1"	27' 3"	23' 10"
		16	28' 7"	24' 9"	21' 8"
		24	23' 4"	21' 8"	18' 11"
	600S137-43	12	37' 8"	29' 11"	26' 2"
		16	34' 3"	27' 2"	23' 9"
		24	28' 1"	23' 9"	20' 9"
	600S137-54	12	40' 5"	32' 1"	28' 0"
		16	36' 9"	29' 2"	25' 6"
		24	32' 1"	25' 6"	22' 3"
	600S137-68	12	43' 4"	34' 4"	30' 0"
		16	39' 4"	31' 3"	27' 3"
		24	34' 4"	27' 3"	23' 10"
	600S137-97	12	47' 11"	38' 0"	33' 2"
		16	43' 6"	34' 6"	30' 2"
		24	38' 0"	30' 2"	26' 4"
	600S162-33	12	35' 6"	28' 8"	25' 0"
		16	30' 9"	26' 0"	22' 9"
		24	25' 2"	22' 9"	19' 10"
	600S162-43	12	39' 4"	31' 2"	27' 3"
		16	35' 9"	28' 4"	24' 9"
		24	31' 1"	24' 9"	21' 8"
	600S162-54	12	42' 2"	33' 6"	29' 3"
		16	38' 4"	30' 5"	26' 7"
		24	33' 6"	26' 7"	23' 3"
	600S162-68	12	45' 3"	35' 11"	31' 4"
		16	41' 1"	32' 7"	28' 6"
		24	35' 11"	28' 6"	24' 11"
	600S162-97	12	50' 1"	39' 9"	34' 9"
		16	45' 6"	36' 2"	31' 7"
		24	39' 9"	31' 7"	27' 7"

Allowable Wall Heights

	Member	Spacing (in) o.c.	5psf		
			L/120	L/240	L/360
6" Structural Framing	600S200-33	12	37' 9"	30' 0"	26' 2"
		16	32' 10"	27' 3"	23' 10"
		24	26' 10"	23' 10"	20' 10"
	600S200-43	12	41' 3"	32' 9"	28' 7"
		16	37' 6"	29' 9"	26' 0"
		24	32' 0"	26' 0"	22' 9"
	600S200-54	12	44' 4"	35' 2"	30' 9"
		16	40' 3"	32' 0"	27' 11"
		24	35' 2"	27' 11"	24' 5"
	600S200-68	12	47' 7"	37' 9"	33' 0"
		16	43' 2"	34' 4"	29' 11"
		24	37' 9"	29' 11"	26' 2"
	600S200-97	12	52' 10"	41' 11"	36' 7"
		16	48' 0"	38' 1"	33' 3"
		24	41' 11"	33' 3"	29' 1"
	600S250-43	12	43' 3"	34' 4"	30' 0"
		16	39' 3"	31' 2"	27' 3"
		24	32' 11"	27' 3"	23' 10"
	600S250-54	12	46' 3"	36' 8"	32' 1"
		16	42' 0"	33' 4"	29' 1"
		24	36' 8"	29' 1"	25' 5"
	600S250-68	12	49' 10"	39' 7"	34' 7"
		16	45' 3"	35' 11"	31' 5"
		24	39' 7"	31' 5"	27' 5"
	600S250-97	12	55' 5"	44' 0"	38' 5"
		16	50' 4"	40' 0"	34' 11"
		24	44' 0"	34' 11"	30' 6"

Notes

*Please see page 18 for notes.

Complies with AISI S100-16 (2020) w/S2-20 · IBC 2021

Interior Wall Heights

	Member	Spacing (in) o.c.	5 psf		
			L/120	L/240	L/360
			8" Structural Framing		
800S137-33'		12	37' 10"	34' 0"	29' 8"
		16	32' 9"	30' 11"	27' 0"
		24	26' 9"	26' 9"	23' 7"
800S137-43		12	45' 11"	37' 5"	32' 8"
		16	39' 9"	34' 0"	29' 9"
		24	32' 5"	29' 9"	25' 11"
800S137-54		12	50' 9"	40' 3"	35' 2"
		16	46' 1"	36' 7"	31' 11"
		24	40' 3"	31' 11"	27' 11"
800S137-68		12	54' 10"	43' 6"	38' 0"
		16	49' 10"	39' 6"	34' 6"
		24	43' 6"	34' 6"	30' 2"
800S137-97		12	60' 10"	48' 4"	42' 2"
		16	55' 4"	43' 11"	38' 4"
		24	48' 4"	38' 4"	33' 6"
800S162-33'		12	41' 0"	35' 5"	30' 11"
		16	35' 6"	32' 2"	28' 1"
		24	29' 0" e	28' 1"	24' 7"
800S162-43		12	49' 1"	38' 11"	34' 0"
		16	42' 10"	35' 4"	30' 11"
		24	35' 0"	30' 11"	27' 0"
800S162-54		12	52' 9"	41' 10"	36' 7"
		16	47' 11"	38' 1"	33' 3"
		24	41' 10"	33' 3"	29' 0"
800S162-68		12	57' 0"	45' 3"	39' 6"
		16	51' 10"	41' 1"	35' 11"
		24	45' 3"	35' 11"	31' 5"
800S162-97		12	63' 5"	50' 4"	43' 11"
		16	57' 7"	45' 9"	39' 11"
		24	50' 4"	39' 11"	34' 11"

Allowable Wall Heights

	Member	Spacing (in) o.c.	5psf		
			L/120	L/240	L/360
			8" Structural Framing		
800S200-33'		12	44' 0"	37' 9"	33' 0"
		16	38' 1"	34' 3"	29' 11"
		24	31' 1" e	29' 11" e	26' 2"
800S200-43		12	51' 10"	41' 1"	35' 11"
		16	45' 10"	37' 4"	32' 8"
		24	37' 5"	32' 8"	28' 6"
800S200-54		12	55' 8"	44' 2"	38' 7"
		16	50' 7"	40' 2"	35' 1"
		24	44' 2"	35' 1"	30' 8"
800S200-68		12	59' 9"	47' 5"	41' 5"
		16	54' 4"	43' 1"	37' 8"
		24	47' 5"	37' 8"	32' 11"
800S200-97		12	66' 6"	52' 9"	46' 1"
		16	60' 5"	47' 11"	41' 11"
		24	52' 9"	41' 11"	36' 7"
800S250-43		12	54' 0"	42' 11"	37' 6"
		16	47' 0"	39' 0"	34' 0"
		24	38' 4"	34' 0"	29' 9"
800S250-54		12	57' 10"	45' 11"	40' 1"
		16	52' 7"	41' 8"	36' 5"
		24	45' 11"	36' 5"	31' 10"
800S250-68		12	62' 4"	49' 6"	43' 3"
		16	56' 8"	44' 11"	39' 3"
		24	49' 6"	39' 3"	34' 4"
800S250-97		12	69' 6"	55' 2"	48' 2"
		16	63' 2"	50' 1"	43' 9"
		24	55' 2"	43' 9"	38' 3"

Notes

*Please see page 18 for notes.

Complies with AISI S100-16 (2020) w/S2-20 · IBC 2021

LIMITING WALL HEIGHTS

Curtain Wall / Single Span

Stud Member	Spacing, in. oc	Fy, ksi	15 psf			20 psf			25 psf			30 psf			35 psf			40 psf		
			L/240	L/360	L/600	L/240	L/360	L/600	L/240	L/360	L/600	L/240	L/360	L/600	L/240	L/360	L/600	L/240	L/360	L/600
			362S137-33	12	33	14'-5"	12'-7"	10'-7"	12'-7"	11'-5"	9'-8"	11'-3"	10'-7"	8'-11"	10'-3"	10'-0"	8'-5"	9'-6"	8'-0"	8'-11"
16	12'-7"	11'-5"		9'-8"		10'-11"	10'-5"	8'-9"	9'-9"	9'-8"	8'-2"	8'-11"	8'-11"	7'-8"	8'-3"	8'-3"	7'-3"	7'-8"	7'-8"	6'-11"
24	10'-3"	10'-0"		8'-5"		8'-11"	8'-11"	7'-8"	7'-11"	7'-11"	7'-1"	7'-3"	7'-3"	6'-8"	6'-9"	6'-9"	6'-4"	6'-3"	6'-3"	6'-1"
362S137-43	12	33	15'-8"	13'-8"	11'-7"	14'-3"	12'-5"	10'-6"	13'-2"	11'-7"	9'-9"	12'-0"	10'-10"	9'-2"	11'-1"	10'-4"	8'-8"	10'-5"	9'-10"	8'-4"
	16		14'-3"	12'-5"	10'-6"	12'-9"	11'-4"	9'-6"	11'-5"	10'-6"	8'-10"	10'-5"	9'-10"	8'-4"	9'-7"	9'-5"	7'-11"	9'-0"	9'-0"	7'-7"
	24		12'-0"	10'-10"	9'-2"	10'-5"	9'-10"	8'-4"	9'-4"	9'-2"	7'-9"	8'-6"	8'-6"	7'-3"	7'-10"	7'-10"	6'-11"	7'-4"	7'-4"	6'-7"
362S137-54	12	33	16'-9"	14'-8"	12'-4"	15'-3"	13'-4"	11'-3"	14'-2"	12'-4"	10'-5"	13'-4"	11'-8"	9'-10"	12'-8"	11'-1"	9'-4"	12'-1"	10'-7"	8'-11"
	16		15'-3"	13'-4"	11'-3"	13'-10"	12'-1"	10'-2"	12'-10"	11'-3"	9'-6"	12'-1"	10'-7"	8'-11"	11'-3"	10'-0"	8'-6"	10'-6"	9'-7"	8'-1"
	24		13'-4"	11'-8"	9'-10"	12'-1"	10'-7"	8'-11"	11'-3"	9'-10"	8'-3"	9'-11"	9'-3"	7'-9"	9'-2"	8'-9"	7'-5"	8'-7"	8'-5"	7'-1"

Notes
*Please see page 18 for notes.

Complies with the 2021 International Building Code and AISI S100-16/S2-20

LIMITING WALL HEIGHTS

Curtain Wall / Single Span

Stud Member	Spacing, in. oc	Fy, ksi	15 psf			20 psf			25 psf			30 psf			35 psf			40 psf			
			L/240	L/600	L/240	L/360	L/600	L/240	L/360	L/600	L/240	L/360	L/600	L/240	L/600	L/240	L/360	L/600	L/240	L/360	L/600
			12	22-7"e	19-11"e	19-6"e	19-6"e	18-1"e	17-6"e	17-6"e	16-9"e	15-11"e	15-11"e	15-9"e	14-9"e	14-9"e	13-10"e	13-10"e	12-9"e	12-9"e	12-0"e

Notes

*Please see page 18 for notes.

Complies with the 2021 International Building Code and AISI S100-16/S2-20

LIMITING WALL HEIGHTS

Curtain Wall / Single Span																				
Stud Member	Spacing, in, oc	Fy, ksi	15 psf			20 psf			25 psf			30 psf			35 psf			40 psf		
			L/240	L/360	L/600	L/240	L/360	L/600	L/240	L/360	L/600	L/240	L/360	L/600	L/240	L/360	L/600	L/240	L/360	L/600
800S300-97	12	50	44'-7"	38'-11"	32'-10"	40'-6"	35'-5"	29'-10"	37'-7"	32'-10"	27'-8"	35'-5"	30'-11"	26'-1"	33'-7"	29'-4"	24'-9"	32'-2"	28'-1"	23'-8"
	16		40'-6"	35'-5"	29'-10"	36'-10"	32'-2"	27'-1"	34'-2"	29'-10"	25'-2"	32'-2"	28'-1"	23'-8"	30'-6"	26'-8"	22'-6"	29'-2"	25'-6"	21'-6"
	24		35'-5"	30'-11"	26'-1"	32'-2"	28'-1"	23'-8"	29'-10"	26'-1"	22'-0"	28'-1"	24'-6"	20'-8"	26'-8"	23'-4"	19'-8"	25'-6"	22'-3"	18'-10"
800S300-118	12	50	47'-6"	41'-6"	35'-0"	43'-2"	37'-8"	31'-10"	40'-1"	35'-0"	29'-6"	37'-8"	32'-11"	27'-9"	35'-10"	31'-3"	26'-5"	34'-3"	29'-11"	25'-3"
	16		43'-2"	37'-8"	31'-10"	39'-3"	34'-3"	28'-11"	36'-5"	31'-10"	26'-10"	34'-3"	29'-11"	25'-3"	32'-7"	28'-5"	24'-0"	31'-2"	27'-2"	22'-11"
	24		37'-8"	32'-11"	27'-9"	34'-3"	29'-11"	25'-3"	31'-10"	27'-9"	23'-5"	29'-11"	26'-2"	22'-1"	28'-5"	24'-10"	20'-11"	27'-2"	23'-9"	20'-0"
800S350-54	12	33	39'-0"	34'-1"	28'-9"	35'-5" ^e	30'-11"	26'-1"	32'-11" ^e	28'-9" ^e	24'-3"	30'-5" ^e	27'-0" ^e	22'-10" ^e	28'-2" ^e	25'-8" ^e	21'-8" ^e	26'-4" ^e	24'-7" ^e	20'-9" ^e
	16		35'-5" ^e	30'-11"	26'-1"	32'-2" ^e	28'-1" ^e	23'-9"	28'-11" ^e	26'-1" ^e	22'-0" ^e	26'-4" ^e	24'-7" ^e	20'-9" ^e	24'-5" ^e	23'-4" ^e	19'-8" ^e	22'-10" ^e	22'-4" ^e	18'-10" ^e
	24		30'-5" ^e	27'-0" ^e	22'-10" ^e	26'-4" ^e	24'-7" ^e	20'-9" ^e	23'-7" ^e	22'-10" ^e	19'-3" ^e	21'-6" ^e	21'-5" ^e	18'-1" ^e	19'-11" ^e	19'-11" ^e	17'-2" ^e	18'-8" ^e	18'-8" ^e	16'-5" ^e
800S350-54	12	50	38'-7"	33'-9"	28'-5"	35'-1"	30'-8"	25'-10"	32'-7"	28'-5"	24'-0"	30'-8"	26'-9"	22'-7"	29'-1" ^e	25'-5"	21'-5"	27'-10" ^e	24'-4"	20'-6"
	16		35'-1"	30'-8"	25'-10"	31'-10"	27'-10"	23'-6"	29'-7"	25'-10"	21'-10"	27'-10" ^e	24'-4"	20'-6"	26'-5" ^e	23'-1" ^e	19'-6"	25'-4" ^e	22'-1" ^e	18'-8" ^e
	24		30'-8"	26'-9"	22'-7"	27'-10" ^e	24'-4"	20'-6"	25'-10" ^e	22'-7" ^e	19'-1"	24'-4" ^e	21'-3" ^e	17'-11" ^e	22'-10" ^e	20'-2" ^e	17'-0" ^e	21'-4" ^e	19'-4" ^e	16'-3" ^e
800S350-68	12	50	42'-1"	36'-9"	31'-0"	38'-3"	33'-5"	28'-2"	35'-6"	31'-0"	26'-2"	33'-5"	29'-2"	24'-7"	31'-9"	27'-9"	23'-4"	30'-4"	26'-6"	22'-4"
	16		38'-3"	33'-5"	28'-2"	34'-9"	30'-4"	25'-7"	32'-3"	28'-2"	23'-9"	30'-4"	26'-6"	22'-4"	28'-10"	25'-2"	21'-3"	27'-7"	24'-1"	20'-4"
	24		33'-5"	29'-2"	24'-7"	30'-4"	26'-6"	22'-4"	28'-2"	24'-7"	20'-9"	26'-6"	23'-2"	19'-6"	25'-2" ^e	22'-0"	18'-7"	24'-1" ^e	21'-0"	17'-9"
800S350-97	12	50	47'-1"	41'-2"	34'-8"	42'-10"	37'-5"	31'-6"	39'-9"	34'-8"	29'-3"	37'-5"	32'-8"	27'-7"	35'-6"	31'-0"	26'-2"	34'-0"	29'-8"	25'-0"
	16		42'-10"	37'-5"	31'-6"	38'-11"	34'-0"	28'-8"	36'-1"	31'-6"	26'-7"	34'-0"	29'-8"	25'-0"	32'-3"	28'-2"	23'-9"	30'-10"	27'-0"	22'-9"
	24		37'-5"	32'-8"	27'-7"	34'-0"	29'-8"	25'-0"	31'-6"	27'-7"	23'-3"	29'-8"	25'-11"	21'-10"	28'-2"	24'-7"	20'-9"	27'-0"	23'-7"	19'-10"
800S350-118	12	50	50'-0"	43'-8"	36'-10"	45'-5"	39'-8"	33'-6"	42'-2"	36'-10"	31'-1"	39'-8"	34'-8"	29'-3"	37'-9"	32'-11"	27'-9"	36'-1"	31'-6"	26'-7"
	16		45'-5"	39'-8"	33'-6"	41'-4"	36'-1"	30'-5"	38'-4"	33'-6"	28'-3"	36'-1"	31'-6"	26'-7"	34'-3"	29'-11"	25'-3"	32'-9"	28'-8"	24'-2"
	24		39'-8"	34'-8"	29'-3"	36'-1"	31'-6"	26'-7"	33'-6"	29'-3"	24'-8"	31'-6"	27'-6"	23'-3"	29'-11"	26'-2"	22'-1"	28'-8"	25'-0"	21'-1"

Notes

*Please see page 18 for notes.

Complies with the 2021 International Building Code and AISI S100-16/S2-20

LIMITING WALL HEIGHTS - CURTAIN WALL

(15 - 25 psf)										
Stud Member	Spacing, in, oc	15 psf			20 psf			25 psf		
		L/240	L/360	L/600	L/240	L/360	L/600	L/240	L/360	L/600
1000S162-43	12	31' 2" e	31' 2" e	26' 7"	27' 0" e	27' 0" e	24' 2" e	24' 1" e	24' 1" e	22' 5" e
1000S162-43	16	27' 0" e	27' 0" e	24' 2" e	23' 4" e	23' 4" e	21' 11" e	20' 11" e	20' 11" e	20' 4" e
1000S162-43	24	22' 0" e	22' 0" e	21' 1" e	19' 1" e	19' 1" e	19' 1" e	17' 1" e	17' 1" e	17' 1" e
1000S162-54	12	38' 10"	33' 11"	28' 7"	35' 4"	30' 10"	26' 0"	32' 3"	28' 7"	24' 2"
1000S162-54	16	35' 4"	30' 10"	26' 0"	31' 2"	28' 0"	23' 8"	27' 11"	26' 0"	21' 11"
1000S162-54	24	29' 5"	26' 11"	22' 9"	25' 6"	24' 6"	20' 8"	22' 9" e	22' 9" e	19' 2"
1000S162-68	12	42' 2"	36' 10"	31' 1"	38' 3"	33' 5"	28' 2"	35' 6"	31' 1"	26' 2"
1000S162-68	16	38' 3"	33' 5"	28' 2"	34' 9"	30' 5"	25' 8"	32' 3"	28' 2"	23' 9"
1000S162-68	24	33' 5"	29' 3"	24' 8"	30' 1"	26' 6"	22' 5"	26' 11"	24' 8"	20' 9"
1000S162-97	12	47' 4"	41' 4"	34' 10"	43' 0"	37' 7"	31' 8"	39' 11"	34' 10"	29' 5"
1000S162-97	16	43' 0"	37' 7"	31' 8"	39' 1"	34' 1"	28' 9"	36' 3"	31' 8"	26' 9"
1000S162-97	24	37' 7"	32' 10"	27' 8"	34' 1"	29' 10"	25' 2"	31' 8"	27' 8"	23' 4"
1000S200-43	12	33' 8" e	33' 0" e	27' 10"	29' 2" e	29' 2" e	25' 3" e	26' 1" e	26' 1" e	23' 5" e
1000S200-43	16	29' 2" e	29' 2" e	25' 3" e	25' 3" e	25' 3" e	22' 11" e	22' 7" e	22' 7" e	21' 4" e
1000S200-43	24	23' 10" e	23' 10" e	22' 1" e	20' 7" e	20' 7" e	20' 1" e	18' 5" e	18' 5" e	18' 5" e
1000S200-54	12	40' 8"	35' 6"	30' 0"	36' 11"	32' 3"	27' 3"	34' 4"	30' 0"	25' 3"
1000S200-54	16	36' 11"	32' 3"	27' 3"	33' 7"	29' 4"	24' 9"	30' 1"	27' 3"	23' 0"
1000S200-54	24	31' 9"	28' 2"	23' 9"	27' 6" e	25' 7"	21' 7"	24' 7" e	23' 9" e	20' 1"
1000S200-68	12	44' 0"	38' 5"	32' 5"	40' 0"	34' 11"	29' 6"	37' 2"	32' 5"	27' 4"
1000S200-68	16	40' 0"	34' 11"	29' 6"	36' 4"	31' 9"	26' 9"	33' 9"	29' 6"	24' 10"
1000S200-68	24	34' 11"	30' 6"	25' 9"	31' 9"	27' 9"	23' 5"	28' 10"	25' 9"	21' 9"
1000S200-97	12	49' 5"	43' 2"	36' 5"	44' 11"	39' 3"	33' 1"	41' 8"	36' 5"	30' 9"
1000S200-97	16	44' 11"	39' 3"	33' 1"	40' 10"	35' 8"	30' 1"	37' 10"	33' 1"	27' 11"
1000S200-97	24	39' 3"	34' 3"	28' 11"	35' 8"	31' 2"	26' 3"	33' 1"	28' 11"	24' 5"
1000S250-43	12	34' 8" e	34' 8" e	29' 5"	30' 0" e	30' 0" e	26' 9" e	26' 10" e	26' 10" e	24' 10" e
1000S250-43	16	30' 0" e	30' 0" e	26' 9" e	26' 0" e	26' 0" e	24' 3" e	23' 3" e	23' 3" e	22' 7" e
1000S250-43	24	24' 6" e	24' 6" e	23' 4" e	21' 3" e	21' 3" e	21' 3" e	19' 0" e	19' 0" e	19' 0" e
1000S250-54	12	42' 11"	37' 6"	31' 7"	39' 0"	34' 1"	28' 9"	35' 8"	31' 7"	26' 8"
1000S250-54	16	39' 0"	34' 1"	28' 9"	34' 7"	30' 11"	26' 1"	30' 11"	28' 9"	24' 3"
1000S250-54	24	32' 7"	29' 9"	25' 1"	28' 3" e	27' 0" e	22' 10"	25' 3" e	25' 1" e	21' 2" e
1000S250-68	12	46' 2"	40' 4"	34' 0"	41' 11"	36' 8"	30' 11"	38' 11"	34' 0"	28' 8"
1000S250-68	16	41' 11"	36' 8"	30' 11"	38' 1"	33' 3"	28' 1"	35' 4"	30' 11"	26' 1"
1000S250-68	24	36' 8"	32' 0"	27' 0"	33' 2"	29' 1"	24' 6"	29' 8"	27' 0"	22' 9"
1000S250-97	12	51' 6"	44' 11"	37' 11"	46' 9"	40' 10"	34' 5"	43' 5"	37' 11"	32' 0"
1000S250-97	16	46' 9"	40' 10"	34' 5"	42' 6"	37' 1"	31' 4"	39' 5"	34' 5"	29' 1"
1000S250-97	24	40' 10"	35' 8"	30' 1"	37' 1"	32' 5"	27' 4"	34' 5"	30' 1"	25' 5"
1000S300-54	12	43' 9"	38' 3"	32' 3"	39' 9"	34' 9"	29' 4"	36' 3"	32' 3"	27' 2"
1000S300-54	16	39' 9"	34' 9"	29' 4"	35' 1"	31' 7"	26' 8"	31' 5" e	29' 4"	24' 9"
1000S300-54	24	33' 1"	30' 4"	25' 7"	28' 8" e	27' 7" e	23' 3"	25' 8" e	25' 7" e	21' 7" e
1000S300-68	12	47' 5"	41' 5"	34' 11"	43' 1"	37' 8"	31' 9"	40' 0"	34' 11"	29' 6"
1000S300-68	16	43' 1"	37' 8"	31' 9"	39' 2"	34' 3"	28' 10"	36' 4"	31' 9"	26' 9"
1000S300-68	24	37' 8"	32' 11"	27' 9"	33' 9"	29' 11"	25' 2"	30' 2"	27' 9"	23' 5"
1000S300-97	12	53' 1"	46' 5"	39' 1"	48' 3"	42' 2"	35' 7"	44' 9"	39' 1"	33' 0"
1000S300-97	16	48' 3"	42' 2"	35' 7"	43' 10"	38' 3"	32' 4"	40' 8"	35' 7"	30' 0"
1000S300-97	24	42' 2"	36' 10"	31' 1"	38' 3"	33' 5"	28' 3"	35' 7"	31' 1"	26' 2"

Notes

*Please see page 18 for table notes.

Complies with the 2021 International Building Code and AISI S100-16/S2-20

LIMITING WALL HEIGHTS - CURTAIN WALL

(15 - 25 psf)										
Stud Member	Spacing, in, oc	15 psf			20 psf			25 psf		
		L/240	L/360	L/600	L/240	L/360	L/600	L/240	L/360	L/600
1200S162-54	12	44' 8"	39' 1"	32' 11"	38' 10"	35' 6"	29' 11"	34' 9"	32' 11"	27' 9"
1200S162-54	16	38' 10"	35' 6"	29' 11"	33' 7"	32' 3"	27' 2"	30' 1"	29' 11"	25' 3"
1200S162-54	24	31' 8"	31' 0"	26' 2"	27' 5" e	27' 5" e	23' 9"	24' 7" e	24' 7" e	22' 1" e
1200S162-68	12	48' 7"	42' 6"	35' 10"	44' 2"	38' 7"	32' 6"	41' 0"	35' 10"	30' 2"
1200S162-68	16	44' 2"	38' 7"	32' 6"	39' 11"	35' 1"	29' 7"	35' 8"	32' 6"	27' 5"
1200S162-68	24	37' 8"	33' 8"	28' 5"	32' 7"	30' 7"	25' 10"	29' 2"	28' 5"	24' 0"
1200S162-97	12	55' 1"	48' 1"	40' 7"	50' 0"	43' 8"	36' 10"	46' 5"	40' 7"	34' 3"
1200S162-97	16	50' 0"	43' 8"	36' 10"	45' 5"	39' 8"	33' 6"	42' 2"	36' 10"	31' 1"
1200S162-97	24	43' 8"	38' 2"	32' 2"	39' 8"	34' 8"	29' 3"	36' 10"	32' 2"	27' 2"
1200S200-54	12	46' 9"	40' 10"	34' 5"	42' 2"	37' 1"	31' 3"	37' 8"	34' 5"	29' 0"
1200S200-54	16	42' 2"	37' 1"	31' 3"	36' 6"	33' 8"	28' 5"	32' 8" e	31' 3" e	26' 5"
1200S200-54	24	34' 5" e	32' 5"	27' 4"	29' 10" e	29' 5" e	24' 10"	26' 8" e	26' 8" e	23' 1" e
1200S200-68	12	50' 8"	44' 3"	37' 4"	46' 1"	40' 3"	33' 11"	42' 9"	37' 4"	31' 6"
1200S200-68	16	46' 1"	40' 3"	33' 11"	41' 10"	36' 7"	30' 10"	38' 7"	33' 11"	28' 7"
1200S200-68	24	40' 3"	35' 2"	29' 8"	35' 2"	31' 11"	26' 11"	31' 6" e	29' 8"	25' 0"
1200S200-97	12	57' 4"	50' 1"	42' 3"	52' 1"	45' 6"	38' 5"	48' 4"	42' 3"	35' 8"
1200S200-97	16	52' 1"	45' 6"	38' 5"	47' 4"	41' 4"	34' 10"	43' 11"	38' 5"	32' 4"
1200S200-97	24	45' 6"	39' 9"	33' 6"	41' 4"	36' 1"	30' 6"	38' 5"	33' 6"	28' 3"
1200S250-54	12	48' 8"	42' 6"	35' 10"	43' 7"	38' 7"	32' 7"	38' 11"	35' 10"	30' 3"
1200S250-54	16	43' 7"	38' 7"	32' 7"	37' 9"	35' 1"	29' 7"	33' 9" e	32' 7" e	27' 6"
1200S250-54	24	35' 7" e	33' 9" e	28' 5"	30' 10" e	30' 8" e	25' 10" e	27' 7" e	27' 7" e	24' 0" e
1200S250-68	12	52' 10"	46' 1"	38' 11"	48' 0"	41' 11"	35' 4"	44' 6"	38' 11"	32' 10"
1200S250-68	16	48' 0"	41' 11"	35' 4"	43' 7"	38' 1"	32' 1"	39' 10"	35' 4"	29' 10"
1200S250-68	24	41' 11"	36' 7"	30' 11"	36' 4"	33' 3"	28' 1"	32' 6" e	30' 11"	26' 1"
1200S250-97	12	59' 7"	52' 0"	43' 11"	54' 1"	47' 3"	39' 10"	50' 3"	43' 11"	37' 0"
1200S250-97	16	54' 1"	47' 3"	39' 10"	49' 2"	42' 11"	36' 3"	45' 8"	39' 10"	33' 8"
1200S250-97	24	47' 3"	41' 4"	34' 10"	42' 11"	37' 6"	31' 8"	39' 10"	34' 10"	29' 5"
1200S300-54	12	50' 10"	44' 5"	37' 5"	44' 5"	40' 4"	34' 0"	39' 9"	37' 5"	31' 7"
1200S300-54	16	44' 5"	40' 4"	34' 0"	38' 5" e	36' 8"	30' 11"	34' 5" e	34' 0" e	28' 8"
1200S300-54	24	36' 3" e	35' 3" e	29' 9"	31' 5" e	31' 5" e	27' 0" e	28' 1" e	28' 1" e	25' 1" e
1200S300-68	12	54' 11"	48' 0"	40' 5"	49' 11"	43' 7"	36' 9"	46' 4"	40' 5"	34' 1"
1200S300-68	16	49' 11"	43' 7"	36' 9"	45' 4"	39' 7"	33' 5"	40' 7"	36' 9"	31' 0"
1200S300-68	24	42' 10"	38' 1"	32' 1"	37' 1"	34' 7"	29' 2"	33' 2" e	32' 1" e	27' 1"
1200S300-97	12	61' 5"	53' 8"	45' 3"	55' 9"	48' 9"	41' 1"	51' 10"	45' 3"	38' 2"
1200S300-97	16	55' 9"	48' 9"	41' 1"	50' 8"	44' 3"	37' 4"	47' 1"	41' 1"	34' 8"
1200S300-97	24	48' 9"	42' 7"	35' 11"	44' 3"	38' 8"	32' 8"	41' 1"	35' 11"	30' 3"

Notes

*Please see page 18 for table notes.

Complies with the 2021 International Building Code and AISI S100-16/S2-20

LIMITING WALL HEIGHTS - CURTAIN WALL

(30 - 40 psf)										
Stud Member	Spacing, in, oc	30 psf			35 psf			40 psf		
		L/240	L/360	L/600	L/240	L/360	L/600	L/240	L/360	L/600
1000S162-43	12	22' 0" e	22' 0" e	21' 1" e	20' 5" e	20' 5" e	20' 1" e	19' 1" e	19' 1" e	19' 1" e
1000S162-43	16	19' 1" e	19' 1" e	19' 1" e	17' 8" e	17' 8" e	17' 8" e	16' 6" e	16' 6" e	16' 6" e
1000S162-43	24	15' 7" e	15' 7" e	15' 7" e	14' 5" e	14' 5" e	14' 5" e	13' 6" e	13' 6" e	13' 6" e
1000S162-54	12	29' 5" e	26' 11" e	22' 9" e	27' 3" e	25' 7" e	21' 7" e	25' 6" e	24' 6" e	20' 8" e
1000S162-54	16	25' 6" e	24' 6" e	20' 8" e	23' 7" e	23' 3" e	19' 7" e	22' 1" e	22' 1" e	18' 9" e
1000S162-54	24	20' 10" e	20' 10" e	18' 0" e	19' 3" e	19' 3" e	17' 2" e	18' 0" e	18' 0" e	16' 5" e
1000S162-68	12	33' 5" e	29' 3" e	24' 8" e	31' 9" e	27' 9" e	23' 5" e	30' 1" e	26' 6" e	22' 5" e
1000S162-68	16	30' 1" e	26' 6" e	22' 5" e	27' 10" e	25' 3" e	21' 3" e	26' 0" e	24' 1" e	20' 4" e
1000S162-68	24	24' 6" e	23' 2" e	19' 7" e	22' 9" e	22' 0" e	18' 7" e	21' 3" e	21' 1" e	17' 9" e
1000S162-97	12	37' 7" e	32' 10" e	27' 8" e	35' 8" e	31' 2" e	26' 3" e	34' 1" e	29' 10" e	25' 2" e
1000S162-97	16	34' 1" e	29' 10" e	25' 2" e	32' 5" e	28' 4" e	23' 11" e	31' 0" e	27' 1" e	22' 10" e
1000S162-97	24	29' 10" e	26' 0" e	22' 0" e	28' 4" e	24' 9" e	20' 10" e	27' 1" e	23' 8" e	19' 11" e
1000S200-43	12	23' 10" e	23' 10" e	22' 1" e	22' 0" e	22' 0" e	21' 0" e	20' 7" e	20' 7" e	20' 1" e
1000S200-43	16	20' 7" e	20' 7" e	20' 1" e	19' 1" e	19' 1" e	19' 1" e	17' 10" e	17' 10" e	17' 10" e
1000S200-43	24	16' 10" e	16' 10" e	16' 10" e	15' 7" e	15' 7" e	15' 7" e	14' 7" e	14' 7" e	14' 7" e
1000S200-54	12	31' 9" e	28' 2" e	23' 9" e	29' 4" e	26' 9" e	22' 7" e	27' 6" e	25' 7" e	21' 7" e
1000S200-54	16	27' 6" e	25' 7" e	21' 7" e	25' 5" e	24' 4" e	20' 6" e	23' 9" e	23' 3" e	19' 8" e
1000S200-54	24	22' 5" e	22' 5" e	18' 10" e	20' 9" e	20' 9" e	17' 11" e	19' 5" e	19' 5" e	17' 2" e
1000S200-68	12	34' 11" e	30' 6" e	25' 9" e	33' 2" e	29' 0" e	24' 5" e	31' 9" e	27' 9" e	23' 5" e
1000S200-68	16	31' 9" e	27' 9" e	23' 5" e	29' 11" e	26' 4" e	22' 3" e	27' 11" e	25' 2" e	21' 3" e
1000S200-68	24	26' 4" e	24' 3" e	20' 5" e	24' 5" e	23' 0" e	19' 5" e	22' 10" e	22' 0" e	18' 7" e
1000S200-97	12	39' 3" e	34' 3" e	28' 11" e	37' 3" e	32' 7" e	27' 5" e	35' 8" e	31' 2" e	26' 3" e
1000S200-97	16	35' 8" e	31' 2" e	26' 3" e	33' 10" e	29' 7" e	24' 11" e	32' 5" e	28' 3" e	23' 10" e
1000S200-97	24	31' 2" e	27' 2" e	22' 11" e	29' 7" e	25' 10" e	21' 9" e	28' 3" e	24' 9" e	20' 10" e
1000S250-43	12	24' 6" e	24' 6" e	23' 4" e	22' 8" e	22' 8" e	22' 2" e	21' 3" e	21' 3" e	21' 3" e
1000S250-43	16	21' 3" e	21' 3" e	21' 3" e	19' 8" e	19' 8" e	19' 8" e	18' 4" e	18' 4" e	18' 4" e
1000S250-43	24	17' 4" e	17' 4" e	17' 4" e	16' 0" e	16' 0" e	16' 0" e	15' 0" e	15' 0" e	15' 0" e
1000S250-54	12	32' 7" e	29' 9" e	25' 1" e	30' 2" e	28' 3" e	23' 10" e	28' 3" e	27' 0" e	22' 10" e
1000S250-54	16	28' 3" e	27' 0" e	22' 10" e	26' 2" e	25' 8" e	21' 8" e	24' 5" e	24' 5" e	20' 9" e
1000S250-54	24	23' 1" e	23' 1" e	19' 11" e	21' 4" e	21' 4" e	18' 11" e	19' 11" e	19' 11" e	18' 1" e
1000S250-68	12	36' 8" e	32' 0" e	27' 0" e	34' 10" e	30' 5" e	25' 8" e	33' 2" e	29' 1" e	24' 6" e
1000S250-68	16	33' 2" e	29' 1" e	24' 6" e	30' 9" e	27' 7" e	23' 4" e	28' 9" e	26' 5" e	22' 3" e
1000S250-68	24	27' 1" e	25' 5" e	21' 5" e	25' 1" e	24' 1" e	20' 4" e	23' 6" e	23' 1" e	19' 6" e
1000S250-97	12	40' 10" e	35' 8" e	30' 1" e	38' 10" e	33' 11" e	28' 7" e	37' 1" e	32' 5" e	27' 4" e
1000S250-97	16	37' 1" e	32' 5" e	27' 4" e	35' 3" e	30' 10" e	26' 0" e	33' 9" e	29' 5" e	24' 10" e
1000S250-97	24	32' 5" e	28' 4" e	23' 11" e	30' 10" e	26' 11" e	22' 8" e	29' 5" e	25' 9" e	21' 8" e
1000S300-54	12	33' 1" e	30' 4" e	25' 7" e	30' 8" e	28' 10" e	24' 4" e	28' 8" e	27' 7" e	23' 3" e
1000S300-54	16	28' 8" e	27' 7" e	23' 3" e	26' 7" e	26' 2" e	22' 1" e	24' 10" e	24' 10" e	21' 2" e
1000S300-54	24	23' 5" e	23' 5" e	20' 4" e	21' 8" e	21' 8" e	19' 4" e	20' 3" e	20' 3" e	18' 6" e
1000S300-68	12	37' 8" e	32' 11" e	27' 9" e	35' 9" e	31' 3" e	26' 4" e	33' 9" e	29' 11" e	25' 2" e
1000S300-68	16	33' 9" e	29' 11" e	25' 2" e	31' 3" e	28' 5" e	23' 11" e	29' 3" e	27' 2" e	22' 11" e
1000S300-68	24	27' 7" e	26' 1" e	22' 0" e	25' 6" e	24' 10" e	20' 11" e	23' 10" e	23' 9" e	20' 0" e
1000S300-97	12	42' 2" e	36' 10" e	31' 1" e	40' 0" e	35' 0" e	29' 6" e	38' 3" e	33' 5" e	28' 3" e
1000S300-97	16	38' 3" e	33' 5" e	28' 3" e	36' 4" e	31' 9" e	26' 10" e	34' 9" e	30' 5" e	25' 8" e
1000S300-97	24	33' 5" e	29' 3" e	24' 8" e	31' 9" e	27' 9" e	23' 5" e	30' 5" e	26' 7" e	22' 5" e

Notes

*Please see page 18 for table notes.

Complies with the 2021 International Building Code and AISI S100-16/S2-20

12" LIMITING WALL HEIGHTS - CURTAIN WALL

(30 - 40 psf)

Stud Member	Spacing, in, oc	30 psf				35 psf			40 psf		
		L/600	L/240	L/360	L/600	L/240	L/360	L/600	L/240	L/360	L/600
1200S162-54	12	27' 9"	31' 8"	31' 0"	26' 2"	29' 4" e	29' 4" e	24' 10"	27' 5" e	27' 5" e	23' 9"
1200S162-54	16	25' 3"	27' 5" e	27' 5" e	23' 9"	25' 5" e	25' 5" e	22' 7" e	23' 9" e	23' 9" e	21' 7" e
1200S162-54	24	22' 1" e	22' 5" e	22' 5" e	20' 9" e	20' 9" e	20' 9" e	19' 8" e	19' 5" e	19' 5" e	18' 10" e
1200S162-68	12	30' 2"	37' 8"	33' 8"	28' 5"	34' 10"	32' 0"	27' 0"	32' 7"	30' 7"	25' 10"
1200S162-68	16	27' 5"	32' 7"	30' 7"	25' 10"	30' 2"	29' 1"	24' 6"	28' 3"	27' 10"	23' 6"
1200S162-68	24	24' 0"	26' 7" e	26' 7" e	22' 7"	24' 8" e	24' 8" e	21' 5"	23' 0" e	23' 0" e	20' 6" e
1200S162-97	12	34' 3"	43' 8"	38' 2"	32' 2"	41' 6"	36' 3"	30' 7"	39' 8"	34' 8"	29' 3"
1200S162-97	16	31' 1"	39' 8"	34' 8"	29' 3"	37' 9"	32' 11"	27' 9"	36' 1"	31' 6"	26' 7"
1200S162-97	24	27' 2"	34' 5"	30' 4"	25' 7"	31' 10"	28' 9"	24' 3"	29' 10"	27' 6"	23' 3"
1200S200-54	12	29' 0"	34' 5" e	32' 5"	27' 4"	31' 10" e	30' 9" e	25' 11"	29' 10" e	29' 5" e	24' 10"
1200S200-54	16	26' 5"	29' 10" e	29' 5" e	24' 10"	27' 7" e	27' 7" e	23' 7" e	25' 10" e	25' 10" e	22' 7" e
1200S200-54	24	23' 1" e	24' 4" e	24' 4" e	21' 8" e	22' 6" e	22' 6" e	20' 7" e	21' 1" e	21' 1" e	19' 8" e
1200S200-68	12	31' 6"	40' 3"	35' 2"	29' 8"	37' 8"	33' 5"	28' 2"	35' 2"	31' 11"	26' 11"
1200S200-68	16	28' 7"	35' 2"	31' 11"	26' 11"	32' 7"	30' 4"	25' 7"	30' 6" e	29' 0"	24' 6"
1200S200-68	24	25' 0"	28' 9" e	27' 11" e	23' 6"	26' 7" e	26' 6" e	22' 4"	24' 11" e	24' 11" e	21' 5" e
1200S200-97	12	35' 8"	45' 6"	39' 9"	33' 6"	43' 3"	37' 9"	31' 10"	41' 4"	36' 1"	30' 6"
1200S200-97	16	32' 4"	41' 4"	36' 1"	30' 6"	39' 3"	34' 4"	28' 11"	37' 7"	32' 10"	27' 8"
1200S200-97	24	28' 3"	36' 1"	31' 7"	26' 7"	34' 2"	30' 0"	25' 3"	32' 0"	28' 8"	24' 2"
1200S250-54	12	30' 3"	35' 7" e	33' 9" e	28' 5"	32' 11" e	32' 0" e	27' 0"	30' 10" e	30' 8" e	25' 10" e
1200S250-54	16	27' 6"	30' 10" e	30' 8" e	25' 10" e	28' 6" e	28' 6" e	24' 7" e	26' 8" e	26' 8" e	23' 6" e
1200S250-54	24	24' 0" e	25' 2" e	25' 2" e	22' 7" e	23' 3" e	23' 3" e	21' 5" e	21' 9" e	21' 9" e	20' 6" e
1200S250-68	12	32' 10"	41' 11"	36' 7"	30' 11"	38' 10"	34' 9"	29' 4"	36' 4"	33' 3"	28' 1"
1200S250-68	16	29' 10"	36' 4"	33' 3"	28' 1"	33' 8" e	31' 7"	26' 8"	31' 6" e	30' 3" e	25' 6"
1200S250-68	24	26' 1"	29' 8" e	29' 1" e	24' 6"	27' 6" e	27' 6" e	23' 3" e	25' 9" e	25' 9" e	22' 3" e
1200S250-97	12	37' 0"	47' 3"	41' 4"	34' 10"	44' 11"	39' 3"	33' 1"	42' 11"	37' 6"	31' 8"
1200S250-97	16	33' 8"	42' 11"	37' 6"	31' 8"	40' 10"	35' 8"	30' 1"	39' 0"	34' 1"	28' 9"
1200S250-97	24	29' 5"	37' 6"	32' 9"	27' 8"	35' 4"	31' 2"	26' 3"	33' 1"	29' 9"	25' 1"
1200S300-54	12	31' 7"	36' 3" e	35' 3" e	29' 9"	33' 7" e	33' 6" e	28' 3"	31' 5" e	31' 5" e	27' 0" e
1200S300-54	16	28' 8"	31' 5" e	31' 5" e	27' 0" e	29' 1" e	29' 1" e	25' 8" e	27' 2" e	27' 2" e	24' 7" e
1200S300-54	24	25' 1" e	25' 8" e	25' 8" e	23' 7" e	23' 9" e	23' 9" e	22' 5" e	22' 2" e	22' 2" e	21' 5" e
1200S300-68	12	34' 1"	42' 10"	38' 1"	32' 1"	39' 8"	36' 2"	30' 6"	37' 1"	34' 7"	29' 2"
1200S300-68	16	31' 0"	37' 1"	34' 7"	29' 2"	34' 4" e	32' 10"	27' 9"	32' 1" e	31' 5" e	26' 6"
1200S300-68	24	27' 1"	30' 3" e	30' 3" e	25' 6"	28' 0" e	28' 0" e	24' 2" e	26' 3" e	26' 3" e	23' 2" e
1200S300-97	12	38' 2"	48' 9"	42' 7"	35' 11"	46' 4"	40' 5"	34' 1"	44' 3"	38' 8"	32' 8"
1200S300-97	16	34' 8"	44' 3"	38' 8"	32' 8"	42' 1"	36' 9"	31' 0"	40' 3"	35' 2"	29' 8"
1200S300-97	24	30' 3"	38' 8"	33' 10"	28' 6"	36' 1"	32' 1"	27' 1"	33' 9"	30' 8"	25' 11"

Notes

*Please see page 18 for table notes.

Complies with the 2021 International Building Code and AISI S100-16/S2-20

COMBINED AXIAL & LATERAL LOAD TABLES

Notes

1. Allowable axial loads listed in kips (1 kip = 1000 pounds).
2. Allowable axial loads determined in accordance with AISI S240-20, assuming that all axial loads pass through the geometric center of the section
3. Listed lateral pressures and axial loads have not been modified for load combinations or allowable stress increases based on wind/earthquake or multiple transient loads.
4. Allowable axial loads based on lateral and torsional bracing at a maximum spacing of 4 feet on center.
5. The 5 psf live load has not been reduced for deflection checks. For 15 psf or higher wind pressure, read the note below.

IBC 2021/ASCE 7-16: Due to the change in the model building codes, design wind pressures determined using IBC 2021/ASCE 7-16 are strength level loads (LRFD) in comparison to those determined in some earlier IBC codes which were service level loads (ASD). The load/span tables that follow are based on service level (ASD) wind loads. Therefore, to properly use the load/span tables in this catalog, multiply the IBC 2021/ASCE 7-16 design wind pressures by 0.6 (Reference section 2.4 ASCE 7-16) prior to entering the load/span tables.

Example:

ASCE 7-16 Calculated Design Wind Pressure = 25 psf (Strength level loads, LRFD)

Convert to service level loads (ASD) = 25 psf x 0.6 = 15 psf

Use 15 psf as the Pressure Value used in this Table to determine the member span

Any Other Building Code: The load/span tables that follow are based on service level (ASD) wind loads. If the wind load being used meets this criterion, it does not need to be modified prior to using the tables.

6. Studs are assumed to be adequately braced at a maximum spacing of L , to develop full allowable moment, M^a .
7. End supports have not been checked for web crippling. Refer to web crippling capacity tables.
8. All tables are based on simple (single) span.
9. Cells marked with an "*" have $h/t > 200$, thus require bearing stiffeners. Cells are left blank when $h/t > 260$.
10. Cells marked with an a, b, c, d, e or f meets $L/720$, $L/600$, $L/480$, $L/360$, $L/240$, or $L/120$ respectively. Blank cells do not meet $L/120$.
11. Stud distortional buckling moment based on assumed $K_c = 0$
12. Moment of inertia for deflection is optimized based on the maximum moment at service loads for the listed spans; therefore span values may be greater than spans based on effective moment of inertia listed in section property tables

Complies with the 2021 International Building Code and AISI S100-16/S2-20

COMBINED AXIAL & LATERAL LOAD TABLES

5 psf Lateral Load (Interior Walls Only)

Wall Height (ft)	Spacing (in.) o.c.	362S137-(mils)				362S162-(mils)					362S200-(mils)				
		33 ksi		50 ksi		33 ksi		50 ksi			33 ksi		50 ksi		
		33	43	54	68	33	43	54	68	97	33	43	54	68	97
8	12	1.46 a	2.08 a	3.11 a	4.05 a	1.86 a	2.52 a	3.98 a	5.11 a	7.48 a	2.26 a	3.26 a	5.05 a	7.99 a	9.2 a
	16	1.4 a	2.02 a	3.07 a	4.01 a	1.8 a	2.46 a	3.93 a	5.07 a	7.43 a	2.2 a	3.2 a	5 a	7.92 a	9.15 a
	24	1.29 a	1.91 a	2.98 a	3.93 a	1.68 a	2.35 a	3.84 a	4.98 a	7.35 a	2.06 a	3.07 a	4.88 a	7.79 a	9.06 a
9	12	1.38 a	1.98 a	2.93 a	3.82 a	1.75 a	2.38 a	3.74 a	4.78 a	6.97 a	2.14 a	3.09 a	4.72 a	7.48 a	8.54 a
	16	1.31 a	1.91 a	2.88 a	3.78 a	1.68 a	2.31 a	3.68 a	4.73 a	6.92 a	2.06 a	3.01 a	4.65 a	7.4 a	8.49 a
	24	1.17 a	1.78 a	2.77 a	3.68 a	1.53 a	2.17 a	3.56 a	4.63 a	6.81 a	1.9 a	2.85 a	4.52 a	7.24 a	8.38 a
10	12	1.28 a	1.87 a	2.72 a	3.55 a	1.63 a	2.09 a	3.47 a	4.42 a	6.41 a	2.01 a	2.9 a	4.35 a	6.88 a	7.83 a
	16	1.2 a	1.79 a	2.66 a	3.5 a	1.54 a	2.02 a	3.4 a	4.36 a	6.35 a	1.91 a	2.81 a	4.27 a	6.79 a	7.77 a
	24	1.04 a	1.62 a	2.54 a	3.39 a	1.37 a	1.86 a	3.26 a	4.24 a	6.23 a	1.72 a	2.62 a	4.12 a	6.61 a	7.64 a
12	12	1.08 a	1.6 a	2.29 a	2.98 a	1.37 a	1.99 a	2.84 a	3.62 a	5.2 a	1.71 a	2.48 a	3.54 a	5.58 a	6.33 a
	16	0.97 b	1.5 a	2.21 a	2.91 a	1.25 a	1.88 a	2.76 a	3.55 a	5.13 a	1.59 a	2.36 a	3.45 a	5.48 a	6.26 a
	24	0.76 d	1.28 c	2.05 b	2.78 a	1.03 c	1.66 b	2.59 a	3.41 a	4.99 a	1.33 c	2.13 a	3.27 a	5.27 a	6.11 a
14	12	0.85 c	1.31 b	1.86 a	2.43 a	1.09 b	1.63 a	2.28 a	2.93 a	4.17 a	1.38 a	2.05 a	2.82 a	4.45 a	5.08 a
	16	0.72 d	1.18 c	1.77 b	2.36 a	0.95 d	1.5 b	2.19 a	2.85 a	4.09 a	1.23 c	1.91 b	2.72 a	4.33 a	4.99 a
	24	0.47 e	0.93 e	1.59 d	2.21 c	0.69 e	1.23 d	2 c	2.68 b	3.93 a	0.93 d	1.63 d	2.52 c	4.1 a	4.83 a
16	12	0.63 d	1.01 d	1.49 c	1.96 b	0.82 d	1.28 c	1.82 b	2.35 a	3.35 a	1.05 c	1.62 b	2.25 a	3.56 a	4.09 a
	16	0.49 e	0.87 e	1.39 d	1.88 c	0.67 e	1.13 d	1.72 c	2.27 b	3.26 a	0.88 d	1.47 c	2.14 c	3.43 a	4 a
	24	0.2 f	0.59 f	1.2 e	1.72 e	0.37 f	0.84 e	1.52 e	2.09 d	3.1 c	0.55 e	1.16 e	1.92 d	3.18 c	3.83 b

5 psf Lateral Load (Interior Walls Only)

Wall Height (ft)	Spacing (in.) o.c.	362S250-(mils)				362S300-(mils)			600S137-(mils)				
		33 ksi		50 ksi		50 ksi			33 ksi		50 ksi ¹		
		43	54	68	97	54	68	97	33	43	54	68	97
8	12	3.72 a	5.74 a	7.52 a	10.57 a	5.79 a	8.01 a	11.82 a	1.77 a	2.51 a	3.8 a	5.03 a	7.52 a
	16	3.65 a	5.68 a	7.46 a	10.51 a	5.73 a	7.95 a	11.76 a	1.74 a	2.47 a	3.77 a	5 a	7.5 a
	24	3.51 a	5.55 a	7.34 a	10.41 a	5.61 a	7.83 a	11.65 a	1.67 a	2.41 a	3.71 a	4.95 a	7.45 a
9	12	3.56 a	5.44 a	7 a	9.83 a	5.49 a	7.51 a	11.15 a	1.75 a	2.48 a	3.77 a	5 a	7.5 a
	16	3.47 a	5.36 a	6.93 a	9.77 a	5.42 a	7.44 a	11.09 a	1.7 a	2.44 a	3.74 a	4.97 a	7.47 a
	24	3.3 a	5.22 a	6.79 a	9.64 a	5.28 a	7.29 a	10.96 a	1.61 a	2.36 a	3.67 a	4.9 a	7.41 a
10	12	3.38 a	5.1 a	6.43 a	9.05 a	5.17 a	6.99 a	10.28 a	1.71 a	2.45 a	3.75 a	4.98 a	7.48 a
	16	3.28 a	5.01 a	6.35 a	8.97 a	5.09 a	6.9 a	10.21 a	1.66 a	2.4 a	3.71 a	4.94 a	7.44 a
	24	3.08 a	4.84 a	6.2 a	8.83 a	4.92 a	6.74 a	10.06 a	1.55 a	2.3 a	3.62 a	4.86 a	7.37 a
12	12	2.91 a	4.17 a	5.25 a	7.39 a	4.55 a	5.93 a	8.45 a	1.64 a	2.38 a	3.69 a	4.93 a	7.43 a
	16	2.78 a	4.07 a	5.16 a	7.3 a	4.44 a	5.83 a	8.36 a	1.57 a	2.31 a	3.63 a	4.87 a	7.38 a
	24	2.52 a	3.86 a	4.97 a	7.13 a	4.22 a	5.62 a	8.18 a	1.41 a	2.16 a	3.51 a	4.75 a	7.27 a
14	12	2.42 a	3.33 a	4.22 a	5.95 a	3.8 a	4.85 a	6.85 a	1.56 a	2.3 a	3.63 a	4.86 a	7.37 a
	16	2.26 a	3.22 a	4.11 a	5.86 a	3.68 a	4.73 a	6.75 a	1.45 a	2.2 a	3.55 a	4.78 a	7.3 a
	24	1.95 c	2.99 b	3.9 a	5.66 a	3.42 a	4.5 a	6.54 a	1.24 a	2 a	3.38 a	4.62 a	7.15 a
16	12	1.93 a	2.66 a	3.4 a	4.82 a	3.07 a	3.92 a	5.58 a	1.45 a	2.2 a	3.55 a	4.79 a	7.3 a
	16	1.76 c	2.54 b	3.28 a	4.72 a	2.93 a	3.79 a	5.47 a	1.31 a	2.07 a	3.44 a	4.68 a	7.21 a
	24	1.41 d	2.29 d	3.06 c	4.51 a	2.66 c	3.54 b	5.25 a	1.04 c	1.81 a	3.23 a	4.47 a	7.02 a

Notes

*Please see Combined Axial and Lateral Load Table Notes on page 37.

Complies with the 2021 International Building Code and AISI S100-16/S2-20

COMBINED AXIAL & LATERAL LOAD TABLES

5 psf Lateral Load (Interior Walls Only)													
Wall Height (ft)	Spacing (in.) o.c.	600S162-(mils)						600S200-(mils)					
		33 ksi		50 ksi				33 ksi		50 ksi			
		33	43	54	68	97	118	33	43	54	68	97	118
8	12	2.44 a	3.4 a	5.59 a	7.42 a	11.35 a	14.19 a	2.86 a	4.29 a	7.35 a	9.77 a	15.24 a	19.54 a
	16	2.4 a	3.37 a	5.56 a	7.39 a	11.32 a	14.16 a	2.82 a	4.25 a	7.31 a	9.73 a	15.2 a	19.5 a
	24	2.33 a	3.3 a	5.49 a	7.33 a	11.25 a	14.09 a	2.74 a	4.17 a	7.23 a	9.65 a	15.12 a	19.42 a
9	12	2.4 a	3.37 a	5.57 a	7.4 a	11.32 a	14.17 a	2.81 a	4.22 a	7.22 a	9.62 a	15.01 a	19.25 a
	16	2.35 a	3.33 a	5.52 a	7.36 a	11.28 a	14.13 a	2.76 a	4.17 a	7.18 a	9.57 a	14.96 a	19.2 a
	24	2.26 a	3.24 a	5.44 a	7.28 a	11.2 a	14.04 a	2.66 a	4.06 a	7.08 a	9.47 a	14.87 a	19.1 a
10	12	2.35 a	3.32 a	5.52 a	7.37 a	11.29 a	14.14 a	2.75 a	4.14 a	7.07 a	9.43 a	14.73 a	18.9 a
	16	2.29 a	3.27 a	5.47 a	7.32 a	11.24 a	14.09 a	2.69 a	4.07 a	7.01 a	9.37 a	14.67 a	18.83 a
	24	2.18 a	3.16 a	5.37 a	7.22 a	11.14 a	13.98 a	2.57 a	3.95 a	6.89 a	9.25 a	14.56 a	18.71 a
12	12	2.23 a	3.18 a	5.29 a	7.16 a	11.23 a	14.07 a	2.61 a	3.94 a	6.69 a	8.94 a	14 a	17.95 a
	16	2.15 a	3.11 a	5.22 a	7.09 a	11.15 a	13.99 a	2.53 a	3.85 a	6.6 a	8.86 a	13.92 a	17.87 a
	24	1.99 a	2.96 a	5.07 a	6.96 a	11.01 a	13.84 a	2.36 a	3.67 a	6.44 a	8.69 a	13.76 a	17.7 a
14	12	2.07 a	3 a	4.96 a	6.75 a	10.8 a	13.99 a	2.44 a	3.68 a	6.19 a	8.3 a	13.04 a	16.69 a
	16	1.97 a	2.9 a	4.87 a	6.66 a	10.7 a	13.89 a	2.32 a	3.57 a	6.08 a	8.19 a	12.94 a	16.59 a
	24	1.76 a	2.71 a	4.68 a	6.49 a	10.51 a	13.68 a	2.1 a	3.34 a	5.87 a	7.98 a	12.73 a	16.37 a
16	12	1.89 a	2.78 a	4.54 a	6.22 a	9.94 a	12.85 a	2.23 a	3.38 a	5.6 a	7.55 a	11.89 a	15.19 a
	16	1.76 a	2.66 a	4.43 a	6.11 a	9.82 a	12.72 a	2.09 a	3.24 a	5.47 a	7.42 a	11.76 a	15.06 a
	24	1.5 b	2.41 a	4.21 a	5.89 a	9.59 a	12.48 a	1.81 a	2.96 a	5.22 a	7.16 a	11.52 a	14.81 a

5 psf Lateral Load (Interior Walls Only)														
Wall Height (ft)	Spacing (in.) o.c.	600S250-(mils)					600S300-(mils)				600S350-(mils)			
		33 ksi	50 ksi				50 ksi				50 ksi			
		43	54	68	97	118	54	68	97	118	54	68	97	118
8	12	4.65 a	7.59 a	10.93 a	17.91 a	22.79 a	7.9 a	11.11 a	19.22 a	24.9 a	10.21 a	14.72 a	23.85 a	31.42 a
	16	4.61 a	7.55 a	10.88 a	17.86 a	22.75 a	7.86 a	11.07 a	19.17 a	24.85 a	10.17 a	14.68 a	23.8 a	31.36 a
	24	4.52 a	7.48 a	10.8 a	17.77 a	22.65 a	7.78 a	10.98 a	19.08 a	24.76 a	10.09 a	14.59 a	23.7 a	31.26 a
9	12	4.58 a	7.47 a	10.74 a	17.58 a	22.38 a	7.78 a	10.93 a	18.86 a	24.47 a	10.03 a	14.47 a	23.44 a	30.71 a
	16	4.53 a	7.42 a	10.69 a	17.52 a	22.32 a	7.73 a	10.88 a	18.81 a	24.41 a	9.98 a	14.42 a	23.38 a	30.64 a
	24	4.42 a	7.33 a	10.58 a	17.41 a	22.21 a	7.63 a	10.77 a	18.69 a	24.29 a	9.87 a	14.31 a	23.25 a	30.52 a
10	12	4.5 a	7.33 a	10.53 a	17.2 a	21.89 a	7.63 a	10.72 a	18.45 a	23.97 a	9.82 a	14.19 a	22.97 a	29.9 a
	16	4.44 a	7.27 a	10.46 a	17.13 a	21.82 a	7.57 a	10.66 a	18.38 a	23.89 a	9.75 a	14.12 a	22.9 a	29.82 a
	24	4.31 a	7.15 a	10.33 a	16.99 a	21.68 a	7.45 a	10.53 a	18.24 a	23.75 a	9.63 a	13.98 a	22.75 a	29.67 a
12	12	4.31 a	6.98 a	10.01 a	16.23 a	20.67 a	7.27 a	10.27 a	17.45 a	22.79 a	9.32 a	13.52 a	21.92 a	28.01 a
	16	4.22 a	6.9 a	9.92 a	16.14 a	20.57 a	7.19 a	10.19 a	17.36 a	22.69 a	9.24 a	13.42 a	21.82 a	27.9 a
	24	4.03 a	6.74 a	9.74 a	15.94 a	20.37 a	7.02 a	10.01 a	17.17 a	22.49 a	9.06 a	13.23 a	21.61 a	27.7 a
14	12	4.08 a	6.6 a	9.38 a	15.04 a	19.14 a	6.84 a	9.74 a	16.28 a	21.48 a	8.75 a	12.73 a	20.52 a	25.83 a
	16	3.95 a	6.49 a	9.27 a	14.92 a	19.01 a	6.73 a	9.63 a	16.16 a	21.35 a	8.63 a	12.6 a	20.38 a	25.7 a
	24	3.71 a	6.28 a	9.03 a	14.67 a	18.76 a	6.51 a	9.39 a	15.92 a	21.09 a	8.41 a	12.36 a	20.12 a	25.44 a
16	12	3.8 a	6.21 a	8.7 a	13.68 a	17.4 a	6.34 a	9.14 a	15.01 a	19.59 a	8.1 a	11.84 a	18.64 a	23.47 a
	16	3.65 a	6.08 a	8.56 a	13.54 a	17.25 a	6.21 a	8.99 a	14.87 a	19.44 a	7.96 a	11.69 a	18.48 a	23.31 a
	24	3.35 a	5.81 a	8.28 a	13.24 a	16.95 a	5.94 a	8.71 a	14.57 a	19.13 a	7.69 a	11.39 a	18.17 a	23 a

Notes

*Please see Combined Axial and Lateral Load Table Notes on page 37.

Complies with the 2021 International Building Code and AISI S100-16/S2-20

COMBINED AXIAL & LATERAL LOAD TABLES

5 psf Lateral Load (Interior Walls Only)												
Wall Height (ft)	Spacing (in.) o.c.	800S137-(mils)					800S162-(mils)					
		33 ksi		50 ksi			33 ksi		50 ksi			
		33	43	54	68	97	33	43	54	68	97	118
8	12	1.7 a*	2.43 a	3.56 a	4.73 a	7.23 a	2.38 a*	3.35 a	5.42 a	7.23 a	11.25 a	14.31 a
	16	1.67 a*	2.4 a	3.54 a	4.72 a	7.21 a	2.35 a*	3.33 a	5.4 a	7.21 a	11.23 a	14.29 a
	24	1.62 a*	2.36 a	3.5 a	4.68 a	7.18 a	2.28 a*	3.27 a	5.35 a	7.16 a	11.18 a	14.24 a
9	12	1.68 a*	2.41 a	3.54 a	4.72 a	7.22 a	2.35 a*	3.33 a	5.4 a	7.21 a	11.23 a	14.29 a
	16	1.64 a*	2.38 a	3.52 a	4.7 a	7.2 a	2.31 a*	3.3 a	5.37 a	7.18 a	11.2 a	14.26 a
	24	1.57 a*	2.32 a	3.47 a	4.65 a	7.16 a	2.22 a*	3.23 a	5.31 a	7.12 a	11.15 a	14.21 a
10	12	1.65 a*	2.39 a	3.53 a	4.7 a	7.2 a	2.32 a*	3.31 a	5.38 a	7.19 a	11.21 a	14.27 a
	16	1.61 a*	2.35 a	3.5 a	4.68 a	7.18 a	2.27 a*	3.26 a	5.34 a	7.15 a	11.18 a	14.24 a
	24	1.52 a*	2.28 a	3.44 a	4.62 a	7.13 a	2.16 a*	3.18 a	5.27 a	7.08 a	11.11 a	14.17 a
12	12	1.59 a*	2.34 a	3.49 a	4.67 a	7.17 a	2.25 a*	3.25 a	5.33 a	7.14 a	11.17 a	14.23 a
	16	1.53 a*	2.29 a	3.45 a	4.63 a	7.13 a	2.17 a*	3.19 a	5.28 a	7.09 a	11.12 a	14.18 a
	24	1.4 a*	2.18 a	3.37 a	4.55 a	7.06 a	2.02 a*	3.06 a	5.17 a	6.98 a	11.02 a	14.08 a
14	12	1.52 a*	2.28 a	3.44 a	4.62 a	7.13 a	2.17 a*	3.18 a	5.27 a	7.08 a	11.11 a	14.17 a
	16	1.44 a*	2.21 a	3.39 a	4.57 a	7.08 a	2.06 a*	3.1 a	5.2 a	7.01 a	11.04 a	14.11 a
	24	1.26 a*	2.07 a	3.28 a	4.46 a	6.98 a	1.85 a*	2.93 a	5.05 a	6.87 a	10.91 a	13.97 a
16	12	1.44 a*	2.22 a	3.39 a	4.57 a	7.09 a	2.07 a*	3.1 a	5.2 a	7.02 a	11.05 a	14.11 a
	16	1.33 a*	2.13 a	3.32 a	4.5 a	7.02 a	1.93 a*	2.99 a	5.11 a	6.92 a	10.96 a	14.02 a
	24	1.1 a*	1.94 a	3.17 a	4.36 a	6.9 a	1.65 a*	2.77 a	4.91 a	6.73 a	10.79 a	13.85 a

5 psf Lateral Load (Interior Walls Only)																	
Wall Height (ft)	Spacing (in.) o.c.	800S200-(mils)						800S250-(mils)					800S300-(mils)				
		33 ksi		50 ksi				33 ksi		50 ksi			50 ksi				
		33	43	54	68	97	118	43	54	68	97	118	54	68	97	118	
8	12	2.95 a*	4.49 a	7.74 a	10.27 a	15.96 a	20.43 a	4.89 a	8.13 a	11.73 a	19.55 a	25.43 a	8.48 a	12 a	21.32 a	27.8 a	
	16	2.92 a*	4.46 a	7.72 a	10.24 a	15.93 a	20.41 a	4.86 a	8.1 a	11.7 a	19.52 a	25.4 a	8.45 a	11.97 a	21.28 a	27.76 a	
	24	2.84 a*	4.4 a	7.66 a	10.19 a	15.88 a	20.35 a	4.8 a	8.04 a	11.64 a	19.45 a	25.33 a	8.39 a	11.91 a	21.21 a	27.69 a	
9	12	2.92 a*	4.46 a	7.72 a	10.25 a	15.93 a	20.41 a	4.85 a	8.07 a	11.67 a	19.45 a	25.26 a	8.41 a	11.92 a	21.14 a	27.58 a	
	16	2.88 a*	4.43 a	7.69 a	10.21 a	15.9 a	20.38 a	4.82 a	8.03 a	11.63 a	19.4 a	25.22 a	8.37 a	11.88 a	21.1 a	27.54 a	
	24	2.78 a*	4.35 a	7.61 a	10.14 a	15.83 a	20.31 a	4.74 a	7.96 a	11.55 a	19.32 a	25.13 a	8.3 a	11.8 a	21.01 a	27.45 a	
10	12	2.89 a*	4.44 a	7.7 a	10.22 a	15.91 a	20.39 a	4.81 a	8 a	11.59 a	19.32 a	25.05 a	8.33 a	11.81 a	20.93 a	27.32 a	
	16	2.83 a*	4.39 a	7.65 a	10.18 a	15.87 a	20.34 a	4.76 a	7.96 a	11.54 a	19.27 a	25 a	8.28 a	11.76 a	20.88 a	27.27 a	
	24	2.71 a*	4.3 a	7.56 a	10.09 a	15.79 a	20.26 a	4.66 a	7.86 a	11.45 a	19.16 a	24.89 a	8.19 a	11.67 a	20.77 a	27.16 a	
12	12	2.8 a*	4.37 a	7.63 a	10.17 a	15.86 a	20.33 a	4.7 a	7.82 a	11.38 a	18.99 a	24.47 a	8.13 a	11.53 a	20.37 a	26.64 a	
	16	2.72 a*	4.3 a	7.57 a	10.1 a	15.8 a	20.27 a	4.63 a	7.76 a	11.32 a	18.92 a	24.39 a	8.06 a	11.47 a	20.3 a	26.56 a	
	24	2.55 a*	4.17 a	7.44 a	9.98 a	15.68 a	20.14 a	4.49 a	7.63 a	11.18 a	18.77 a	24.24 a	7.92 a	11.33 a	20.14 a	26.4 a	
14	12	2.68 a*	4.23 a	7.39 a	9.91 a	15.7 a	20.26 a	4.56 a	7.58 a	11.02 a	18.34 a	23.64 a	7.86 a	11.17 a	19.63 a	25.73 a	
	16	2.57 a*	4.14 a	7.3 a	9.83 a	15.62 a	20.18 a	4.46 a	7.49 a	10.93 a	18.24 a	23.54 a	7.77 a	11.08 a	19.53 a	25.63 a	
	24	2.34 a*	3.97 a	7.14 a	9.66 a	15.46 a	20.01 a	4.28 a	7.32 a	10.75 a	18.05 a	23.33 a	7.59 a	10.91 a	19.33 a	25.42 a	
16	12	2.53 a*	4.05 a	7.05 a	9.49 a	15.09 a	19.6 a	4.38 a	7.26 a	10.54 a	17.48 a	22.56 a	7.53 a	10.72 a	18.72 a	24.64 a	
	16	2.38 a*	3.94 a	6.95 a	9.39 a	14.99 a	19.49 a	4.26 a	7.15 a	10.43 a	17.36 a	22.43 a	7.42 a	10.61 a	18.6 a	24.51 a	
	24	2.09 a*	3.72 a	6.73 a	9.18 a	14.78 a	19.28 a	4.03 a	6.94 a	10.2 a	17.11 a	22.17 a	7.19 a	10.39 a	18.35 a	24.25 a	

Notes

*Please see Combined Axial and Lateral Load Table Notes on page 37.

Complies with the 2021 International Building Code and AISI S100-16/S2-20

COMBINED AXIAL & LATERAL LOAD TABLES

5 psf Lateral Load (Interior Walls Only)					
Wall Height (ft)	Spacing (in.) o.c.	800S350-(mils)			
		50 ksi			
		54	68	97	118
8	12	10.93 a	15.73 a	25.86 a	34.32 a
	16	10.9 a	15.7 a	25.83 a	34.28 a
	24	10.84 a	15.64 a	25.75 a	34.2 a
9	12	10.83 a	15.61 a	25.7 a	34.05 a
	16	10.79 a	15.57 a	25.65 a	34 a
	24	10.71 a	15.48 a	25.56 a	33.91 a
10	12	10.71 a	15.46 a	25.46 a	33.74 a
	16	10.66 a	15.41 a	25.4 a	33.68 a
	24	10.56 a	15.31 a	25.29 a	33.57 a
12	12	10.41 a	15.09 a	24.78 a	32.99 a
	16	10.34 a	15.02 a	24.7 a	32.91 a
	24	10.2 a	14.87 a	24.54 a	32.74 a
14	12	10.04 a	14.6 a	23.95 a	31.77 a
	16	9.95 a	14.51 a	23.84 a	31.66 a
	24	9.77 a	14.32 a	23.63 a	31.44 a
16	12	9.61 a	14.03 a	23.01 a	30.13 a
	16	9.5 a	13.91 a	22.88 a	30 a
	24	9.26 a	13.67 a	22.61 a	29.73 a

Notes

*Please see Combined Axial and Lateral Load Table Notes on page 37.

Complies with the 2021 International Building Code and AISI S100-16/S2-20

COMBINED AXIAL & LATERAL LOAD TABLES

15 psf Lateral Load

Wall Height (ft)	Spacing (in.) o.c.	362S137-(mils)				362S162-(mils)					362S200-(mils)				
		33 ksi		50 ksi		33 ksi		50 ksi			33 ksi		50 ksi		
		33	43	54	68	33	43	54	68	97	33	43	54	68	97
8	12	1.13 a	1.75 a	2.85 a	3.82 a	1.5 a	2.18 a	3.69 a	4.85 a	7.21 a	1.87 a	2.88 a	4.72 a	7.6 a	8.92 a
	16	0.96 a	1.58 a	2.71 a	3.7 a	1.32 a	2 a	3.54 a	4.72 a	7.08 a	1.67 a	2.69 a	4.55 a	7.4 a	8.78 a
	24	0.63 b	1.25 a	2.45 a	3.47 a	0.96 a	1.66 a	3.25 a	4.45 a	6.82 a	1.27 a	2.3 a	4.22 a	7.01 a	8.5 a
9	12	0.97 a	1.57 a	2.61 a	3.54 a	1.31 a	1.96 a	3.39 a	4.47 a	6.66 a	1.65 a	2.62 a	4.32 a	7.01 a	8.21 a
	16	0.77 a	1.37 a	2.45 a	3.4 a	1.09 a	1.75 a	3.21 a	4.31 a	6.5 a	1.41 a	2.39 a	4.12 a	6.78 a	8.05 a
	24	0.36 c	0.96 b	2.13 a	3.12 a	0.65 c	1.33 a	2.86 a	4 a	6.19 a	0.93 b	1.92 a	3.72 a	6.32 a	7.72 a
10	12	0.8 b	1.38 a	2.35 a	3.23 a	1.11 a	1.63 a	3.06 a	4.06 a	6.05 a	1.43 a	2.35 a	3.89 a	6.35 a	7.45 a
	16	0.56 c	1.13 b	2.17 a	3.07 a	0.85 b	1.4 a	2.86 a	3.88 a	5.87 a	1.14 a	2.07 a	3.67 a	6.08 a	7.27 a
	24	0.07 e	0.65 d	1.79 c	2.74 b	0.33 d	0.93 c	2.45 b	3.52 a	5.51 a	0.56 c	1.52 b	3.21 a	5.55 a	6.89 a
12	12	0.44 d	0.96 c	1.82 b	2.58 a	0.69 d	1.32 b	2.35 a	3.19 a	4.78 a	0.95 c	1.77 a	2.99 a	4.95 a	5.89 a
	16	0.12 e	0.64 d	1.59 c	2.38 b	0.35 e	0.99 d	2.1 c	2.98 b	4.57 a	0.57 d	1.42 c	2.72 b	4.63 a	5.67 a
	24			1.13 e	1.98 d		0.32 e	1.61 d	2.54 d	4.14 b	-0.18 e	0.7 d	2.17 d	4 c	5.23 a
14	12	0.08 e	0.54 e	1.33 d	1.98 c	0.28 e	0.84 d	1.73 d	2.44 c	3.7 a	0.47 e	1.2 d	2.21 c	3.75 b	4.59 a
	16		0.16 e	1.06 e	1.75 d		0.44 e	1.45 e	2.2 d	3.46 c	0.02 e	0.78 e	1.9 d	3.4 c	4.34 b
	24			0.53 f	1.3 e			0.9 f	1.71 e	3 d			1.29 e	2.7 e	3.86 d
16	12		0.16 f	0.91 e	1.47 e		0.4 e	1.22 e	1.83 d	2.85 c	0.05 f	0.69 e	1.59 d	2.81 d	3.57 b
	16			0.61 f	1.22 e			0.92 f	1.57 e	2.6 d		0.23 f	1.26 e	2.43 e	3.31 d
	24			0.03 f	0.73 f			0.32 f	1.04 f	2.09 e			0.6 f	1.69 f	2.79 e

15 psf Lateral Load

Wall Height (ft)	Spacing (in.) o.c.	362S250-(mils)				362S300-(mils)			600S137-(mils)				
		33 ksi		50 ksi		50 ksi			33 ksi		50 ksi		
		43	54	68	97	54	68	97	33	43	54	68	97
8	12	3.3 a	5.37 a	7.17 a	10.24 a	5.26 a	7.47 a	11.32 a	1.46 a	2.21 a	3.55 a	4.79 a	7.3 a
	16	3.09 a	5.19 a	6.99 a	10.08 a	5.02 a	7.22 a	11.1 a	1.33 a	2.08 a	3.44 a	4.68 a	7.21 a
	24	2.68 a	4.83 a	6.64 a	9.76 a	4.55 a	6.74 a	10.66 a	1.05 a	1.81 a	3.23 a	4.47 a	7.02 a
9	12	3.05 a	5 a	6.58 a	9.45 a	4.85 a	6.86 a	10.56 a	1.35 a	2.1 a	3.47 a	4.7 a	7.23 a
	16	2.79 a	4.78 a	6.37 a	9.26 a	4.57 a	6.57 a	10.29 a	1.18 a	1.93 a	3.33 a	4.57 a	7.11 a
	24	2.28 a	4.35 a	5.95 a	8.87 a	3.99 a	6 a	9.77 a	0.83 a	1.6 a	3.05 a	4.3 a	6.86 a
10	12	2.77 a	4.59 a	5.96 a	8.61 a	4.42 a	6.24 a	9.6 a	1.23 a	1.98 a	3.37 a	4.61 a	7.14 a
	16	2.47 a	4.33 a	5.72 a	8.39 a	4.08 a	5.9 a	9.3 a	1.02 a	1.78 a	3.2 a	4.44 a	6.99 a
	24	1.86 a	3.82 a	5.24 a	7.95 a	3.41 a	5.24 a	8.7 a	0.59 a	1.36 a	2.86 a	4.11 a	6.69 a
12	12	2.13 a	3.55 a	4.68 a	6.87 a	3.57 a	5 a	7.64 a	0.95 a	1.71 a	3.15 a	4.39 a	6.94 a
	16	1.73 b	3.25 a	4.4 a	6.61 a	3.14 b	4.59 a	7.27 a	0.64 a	1.41 a	2.9 a	4.15 a	6.73 a
	24	0.94 d	2.63 c	3.82 b	6.09 a	2.27 d	3.76 c	6.55 a	0.02 c	0.81 b	2.41 a	3.67 a	6.29 a
14	12	1.48 c	2.64 b	3.58 a	5.37 a	2.66 c	3.79 b	5.94 a	0.61 b	1.39 a	2.88 a	4.13 a	6.71 a
	16	1.01 d	2.3 c	3.26 b	5.08 a	2.16 d	3.32 c	5.54 b	0.19 d	0.98 b	2.55 a	3.8 a	6.41 a
	24	0.08 e	1.61 e	2.63 d	4.51 c	1.14 e	2.39 e	4.73 d		0.17 d	1.89 c	3.15 b	5.82 a
16	12	0.89 e	1.92 d	2.71 c	4.2 a	1.83 e	2.78 d	4.6 b	0.22 d	1.01 c	2.58 b	3.83 a	6.44 a
	16	0.37 e	1.55 e	2.37 d	3.89 c	1.28 e	2.27 e	4.16 d	-0.32 e	0.48 d	2.14 c	3.4 b	6.05 a
	24		0.81 f	1.68 e	3.27 d	0.18 f	1.26 f	3.29 e		-0.58 e	1.28 e	2.55 d	5.28 c

Notes

*Please see Combined Axial and Lateral Load Table Notes on page 37.

Complies with the 2021 International Building Code and AISI S100-16/S2-20

COMBINED AXIAL & LATERAL LOAD TABLES

15 psf Lateral Load

Wall Height (ft)	Spacing (in.) o.c.	600S162-(mils)						600S200-(mils)					
		33 ksi		50 ksi				33 ksi		50 ksi			
		33	43	54	68	97	118	33	43	54	68	97	118
8	12	2.11 a	3.09 a	5.3 a	7.14 a	11.06 a	13.89 a	2.51 a	3.92 a	7.11 a	9.54 a	15.01 a	19.3 a
	16	1.97 a	2.96 a	5.16 a	7.01 a	10.93 a	13.76 a	2.35 a	3.75 a	6.99 a	9.42 a	14.89 a	19.18 a
	24	1.68 a	2.68 a	4.9 a	6.76 a	10.67 a	13.49 a	2.03 a	3.42 a	6.76 a	9.18 a	14.66 a	18.94 a
9	12	1.99 a	2.98 a	5.19 a	7.04 a	10.95 a	13.79 a	2.36 a	3.75 a	6.93 a	9.32 a	14.72 a	18.95 a
	16	1.81 a	2.81 a	5.02 a	6.88 a	10.79 a	13.62 a	2.17 a	3.55 a	6.78 a	9.17 a	14.58 a	18.8 a
	24	1.45 a	2.46 a	4.69 a	6.56 a	10.46 a	13.28 a	1.77 a	3.14 a	6.48 a	8.87 a	14.29 a	18.5 a
10	12	1.85 a	2.84 a	5.06 a	6.93 a	10.84 a	13.67 a	2.21 a	3.57 a	6.71 a	9.07 a	14.38 a	18.53 a
	16	1.63 a	2.63 a	4.85 a	6.73 a	10.64 a	13.46 a	1.96 a	3.32 a	6.53 a	8.89 a	14.21 a	18.35 a
	24	1.18 a	2.2 a	4.44 a	6.34 a	10.23 a	13.04 a	1.48 a	2.81 a	6.17 a	8.52 a	13.86 a	17.98 a
12	12	1.52 a	2.51 a	4.64 a	6.54 a	10.57 a	13.39 a	1.84 a	3.14 a	6.19 a	8.44 a	13.52 a	17.45 a
	16	1.21 a	2.2 a	4.35 a	6.26 a	10.28 a	13.09 a	1.5 a	2.79 a	5.94 a	8.19 a	13.29 a	17.2 a
	24	0.58 c	1.6 a	3.78 a	5.71 a	9.69 a	12.49 a	0.81 b	2.09 a	5.44 a	7.69 a	12.81 a	16.69 a
14	12	1.15 a	2.11 a	4.13 a	5.95 a	9.93 a	13.07 a	1.42 a	2.65 a	5.55 a	7.66 a	12.43 a	16.05 a
	16	0.73 c	1.71 b	3.75 a	5.59 a	9.54 a	12.66 a	0.97 b	2.19 a	5.24 a	7.35 a	12.12 a	15.73 a
	24	-0.09 d	0.92 d	3.01 c	4.87 a	8.77 a	11.84 a	0.07 d	1.27 c	4.6 a	6.71 a	11.51 a	15.09 a
16	12	0.73 c	1.67 b	3.53 a	5.23 a	8.89 a	11.74 a	0.96 c	2.1 a	4.84 a	6.78 a	11.15 a	14.42 a
	16	0.22 d	1.17 d	3.07 c	4.8 a	8.42 a	11.24 a	0.4 d	1.54 c	4.46 a	6.4 a	10.79 a	14.04 a
	24		0.18 e	2.17 d	3.92 c	7.49 b	10.26 a	-0.73 e	0.4 d	3.7 b	5.64 a	10.06 a	13.27 a

15 psf Lateral Load

Wall Height (ft)	Spacing (in.) o.c.	600S250-(mils)					600S300-(mils)				600S350-(mils)			
		33 ksi	50 ksi				50 ksi				50 ksi			
		43	54	68	97	118	54	68	97	118	54	68	97	118
8	12	4.39 a	7.36 a	10.67 a	17.63 a	22.51 a	7.67 a	10.85 a	18.94 a	24.61 a	9.96 a	14.45 a	23.56 a	31.11 a
	16	4.27 a	7.24 a	10.54 a	17.49 a	22.36 a	7.55 a	10.73 a	18.8 a	24.47 a	9.83 a	14.32 a	23.41 a	30.95 a
	24	4.01 a	7.01 a	10.28 a	17.21 a	22.07 a	7.31 a	10.48 a	18.53 a	24.18 a	9.58 a	14.04 a	23.11 a	30.65 a
9	12	4.26 a	7.18 a	10.42 a	17.23 a	22.03 a	7.48 a	10.61 a	18.52 a	24.11 a	9.71 a	14.14 a	23.07 a	30.33 a
	16	4.1 a	7.03 a	10.26 a	17.06 a	21.85 a	7.33 a	10.46 a	18.35 a	23.93 a	9.56 a	13.97 a	22.88 a	30.13 a
	24	3.78 a	6.74 a	9.94 a	16.71 a	21.49 a	7.04 a	10.14 a	18 a	23.57 a	9.24 a	13.63 a	22.51 a	29.75 a
10	12	4.11 a	6.98 a	10.14 a	16.77 a	21.46 a	7.27 a	10.34 a	18.03 a	23.53 a	9.44 a	13.78 a	22.52 a	29.44 a
	16	3.91 a	6.8 a	9.94 a	16.56 a	21.24 a	7.09 a	10.15 a	17.82 a	23.31 a	9.25 a	13.57 a	22.3 a	29.21 a
	24	3.52 a	6.44 a	9.55 a	16.14 a	20.81 a	6.73 a	9.76 a	17.4 a	22.88 a	8.87 a	13.16 a	21.85 a	28.75 a
12	12	3.76 a	6.49 a	9.47 a	15.66 a	20.07 a	6.77 a	9.74 a	16.88 a	22.19 a	8.8 a	12.95 a	21.3 a	27.39 a
	16	3.48 a	6.24 a	9.2 a	15.37 a	19.78 a	6.52 a	9.47 a	16.6 a	21.89 a	8.54 a	12.67 a	20.99 a	27.08 a
	24	2.93 a	5.75 a	8.66 a	14.79 a	19.18 a	6.02 a	8.94 a	16.02 a	21.3 a	8.01 a	12.1 a	20.37 a	26.46 a
14	12	3.35 a	5.95 a	8.69 a	14.31 a	18.39 a	6.19 a	9.05 a	15.55 a	20.71 a	8.07 a	11.99 a	19.72 a	25.05 a
	16	2.99 a	5.63 a	8.34 a	13.94 a	18.01 a	5.86 a	8.7 a	15.19 a	20.32 a	7.73 a	11.63 a	19.32 a	24.66 a
	24	2.26 a	4.99 a	7.64 a	13.21 a	17.26 a	5.22 a	8 a	14.46 a	19.55 a	7.05 a	10.89 a	18.53 a	23.88 a
16	12	2.89 a	5.41 a	7.85 a	12.81 a	16.5 a	5.55 a	8.28 a	14.13 a	18.67 a	7.27 a	10.94 a	17.69 a	22.54 a
	16	2.44 a	5 a	7.42 a	12.37 a	16.05 a	5.15 a	7.85 a	13.68 a	18.21 a	6.86 a	10.49 a	17.22 a	22.07 a
	24	1.53 c	4.2 b	6.57 a	11.49 a	15.15 a	4.35 a	6.99 a	12.8 a	17.29 a	6.03 a	9.59 a	16.27 a	21.14 a

Notes

*Please see Combined Axial and Lateral Load Table Notes on page 37.

Complies with the 2021 International Building Code and AISI S100-16/S2-20

COMBINED AXIAL & LATERAL LOAD TABLES

15 psf Lateral Load												
Wall Height (ft)	Spacing (in.) o.c.	800S137-(mils)					800S162-(mils)					
		33 ksi		50 ksi			33 ksi		50 ksi			
		33	43	54	68	97	33	43	54	68	97	118
8	12	1.53 a*	2.29 a	3.45 a	4.63 a	7.13 a	2.17 a*	3.19 a	5.28 a	7.09 a	11.12 a	14.18 a
	16	1.44 a*	2.22 a	3.39 a	4.57 a	7.09 a	2.07 a*	3.1 a	5.2 a	7.02 a	11.05 a	14.11 a
	24	1.27 a*	2.08 a	3.28 a	4.47 a	6.99 a	1.86 a*	2.94 a	5.06 a	6.88 a	10.92 a	13.98 a
9	12	1.46 a*	2.23 a	3.4 a	4.58 a	7.1 a	2.09 a*	3.12 a	5.22 a	7.03 a	11.06 a	14.13 a
	16	1.35 a*	2.15 a	3.34 a	4.52 a	7.04 a	1.96 a*	3.01 a	5.13 a	6.94 a	10.98 a	14.04 a
	24	1.14 a*	1.97 a	3.2 a	4.38 a	6.91 a	1.69 a*	2.8 a	4.94 a	6.76 a	10.81 a	13.88 a
10	12	1.38 a*	2.17 a	3.36 a	4.54 a	7.05 a	2 a*	3.05 a	5.15 a	6.97 a	11.01 a	14.07 a
	16	1.25 a*	2.06 a	3.27 a	4.46 a	6.98 a	1.83 a*	2.92 a	5.04 a	6.86 a	10.9 a	13.96 a
	24	0.98 a*	1.85 a	3.1 a	4.29 a	6.83 a	1.51 a*	2.66 a	4.81 a	6.64 a	10.7 a	13.76 a
12	12	1.21 a*	2.03 a	3.24 a	4.43 a	6.96 a	1.78 a*	2.87 a	5 a	6.82 a	10.87 a	13.93 a
	16	1.02 a*	1.87 a	3.12 a	4.31 a	6.85 a	1.55 a*	2.69 a	4.84 a	6.66 a	10.72 a	13.78 a
	24	0.63 a*	1.56 a	2.87 a	4.07 a	6.63 a	1.08 a*	2.31 a	4.51 a	6.34 a	10.43 a	13.49 a
14	12	1 a*	1.86 a	3.11 a	4.3 a	6.84 a	1.53 a*	2.67 a	4.82 a	6.65 a	10.71 a	13.77 a
	16	0.74 a*	1.65 a	2.94 a	4.14 a	6.69 a	1.21 a*	2.42 a	4.6 a	6.43 a	10.51 a	13.57 a
	24	0.21 a*	1.22 a	2.61 a	3.81 a	6.4 a	0.57 a*	1.9 a	4.15 a	6 a	10.11 a	13.17 a
16	12	0.76 a*	1.67 a	2.96 a	4.15 a	6.7 a	1.23 a*	2.44 a	4.62 a	6.45 a	10.53 a	13.59 a
	16	0.42 a*	1.39 a	2.74 a	3.94 a	6.51 a	0.82 a*	2.1 a	4.33 a	6.17 a	10.26 a	13.32 a
	24		0.84 a	2.3 a	3.52 a	6.13 a		1.44 a	3.74 a	5.6 a	9.74 a	12.8 a

15 psf Lateral Load												
Wall Height (ft)	Spacing (in.) o.c.	800S200-(mils)						800S250-(mils)				
		33 ksi		50 ksi				33 ksi	50 ksi			
		33	43	54	68	97	118	43	54	68	97	118
8	12	2.73 a*	4.31 a	7.58 a	10.1 a	15.8 a	20.27 a	4.71 a	7.95 a	11.55 a	19.35 a	25.22 a
	16	2.62 a*	4.23 a	7.49 a	10.02 a	15.72 a	20.18 a	4.61 a	7.86 a	11.46 a	19.24 a	25.11 a
	24	2.39 a*	4.06 a	7.32 a	9.85 a	15.56 a	20.02 a	4.43 a	7.69 a	11.27 a	19.04 a	24.89 a
9	12	2.64 a*	4.25 a	7.51 a	10.04 a	15.73 a	20.2 a	4.62 a	7.85 a	11.44 a	19.19 a	24.99 a
	16	2.5 a*	4.14 a	7.4 a	9.93 a	15.63 a	20.09 a	4.5 a	7.74 a	11.32 a	19.06 a	24.86 a
	24	2.21 a*	3.92 a	7.19 a	9.72 a	15.43 a	19.88 a	4.26 a	7.51 a	11.08 a	18.8 a	24.58 a
10	12	2.54 a*	4.17 a	7.43 a	9.96 a	15.66 a	20.13 a	4.52 a	7.73 a	11.3 a	19 a	24.72 a
	16	2.36 a*	4.03 a	7.3 a	9.83 a	15.54 a	20 a	4.37 a	7.59 a	11.16 a	18.84 a	24.55 a
	24	2.01 a*	3.76 a	7.04 a	9.57 a	15.29 a	19.73 a	4.08 a	7.32 a	10.87 a	18.53 a	24.22 a
12	12	2.3 a*	3.98 a	7.25 a	9.79 a	15.5 a	19.95 a	4.28 a	7.43 a	10.98 a	18.54 a	24 a
	16	2.05 a*	3.79 a	7.06 a	9.6 a	15.32 a	19.76 a	4.08 a	7.24 a	10.77 a	18.31 a	23.77 a
	24	1.54 a*	3.4 a	6.68 a	9.23 a	14.96 a	19.39 a	3.66 a	6.85 a	10.36 a	17.86 a	23.3 a
14	12	2 a*	3.71 a	6.88 a	9.41 a	15.21 a	19.75 a	4 a	7.06 a	10.48 a	17.75 a	23.02 a
	16	1.66 a*	3.45 a	6.63 a	9.16 a	14.97 a	19.49 a	3.72 a	6.8 a	10.2 a	17.45 a	22.71 a
	24	0.98 a*	2.93 a	6.12 a	8.66 a	14.48 a	18.98 a	3.17 a	6.28 a	9.66 a	16.85 a	22.09 a
16	12	1.66 a*	3.39 a	6.42 a	8.86 a	14.48 a	18.95 a	3.67 a	6.61 a	9.86 a	16.74 a	21.78 a
	16	1.22 a*	3.06 a	6.1 a	8.54 a	14.17 a	18.63 a	3.31 a	6.28 a	9.52 a	16.36 a	21.39 a
	24	0.35 a*	2.4 a	5.46 a	7.91 a	13.56 a	17.98 a	2.6 a	5.63 a	8.83 a	15.62 a	20.61 a

Notes

*Please see Combined Axial and Lateral Load Table Notes on page 37.

Complies with the 2021 International Building Code and AISI S100-16/S2-20

COMBINED AXIAL & LATERAL LOAD TABLES

15 psf Lateral Load									
Wall Height (ft)	Spacing (in.) o.c.	800S300-(mils)				800S350-(mils)			
		50 ksi				50 ksi			
		54	68	97	118	54	68	97	118
8	12	8.3 a	11.82 a	21.11 a	27.58 a	10.74 a	15.54 a	25.64 a	34.09 a
	16	8.2 a	11.73 a	21.01 a	27.47 a	10.64 a	15.44 a	25.53 a	33.97 a
	24	8.02 a	11.55 a	20.8 a	27.25 a	10.45 a	15.24 a	25.31 a	33.74 a
9	12	8.18 a	11.69 a	20.88 a	27.31 a	10.59 a	15.36 a	25.42 a	33.76 a
	16	8.06 a	11.57 a	20.75 a	27.17 a	10.47 a	15.24 a	25.28 a	33.62 a
	24	7.83 a	11.34 a	20.49 a	26.9 a	10.22 a	14.99 a	25 a	33.33 a
10	12	8.05 a	11.53 a	20.61 a	26.99 a	10.41 a	15.16 a	25.12 a	33.39 a
	16	7.9 a	11.39 a	20.45 a	26.82 a	10.26 a	15 a	24.95 a	33.21 a
	24	7.62 a	11.11 a	20.13 a	26.48 a	9.97 a	14.7 a	24.61 a	32.86 a
12	12	7.72 a	11.14 a	19.92 a	26.17 a	9.99 a	14.66 a	24.3 a	32.49 a
	16	7.52 a	10.94 a	19.69 a	25.93 a	9.78 a	14.45 a	24.06 a	32.24 a
	24	7.12 a	10.54 a	19.24 a	25.46 a	9.37 a	14.02 a	23.58 a	31.74 a
14	12	7.32 a	10.64 a	19.03 a	25.11 a	9.49 a	14.04 a	23.32 a	31.11 a
	16	7.05 a	10.38 a	18.74 a	24.8 a	9.21 a	13.75 a	23 a	30.78 a
	24	6.52 a	9.85 a	18.14 a	24.17 a	8.66 a	13.19 a	22.37 a	30.13 a
16	12	6.85 a	10.05 a	17.98 a	23.86 a	8.92 a	13.31 a	22.21 a	29.32 a
	16	6.51 a	9.72 a	17.61 a	23.47 a	8.57 a	12.95 a	21.82 a	28.91 a
	24	5.83 a	9.05 a	16.86 a	22.68 a	7.87 a	12.24 a	21.02 a	28.1 a

Notes

*Please see Combined Axial and Lateral Load Table Notes on page 37.

Complies with the 2021 International Building Code and AISI S100-16/S2-20

COMBINED AXIAL & LATERAL LOAD TABLES

20 psf Lateral Load

Wall Height (ft)	Spacing (in.) o.c.	362S137-(mils)				362S162-(mils)					362S200-(mils)				
		33 ksi		50 ksi		33 ksi		50 ksi			33 ksi		50 ksi		
		33	43	54	68	33	43	54	68	97	33	43	54	68	97
8	12	0.96 a	1.58 a	2.71 a	3.7 a	1.32 a	2 a	3.54 a	4.72 a	7.08 a	1.67 a	2.69 a	4.55 a	7.4 a	8.78 a
	16	0.74 a	1.36 a	2.54 a	3.55 a	1.08 a	1.77 a	3.35 a	4.54 a	6.9 a	1.4 a	2.43 a	4.33 a	7.14 a	8.6 a
	24	0.31 c	0.92 b	2.18 a	3.24 a	0.6 b	1.31 a	2.96 a	4.19 a	6.55 a	0.87 b	1.92 a	3.88 a	6.62 a	8.22 a
9	12	0.77 a	1.37 a	2.45 a	3.4 a	1.09 a	1.75 a	3.21 a	4.31 a	6.5 a	1.41 a	2.39 a	4.12 a	6.78 a	8.05 a
	16	0.5 c	1.09 b	2.24 a	3.22 a	0.8 b	1.47 a	2.98 a	4.1 a	6.29 a	1.09 a	2.07 a	3.85 a	6.47 a	7.83 a
	24		0.55 d	1.81 c	2.84 b	0.21 d	0.91 c	2.51 b	3.69 a	5.87 a	0.44 c	1.45 b	3.32 a	5.85 a	7.39 a
10	12	0.56 c	1.13 b	2.17 a	3.07 a	0.85 b	1.4 a	2.86 a	3.88 a	5.87 a	1.14 a	2.07 a	3.67 a	6.08 a	7.27 a
	16	0.24 d	0.81 c	1.92 b	2.85 a	0.5 d	1.09 c	2.59 a	3.64 a	5.63 a	0.75 c	1.7 b	3.36 a	5.73 a	7.02 a
	24		0.16 e	1.42 d	2.42 c		0.47 d	2.05 c	3.16 b	5.15 a		0.96 d	2.75 c	5.02 b	6.52 a
12	12	0.12 e	0.64 d	1.59 c	2.38 b	0.35 e	0.99 d	2.1 c	2.98 b	4.57 a	0.57 d	1.42 c	2.72 b	4.63 a	5.67 a
	16		0.21 e	1.28 d	2.12 d		0.54 e	1.78 d	2.69 c	4.28 b	0.07 e	0.94 d	2.35 c	4.21 b	5.38 a
	24			0.66 e	1.58 e			1.12 e	2.11 e	3.72 d			1.62 e	3.37 d	4.79 c
14	12		0.16 e	1.06 e	1.75 d		0.44 e	1.45 e	2.2 d	3.46 c	0.02 e	0.78 e	1.9 d	3.4 c	4.34 b
	16			0.71 f	1.45 e			1.08 e	1.87 e	3.15 d		0.22 e	1.5 e	2.93 d	4.02 c
	24				0.84 f			0.35 f	1.22 f	2.53 e			0.68 f	2 e	3.37 e
16	12			0.61 f	1.22 e			0.92 f	1.57 e	2.6 d		0.23 f	1.26 e	2.43 e	3.31 d
	16			0.23 f	0.9 f			0.52 f	1.22 f	2.26 e			0.82 f	1.94 e	2.96 e
	24				0.24 f				0.52 f	1.59 f				0.94 f	2.27 f

20 psf Lateral Load

Wall Height (ft)	Spacing (in.) o.c.	362S250-(mils)				362S300-(mils)			600S137-(mils)				
		33 ksi		50 ksi		50 ksi			33 ksi		50 ksi		
		43	54	68	97	54	68	97	33	43	54	68	97
8	12	3.09 a	5.19 a	6.99 a	10.08 a	5.26 a	7.47 a	11.32 a	1.46 a	2.21 a	3.55 a	4.79 a	7.3 a
	16	2.82 a	4.95 a	6.76 a	9.86 a	5.02 a	7.22 a	11.1 a	1.33 a	2.08 a	3.44 a	4.68 a	7.21 a
	24	2.26 a	4.47 a	6.29 a	9.43 a	4.55 a	6.74 a	10.66 a	1.05 a	1.81 a	3.23 a	4.47 a	7.02 a
9	12	2.79 a	4.78 a	6.37 a	9.26 a	4.85 a	6.86 a	10.56 a	1.35 a	2.1 a	3.47 a	4.7 a	7.23 a
	16	2.45 a	4.49 a	6.09 a	9 a	4.57 a	6.57 a	10.29 a	1.18 a	1.93 a	3.33 a	4.57 a	7.11 a
	24	1.77 a	3.91 a	5.53 a	8.49 a	3.99 a	6 a	9.77 a	0.83 a	1.6 a	3.05 a	4.3 a	6.86 a
10	12	2.47 a	4.33 a	5.72 a	8.39 a	4.42 a	6.24 a	9.6 a	1.23 a	1.98 a	3.37 a	4.61 a	7.14 a
	16	2.06 a	3.99 a	5.4 a	8.1 a	4.08 a	5.9 a	9.3 a	1.02 a	1.78 a	3.2 a	4.44 a	6.99 a
	24	1.25 c	3.31 b	4.76 a	7.51 a	3.41 a	5.24 a	8.7 a	0.59 a	1.36 a	2.86 a	4.11 a	6.69 a
12	12	1.73 b	3.25 a	4.4 a	6.61 a	3.57 a	5 a	7.64 a	0.95 a	1.71 a	3.15 a	4.39 a	6.94 a
	16	1.21 d	2.84 c	4.01 a	6.26 a	3.14 b	4.59 a	7.27 a	0.64 a	1.41 a	2.9 a	4.15 a	6.73 a
	24	0.16 e	2.02 d	3.25 c	5.56 b	2.27 d	3.76 c	6.55 a	0.02 c	0.81 b	2.41 a	3.67 a	6.29 a
14	12	1.01 d	2.3 c	3.26 b	5.08 a	2.66 c	3.79 b	5.94 a	0.61 b	1.39 a	2.88 a	4.13 a	6.71 a
	16	0.39 e	1.84 d	2.84 d	4.7 b	2.16 d	3.32 c	5.54 b	0.19 d	0.98 b	2.55 a	3.8 a	6.41 a
	24		0.93 e	1.99 e	3.93 d	1.14 e	2.39 e	4.73 d		0.17 d	1.89 c	3.15 b	5.82 a
16	12	0.37 e	1.55 e	2.37 d	3.89 c	1.83 e	2.78 d	4.6 b	0.22 d	1.01 c	2.58 b	3.83 a	6.44 a
	16		1.06 e	1.91 e	3.47 d	1.28 e	2.27 e	4.16 d		0.48 d	2.14 c	3.4 b	6.05 a
	24		0.07 f	1 f	2.65 e	0.18 f	1.26 f	3.29 e			1.28 e	2.55 d	5.28 c

Notes

*Please see Combined Axial and Lateral Load Table Notes on page 37.

Complies with the 2021 International Building Code and AISI S100-16/S2-20

COMBINED AXIAL & LATERAL LOAD TABLES

20 psf Lateral Load													
Wall Height (ft)	Spacing (in.) o.c.	600S162-(mils)						600S200-(mils)					
		33 ksi		50 ksi				33 ksi		50 ksi			
		33	43	54	68	97	118	33	43	54	68	97	118
8	12	2.11 a	3.09 a	5.3 a	7.14 a	11.06 a	13.89 a	2.51 a	3.92 a	6.99 a	9.42 a	14.89 a	19.18 a
	16	1.97 a	2.96 a	5.16 a	7.01 a	10.93 a	13.76 a	2.35 a	3.75 a	6.84 a	9.26 a	14.74 a	19.02 a
	24	1.68 a	2.68 a	4.9 a	6.76 a	10.67 a	13.49 a	2.03 a	3.42 a	6.52 a	8.94 a	14.43 a	18.69 a
9	12	1.99 a	2.98 a	5.19 a	7.04 a	10.95 a	13.79 a	2.36 a	3.75 a	6.78 a	9.17 a	14.58 a	18.8 a
	16	1.81 a	2.81 a	5.02 a	6.88 a	10.79 a	13.62 a	2.17 a	3.55 a	6.58 a	8.97 a	14.39 a	18.6 a
	24	1.45 a	2.46 a	4.69 a	6.56 a	10.46 a	13.28 a	1.77 a	3.14 a	6.19 a	8.58 a	14.01 a	18.2 a
10	12	1.85 a	2.84 a	5.06 a	6.93 a	10.84 a	13.67 a	2.21 a	3.57 a	6.53 a	8.89 a	14.21 a	18.35 a
	16	1.63 a	2.63 a	4.85 a	6.73 a	10.64 a	13.46 a	1.96 a	3.32 a	6.29 a	8.64 a	13.98 a	18.1 a
	24	1.18 a	2.2 a	4.44 a	6.34 a	10.23 a	13.04 a	1.48 a	2.81 a	5.81 a	8.16 a	13.51 a	17.61 a
12	12	1.52 a	2.51 a	4.64 a	6.54 a	10.57 a	13.39 a	1.84 a	3.14 a	5.94 a	8.19 a	13.29 a	17.2 a
	16	1.21 a	2.2 a	4.35 a	6.26 a	10.28 a	13.09 a	1.5 a	2.79 a	5.61 a	7.86 a	12.97 a	16.86 a
	24	0.58 c	1.6 a	3.78 a	5.71 a	9.69 a	12.49 a	0.81 b	2.09 a	4.95 a	7.2 a	12.33 a	16.19 a
14	12	1.15 a	2.11 a	4.13 a	5.95 a	9.93 a	13.07 a	1.42 a	2.65 a	5.24 a	7.35 a	12.12 a	15.73 a
	16	0.73 c	1.71 b	3.75 a	5.59 a	9.54 a	12.66 a	0.97 b	2.19 a	4.81 a	6.92 a	11.72 a	15.31 a
	24		0.92 d	3.01 c	4.87 a	8.77 a	11.84 a	0.07 d	1.27 c	3.97 b	6.08 a	10.9 a	14.45 a
16	12	0.73 c	1.67 b	3.53 a	5.23 a	8.89 a	11.74 a	0.96 c	2.1 a	4.46 a	6.4 a	10.79 a	14.04 a
	16	0.22 d	1.17 d	3.07 c	4.8 a	8.42 a	11.24 a	0.4 d	1.54 c	3.95 b	5.89 a	10.3 a	13.53 a
	24		0.18 e	2.17 d	3.92 c	7.49 b	10.26 a		0.4 d	2.94 d	4.87 c	9.32 a	12.51 a

20 psf Lateral Load														
Wall Height (ft)	Spacing (in.) o.c.	600S250-(mils)				600S300-(mils)				600S350-(mils)				
		33 ksi		50 ksi		50 ksi				50 ksi				
		43	54	68	97	118	54	68	97	118	54	68	97	118
8	12	4.27 a	7.24 a	10.54 a	17.49 a	22.36 a	7.55 a	10.73 a	18.8 a	24.47 a	9.83 a	14.32 a	23.41 a	30.95 a
	16	4.1 a	7.08 a	10.37 a	17.3 a	22.17 a	7.39 a	10.56 a	18.62 a	24.28 a	9.67 a	14.13 a	23.21 a	30.75 a
	24	3.76 a	6.77 a	10.02 a	16.93 a	21.79 a	7.07 a	10.22 a	18.25 a	23.89 a	9.33 a	13.77 a	22.81 a	30.34 a
9	12	4.1 a	7.03 a	10.26 a	17.06 a	21.85 a	7.33 a	10.46 a	18.35 a	23.93 a	9.56 a	13.97 a	22.88 a	30.13 a
	16	3.89 a	6.84 a	10.04 a	16.83 a	21.61 a	7.13 a	10.25 a	18.12 a	23.69 a	9.35 a	13.74 a	22.63 a	29.88 a
	24	3.46 a	6.45 a	9.61 a	16.36 a	21.13 a	6.74 a	9.82 a	17.66 a	23.21 a	8.93 a	13.29 a	22.14 a	29.37 a
10	12	3.91 a	6.8 a	9.94 a	16.56 a	21.24 a	7.09 a	10.15 a	17.82 a	23.31 a	9.25 a	13.57 a	22.3 a	29.21 a
	16	3.65 a	6.56 a	9.68 a	16.28 a	20.95 a	6.85 a	9.89 a	17.54 a	23.03 a	8.99 a	13.3 a	22 a	28.9 a
	24	3.13 a	6.08 a	9.16 a	15.72 a	20.38 a	6.37 a	9.38 a	16.99 a	22.45 a	8.48 a	12.75 a	21.4 a	28.29 a
12	12	3.48 a	6.24 a	9.2 a	15.37 a	19.78 a	6.52 a	9.47 a	16.6 a	21.89 a	8.54 a	12.67 a	20.99 a	27.08 a
	16	3.12 a	5.91 a	8.84 a	14.98 a	19.38 a	6.19 a	9.12 a	16.21 a	21.49 a	8.19 a	12.29 a	20.57 a	26.66 a
	24	2.38 a	5.25 a	8.12 a	14.22 a	18.59 a	5.52 a	8.41 a	15.45 a	20.7 a	7.49 a	11.53 a	19.75 a	25.84 a
14	12	2.99 a	5.63 a	8.34 a	13.94 a	18.01 a	5.86 a	8.7 a	15.19 a	20.32 a	7.73 a	11.63 a	19.32 a	24.66 a
	16	2.5 a	5.2 a	7.87 a	13.46 a	17.51 a	5.43 a	8.24 a	14.7 a	19.81 a	7.28 a	11.14 a	18.79 a	24.14 a
	24	1.53 b	4.34 a	6.95 a	12.48 a	16.51 a	4.57 a	7.31 a	13.72 a	18.78 a	6.37 a	10.16 a	17.74 a	23.1 a
16	12	2.44 a	5 a	7.42 a	12.37 a	16.05 a	5.15 a	7.85 a	13.68 a	18.21 a	6.86 a	10.49 a	17.22 a	22.07 a
	16	1.83 b	4.47 a	6.86 a	11.79 a	15.45 a	4.62 a	7.27 a	13.09 a	17.59 a	6.3 a	9.89 a	16.59 a	21.45 a
	24	0.62 d	3.39 c	5.72 b	10.62 a	14.26 a	3.56 c	6.12 b	11.91 a	16.36 a	5.2 b	8.7 a	15.32 a	20.21 a

Notes

*Please see Combined Axial and Lateral Load Table Notes on page 37.

Complies with the 2021 International Building Code and AISI S100-16/S2-20

COMBINED AXIAL & LATERAL LOAD TABLES

20 psf Lateral Load												
Wall Height (ft)	Spacing (in.) o.c.	800S137-(mils)					800S162-(mils)					
		33 ksi		50 ksi			33 ksi		50 ksi			
		33	43	54	68	97	33	43	54	68	97	118
8	12	1.44 a*	2.22 a	3.39 a	4.57 a	7.09 a	2.07 a*	3.1 a	5.2 a	7.02 a	11.05 a	14.11 a
	16	1.33 a*	2.13 a	3.32 a	4.5 a	7.02 a	1.93 a*	2.99 a	5.11 a	6.92 a	10.96 a	14.02 a
	24	1.1 a*	1.94 a	3.17 a	4.36 a	6.9 a	1.65 a*	2.77 a	4.91 a	6.73 a	10.79 a	13.85 a
9	12	1.35 a*	2.15 a	3.34 a	4.52 a	7.04 a	1.96 a*	3.01 a	5.13 a	6.94 a	10.98 a	14.04 a
	16	1.21 a*	2.03 a	3.24 a	4.43 a	6.96 a	1.78 a*	2.87 a	5 a	6.82 a	10.87 a	13.93 a
	24	0.92 a*	1.8 a	3.06 a	4.25 a	6.79 a	1.43 a*	2.59 a	4.76 a	6.58 a	10.65 a	13.71 a
10	12	1.25 a*	2.06 a	3.27 a	4.46 a	6.98 a	1.83 a*	2.92 a	5.04 a	6.86 a	10.9 a	13.96 a
	16	1.07 a*	1.92 a	3.16 a	4.35 a	6.88 a	1.62 a*	2.74 a	4.89 a	6.71 a	10.77 a	13.83 a
	24	0.72 a*	1.63 a	2.93 a	4.12 a	6.68 a	1.18 a*	2.39 a	4.58 a	6.41 a	10.49 a	13.55 a
12	12	1.02 a*	1.87 a	3.12 a	4.31 a	6.85 a	1.55 a*	2.69 a	4.84 a	6.66 a	10.72 a	13.78 a
	16	0.76 a*	1.67 a	2.96 a	4.15 a	6.7 a	1.23 a*	2.44 a	4.62 a	6.45 a	10.53 a	13.59 a
	24	0.24 a*	1.25 a	2.63 a	3.83 a	6.42 a	0.61 a*	1.94 a	4.18 a	6.02 a	10.13 a	13.19 a
14	12	0.74 a*	1.65 a	2.94 a	4.14 a	6.69 a	1.21 a*	2.42 a	4.6 a	6.43 a	10.51 a	13.57 a
	16	0.39 a*	1.37 a	2.72 a	3.92 a	6.5 a	0.78 a*	2.07 a	4.3 a	6.14 a	10.24 a	13.3 a
	24		0.8 a	2.27 a	3.49 a	6.11 a		1.39 a	3.7 a	5.56 a	9.7 a	12.76 a
16	12	0.42 a*	1.39 a	2.74 a	3.94 a	6.51 a	0.82 a*	2.1 a	4.33 a	6.17 a	10.26 a	13.32 a
	16		1.02 a	2.44 a	3.66 a	6.26 a	0.26 b*	1.66 a	3.94 a	5.79 a	9.91 a	12.97 a
	24		0.28 c	1.86 b	3.09 a	5.75 a		0.77 b	3.16 a	5.03 a	9.21 a	12.27 a

20 psf Lateral Load												
Wall Height (ft)	Spacing (in.) o.c.	800S200-(mils)					800S250-(mils)					
		33 ksi		50 ksi			33 ksi	50 ksi				
		33	43	54	68	97	118	43	54	68	97	118
8	12	2.62 a*	4.23 a	7.49 a	10.02 a	15.72 a	20.18 a	4.61 a	7.86 a	11.46 a	19.24 a	25.11 a
	16	2.47 a*	4.11 a	7.38 a	9.91 a	15.61 a	20.07 a	4.49 a	7.75 a	11.33 a	19.11 a	24.97 a
	24	2.16 a*	3.88 a	7.15 a	9.69 a	15.4 a	19.85 a	4.24 a	7.51 a	11.09 a	18.83 a	24.68 a
9	12	2.5 a*	4.14 a	7.4 a	9.93 a	15.63 a	20.09 a	4.5 a	7.74 a	11.32 a	19.06 a	24.86 a
	16	2.31 a*	3.99 a	7.26 a	9.79 a	15.5 a	19.95 a	4.34 a	7.59 a	11.16 a	18.89 a	24.67 a
	24	1.93 a*	3.7 a	6.97 a	9.51 a	15.23 a	19.67 a	4.03 a	7.29 a	10.85 a	18.54 a	24.31 a
10	12	2.36 a*	4.03 a	7.3 a	9.83 a	15.54 a	20 a	4.37 a	7.59 a	11.16 a	18.84 a	24.55 a
	16	2.13 a*	3.85 a	7.12 a	9.66 a	15.37 a	19.82 a	4.18 a	7.41 a	10.97 a	18.63 a	24.33 a
	24	1.66 a*	3.49 a	6.77 a	9.31 a	15.04 a	19.47 a	3.79 a	7.04 a	10.59 a	18.21 a	23.88 a
12	12	2.05 a*	3.79 a	7.06 a	9.6 a	15.32 a	19.76 a	4.08 a	7.24 a	10.77 a	18.31 a	23.77 a
	16	1.71 a*	3.53 a	6.81 a	9.35 a	15.08 a	19.51 a	3.8 a	6.98 a	10.5 a	18.01 a	23.45 a
	24	1.03 a*	3.01 a	6.3 a	8.85 a	14.6 a	19.01 a	3.25 a	6.46 a	9.96 a	17.41 a	22.82 a
14	12	1.66 a*	3.45 a	6.63 a	9.16 a	14.97 a	19.49 a	3.72 a	6.8 a	10.2 a	17.45 a	22.71 a
	16	1.21 a*	3.11 a	6.29 a	8.82 a	14.65 a	19.15 a	3.35 a	6.46 a	9.84 a	17.05 a	22.3 a
	24	0.3 a*	2.42 a	5.62 a	8.15 a	14 a	18.47 a	2.61 a	5.77 a	9.12 a	16.25 a	21.47 a
16	12	1.22 a*	3.06 a	6.1 a	8.54 a	14.17 a	18.63 a	3.31 a	6.28 a	9.52 a	16.36 a	21.39 a
	16	0.64 a*	2.62 a	5.67 a	8.12 a	13.76 a	18.19 a	2.84 a	5.85 a	9.06 a	15.87 a	20.87 a
	24		1.74 a	4.82 a	7.28 a	12.94 a	17.33 a	1.89 a	4.98 a	8.15 a	14.87 a	19.84 a

Notes

*Please see Combined Axial and Lateral Load Table Notes on page 37.

Complies with the 2021 International Building Code and AISI S100-16/S2-20

COMBINED AXIAL & LATERAL LOAD TABLES

20 psf Lateral Load									
Wall Height (ft)	Spacing (in.) o.c.	800S300-(mils)				800S350-(mils)			
		50 ksi				50 ksi			
		54	68	97	118	54	68	97	118
8	12	8.2 a	11.73 a	21.01 a	27.47 a	10.64 a	15.44 a	25.53 a	33.97 a
	16	8.08 a	11.61 a	20.87 a	27.33 a	10.51 a	15.31 a	25.38 a	33.82 a
	24	7.83 a	11.37 a	20.59 a	27.03 a	10.26 a	15.05 a	25.09 a	33.51 a
9	12	8.06 a	11.57 a	20.75 a	27.17 a	10.47 a	15.24 a	25.28 a	33.62 a
	16	7.91 a	11.42 a	20.58 a	26.99 a	10.3 a	15.07 a	25.1 a	33.43 a
	24	7.6 a	11.11 a	20.23 a	26.62 a	9.98 a	14.74 a	24.73 a	33.04 a
10	12	7.9 a	11.39 a	20.45 a	26.82 a	10.26 a	15 a	24.95 a	33.21 a
	16	7.71 a	11.2 a	20.23 a	26.6 a	10.07 a	14.8 a	24.72 a	32.98 a
	24	7.33 a	10.82 a	19.81 a	26.15 a	9.67 a	14.4 a	24.27 a	32.5 a
12	12	7.52 a	10.94 a	19.69 a	25.93 a	9.78 a	14.45 a	24.06 a	32.24 a
	16	7.25 a	10.67 a	19.39 a	25.62 a	9.51 a	14.16 a	23.74 a	31.91 a
	24	6.71 a	10.14 a	18.79 a	24.99 a	8.95 a	13.59 a	23.11 a	31.24 a
14	12	7.05 a	10.38 a	18.74 a	24.8 a	9.21 a	13.75 a	23 a	30.78 a
	16	6.69 a	10.02 a	18.34 a	24.38 a	8.84 a	13.38 a	22.58 a	30.34 a
	24	5.98 a	9.32 a	17.55 a	23.55 a	8.1 a	12.62 a	21.74 a	29.47 a
16	12	6.51 a	9.72 a	17.61 a	23.47 a	8.57 a	12.95 a	21.82 a	28.91 a
	16	6.06 a	9.27 a	17.11 a	22.94 a	8.1 a	12.48 a	21.29 a	28.37 a
	24	5.15 a	8.38 a	16.12 a	21.9 a	7.17 a	11.52 a	20.23 a	27.28 a

Notes

*Please see Combined Axial and Lateral Load Table Notes on page 37.

Complies with the 2021 International Building Code and AISI S100-16/S2-20

COMBINED AXIAL & LATERAL LOAD TABLES

25 psf Lateral Load

Wall Height (ft)	Spacing (in.) o.c.	362S137-(mils)				362S162-(mils)					362S200-(mils)				
		33 ksi		50 ksi		33 ksi		50 ksi			33 ksi		50 ksi		
		33	43	54	68	33	43	54	68	97	33	43	54	68	97
8	12	0.8 a	1.41 a	2.58 a	3.58 a	1.14 a	1.83 a	3.4 a	4.58 a	6.95 a	1.47 a	2.49 a	4.38 a	7.21 a	8.64 a
	16	0.53 b	1.14 a	2.36 a	3.39 a	0.84 a	1.54 a	3.16 a	4.37 a	6.73 a	1.14 a	2.17 a	4.11 a	6.88 a	8.41 a
	24		0.58 c	1.92 b	3 a	0.24 c	0.97 b	2.67 a	3.93 a	6.28 a	0.48 c	1.53 a	3.55 a	6.23 a	7.94 a
9	12	0.57 c	1.16 a	2.29 a	3.26 a	0.87 b	1.54 a	3.04 a	4.16 a	6.34 a	1.17 a	2.15 a	3.92 a	6.55 a	7.88 a
	16	0.23 d	0.82 c	2.02 b	3.03 a	0.5 c	1.19 b	2.75 a	3.89 a	6.08 a	0.76 c	1.76 a	3.59 a	6.16 a	7.61 a
	24		0.14 d	1.49 d	2.56 c		0.49 d	2.16 c	3.37 b	5.56 a	0.98 c	2.93 b	5.39 a	7.06 a	
10	12	0.32 d	0.89 c	1.98 b	2.9 a	0.59 c	1.16 b	2.66 a	3.7 a	5.69 a	0.85 c	1.79 a	3.44 a	5.82 a	7.08 a
	16		0.48 d	1.67 c	2.64 b	0.15 d	0.78 d	2.32 c	3.4 a	5.39 a	0.37 d	1.33 c	3.06 b	5.37 a	6.77 a
	24			1.05 e	2.1 d			1.65 d	2.8 c	4.8 b		0.41 d	2.29 d	4.49 c	6.14 a
12	12		0.32 e	1.36 d	2.18 c	0.01 e	0.65 d	1.86 d	2.76 c	4.35 a	0.2 e		2.44 c	4.32 b	5.45 a
	16			0.97 e	1.85 d		0.09 e	1.45 e	2.4 d	4 c		1.06 d	1.99 d	3.79 c	5.08 b
	24			0.2 f	1.19 e			0.63 f	1.68 e	3.29 d		0.47 e	1.07 e	2.74 e	4.35 d
14	12			0.79 e	1.52 e		0.04 f	1.17 e	1.95 e	3.23 d		0.36 e	1.6 e	3.05 d	4.1 c
	16			0.35 f	1.15 f			0.71 f	1.55 e	2.84 e			1.09 e	2.47 e	3.69 d
	24				0.39 f				0.74 f	2.06 f			0.07 f	1.3 f	2.88 e
16	12			0.32 f	0.98 f			0.62 f	1.31 f	2.34 e			0.93 f	2.06 e	3.05 d
	16				0.57 f			0.12 f	0.87 f	1.93 f			0.38 f	1.44 f	2.61 e
	24								1.09 f				0.19 f	1.74 f	

25 psf Lateral Load

Wall Height (ft)	Spacing (in.) o.c.	362S300-(mils)			600S137-(mils)					600S162-(mils)					
		50 ksi			33 ksi		50 ksi			33 ksi		50 ksi			
		54	68	97	33	43	54	68	97	33	43	54	68	97	118
8	12	5.08 a	7.28 a	11.16 a	1.36 a	2.11 a	3.47 a	4.71 a	7.23 a	2.01 a	2.99 a	5.2 a	7.05 a	10.96 a	13.79 a
	16	4.79 a	6.98 a	10.88 a	1.19 a	1.94 a	3.34 a	4.57 a	7.11 a	1.83 a	2.82 a	5.03 a	6.89 a	10.8 a	13.63 a
	24	4.2 a	6.38 a	10.33 a	0.84 a	1.61 a	3.06 a	4.31 a	6.87 a	1.47 a	2.47 a	4.7 a	6.58 a	10.47 a	13.29 a
9	12	4.64 a	6.64 a	10.36 a	1.22 a	1.98 a	3.36 a	4.6 a	7.14 a	1.85 a	2.85 a	5.06 a	6.92 a	10.83 a	13.66 a
	16	4.28 a	6.29 a	10.03 a	1.01 a	1.77 a	3.19 a	4.43 a	6.98 a	1.63 a	2.63 a	4.86 a	6.72 a	10.63 a	13.45 a
	24	3.56 a	5.57 a	9.37 a	0.57 a	1.35 a	2.85 a	4.09 a	6.68 a	1.17 a	2.2 a	4.44 a	6.33 a	10.21 a	13.03 a
10	12	4.17 a	5.99 a	9.38 a	1.07 a	1.83 a	3.24 a	4.48 a	7.03 a	1.68 a	2.68 a	4.9 a	6.78 a	10.69 a	13.51 a
	16	3.75 a	5.57 a	9 a	0.8 a	1.57 a	3.03 a	4.27 a	6.84 a	1.4 a	2.41 a	4.65 a	6.54 a	10.43 a	13.25 a
	24	2.91 c	4.74 a	8.24 a	0.26 b	1.05 a	2.61 a	3.86 a	6.46 a	0.85 a	1.88 a	4.13 a	6.05 a	9.93 a	12.73 a
12	12	3.25 b	4.69 a	7.36 a	0.72 a	1.49 a	2.96 a	4.21 a	6.78 a	1.29 a	2.28 a	4.43 a	6.33 a	10.35 a	13.17 a
	16	2.71 c	4.18 b	6.91 a	0.33 b	1.11 a	2.66 a	3.91 a	6.51 a	0.9 b	1.9 a	4.07 a	5.99 a	9.99 a	12.79 a
	24	1.62 a	3.14 d	6.01 b		0.36 c	2.05 b	3.31 a	5.97 a	0.12 d	1.15 b	3.35 a	5.3 a	9.26 a	12.04 a
14	12	2.28 d	3.44 c	5.64 a	0.3 c	1.08 b	2.63 a	3.88 a	6.49 a	0.84 c	1.81 a	3.85 a	5.68 a	9.64 a	12.76 a
	16	1.65 e	2.85 d	5.13 c		0.57 c	2.22 b	3.47 a	6.12 a	0.32 d	1.32 c	3.38 b	5.23 a	9.16 a	12.25 a
	24	0.38 f	1.68 e	4.13 d			1.39 d	2.66 c	5.38 b		0.32 d	2.45 d	4.33 c	8.2 a	11.23 a
16	12	1.42 e	2.4 d	4.27 c		0.61 d	2.25 c	3.51 b	6.15 a	0.35 d	1.29 c	3.19 b	4.91 a	8.54 a	11.37 a
	16	0.73 f	1.77 e	3.73 d			1.71 d	2.97 c	5.67 b		0.67 d	2.62 d	4.36 c	7.96 a	10.75 a
	24		0.5 f	2.64 e			0.63 e	1.91 e	4.71 d			1.49 e	3.27 d	6.79 c	9.52 b

Notes

*Please see Combined Axial and Lateral Load Table Notes on page 37.

Complies with the 2021 International Building Code and AISI S100-16/S2-20

COMBINED AXIAL & LATERAL LOAD TABLES

25 psf Lateral Load																
Wall Height (ft)	Spacing (in.) o.c.	600S200-(mils)						600S250-(mils)					600S300-(mils)			
		33 ksi		50 ksi				33 ksi		50 ksi			50 ksi			
		33	43	54	68	97	118	43	54	68	97	118	54	68	97	118
8	12	2.39 a	3.79 a	6.88 a	9.3 a	14.78 a	19.06 a	4.14 a	7.12 a	10.41 a	17.35 a	22.22 a	7.43 a	10.6 a	18.67 a	24.32 a
	16	2.19 a	3.59 a	6.68 a	9.1 a	14.59 a	18.86 a	3.93 a	6.93 a	10.19 a	17.11 a	21.98 a	7.23 a	10.39 a	18.43 a	24.08 a
	24	1.79 a	3.18 a	6.28 a	8.7 a	14.2 a	18.45 a	3.5 a	6.54 a	9.76 a	16.65 a	21.5 a	6.84 a	9.97 a	17.97 a	23.6 a
9	12	2.22 a	3.6 a	6.63 a	9.02 a	14.44 a	18.65 a	3.94 a	6.89 a	10.1 a	16.89 a	21.67 a	7.18 a	10.3 a	18.17 a	23.75 a
	16	1.97 a	3.34 a	6.38 a	8.77 a	14.2 a	18.4 a	3.67 a	6.64 a	9.83 a	16.59 a	21.37 a	6.94 a	10.04 a	17.89 a	23.45 a
	24	1.47 a	2.83 a	5.89 a	8.28 a	13.72 a	17.89 a	3.14 a	6.15 a	9.29 a	16.01 a	20.77 a	6.44 a	9.51 a	17.31 a	22.85 a
10	12	2.02 a	3.38 a	6.35 a	8.7 a	14.04 a	18.16 a	3.72 a	6.62 a	9.75 a	16.35 a	21.03 a	6.91 a	9.96 a	17.61 a	23.1 a
	16	1.72 a	3.07 a	6.05 a	8.4 a	13.75 a	17.86 a	3.39 a	6.32 a	9.42 a	16 a	20.67 a	6.61 a	9.64 a	17.27 a	22.74 a
	24	1.11 a	2.44 a	5.45 a	7.8 a	13.17 a	17.25 a	2.74 a	5.73 a	8.77 a	15.3 a	19.94 a	6.01 a	9 a	16.57 a	22.01 a
12	12	1.58 a	2.88 a	5.69 a	7.94 a	13.05 a	16.94 a	3.21 a	5.99 a	8.93 a	15.08 a	19.48 a	6.27 a	9.21 a	16.31 a	21.59 a
	16	1.16 a	2.44 a	5.28 a	7.53 a	12.65 a	16.52 a	2.75 a	5.58 a	8.48 a	14.6 a	18.99 a	5.85 a	8.76 a	15.83 a	21.1 a
	24	0.3 c	1.56 b	4.45 a	6.7 a	11.85 a	15.69 a	1.83 a	4.76 a	7.58 a	13.64 a	18 a	5.02 a	7.87 a	14.88 a	20.1 a
14	12	1.08 b	2.3 a	4.92 a	7.03 a	11.82 a	15.41 a	2.62 a	5.31 a	7.99 a	13.58 a	17.64 a	5.54 a	8.35 a	14.82 a	19.94 a
	16	0.52 c	1.73 b	4.39 a	6.5 a	11.31 a	14.88 a	2.02 a	4.77 a	7.41 a	12.97 a	17.01 a	5 a	7.77 a	14.21 a	19.3 a
	24		0.58 d	3.33 c	5.44 b	10.29 a	13.81 a	0.81 c	3.7 b	6.25 a	11.75 a	15.76 a	3.92 b	6.61 a	12.99 a	18.01 a
16	12	0.54 d	1.68 c	4.08 a	6.02 a	10.42 a	13.66 a	1.98 b	4.6 a	7 a	11.93 a	15.6 a	4.75 a	7.42 a	13.24 a	17.75 a
	16		0.97 d	3.44 c	5.38 b	9.81 a	13.02 a	1.22 c	3.93 b	6.29 a	11.2 a	14.86 a	4.09 b	6.7 a	12.5 a	16.98 a
	24			2.17 d	4.11 d	8.59 b	11.74 a		2.59 d	4.87 c	9.74 b	13.36 a	2.76 d	5.26 c	11.03 a	15.44 a

25 psf Lateral Load												
Wall Height (ft)	Spacing (in.) o.c.	800S137-(mils)					800S162-(mils)					
		33 ksi		50 ksi			33 ksi		50 ksi			
		33	43	54	68	97	33	43	54	68	97	118
8	12	1.36 a*	2.15 a	3.34 a	4.52 a	7.04 a	1.96 a*	3.02 a	5.13 a	6.95 a	10.98 a	14.05 a
	16	1.22 a*	2.03 a	3.25 a	4.43 a	6.96 a	1.79 a*	2.88 a	5.01 a	6.83 a	10.88 a	13.94 a
	24	0.93 a*	1.8 a	3.06 a	4.26 a	6.8 a	1.44 a*	2.6 a	4.76 a	6.59 a	10.66 a	13.72 a
9	12	1.24 a*	2.06 a	3.27 a	4.45 a	6.98 a	1.83 a*	2.91 a	5.03 a	6.85 a	10.9 a	13.96 a
	16	1.06 a*	1.91 a	3.15 a	4.34 a	6.87 a	1.61 a*	2.73 a	4.88 a	6.7 a	10.76 a	13.82 a
	24	0.7 a*	1.62 a	2.92 a	4.12 a	6.67 a	1.17 a*	2.38 a	4.57 a	6.4 a	10.48 a	13.54 a
10	12	1.12 a*	1.96 a	3.18 a	4.37 a	6.9 a	1.67 a*	2.79 a	4.92 a	6.75 a	10.8 a	13.86 a
	16	0.89 a*	1.78 a	3.04 a	4.23 a	6.78 a	1.4 a*	2.57 a	4.73 a	6.56 a	10.63 a	13.69 a
	24	0.45 a*	1.41 a	2.76 a	3.96 a	6.53 a	0.86 a*	2.13 a	4.35 a	6.19 a	10.29 a	13.35 a
12	12	0.82 a*	1.72 a	3 a	4.19 a	6.74 a	1.31 a*	2.5 a	4.67 a	6.5 a	10.57 a	13.64 a
	16	0.5 a*	1.46 a	2.79 a	3.99 a	6.56 a	0.92 a*	2.19 a	4.4 a	6.24 a	10.33 a	13.39 a
	24		0.94 a	2.38 a	3.6 a	6.2 a	0.14 a*	1.56 a	3.85 a	5.7 a	9.84 a	12.9 a
14	12	0.47 a*	1.44 a	2.77 a	3.98 a	6.55 a	0.89 a*	2.16 a	4.38 a	6.21 a	10.31 a	13.37 a
	16	0.04 a*	1.08 a	2.49 a	3.71 a	6.3 a	0.36 a*	1.73 a	4 a	5.85 a	9.97 a	13.03 a
	24		0.38 b	1.94 a	3.17 a	5.82 a		0.88 a	3.26 a	5.13 a	9.3 a	12.36 a
16	12	0.07 b*	1.11 a	2.52 a	3.73 a	6.32 a	0.4 a*	1.77 a	4.03 a	5.88 a	10 a	13.06 a
	16		0.65 b	2.15 a	3.38 a	6.01 a		1.21 a	3.55 a	5.41 a	9.56 a	12.62 a
	24			1.42 c	2.67 b	5.37 a		0.1 c	2.57 b	4.46 a	8.69 a	11.75 a

Notes

*Please see Combined Axial and Lateral Load Table Notes on page 37.

Complies with the 2021 International Building Code and AISI S100-16/S2-20

COMBINED AXIAL & LATERAL LOAD TABLES

25 psf Lateral Load												
Wall Height (ft)	Spacing (in.) o.c.	800S200-(mils)						800S250-(mils)				
		33 ksi		50 ksi				33 ksi		50 ksi		
		33	43	54	68	97	118	43	54	68	97	118
8	12	2.5 a*	4.14 a	7.41 a	9.94 a	15.64 a	20.1 a	4.52 a	7.78 a	11.36 a	19.14 a	25 a
	16	2.32 a*	4 a	7.26 a	9.8 a	15.5 a	19.96 a	4.36 a	7.63 a	11.21 a	18.97 a	24.82 a
	24	1.94 a*	3.71 a	6.98 a	9.52 a	15.24 a	19.68 a	4.05 a	7.33 a	10.9 a	18.63 a	24.46 a
9	12	2.35 a*	4.03 a	7.29 a	9.83 a	15.53 a	19.99 a	4.38 a	7.63 a	11.2 a	18.93 a	24.72 a
	16	2.12 a*	3.85 a	7.12 a	9.65 a	15.36 a	19.81 a	4.19 a	7.44 a	11.01 a	18.71 a	24.49 a
	24	1.64 a*	3.48 a	6.76 a	9.3 a	15.02 a	19.46 a	3.79 a	7.07 a	10.62 a	18.28 a	24.04 a
10	12	2.19 a*	3.9 a	7.17 a	9.7 a	15.41 a	19.86 a	4.23 a	7.45 a	11.02 a	18.69 a	24.38 a
	16	1.89 a*	3.67 a	6.95 a	9.48 a	15.2 a	19.65 a	3.99 a	7.23 a	10.78 a	18.42 a	24.11 a
	24	1.31 a*	3.23 a	6.51 a	9.05 a	14.79 a	19.21 a	3.5 a	6.77 a	10.3 a	17.89 a	23.55 a
12	12	1.79 a*	3.59 a	6.87 a	9.41 a	15.14 a	19.58 a	3.87 a	7.05 a	10.57 a	18.09 a	23.53 a
	16	1.37 a*	3.27 a	6.55 a	9.1 a	14.84 a	19.26 a	3.52 a	6.72 a	10.23 a	17.71 a	23.14 a
	24	0.53 a*	2.63 a	5.92 a	8.48 a	14.24 a	18.64 a	2.83 a	6.07 a	9.55 a	16.96 a	22.35 a
14	12	1.32 a*	3.19 a	6.38 a	8.91 a	14.73 a	19.24 a	3.44 a	6.54 a	9.93 a	17.15 a	22.4 a
	16	0.75 a*	2.76 a	5.96 a	8.49 a	14.32 a	18.81 a	2.98 a	6.11 a	9.48 a	16.65 a	21.88 a
	24		1.9 a	5.11 a	7.65 a	13.51 a	17.96 a	2.05 a	5.25 a	8.58 a	15.66 a	20.85 a
16	12	0.79 a*	2.73 a	5.78 a	8.23 a	13.86 a	18.3 a	2.96 a	5.96 a	9.18 a	15.99 a	21 a
	16	0.06 b*	2.18 a	5.25 a	7.7 a	13.35 a	17.76 a	2.37 a	5.41 a	8.61 a	15.37 a	20.35 a
	24		1.08 c	4.18 a	6.65 a	12.33 a	16.68 a	1.18 b	4.32 a	7.47 a	14.12 a	19.06 a

25 psf Lateral Load									
Wall Height (ft)	Spacing (in.) o.c.	800S300-(mils)				800S350-(mils)			
		50 ksi				50 ksi			
		54	68	97	118	54	68	97	118
8	12	8.11 a	11.64 a	20.9 a	27.36 a	10.55 a	15.34 a	25.42 a	33.86 a
	16	7.96 a	11.49 a	20.73 a	27.18 a	10.39 a	15.18 a	25.24 a	33.67 a
	24	7.65 a	11.18 a	20.38 a	26.82 a	10.06 a	14.85 a	24.87 a	33.28 a
9	12	7.95 a	11.46 a	20.62 a	27.04 a	10.34 a	15.11 a	25.14 a	33.48 a
	16	7.75 a	11.26 a	20.4 a	26.81 a	10.14 a	14.91 a	24.91 a	33.23 a
	24	7.36 a	10.88 a	19.96 a	26.35 a	9.74 a	14.49 a	24.45 a	32.75 a
10	12	7.76 a	11.25 a	20.29 a	26.65 a	10.12 a	14.85 a	24.78 a	33.03 a
	16	7.52 a	11.01 a	20.02 a	26.37 a	9.87 a	14.6 a	24.5 a	32.74 a
	24	7.05 a	10.54 a	19.49 a	25.81 a	9.37 a	14.1 a	23.93 a	32.15 a
12	12	7.32 a	10.74 a	19.47 a	25.69 a	9.57 a	14.23 a	23.82 a	31.99 a
	16	6.98 a	10.4 a	19.09 a	25.3 a	9.23 a	13.87 a	23.43 a	31.58 a
	24	6.31 a	9.74 a	18.34 a	24.51 a	8.53 a	13.16 a	22.63 a	30.74 a
14	12	6.78 a	10.11 a	18.44 a	24.49 a	8.94 a	13.47 a	22.69 a	30.45 a
	16	6.34 a	9.67 a	17.95 a	23.97 a	8.47 a	13 a	22.16 a	29.91 a
	24	5.44 a	8.79 a	16.96 a	22.93 a	7.55 a	12.05 a	21.11 a	28.81 a
16	12	6.17 a	9.39 a	17.24 a	23.07 a	8.22 a	12.6 a	21.42 a	28.5 a
	16	5.61 a	8.83 a	16.62 a	22.42 a	7.63 a	12 a	20.76 a	27.82 a
	24	4.47 a	7.72 a	15.38 a	21.12 a	6.47 a	10.81 a	19.43 a	26.47 a

Notes

*Please see Combined Axial and Lateral Load Table Notes on page 37.

Complies with the 2021 International Building Code and AISI S100-16/S2-20

COMBINED AXIAL & LATERAL LOAD TABLES

30 psf Lateral Load

Wall Height (ft)	Spacing (in.) o.c.	362S137-(mils)				362S162-(mils)					362S200-(mils)				
		33 ksi		50 ksi		33 ksi		50 ksi			33 ksi		50 ksi		
		33	43	54	68	33	43	54	68	97	33	43	54	68	97
8	12	0.63 b	1.25 a	2.45 a	3.47 a	0.96 a	1.66 a	3.25 a	4.45 a	6.82 a	1.27 a	2.3 a	4.22 a	7.01 a	8.5 a
	16	0.31 c	0.92 b	2.18 a	3.24 a	0.6 b	1.31 a	2.96 a	4.19 a	6.55 a	0.87 b	1.92 a	3.88 a	6.62 a	8.22 a
	24		0.25 d	1.65 c	2.77 b		0.63 c	2.38 b	3.67 a	6.02 a	0.08 d	1.15 b	3.22 a	5.84 a	7.66 a
9	12	0.36 c	0.96 b	2.13 a	3.12 a	0.65 c	1.33 a	2.86 a	4 a	6.19 a	0.93 b	1.92 a	3.72 a	6.32 a	7.72 a
	16		0.55 d	1.81 c	2.84 b	0.21 d	0.91 c	2.51 b	3.69 a	5.87 a	0.44 c	1.45 b	3.32 a	5.85 a	7.39 a
	24			1.17 d	2.29 d		0.07 d	1.82 d	3.06 c	5.24 a		0.51 d	2.53 c	4.92 b	6.73 a
10	12	0.07 e	0.65 d	1.79 c	2.74 b	0.33 d	0.93 c	2.45 b	3.52 a	5.51 a	0.56 c	1.52 b	3.21 a	5.55 a	6.89 a
	16		0.16 e	1.42 d	2.42 c		0.47 d	2.05 c	3.16 b	5.15 a		0.96 d	2.75 c	5.02 b	6.52 a
	24			0.68 e	1.77 e			1.24 e	2.44 d	4.44 c			1.84 d	3.96 d	5.77 b
12	12			1.13 e	1.98 d		0.32 e	1.61 d	2.54 d	4.14 b		0.7 d	2.17 d	4 c	5.23 a
	16			0.66 e	1.58 e			1.12 e	2.11 e	3.72 d			1.62 e	3.37 d	4.79 c
	24			0.79 f				0.14 f	1.24 f	2.87 e			0.53 f	2.11 e	3.9 d
14	12			0.53 f	1.3 e			0.9 f	1.71 e	3 d			1.29 e	2.7 e	3.86 d
	16				0.84 f			0.35 f	1.22 f	2.53 e			0.68 f	2 e	3.37 e
	24								0.25 f	1.59 f				0.6 f	2.39 f
16	12			0.03 f	0.73 f			0.32 f	1.04 f	2.09 e			0.6 f	1.69 f	2.79 e
	16				0.24 f				0.52 f	1.59 f				0.94 f	2.27 f
	24									0.59 f					1.22 f

30 psf Lateral Load

Wall Height (ft)	Spacing (in.) o.c.	362S250-(mils)				362S300-(mils)			600S137-(mils)				
		33 ksi		50 ksi		50 ksi			33 ksi		50 ksi		
		43	54	68	97	54	68	97	33	43	54	68	97
8	12	2.68 a	4.83 a	6.64 a	9.76 a	4.9 a	7.1 a	10.99 a	1.26 a	2.01 a	3.39 a	4.63 a	7.16 a
	16	2.26 a	4.47 a	6.29 a	9.43 a	4.55 a	6.74 a	10.66 a	1.05 a	1.81 a	3.23 a	4.47 a	7.02 a
	24	1.43 b	3.75 a	5.58 a	8.78 a	3.84 a	6.02 a	10 a	0.64 a	1.41 a	2.9 a	4.15 a	6.73 a
9	12	2.28 a	4.35 a	5.95 a	8.87 a	4.42 a	6.43 a	10.16 a	1.09 a	1.85 a	3.26 a	4.5 a	7.04 a
	16	1.77 a	3.91 a	5.53 a	8.49 a	3.99 a	6 a	9.77 a	0.83 a	1.6 a	3.05 a	4.3 a	6.86 a
	24	0.75 c	3.04 b	4.7 a	7.72 a	3.14 b	5.13 a	8.97 a	0.31 a	1.09 a	2.64 a	3.89 a	6.5 a
10	12	1.86 a	3.82 a	5.24 a	7.95 a	3.91 a	5.74 a	9.15 a	0.91 a	1.67 a	3.12 a	4.36 a	6.92 a
	16	1.25 c	3.31 b	4.76 a	7.51 a	3.41 a	5.24 a	8.7 a	0.59 a	1.36 a	2.86 a	4.11 a	6.69 a
	24	0.03 d	2.29 d	3.81 c	6.64 a	2.41 c	4.24 b	7.79 a		0.74 a	2.35 a	3.61 a	6.24 a
12	12	0.94 d	2.63 c	3.82 b	6.09 a	2.92 c	4.38 a	7.09 a	0.48 b	1.26 a	2.78 a	4.03 a	6.62 a
	16	0.16 e	2.02 d	3.25 c	5.56 b	2.27 d	3.76 c	6.55 a	0.02 c	0.81 b	2.41 a	3.67 a	6.29 a
	24		0.79 e	2.11 e	4.52 d	0.97 e	2.52 d	5.47 c			1.68 c	2.95 b	5.64 a
14	12	0.08 e	1.61 e	2.63 d	4.51 c	1.9 e	3.09 d	5.34 b		0.78 c	2.38 b	3.64 a	6.27 a
	16		0.93 e	1.99 e	3.93 d	1.14 e	2.39 e	4.73 d		0.17 d	1.89 c	3.15 b	5.82 a
	24		-0.44 f	0.72 f	2.77 e		0.98 f	3.52 e			0.89 e	2.17 d	4.94 c
16	12		0.81 f	1.68 e	3.27 d	1 f	2.02 e	3.95 d		0.21 d	1.93 d	3.19 c	5.86 a
	16		0.07 f	1 f	2.65 e	0.18 f	1.26 f	3.29 e			1.28 e	2.55 d	5.28 c
	24				1.4 f			1.99 f				1.27 e	4.13 d

Notes

*Please see Combined Axial and Lateral Load Table Notes on page 37.

Complies with the 2021 International Building Code and AISI S100-16/S2-20

COMBINED AXIAL & LATERAL LOAD TABLES

30 psf Lateral Load													
Wall Height (ft)	Spacing (in.) o.c.	600S162-(mils)						600S200-(mils)					
		33 ksi		50 ksi				33 ksi		50 ksi			
		33	43	54	68	97	118	33	43	54	68	97	118
8	12	1.9 a	2.89 a	5.1 a	6.95 a	10.86 a	13.69 a	2.27 a	3.67 a	6.76 a	9.18 a	14.66 a	18.94 a
	16	1.68 a	2.68 a	4.9 a	6.76 a	10.67 a	13.49 a	2.03 a	3.42 a	6.52 a	8.94 a	14.43 a	18.69 a
	24	1.25 a	2.27 a	4.5 a	6.39 a	10.28 a	13.09 a	1.56 a	2.93 a	6.04 a	8.46 a	13.97 a	18.21 a
9	12	1.72 a	2.72 a	4.94 a	6.8 a	10.71 a	13.54 a	2.07 a	3.45 a	6.48 a	8.87 a	14.29 a	18.5 a
	16	1.45 a	2.46 a	4.69 a	6.56 a	10.46 a	13.28 a	1.77 a	3.14 a	6.19 a	8.58 a	14.01 a	18.2 a
	24	0.9 a	1.94 a	4.19 a	6.09 a	9.97 a	12.78 a	1.17 a	2.52 a	5.59 a	7.98 a	13.43 a	17.59 a
10	12	1.52 a	2.52 a	4.75 a	6.63 a	10.53 a	13.36 a	1.84 a	3.19 a	6.17 a	8.52 a	13.86 a	17.98 a
	16	1.18 a	2.2 a	4.44 a	6.34 a	10.23 a	13.04 a	1.48 a	2.81 a	5.81 a	8.16 a	13.51 a	17.61 a
	24	0.52 b	1.56 a	3.82 a	5.75 a	9.62 a	12.42 a	0.74 a	2.06 a	5.09 a	7.44 a	12.82 a	16.88 a
12	12	1.05 a	2.05 a	4.21 a	6.13 a	10.13 a	12.94 a	1.33 a	2.61 a	5.44 a	7.69 a	12.81 a	16.69 a
	16	0.58 c	1.6 a	3.78 a	5.71 a	9.69 a	12.49 a	0.81 b	2.09 a	4.95 a	7.2 a	12.33 a	16.19 a
	24		0.7 c	2.92 b	4.88 a	8.82 a	11.59 a		1.03 c	3.95 b	6.2 a	11.37 a	15.18 a
14	12	0.53 c	1.51 b	3.57 a	5.41 a	9.35 a	12.46 a	0.75 c	1.96 a	4.6 a	6.71 a	11.51 a	15.09 a
	16		0.92 d	3.01 c	4.87 a	8.77 a	11.84 a	0.07 d	1.27 c	3.97 b	6.08 a	10.9 a	14.45 a
	24			1.89 d	3.79 c	7.62 b	10.62 a			2.7 d	4.8 c	9.68 a	13.17 a
16	12		0.92 d	2.85 c	4.58 b	8.19 a	11 a	0.12 d	1.25 c	3.7 b	5.64 a	10.06 a	13.27 a
	16		0.18 e	2.17 d	3.92 c	7.49 b	10.26 a		0.4 d	2.94 d	4.87 c	9.32 a	12.51 a
	24			0.81 e	2.61 e	6.09 d	8.78 c			1.41 e	3.35 d	7.86 c	10.98 b

30 psf Lateral Load														
Wall Height (ft)	Spacing (in.) o.c.	600S250-(mils)					600S300-(mils)				600S350-(mils)			
		33 ksi		50 ksi			50 ksi				50 ksi			
		43	54	68	97	118	54	68	97	118	54	68	97	118
8	12	4.01 a	7.01 a	10.28 a	17.21 a	22.07 a	7.31 a	10.48 a	18.53 a	24.18 a	9.58 a	14.04 a	23.11 a	30.65 a
	16	3.76 a	6.77 a	10.02 a	16.93 a	21.79 a	7.07 a	10.22 a	18.25 a	23.89 a	9.33 a	13.77 a	22.81 a	30.34 a
	24	3.25 a	6.3 a	9.51 a	16.37 a	21.21 a	6.6 a	9.72 a	17.69 a	23.32 a	8.83 a	13.23 a	22.22 a	29.73 a
9	12	3.78 a	6.74 a	9.94 a	16.71 a	21.49 a	7.04 a	10.14 a	18 a	23.57 a	9.24 a	13.63 a	22.51 a	29.75 a
	16	3.46 a	6.45 a	9.61 a	16.36 a	21.13 a	6.74 a	9.82 a	17.66 a	23.21 a	8.93 a	13.29 a	22.14 a	29.37 a
	24	2.82 a	5.86 a	8.97 a	15.67 a	20.41 a	6.15 a	9.19 a	16.96 a	22.49 a	8.3 a	12.61 a	21.4 a	28.61 a
10	12	3.52 a	6.44 a	9.55 a	16.14 a	20.81 a	6.73 a	9.76 a	17.4 a	22.88 a	8.87 a	13.16 a	21.85 a	28.75 a
	16	3.13 a	6.08 a	9.16 a	15.72 a	20.38 a	6.37 a	9.38 a	16.99 a	22.45 a	8.48 a	12.75 a	21.4 a	28.29 a
	24	2.34 a	5.37 a	8.38 a	14.88 a	19.51 a	5.65 a	8.61 a	16.15 a	21.58 a	7.72 a	11.93 a	20.5 a	27.38 a
12	12	2.93 a	5.75 a	8.66 a	14.79 a	19.18 a	6.02 a	8.94 a	16.02 a	21.3 a	8.01 a	12.1 a	20.37 a	26.46 a
	16	2.38 a	5.25 a	8.12 a	14.22 a	18.59 a	5.52 a	8.41 a	15.45 a	20.7 a	7.49 a	11.53 a	19.75 a	25.84 a
	24	1.28 b	4.26 a	7.04 a	13.06 a	17.41 a	4.52 a	7.34 a	14.31 a	19.5 a	6.43 a	10.4 a	18.51 a	24.6 a
14	12	2.26 a	4.99 a	7.64 a	13.21 a	17.26 a	5.22 a	8 a	14.46 a	19.55 a	7.05 a	10.89 a	18.53 a	23.88 a
	16	1.53 b	4.34 a	6.95 a	12.48 a	16.51 a	4.57 a	7.31 a	13.72 a	18.78 a	6.37 a	10.16 a	17.74 a	23.1 a
	24	0.08 d	3.05 c	5.55 b	11.02 a	15.01 a	3.27 c	5.92 b	12.26 a	17.24 a	5.02 b	8.7 a	16.15 a	21.53 a
16	12	1.53 c	4.2 b	6.57 a	11.49 a	15.15 a	4.35 a	6.99 a	12.8 a	17.29 a	6.03 a	9.59 a	16.27 a	21.14 a
	16	0.62 d	3.39 c	5.72 b	10.62 a	14.26 a	3.56 c	6.12 b	11.91 a	16.36 a	5.2 b	8.7 a	15.32 a	20.21 a
	24		1.78 e	4.01 d	8.87 c	12.46 b	1.96 d	4.4 d	10.14 b	14.52 a	3.54 d	6.9 c	13.43 a	18.34 a

Notes

*Please see Combined Axial and Lateral Load Table Notes on page 37.

Complies with the 2021 International Building Code and AISI S100-16/S2-20

COMBINED AXIAL & LATERAL LOAD TABLES

30 psf Lateral Load												
Wall Height (ft)	Spacing (in.) o.c.	800S137-(mils)					800S162-(mils)					
		33 ksi		50 ksi			33 ksi		50 ksi			
		33	43	54	68	97	33	43	54	68	97	
8	12	1.27 a*	2.08 a	3.28 a	4.47 a	6.99 a	1.86 a*	2.94 a	5.06 a	6.88 a	10.92 a	13.98 a
	16	1.1 a*	1.94 a	3.17 a	4.36 a	6.9 a	1.65 a*	2.77 a	4.91 a	6.73 a	10.79 a	13.85 a
	24	0.76 a*	1.67 a	2.96 a	4.15 a	6.7 a	1.23 a*	2.44 a	4.62 a	6.45 a	10.53 a	13.59 a
9	12	1.14 a*	1.97 a	3.2 a	4.38 a	6.91 a	1.69 a*	2.8 a	4.94 a	6.76 a	10.81 a	13.88 a
	16	0.92 a*	1.8 a	3.06 a	4.25 a	6.79 a	1.43 a*	2.59 a	4.76 a	6.58 a	10.65 a	13.71 a
	24	0.48 a*	1.45 a	2.78 a	3.98 a	6.55 a	0.9 a*	2.17 a	4.39 a	6.22 a	10.32 a	13.38 a
10	12	0.98 a*	1.85 a	3.1 a	4.29 a	6.83 a	1.51 a*	2.66 a	4.81 a	6.64 a	10.7 a	13.76 a
	16	0.72 a*	1.63 a	2.93 a	4.12 a	6.68 a	1.18 a*	2.39 a	4.58 a	6.41 a	10.49 a	13.55 a
	24	0.18 a*	1.2 a	2.59 a	3.79 a	6.38 a	0.53 a*	1.87 a	4.12 a	5.97 a	10.08 a	13.14 a
12	12	0.63 a*	1.56 a	2.87 a	4.07 a	6.63 a	1.08 a*	2.31 a	4.51 a	6.34 a	10.43 a	13.49 a
	16	0.24 a*	1.25 a	2.63 a	3.83 a	6.42 a	0.61 a*	1.94 a	4.18 a	6.02 a	10.13 a	13.19 a
	24		0.63 a	2.13 a	3.36 a	5.99 a		1.19 a	3.52 a	5.38 a	9.54 a	12.6 a
14	12	0.21 a*	1.22 a	2.61 a	3.81 a	6.4 a	0.57 a*	1.9 a	4.15 a	6 a	10.11 a	13.17 a
	16		0.8 a	2.27 a	3.49 a	6.11 a		1.39 a	3.7 a	5.56 a	9.7 a	12.76 a
	24			1.6 b	2.84 a	5.52 a		0.37 b	2.81 a	4.69 a	8.9 a	11.96 a
16	12		0.84 a	2.3 a	3.52 a	6.13 a		1.44 a	3.74 a	5.6 a	9.74 a	12.8 a
	16		0.28 c	1.86 b	3.09 a	5.75 a		0.77 b	3.16 a	5.03 a	9.21 a	12.27 a
	24			0.98 d	2.25 c	4.99 a			1.99 c	3.89 b	8.16 a	11.22 a

30 psf Lateral Load												
Wall Height (ft)	Spacing (in.) o.c.	800S200-(mils)						800S250-(mils)				
		33 ksi		50 ksi				33 ksi	50 ksi			
		33	43	54	68	97	118	43	54	68	97	118
8	12	2.39 a*	4.06 a	7.32 a	9.85 a	15.56 a	20.02 a	4.43 a	7.69 a	11.27 a	19.04 a	24.89 a
	16	2.16 a*	3.88 a	7.15 a	9.69 a	15.4 a	19.85 a	4.24 a	7.51 a	11.09 a	18.83 a	24.68 a
	24	1.71 a*	3.54 a	6.81 a	9.35 a	15.08 a	19.51 a	3.86 a	7.16 a	10.72 a	18.42 a	24.25 a
9	12	2.21 a*	3.92 a	7.19 a	9.72 a	15.43 a	19.88 a	4.26 a	7.51 a	11.08 a	18.8 a	24.58 a
	16	1.93 a*	3.7 a	6.97 a	9.51 a	15.23 a	19.67 a	4.03 a	7.29 a	10.85 a	18.54 a	24.31 a
	24	1.35 a*	3.26 a	6.54 a	9.09 a	14.82 a	19.25 a	3.55 a	6.85 a	10.38 a	18.02 a	23.77 a
10	12	2.01 a*	3.76 a	7.04 a	9.57 a	15.29 a	19.73 a	4.08 a	7.32 a	10.87 a	18.53 a	24.22 a
	16	1.66 a*	3.49 a	6.77 a	9.31 a	15.04 a	19.47 a	3.79 a	7.04 a	10.59 a	18.21 a	23.88 a
	24	0.95 a*	2.96 a	6.24 a	8.79 a	14.54 a	18.95 a	3.21 a	6.5 a	10.01 a	17.57 a	23.22 a
12	12	1.54 a*	3.4 a	6.68 a	9.23 a	14.96 a	19.39 a	3.66 a	6.85 a	10.36 a	17.86 a	23.3 a
	16	1.03 a*	3.01 a	6.3 a	8.85 a	14.6 a	19.01 a	3.25 a	6.46 a	9.96 a	17.41 a	22.82 a
	24	0.02 a*	2.24 a	5.54 a	8.1 a	13.88 a	18.26 a	2.42 a	5.69 a	9.14 a	16.51 a	21.88 a
14	12	0.98 a*	2.93 a	6.12 a	8.66 a	14.48 a	18.98 a	3.17 a	6.28 a	9.66 a	16.85 a	22.09 a
	16	0.3 a*	2.42 a	5.62 a	8.15 a	14 a	18.47 a	2.61 a	5.77 a	9.12 a	16.25 a	21.47 a
	24		1.38 a	4.61 a	7.15 a	13.03 a	17.44 a	1.5 a	4.74 a	8.04 a	15.06 a	20.23 a
16	12	0.35 a*	2.4 a	5.46 a	7.91 a	13.56 a	17.98 a	2.6 a	5.63 a	8.83 a	15.62 a	20.61 a
	16		1.74 a	4.82 a	7.28 a	12.94 a	17.33 a	1.89 a	4.98 a	8.15 a	14.87 a	19.84 a
	24		0.42 c	3.55 b	6.01 a	11.72 a	16.03 a	0.47 c	3.67 b	6.79 a	13.38 a	18.28 a

Notes

*Please see Combined Axial and Lateral Load Table Notes on page 37.

Complies with the 2021 International Building Code and AISI S100-16/S2-20

COMBINED AXIAL & LATERAL LOAD TABLES

30 psf Lateral Load									
Wall Height (ft)	Spacing (in.) o.c.	800S300-(mils)				800S350-(mils)			
		50 ksi				50 ksi			
		54	68	97	118	54	68	97	118
8	12	8.02 a	11.55 a	20.8 a	27.25 a	10.45 a	15.24 a	25.31 a	33.74 a
	16	7.83 a	11.37 a	20.59 a	27.03 a	10.26 a	15.05 a	25.09 a	33.51 a
	24	7.46 a	11 a	20.17 a	26.6 a	9.87 a	14.65 a	24.65 a	33.05 a
9	12	7.83 a	11.34 a	20.49 a	26.9 a	10.22 a	14.99 a	25 a	33.33 a
	16	7.6 a	11.11 a	20.23 a	26.62 a	9.98 a	14.74 a	24.73 a	33.04 a
	24	7.13 a	10.65 a	19.7 a	26.08 a	9.49 a	14.25 a	24.17 a	32.46 a
10	12	7.62 a	11.11 a	20.13 a	26.48 a	9.97 a	14.7 a	24.61 a	32.86 a
	16	7.33 a	10.82 a	19.81 a	26.15 a	9.67 a	14.4 a	24.27 a	32.5 a
	24	6.76 a	10.26 a	19.17 a	25.48 a	9.07 a	13.79 a	23.59 a	31.8 a
12	12	7.12 a	10.54 a	19.24 a	25.46 a	9.37 a	14.02 a	23.58 a	31.74 a
	16	6.71 a	10.14 a	18.79 a	24.99 a	8.95 a	13.59 a	23.11 a	31.24 a
	24	5.9 a	9.34 a	17.89 a	24.04 a	8.11 a	12.73 a	22.15 a	30.24 a
14	12	6.52 a	9.85 a	18.14 a	24.17 a	8.66 a	13.19 a	22.37 a	30.13 a
	16	5.98 a	9.32 a	17.55 a	23.55 a	8.1 a	12.62 a	21.74 a	29.47 a
	24	4.9 a	8.26 a	16.36 a	22.3 a	7 a	11.49 a	20.48 a	28.16 a
16	12	5.83 a	9.05 a	16.86 a	22.68 a	7.87 a	12.24 a	21.02 a	28.1 a
	16	5.15 a	8.38 a	16.12 a	21.9 a	7.17 a	11.52 a	20.23 a	27.28 a
	24	3.79 a	7.05 a	14.63 a	20.34 a	5.77 a	10.09 a	18.64 a	25.65 a

30 psf Lateral Load												
Wall Height (ft)	Spacing (in.) o.c.	800S200-(mils)						800S250-(mils)				
		33 ksi		50 ksi				33 ksi		50 ksi		
		33	43	54	68	97	118	43	54	68	97	118
8	12	2.39 a*	4.06 a	7.32 a	9.85 a	15.56 a	20.02 a	4.43 a	7.69 a	11.27 a	19.04 a	24.89 a
	16	2.16 a*	3.88 a	7.15 a	9.69 a	15.4 a	19.85 a	4.24 a	7.51 a	11.09 a	18.83 a	24.68 a
	24	1.71 a*	3.54 a	6.81 a	9.35 a	15.08 a	19.51 a	3.86 a	7.16 a	10.72 a	18.42 a	24.25 a
9	12	2.21 a*	3.92 a	7.19 a	9.72 a	15.43 a	19.88 a	4.26 a	7.51 a	11.08 a	18.8 a	24.58 a
	16	1.93 a*	3.7 a	6.97 a	9.51 a	15.23 a	19.67 a	4.03 a	7.29 a	10.85 a	18.54 a	24.31 a
	24	1.35 a*	3.26 a	6.54 a	9.09 a	14.82 a	19.25 a	3.55 a	6.85 a	10.38 a	18.02 a	23.77 a
10	12	2.01 a*	3.76 a	7.04 a	9.57 a	15.29 a	19.73 a	4.08 a	7.32 a	10.87 a	18.53 a	24.22 a
	16	1.66 a*	3.49 a	6.77 a	9.31 a	15.04 a	19.47 a	3.79 a	7.04 a	10.59 a	18.21 a	23.88 a
	24	0.95 a*	2.96 a	6.24 a	8.79 a	14.54 a	18.95 a	3.21 a	6.5 a	10.01 a	17.57 a	23.22 a
12	12	1.54 a*	3.4 a	6.68 a	9.23 a	14.96 a	19.39 a	3.66 a	6.85 a	10.36 a	17.86 a	23.3 a
	16	1.03 a*	3.01 a	6.3 a	8.85 a	14.6 a	19.01 a	3.25 a	6.46 a	9.96 a	17.41 a	22.82 a
	24	0.02 a*	2.24 a	5.54 a	8.1 a	13.88 a	18.26 a	2.42 a	5.69 a	9.14 a	16.51 a	21.88 a
14	12	0.98 a*	2.93 a	6.12 a	8.66 a	14.48 a	18.98 a	3.17 a	6.28 a	9.66 a	16.85 a	22.09 a
	16	0.3 a*	2.42 a	5.62 a	8.15 a	14 a	18.47 a	2.61 a	5.77 a	9.12 a	16.25 a	21.47 a
	24		1.38 a	4.61 a	7.15 a	13.03 a	17.44 a	1.5 a	4.74 a	8.04 a	15.06 a	20.23 a
16	12	0.35 a*	2.4 a	5.46 a	7.91 a	13.56 a	17.98 a	2.6 a	5.63 a	8.83 a	15.62 a	20.61 a
	16		1.74 a	4.82 a	7.28 a	12.94 a	17.33 a	1.89 a	4.98 a	8.15 a	14.87 a	19.84 a
	24		0.42 c	3.55 b	6.01 a	11.72 a	16.03 a	0.47 c	3.67 b	6.79 a	13.38 a	18.28 a

Notes

*Please see Combined Axial and Lateral Load Table Notes on page 37.

Complies with the 2021 International Building Code and AISI S100-16/S2-20

COMBINED AXIAL & LATERAL LOAD TABLES

35 psf Lateral Load

Wall Height (ft)	Spacing (in.) o.c.	362S137-(mils)				362S162-(mils)					362S200-(mils)				
		33 ksi		50 ksi		33 ksi		50 ksi			33 ksi		50 ksi		
		33	43	54	68	33	43	54	68	97	33	43	54	68	97
8	12	0.47 b	1.08 a	2.32 a	3.35 a	0.78 b	1.49 a	3.11 a	4.32 a	6.68 a	1.07 a	2.11 a	4.05 a	6.82 a	8.36 a
	16	0.09 d	0.69 c	2.01 b	3.08 a	0.36 c	1.09 b	2.77 a	4.02 a	6.37 a	0.61 b	1.66 a	3.66 a	6.36 a	8.04 a
	24			1.39 d	2.54 c		0.28 d	2.09 c	3.4 b	5.75 a		0.76 c	2.88 b	5.46 a	7.38 a
9	12	0.16 d	0.75 c	1.97 b	2.98 a	0.43 c	1.12 b	2.69 a	3.84 a	6.03 a	0.68 c	1.68 a	3.52 a	6.08 a	7.55 a
	16		0.27 d	1.6 c	2.66 b		0.63 d	2.28 c	3.48 b	5.66 a	0.11 d	1.14 c	3.06 b	5.54 a	7.17 a
	24			0.85 e	2.01 d			1.47 d	2.75 d	4.93 b		0.04 d	2.13 d	4.46 c	6.4 a
10	12		0.4 d	1.61 c	2.58 c	0.07 e	0.7 d	2.25 c	3.34 b	5.33 a	0.27 d	1.24 c	2.98 b	5.29 a	6.7 a
	16			1.17 d	2.2 d		0.16 e	1.78 d	2.92 c	4.91 b		0.6 d	2.45 c	4.67 b	6.27 a
	24			0.3 e	1.45 e			0.84 e	2.08 e	4.08 d			1.38 e	3.43 d	5.39 c
12	12			0.9 e	1.78 e			1.37 e	2.33 d	3.93 c		0.35 e	1.9 d	3.69 d	5.01 b
	16			0.35 f	1.32 e			0.8 e	1.82 e	3.43 d			1.26 e	2.95 e	4.49 d
	24				0.39 f				0.81 f	2.44 e				1.48 f	3.46 e
14	12			0.26 f	1.07 f			0.62 f	1.47 e	2.76 e			0.99 e	2.35 e	3.61 d
	16				0.54 f				0.9 f	2.21 e			0.27 f	1.54 f	3.04 e
	24									1.12 f					1.91 f
16	12				0.49 f			0.02 f	0.78 f	1.84 f			0.27 f	1.31 f	2.53 e
	16								0.17 f	1.26 f				0.44 f	1.92 f
	24									0.09					0.7 f

35 psf Lateral Load

Wall Height (ft)	Spacing (in.) o.c.	362S250-(mils)				362S300-(mils)				600S137-(mils)				
		33 ksi		50 ksi		50 ksi		97		33 ksi		50 ksi		
		43	54	68	97	54	68	97	33	43	54	68	97	
8	12	2.47 a	4.65 a	6.46 a	9.59 a	4.73 a	6.92 a	10.83 a	1.15 a	1.91 a	3.31 a	4.55 a	7.09 a	
	16	1.99 a	4.23 a	6.05 a	9.21 a	4.31 a	6.5 a	10.44 a	0.91 a	1.68 a	3.12 a	4.36 a	6.92 a	
	24	1.02 b	3.39 a	5.23 a	8.46 a	3.49 a	5.66 a	9.67 a	0.43 a	1.21 a	2.74 a	3.99 a	6.58 a	
9	12	2.02 a	4.13 a	5.74 a	8.68 a	4.21 a	6.21 a	9.96 a	0.96 a	1.72 a	3.16 a	4.4 a	6.95 a	
	16	1.43 b	3.62 a	5.25 a	8.23 a	3.71 a	5.71 a	9.5 a	0.66 a	1.43 a	2.92 a	4.16 a	6.74 a	
	24	0.24 d	2.6 c	4.28 b	7.34 a	2.71 c	4.7 a	8.58 a	0.05 b	0.84 a	2.44 a	3.69 a	6.31 a	
10	12	1.55 b	3.57 a	5 a	7.73 a	3.66 a	5.49 a	8.92 a	0.75 a	1.52 a	2.99 a	4.23 a	6.8 a	
	16	0.84 d	2.97 c	4.44 b	7.22 a	3.08 b	4.91 a	8.39 a	0.37 a	1.15 a	2.69 a	3.94 a	6.54 a	
	24		1.78 d	3.33 d	6.2 b	1.9 d	3.74 c	7.34 a		0.43 b	2.1 a	3.36 a	6.01 a	
12	12	0.55 d	2.33 d	3.54 c	5.83 a	2.6 c	4.07 b	6.82 a	0.25 c	1.04 a	2.6 a	3.85 a	6.46 a	
	16		1.61 e	2.87 d	5.22 c	1.84 d	3.35 d	6.19 b		0.51 c	2.17 b	3.43 a	6.08 a	
	24		0.18 f	1.54 e	4 d	0.32 e	1.9 e	4.93 d			1.32 d	2.59 c	5.32 a	
14	12		1.27 e	2.31 e	4.22 d	1.52 e	2.74 d	5.03 c		0.47 d	2.14 c	3.39 a	6.05 a	
	16		0.47 f	1.57 e	3.54 e	0.63 f	1.92 e	4.33 d			1.55 d	2.82 c	5.53 a	
	24			0.08 f	2.19 f		0.28 f	2.92 e			0.39 e	1.68 d	4.5 c	
16	12		0.44 f	1.34 f	2.96 e	0.59 f	1.64 e	3.62 d			1.6 d	2.87 c	5.57 b	
	16			0.54 f	2.23 f		0.75 f	2.86 e			0.84 e	2.12 d	4.9 c	
	24				0.78 f			1.34 f				0.63 e	3.55 e	

Notes

*Please see Combined Axial and Lateral Load Table Notes on page 37.

Complies with the 2021 International Building Code and AISI S100-16/S2-20

COMBINED AXIAL & LATERAL LOAD TABLES

35 psf Lateral Load													
Wall Height (ft)	Spacing (in.) o.c.	600S162-(mils)						600S200-(mils)					
		33 ksi		50 ksi				33 ksi		50 ksi			
		33	43	54	68	97	118	33	43	54	68	97	118
8	12	1.79 a	2.78 a	5 a	6.86 a	10.77 a	13.59 a	2.15 a	3.55 a	6.64 a	9.06 a	14.55 a	18.82 a
	16	1.54 a	2.54 a	4.77 a	6.64 a	10.54 a	13.36 a	1.87 a	3.26 a	6.36 a	8.78 a	14.28 a	18.53 a
	24	1.04 a	2.06 a	4.3 a	6.2 a	10.08 a	12.89 a	1.32 a	2.68 a	5.81 a	8.22 a	13.74 a	17.97 a
9	12	1.58 a	2.59 a	4.81 a	6.68 a	10.58 a	13.41 a	1.92 a	3.29 a	6.33 a	8.72 a	14.15 a	18.35 a
	16	1.27 a	2.28 a	4.52 a	6.41 a	10.3 a	13.11 a	1.57 a	2.93 a	5.99 a	8.38 a	13.82 a	17.99 a
	24	0.63 a	1.67 a	3.94 a	5.85 a	9.72 a	12.52 a	0.87 a	2.21 a	5.29 a	7.68 a	13.15 a	17.29 a
10	12	1.35 a	2.36 a	4.59 a	6.49 a	10.38 a	13.2 a	1.66 a	3 a	5.99 a	8.34 a	13.69 a	17.8 a
	16	0.96 a	1.98 a	4.23 a	6.14 a	10.03 a	12.84 a	1.23 a	2.56 a	5.57 a	7.92 a	13.28 a	17.37 a
	24	0.18 c	1.24 a	3.51 a	5.46 a	9.32 a	12.11 a	0.38 b	1.68 a	4.73 a	7.08 a	12.47 a	16.51 a
12	12	0.82 b	1.83 a	3.99 a	5.92 a	9.91 a	12.72 a	1.07 a	2.35 a	5.2 a	7.44 a	12.57 a	16.44 a
	16	0.27 c	1.3 b	3.49 a	5.43 a	9.4 a	12.19 a	0.47 c	1.73 a	4.62 a	6.86 a	12.01 a	15.85 a
	24		0.24 d	2.49 c	4.47 b	8.38 a	11.14 a		0.5 c	3.46 b	5.7 a	10.89 a	14.68 a
14	12	0.22 d	1.22 c	3.29 b	5.14 a	9.06 a	12.15 a	0.41 c	1.61 b	4.28 a	6.39 a	11.21 a	14.77 a
	16		0.52 d	2.64 c	4.51 b	8.39 a	11.43 a		0.81 d	3.54 c	5.65 b	10.49 a	14.02 a
	24			1.33 e	3.26 d	7.04 c	10 b			2.07 d	4.17 d	9.07 b	12.53 a
16	12		0.55 d	2.51 d	4.25 c	7.84 a	10.63 a		0.83 d	3.32 c	5.25 b	9.69 a	12.89 a
	16			1.71 e	3.49 d	7.02 c	9.76 b			2.43 d	4.36 c	8.83 b	12 a
	24			0.13 f	1.96 e	5.39 d	8.04 d			0.65 e	2.58 e	7.13 d	10.21 c

35 psf Lateral Load														
Wall Height (ft)	Spacing (in.) o.c.	600S250-(mils)					600S300-(mils)				600S350-(mils)			
		33 ksi	50 ksi				50 ksi				50 ksi			
		43	54	68	97	118	54	68	97	118	54	68	97	118
8	12	3.88 a	6.89 a	10.15 a	17.07 a	21.93 a	7.19 a	10.35 a	18.39 a	24.04 a	9.46 a	13.91 a	22.96 a	30.49 a
	16	3.59 a	6.62 a	9.85 a	16.74 a	21.59 a	6.92 a	10.05 a	18.06 a	23.7 a	9.16 a	13.59 a	22.61 a	30.13 a
	24	2.99 a	6.07 a	9.25 a	16.09 a	20.92 a	6.36 a	9.46 a	17.42 a	23.03 a	8.58 a	12.96 a	21.92 a	29.42 a
9	12	3.62 a	6.59 a	9.78 a	16.54 a	21.31 a	6.89 a	9.98 a	17.83 a	23.39 a	9.09 a	13.46 a	22.33 a	29.56 a
	16	3.24 a	6.25 a	9.4 a	16.13 a	20.89 a	6.54 a	9.61 a	17.43 a	22.97 a	8.72 a	13.06 a	21.89 a	29.12 a
	24	2.5 a	5.57 a	8.65 a	15.32 a	20.05 a	5.85 a	8.88 a	16.62 a	22.14 a	7.99 a	12.27 a	21.03 a	28.23 a
10	12	3.32 a	6.26 a	9.36 a	15.93 a	20.59 a	6.55 a	9.57 a	17.2 a	22.66 a	8.67 a	12.96 a	21.62 a	28.52 a
	16	2.87 a	5.85 a	8.9 a	15.44 a	20.09 a	6.13 a	9.12 a	16.71 a	22.16 a	8.23 a	12.48 a	21.1 a	27.99 a
	24	1.95 a	5.01 a	7.99 a	14.46 a	19.07 a	5.29 a	8.23 a	15.73 a	21.14 a	7.34 a	11.52 a	20.05 a	26.92 a
12	12	2.66 a	5.5 a	8.39 a	14.5 a	18.89 a	5.77 a	8.67 a	15.74 a	21 a	7.75 a	11.82 a	20.06 a	26.15 a
	16	2.01 a	4.92 a	7.76 a	13.83 a	18.2 a	5.19 a	8.05 a	15.07 a	20.3 a	7.13 a	11.15 a	19.33 a	25.42 a
	24	0.73 c	3.77 b	6.5 a	12.49 a	16.81 a	4.02 a	6.81 a	13.74 a	18.91 a	5.91 a	9.83 a	17.89 a	23.98 a
14	12	1.9 a	4.66 a	7.29 a	12.85 a	16.89 a	4.89 a	7.66 a	14.09 a	19.17 a	6.71 a	10.53 a	18.13 a	23.49 a
	16	1.05 c	3.91 b	6.48 a	11.99 a	16.01 a	4.14 b	6.84 a	13.24 a	18.27 a	5.92 a	9.67 a	17.21 a	22.58 a
	24	-0.65 d	2.41 d	4.86 c	10.29 a	14.26 a	2.63 d	5.22 b	11.53 a	16.47 a	4.34 c	7.96 a	15.35 a	20.75 a
16	12	1.07 c	3.8 c	6.15 a	11.06 a	14.71 a	3.95 b	6.55 a	12.36 a	16.82 a	5.61 a	9.14 a	15.8 a	20.67 a
	16	0.01 d	2.86 d	5.15 c	10.03 a	13.66 a	3.02 d	5.55 b	11.32 a	15.75 a	4.65 c	8.1 a	14.69 a	19.58 a
	24	-2.11 e	0.98 e	3.16 d	7.99 c	11.57 b	1.17 e	3.54 d	9.25 c	13.6 b	2.71 d	6 c	12.48 b	17.41 a

Notes
 *Please see Combined Axial and Lateral Load Table Notes on page 37.

Complies with the 2021 International Building Code and AISI S100-16/S2-20

COMBINED AXIAL & LATERAL LOAD TABLES

35 psf Lateral Load

Wall Height (ft)	Spacing (in.) o.c.	800S137-(mils)					800S162-(mils)					
		33 ksi		50 ksi			33 ksi		50 ksi			
		33	43	54	68	97	33	43	54	68	97	118
8	12	1.19 a*	2.01 a	3.23 a	4.42 a	6.94 a	1.76 a*	2.85 a	4.98 a	6.8 a	10.85 a	13.91 a
	16	0.99 a*	1.85 a	3.1 a	4.29 a	6.83 a	1.51 a*	2.66 a	4.81 a	6.64 a	10.7 a	13.76 a
	24	0.59 a*	1.53 a	2.85 a	4.05 a	6.61 a	1.03 a*	2.27 a	4.47 a	6.31 a	10.39 a	13.45 a
9	12	1.03 a*	1.88 a	3.13 a	4.32 a	6.85 a	1.56 a*	2.7 a	4.85 a	6.67 a	10.73 a	13.79 a
	16	0.77 a*	1.68 a	2.97 a	4.16 a	6.71 a	1.25 a*	2.45 a	4.63 a	6.46 a	10.54 a	13.6 a
	24	0.27 a*	1.27 a	2.64 a	3.85 a	6.43 a	0.64 a*	1.96 a	4.2 a	6.04 a	10.15 a	13.21 a
10	12	0.85 a*	1.74 a	3.01 a	4.21 a	6.76 a	1.35 a*	2.52 a	4.7 a	6.53 a	10.6 a	13.66 a
	16	0.54 a*	1.49 a	2.81 a	4.01 a	6.58 a	0.97 a*	2.22 a	4.43 a	6.27 a	10.36 a	13.42 a
	24		0.98 a	2.41 a	3.63 a	6.23 a	0.21 a*	1.61 a	3.9 a	5.75 a	9.88 a	12.94 a
12	12	0.44 a*	1.41 a	2.75 a	3.95 a	6.53 a	0.84 a*	2.12 a	4.34 a	6.18 a	10.28 a	13.34 a
	16		1.04 a	2.46 a	3.68 a	6.28 a	0.3 a*	1.69 a	3.96 a	5.81 a	9.93 a	12.99 a
	24		0.32 a	1.89 a	3.12 a	5.77 a		0.81 a	3.19 a	5.06 a	9.25 a	12.3 a
14	12		1.01 a	2.44 a	3.65 a	6.25 a	0.25 a*	1.65 a	3.93 a	5.78 a	9.91 a	12.97 a
	16		0.52 b	2.05 a	3.27 a	5.91 a		1.05 a	3.41 a	5.27 a	9.44 a	12.5 a
	24			1.26 c	2.52 a	5.23 a			2.36 b	4.26 a	8.5 a	11.56 a
16	12		0.56 b	2.08 a	3.31 a	5.94 a		1.1 b	3.45 a	5.31 a	9.47 a	12.53 a
	16			1.57 b	2.81 a	5.5 a		0.32 c	2.77 b	4.65 a	8.86 a	11.92 a
	24			0.55 d	1.83 c	4.61 b			1.4 d	3.32 c	7.64 a	10.69 a

35 psf Lateral Load

Wall Height (ft)	Spacing (in.) o.c.	800S200-(mils)						800S250-(mils)				
		33 ksi		50 ksi				33 ksi	50 ksi			
		33	43	54	68	97	118	43	54	68	97	118
8	12	2.28 a*	3.97 a	7.24 a	9.77 a	15.48 a	19.93 a	4.33 a	7.6 a	11.18 a	18.93 a	24.79 a
	16	2.01 a*	3.77 a	7.04 a	9.57 a	15.29 a	19.74 a	4.11 a	7.39 a	10.96 a	18.7 a	24.53 a
	24	1.49 a*	3.37 a	6.64 a	9.19 a	14.92 a	19.35 a	3.68 a	6.98 a	10.53 a	18.22 a	24.03 a
9	12	2.07 a*	3.81 a	7.08 a	9.61 a	15.33 a	19.78 a	4.15 a	7.4 a	10.97 a	18.67 a	24.45 a
	16	1.74 a*	3.55 a	6.83 a	9.37 a	15.09 a	19.53 a	3.87 a	7.14 a	10.7 a	18.37 a	24.13 a
	24	1.07 a*	3.04 a	6.33 a	8.88 a	14.62 a	19.04 a	3.32 a	6.62 a	10.15 a	17.76 a	23.49 a
10	12	1.83 a*	3.63 a	6.9 a	9.44 a	15.16 a	19.6 a	3.94 a	7.18 a	10.73 a	18.37 a	24.05 a
	16	1.42 a*	3.32 a	6.59 a	9.14 a	14.87 a	19.3 a	3.6 a	6.86 a	10.39 a	18 a	23.66 a
	24	0.6 a*	2.69 a	5.98 a	8.53 a	14.29 a	18.69 a	2.92 a	6.22 a	9.72 a	17.25 a	22.88 a
12	12	1.29 a*	3.21 a	6.49 a	9.04 a	14.78 a	19.2 a	3.46 a	6.66 a	10.16 a	17.64 a	23.06 a
	16	0.7 a*	2.75 a	6.05 a	8.6 a	14.36 a	18.76 a	2.97 a	6.2 a	9.68 a	17.11 a	22.51 a
	24		1.85 a	5.16 a	7.72 a	13.52 a	17.88 a	2 a	5.3 a	8.73 a	16.05 a	21.41 a
14	12	0.64 a*	2.67 a	5.87 a	8.41 a	14.24 a	18.72 a	2.89 a	6.03 a	9.39 a	16.55 a	21.78 a
	16		2.07 a	5.28 a	7.82 a	13.67 a	18.13 a	2.24 a	5.42 a	8.76 a	15.86 a	21.05 a
	24		0.86 b	4.1 a	6.65 a	12.54 a	16.93 a	0.94 b	4.22 a	7.5 a	14.46 a	19.61 a
16	12		2.07 a	5.14 a	7.6 a	13.25 a	17.65 a	2.25 a	5.3 a	8.49 a	15.24 a	20.22 a
	16		1.3 b	4.4 a	6.86 a	12.54 a	16.89 a	1.42 b	4.54 a	7.7 a	14.37 a	19.32 a
	24			2.91 c	5.38 b	11.1 a	15.38 a	-0.24 d	3.02 c	6.11 a	12.63 a	17.5 a

Notes

*Please see Combined Axial and Lateral Load Table Notes on page 37.

Complies with the 2021 International Building Code and AISI S100-16/S2-20

COMBINED AXIAL & LATERAL LOAD TABLES

35 psf Lateral Load									
Wall Height (ft)	Spacing (in.) o.c.	800S300-(mils)				800S350-(mils)			
		50 ksi				50 ksi			
		54	68	97	118	54	68	97	118
8	12	7.93 a	11.46 a	20.69 a	27.14 a	10.35 a	15.14 a	25.2 a	33.63 a
	16	7.71 a	11.24 a	20.45 a	26.89 a	10.13 a	14.91 a	24.94 a	33.36 a
	24	7.28 a	10.82 a	19.96 a	26.38 a	9.68 a	14.46 a	24.43 a	32.82 a
9	12	7.71 a	11.23 a	20.36 a	26.76 a	10.1 a	14.87 a	24.86 a	33.19 a
	16	7.44 a	10.96 a	20.05 a	26.44 a	9.82 a	14.58 a	24.54 a	32.85 a
	24	6.9 a	10.42 a	19.44 a	25.8 a	9.25 a	14 a	23.89 a	32.18 a
10	12	7.47 a	10.96 a	19.97 a	26.32 a	9.82 a	14.55 a	24.44 a	32.68 a
	16	7.14 a	10.64 a	19.59 a	25.92 a	9.47 a	14.2 a	24.04 a	32.27 a
	24	6.47 a	9.98 a	18.84 a	25.14 a	8.78 a	13.49 a	23.25 a	31.44 a
12	12	6.91 a	10.34 a	19.02 a	25.22 a	9.16 a	13.8 a	23.35 a	31.49 a
	16	6.44 a	9.87 a	18.49 a	24.67 a	8.67 a	13.3 a	22.79 a	30.91 a
	24	5.5 a	8.94 a	17.44 a	23.57 a	7.69 a	12.31 a	21.67 a	29.75 a
14	12	6.25 a	9.58 a	17.85 a	23.86 a	8.38 a	12.9 a	22.06 a	29.8 a
	16	5.62 a	8.97 a	17.15 a	23.14 a	7.73 a	12.24 a	21.32 a	29.03 a
	24	4.37 a	7.73 a	15.77 a	21.68 a	6.44 a	10.92 a	19.85 a	27.5 a
16	12	5.49 a	8.72 a	16.49 a	22.29 a	7.52 a	11.88 a	20.62 a	27.69 a
	16	4.7 a	7.94 a	15.63 a	21.38 a	6.7 a	11.05 a	19.7 a	26.74 a
	24	3.11 b	6.38 a	13.89 a	19.55 a	5.07 a	9.38 a	17.84 a	24.84 a

Notes

*Please see Combined Axial and Lateral Load Table Notes on page 37.

Complies with the 2021 International Building Code and AISI S100-16/S2-20

COMBINED AXIAL & LATERAL LOAD TABLES

35 psf Lateral Load

Wall Height (ft)	Spacing (in.) o.c.	362S137-(mils)				362S162-(mils)					362S200-(mils)				
		33 ksi		50 ksi		33 ksi		50 ksi			33 ksi		50 ksi		
		33	43	54	68	33	43	54	68	97	33	43	54	68	97
8	12	0.31 c	0.92 b	2.18 a	3.24 a	0.6 b	1.31 a	2.96 a	4.19 a	6.55 a	0.87 b	1.92 a	3.88 a	6.62 a	8.22 a
	16		0.47 c	1.83 b	2.93 a	0.12 d	0.86 c	2.57 b	3.84 a	6.2 a	0.35 c	1.4 b	3.44 a	6.1 a	7.85 a
	24			1.12 d	2.31 c		-0.06 d	1.8 d	3.14 c	5.49 a		0.38 d	2.55 c	5.07 b	7.1 a
9	12		0.55 d	1.81 c	2.84 b	0.21 d	0.91 c	2.51 b	3.69 a	5.87 a	0.44 c	1.45 b	3.32 a	5.85 a	7.39 a
	16			1.38 d	2.47 c		0.35 d	2.05 c	3.27 b	5.45 a		0.82 c	2.8 c	5.23 a	6.95 a
	24			0.53 e	1.73 e			1.12 e	2.43 d	4.61 c			1.74 d	4 c	6.07 b
10	12		0.16 e	1.42 d	2.42 c		0.47 d	2.05 c	3.16 b	5.15 a		0.96 d	2.75 c	5.02 b	6.52 a
	16			0.93 e	1.99 d			1.51 d	2.68 d	4.68 b		0.23 e	2.14 d	4.31 c	6.02 a
	24				1.13 e			0.43 e	1.72 e	3.72 d			0.92 e	2.9 e	5.02 c
12	12			0.66 e	1.58 e			1.12 e	2.11 e	3.72 d			1.62 e	3.37 d	4.79 c
	16			0.04 f	1.05 f			0.47 f	1.53 e	3.15 e			0.89 e	2.53 e	4.2 d
	24								0.38 f	2.02 f				0.85 f	3.02 e
14	12				0.84 f			0.35 f	1.22 f	2.53 e			0.68 f	2 e	3.37 e
	16				0.24 f				0.58 f	1.9 f				1.07 f	2.72 e
	24									0.65 f					1.42 f
16	12				0.24 f					1.59 f				0.94 f	2.27 f
	16									0.92 f					1.57 f
	24														0.18

35 psf Lateral Load

Wall Height (ft)	Spacing (in.) o.c.	362S250-(mils)				362S300-(mils)			600S137-(mils)				
		33 ksi		50 ksi		50 ksi			33 ksi		50 ksi		
		43	54	68	97	54	68	97	33	43	54	68	97
8	12	2.26 a	4.47 a	6.29 a	9.43 a	4.55 a	6.74 a	10.66 a	1.05 a	1.81 a	3.23 a	4.47 a	7.02 a
	16	1.71 a	3.99 a	5.81 a	9 a	4.08 a	6.26 a	10.22 a	0.78 a	1.54 a	3.01 a	4.25 a	6.82 a
	24	0.6 c	3.03 b	4.87 a	8.13 a	3.13 b	5.3 a	9.34 a	0.22 a	1.01 a	2.58 a	3.83 a	6.44 a
9	12	1.77 a	3.91 a	5.53 a	8.49 a	3.99 a	6 a	9.77 a	0.83 a	1.6 a	3.05 a	4.3 a	6.86 a
	16	1.09 c	3.33 b	4.98 a	7.98 a	3.42 a	5.42 a	9.24 a	0.48 a	1.26 a	2.78 a	4.03 a	6.62 a
	24		2.16 d	3.86 c	6.95 a	2.28 c	4.27 b	8.18 a		0.59 a	2.23 a	3.49 a	6.13 a
10	12	1.25 c	3.31 b	4.76 a	7.51 a	3.41 a	5.24 a	8.7 a	0.59 a	1.36 a	2.86 a	4.11 a	6.69 a
	16	0.43 d	2.63 c	4.12 b	6.93 a	2.74 c	4.57 b	8.09 a	0.16 b	0.95 a	2.52 a	3.77 a	6.39 a
	24		1.27 e	2.85 d	5.76 c	1.4 d	3.24 d	6.88 b		0.12 c	1.85 b	3.11 a	5.79 a
12	12	0.16 e	2.02 d	3.25 c	5.56 b	2.27 d	3.76 c	6.55 a	0.02 c	0.81 b	2.41 a	3.67 a	6.29 a
	16		1.2 e	2.49 d	4.87 c	1.4 e	2.93 d	5.83 c		0.22 c	1.93 b	3.19 a	5.86 a
	24			0.97 e	3.48 e		1.28 e	4.39 d			0.95 d	2.23 c	4.99 b
14	12		0.93 e	1.99 e	3.93 d	1.14 e	2.39 e	4.73 d		0.17 d	1.89 c	3.15 b	5.82 a
	16		0.01 f	1.14 f	3.16 e	0.13 f	1.45 e	3.92 e			1.22 d	2.49 d	5.23 b
	24				1.61 f			2.31 f				1.19 e	4.06 d
16	12		0.07 f	1 f	2.65 e	0.18 f	1.26 f	3.29 e			1.28 e	2.55 d	5.28 c
	16			0.08 f	1.82 f		0.25 f	2.43 f			0.41 e	1.69 e	4.51 d
	24				0.16 f			0.69 f					2.97 e

Notes

*Please see Combined Axial and Lateral Load Table Notes on page 37.

Complies with the 2021 International Building Code and AISI S100-16/S2-20

COMBINED AXIAL & LATERAL LOAD TABLES

35 psf Lateral Load													
Wall Height (ft)	Spacing (in.) o.c.	600S162-(mils)						600S200-(mils)					
		33 ksi		50 ksi				33 ksi		50 ksi			
		33	43	54	68	97	118	33	43	54	68	97	118
8	12	1.68 a	2.68 a	4.9 a	6.76 a	10.67 a	13.49 a	2.03 a	3.42 a	6.52 a	8.94 a	14.43 a	18.69 a
	16	1.4 a	2.4 a	4.64 a	6.51 a	10.41 a	13.23 a	1.72 a	3.1 a	6.2 a	8.62 a	14.13 a	18.37 a
	24	0.82 a	1.85 a	4.11 a	6.01 a	9.89 a	12.69 a	1.08 a	2.44 a	5.57 a	7.99 a	13.51 a	17.73 a
9	12	1.45 a	2.46 a	4.69 a	6.56 a	10.46 a	13.28 a	1.77 a	3.14 a	6.19 a	8.58 a	14.01 a	18.2 a
	16	1.08 a	2.11 a	4.35 a	6.25 a	10.13 a	12.94 a	1.37 a	2.72 a	5.79 a	8.18 a	13.62 a	17.79 a
	24	0.36 b	1.41 a	3.69 a	5.61 a	9.47 a	12.27 a	0.57 a	1.9 a	5 a	7.38 a	12.86 a	16.99 a
10	12	1.18 a	2.2 a	4.44 a	6.34 a	10.23 a	13.04 a	1.48 a	2.81 a	5.81 a	8.16 a	13.51 a	17.61 a
	16	0.74 a	1.77 a	4.03 a	5.95 a	9.82 a	12.63 a	0.99 a	2.31 a	5.33 a	7.68 a	13.05 a	17.12 a
	24		0.92 b	3.21 a	5.17 a	9.01 a	11.79 a	0.01 c	1.3 a	4.37 a	6.72 a	12.12 a	16.15 a
12	12	0.58 c	1.6 a	3.78 a	5.71 a	9.69 a	12.49 a	0.81 b	2.09 a	4.95 a	7.2 a	12.33 a	16.19 a
	16		1 c	3.2 b	5.16 a	9.11 a	11.89 a	0.13 c	1.38 b	4.29 a	6.53 a	11.69 a	15.52 a
	24			2.06 d	4.05 c	7.94 a	10.69 a			2.96 c	5.2 b	10.41 a	14.17 a
14	12		0.92 d	3.01 c	4.87 a	8.77 a	11.84 a	0.07 d	1.27 c	3.97 b	6.08 a	10.9 a	14.45 a
	16		0.12 e	2.26 d	4.15 c	8 a	11.03 a		0.35 d	3.12 c	5.23 b	10.09 a	13.6 a
	24			0.77 e	2.72 d	6.46 c	9.39 c			1.43 e	3.53 d	8.46 c	11.89 b
16	12		0.18 e	2.17 d	3.92 c	7.49 b	10.26 a		0.4 d	2.94 d	4.87 c	9.32 a	12.51 a
	16			1.26 e	3.05 d	6.56 c	9.27 c			1.92 e	3.85 d	8.35 c	11.49 b
	24				1.3 e	4.69 e	7.3 d				1.82 e	6.39 d	9.45 d

35 psf Lateral Load														
Wall Height (ft)	Spacing (in.) o.c.	600S250-(mils)				600S300-(mils)				600S350-(mils)				
		50 ksi				50 ksi				50 ksi				
		43	54	68	97	118	54	68	97	118	54	68	97	118
8	12	3.76 a	6.77 a	10.02 a	16.93 a	21.79 a	7.07 a	10.22 a	18.25 a	23.89 a	9.33 a	13.77 a	22.81 a	30.34 a
	16	3.42 a	6.46 a	9.68 a	16.55 a	21.4 a	6.76 a	9.89 a	17.88 a	23.51 a	8.99 a	13.41 a	22.41 a	29.93 a
	24	2.73 a	5.83 a	8.99 a	15.81 a	20.63 a	6.13 a	9.21 a	17.14 a	22.74 a	8.32 a	12.69 a	21.62 a	29.11 a
9	12	3.46 a	6.45 a	9.61 a	16.36 a	21.13 a	6.74 a	9.82 a	17.66 a	23.21 a	8.93 a	13.29 a	22.14 a	29.37 a
	16	3.03 a	6.06 a	9.18 a	15.9 a	20.65 a	6.34 a	9.4 a	17.2 a	22.73 a	8.51 a	12.84 a	21.65 a	28.87 a
	24	2.18 a	5.27 a	8.33 a	14.97 a	19.69 a	5.55 a	8.56 a	16.27 a	21.78 a	7.67 a	11.93 a	20.66 a	27.85 a
10	12	3.13 a	6.08 a	9.16 a	15.72 a	20.38 a	6.37 a	9.38 a	16.99 a	22.45 a	8.48 a	12.75 a	21.4 a	28.29 a
	16	2.61 a	5.61 a	8.64 a	15.16 a	19.8 a	5.89 a	8.87 a	16.43 a	21.87 a	7.98 a	12.2 a	20.8 a	27.68 a
	24	1.56 a	4.66 a	7.59 a	14.03 a	18.64 a	4.93 a	7.84 a	15.31 a	20.71 a	6.96 a	11.11 a	19.6 a	26.46 a
12	12	2.38 a	5.25 a	8.12 a	14.22 a	18.59 a	5.52 a	8.41 a	15.45 a	20.7 a	7.49 a	11.53 a	19.75 a	25.84 a
	16	1.64 a	4.59 a	7.4 a	13.45 a	17.8 a	4.85 a	7.69 a	14.69 a	19.9 a	6.78 a	10.78 a	18.92 a	25.01 a
	24	0.17 c	3.27 b	5.96 a	11.91 a	16.22 a	3.52 b	6.27 a	13.16 a	18.31 a	5.38 a	9.26 a	17.27 a	23.36 a
14	12	1.53 b	4.34 a	6.95 a	12.48 a	16.51 a	4.57 a	7.31 a	13.72 a	18.78 a	6.37 a	10.16 a	17.74 a	23.1 a
	16	0.56 d	3.48 c	6.02 a	11.5 a	15.51 a	3.71 b	6.38 a	12.75 a	17.76 a	5.47 a	9.19 a	16.68 a	22.05 a
	24		1.76 d	4.16 c	9.55 b	13.51 a	1.98 d	4.53 c	10.8 a	15.7 a	3.66 c	7.23 b	14.56 a	19.97 a
16	12	0.62 d	3.39 c	5.72 b	10.62 a	14.26 a	3.56 c	6.12 b	11.91 a	16.36 a	5.2 b	8.7 a	15.32 a	20.21 a
	16		2.32 d	4.58 c	9.45 b	13.06 a	2.49 d	4.98 c	10.73 a	15.13 a	4.09 c	7.5 b	14.06 a	18.96 a
	24		0.18 e	2.31 e	7.12 d	10.67 c	0.37 e	2.68 e	8.37 c	12.67 b	1.88 e	5.1 d	11.53 c	16.48 b

Notes

*Please see Combined Axial and Lateral Load Table Notes on page 37.

Complies with the 2021 International Building Code and AISI S100-16/S2-20

COMBINED AXIAL & LATERAL LOAD TABLES

40 psf Lateral Load												
Wall Height (ft)	Spacing (in.) o.c.	800S137-(mils)					800S162-(mils)					
		33 ksi		50 ksi			33 ksi		50 ksi			
		33	43	54	68	97	33	43	54	68	97	118
8	12	1.1 a*	1.94 a	3.17 a	4.36 a	6.9 a	1.65 a*	2.77 a	4.91 a	6.73 a	10.79 a	13.85 a
	16	0.87 a*	1.76 a	3.03 a	4.22 a	6.77 a	1.37 a*	2.55 a	4.72 a	6.54 a	10.61 a	13.67 a
	24	0.42 a*	1.39 a	2.74 a	3.94 a	6.51 a	0.82 a*	2.1 a	4.33 a	6.17 a	10.26 a	13.32 a
9	12	0.92 a*	1.8 a	3.06 a	4.25 a	6.79 a	1.43 a*	2.59 a	4.76 a	6.58 a	10.65 a	13.71 a
	16	0.63 a*	1.56 a	2.87 a	4.07 a	6.63 a	1.08 a*	2.31 a	4.51 a	6.34 a	10.43 a	13.49 a
	24	0.05 a*	1.09 a	2.5 a	3.72 a	6.31 a	0.38 a*	1.75 a	4.02 a	5.86 a	9.98 a	13.04 a
10	12	0.72 a*	1.63 a	2.93 a	4.12 a	6.68 a	1.18 a*	2.39 a	4.58 a	6.41 a	10.49 a	13.55 a
	16	0.36 a*	1.34 a	2.7 a	3.9 a	6.48 a	0.75 a*	2.05 a	4.28 a	6.12 a	10.22 a	13.28 a
	24		0.77 a	2.24 a	3.46 a	6.08 a		1.35 a	3.67 a	5.53 a	9.67 a	12.73 a
12	12	0.24 a*	1.25 a	2.63 a	3.83 a	6.42 a	0.61 a*	1.94 a	4.18 a	6.02 a	10.13 a	13.19 a
	16		0.84 a	2.3 a	3.52 a	6.13 a		1.44 a	3.74 a	5.6 a	9.74 a	12.8 a
	24		0.01 b	1.64 a	2.88 a	5.56 a		0.43 a	2.86 a	4.74 a	8.95 a	12.01 a
14	12		0.8 a	2.27 a	3.49 a	6.11 a		1.39 a	3.7 a	5.56 a	9.7 a	12.76 a
	16		0.24 b	1.82 a	3.06 a	5.72 a		0.71 b	3.11 a	4.98 a	9.17 a	12.23 a
	24			0.93 c	2.2 b	4.94 a			1.91 c	3.82 a	8.1 a	11.15 a
16	12		0.28 c	1.86 b	3.09 a	5.75 a		0.77 b	3.16 a	5.03 a	9.21 a	12.27 a
	16			1.28 c	2.53 b	5.24 a			2.38 c	4.27 a	8.51 a	11.57 a
	24			0.11 e	1.4 d	4.22 c			0.82 d	2.75 c	7.11 b	10.17 a

40 psf Lateral Load												
Wall Height (ft)	Spacing (in.) o.c.	800S200-(mils)						800S250-(mils)				
		33 ksi		50 ksi				33 ksi	50 ksi			
		33	43	54	68	97	118	43	54	68	97	118
8	12	2.16 a*	3.88 a	7.15 a	9.69 a	15.4 a	19.85 a	4.24 a	7.51 a	11.09 a	18.83 a	24.68 a
	16	1.86 a*	3.65 a	6.93 a	9.46 a	15.18 a	19.63 a	3.99 a	7.27 a	10.84 a	18.56 a	24.39 a
	24	1.26 a*	3.19 a	6.48 a	9.02 a	14.76 a	19.18 a	3.49 a	6.8 a	10.34 a	18.01 a	23.81 a
9	12	1.93 a*	3.7 a	6.97 a	9.51 a	15.23 a	19.67 a	4.03 a	7.29 a	10.85 a	18.54 a	24.31 a
	16	1.55 a*	3.41 a	6.69 a	9.23 a	14.96 a	19.39 a	3.71 a	6.99 a	10.54 a	18.2 a	23.95 a
	24	0.78 a*	2.83 a	6.12 a	8.66 a	14.42 a	18.82 a	3.08 a	6.4 a	9.92 a	17.5 a	23.22 a
10	12	1.66 a*	3.49 a	6.77 a	9.31 a	15.04 a	19.47 a	3.79 a	7.04 a	10.59 a	18.21 a	23.88 a
	16	1.19 a*	3.14 a	6.42 a	8.96 a	14.7 a	19.12 a	3.4 a	6.68 a	10.2 a	17.78 a	23.44 a
	24	0.25 a*	2.42 a	5.71 a	8.27 a	14.04 a	18.43 a	2.63 a	5.95 a	9.44 a	16.94 a	22.55 a
12	12	1.03 a*	3.01 a	6.3 a	8.85 a	14.6 a	19.01 a	3.25 a	6.46 a	9.96 a	17.41 a	22.82 a
	16	0.36 a*	2.5 a	5.79 a	8.35 a	14.12 a	18.51 a	2.7 a	5.95 a	9.41 a	16.81 a	22.2 a
	24		1.46 a	4.78 a	7.35 a	13.16 a	17.51 a	1.59 a	4.91 a	8.32 a	15.6 a	20.94 a
14	12	0.3 a*	2.42 a	5.62 a	8.15 a	14 a	18.47 a	2.61 a	5.77 a	9.12 a	16.25 a	21.47 a
	16		1.72 a	4.94 a	7.49 a	13.35 a	17.78 a	1.87 a	5.08 a	8.4 a	15.46 a	20.64 a
	24		0.34 c	3.59 b	6.15 a	12.05 a	16.42 a	0.39 b	3.7 a	6.96 a	13.87 a	18.98 a
16	12		1.74 a	4.82 a	7.28 a	12.94 a	17.33 a	1.89 a	4.98 a	8.15 a	14.87 a	19.84 a
	16		0.86 c	3.97 b	6.44 a	12.13 a	16.46 a	0.94 b	4.11 a	7.24 a	13.87 a	18.8 a
	24			2.27 d	4.75 c	10.49 a	14.73 a		2.36 c	5.43 b	11.88 a	16.73 a

Notes

*Please see Combined Axial and Lateral Load Table Notes on page 37.

Complies with the 2021 International Building Code and AISI S100-16/S2-20

COMBINED AXIAL & LATERAL LOAD TABLES

40 psf Lateral Load									
Wall Height (ft)	Spacing (in.) o.c.	800S300-(mils)				800S350-(mils)			
		50 ksi				50 ksi			
		54	68	97	118	54	68	97	118
8	12	7.83 a	11.37 a	20.59 a	27.03 a	10.26 a	15.05 a	25.09 a	33.51 a
	16	7.59 a	11.12 a	20.31 a	26.74 a	10 a	14.78 a	24.8 a	33.21 a
	24	7.09 a	10.63 a	19.75 a	26.16 a	9.48 a	14.26 a	24.21 a	32.59 a
9	12	7.6 a	11.11 a	20.23 a	26.62 a	9.98 a	14.74 a	24.73 a	33.04 a
	16	7.29 a	10.8 a	19.88 a	26.26 a	9.66 a	14.41 a	24.36 a	32.66 a
	24	6.67 a	10.19 a	19.18 a	25.53 a	9.01 a	13.75 a	23.62 a	31.89 a
10	12	7.33 a	10.82 a	19.81 a	26.15 a	9.67 a	14.4 a	24.27 a	32.5 a
	16	6.95 a	10.45 a	19.38 a	25.7 a	9.27 a	13.99 a	23.82 a	32.03 a
	24	6.19 a	9.7 a	18.52 a	24.81 a	8.48 a	13.19 a	22.91 a	31.09 a
12	12	6.71 a	10.14 a	18.79 a	24.99 a	8.95 a	13.59 a	23.11 a	31.24 a
	16	6.17 a	9.61 a	18.19 a	24.36 a	8.39 a	13.02 a	22.47 a	30.58 a
	24	5.09 a	8.54 a	16.99 a	23.1 a	7.27 a	11.88 a	21.2 a	29.25 a
14	12	5.98 a	9.32 a	17.55 a	23.55 a	8.1 a	12.62 a	21.74 a	29.47 a
	16	5.26 a	8.61 a	16.76 a	22.72 a	7.37 a	11.87 a	20.9 a	28.6 a
	24	3.83 a	7.2 a	15.17 a	21.06 a	5.89 a	10.35 a	19.22 a	26.85 a
16	12	5.15 a	8.38 a	16.12 a	21.9 a	7.17 a	11.52 a	20.23 a	27.28 a
	16	4.25 a	7.49 a	15.13 a	20.86 a	6.24 a	10.57 a	19.17 a	26.19 a
	24	2.44 c	5.71 b	13.15 a	18.77 a	4.37 b	8.66 a	17.05 a	24.02 a

Notes

*Please see Combined Axial and Lateral Load Table Notes on page 37.

Complies with the 2021 International Building Code and AISI S100-16/S2-20

COMBINED AXIAL & LATERAL LOAD TABLES

50 psf Lateral Load

Wall Height (ft)	Spacing (in.) o.c.	362S137-(mils)				362S162-(mils)					362S200-(mils)				
		33 ksi		50 ksi		33 ksi		50 ksi			33 ksi		50 ksi		
		33	43	54	68	33	43	54	68	97	33	43	54	68	97
8	12		0.58 c	1.92 b	3 a	0.24 c	0.97 b	2.67 a	3.93 a	6.28 a	0.48 c	1.53 a	3.55 a	6.23 a	7.94 a
	16		0.03 d	1.47 c	2.62 b		0.4 d	2.18 c	3.49 b	5.84 a		0.89 c	3 b	5.59 a	7.48 a
	24			0.59 e	1.84 d			1.21 d	2.62 d	4.96 b			1.89 d	4.29 c	6.54 a
9	12		0.14 d	1.49 d	2.56 c		0.49 d	2.16 c	3.37 b	5.56 a		0.98 c	2.93 b	5.39 a	7.06 a
	16			0.96 e	2.1 d			1.58 d	2.85 c	5.03 b		0.2 d	2.27 d	4.61 c	6.51 a
	24				1.17 e			0.42 e	1.81 e	3.99 d			0.94 e	3.07 d	5.41 c
10	12			1.05 e	2.1 d			1.65 d	2.8 c	4.8 b		0.41 d	2.29 d	4.49 c	6.14 a
	16			0.43 e	1.56 e			0.97 e	2.2 d	4.2 c			1.53 e	3.6 d	5.52 c
	24				0.48 f				1 e	3 e			0.01 f	1.83 e	4.27 d
12	12			0.2 f	1.19 e			0.63 f	1.68 e	3.29 d			1.07 e	2.74 e	4.35 d
	16				0.52 f				0.95 f	2.59 e			0.16 f	1.69 e	3.61 e
	24									1.17 f				2.14 f	
14	12				0.39 f				0.74 f	2.06 f			0.07 f	1.3 f	2.88 e
	16									1.27 f				0.14 f	2.07 f
	24													0.44 f	
16	12									1.09 f				0.19 f	1.74 f
	16									0.26					0.88 f
	24														

50 psf Lateral Load

Wall Height (ft)	Spacing (in.) o.c.	362S250-(mils)				362S300-(mils)			600S137-(mils)				
		33 ksi		50 ksi		50 ksi			33 ksi		50 ksi		
		43	54	68	97	54	68	97	33	43	54	68	97
8	12	1.85 a	4.11 a	5.93 a	9.11 a	4.55 a	6.74 a	10.66 a	1.05 a	1.81 a	3.23 a	4.47 a	7.02 a
	16	1.15 b	3.51 a	5.34 a	8.56 a	4.08 a	6.26 a	10.22 a	0.78 a	1.54 a	3.01 a	4.25 a	6.82 a
	24		2.31 c	4.17 b	7.48 a	3.13 b	5.3 a	9.34 a	0.22 a	1.01 a	2.58 a	3.83 a	6.44 a
9	12	1.26 b	3.47 a	5.11 a	8.1 a	3.99 a	6 a	9.77 a	0.83 a	1.6 a	3.05 a	4.3 a	6.86 a
	16	0.41 d	2.74 c	4.42 b	7.46 a	3.42 a	5.42 a	9.24 a	0.48 a	1.26 a	2.78 a	4.03 a	6.62 a
	24		1.29 d	3.02 d	6.18 b	2.28 c	4.27 b	8.18 a		0.59 a	2.23 a	3.49 a	6.13 a
10	12	0.64 d	2.8 c	4.28 b	7.07 a	3.41 a	5.24 a	8.7 a	0.59 a	1.36 a	2.86 a	4.11 a	6.69 a
	16		1.95 d	3.49 c	6.34 b	2.74 c	4.57 b	8.09 a	0.16 b	0.95 a	2.52 a	3.77 a	6.39 a
	24		0.25 e	1.89 e	4.88 d	1.4 d	3.24 d	6.88 b		0.12 c	1.85 b	3.11 a	5.79 a
12	12		1.4 e	2.68 d	5.04 c	2.27 d	3.76 c	6.55 a	0.02 c	0.81 b	2.41 a	3.67 a	6.29 a
	16		0.38 f	1.73 e	4.18 d	1.4 e	2.93 d	5.83 c		0.22 c	1.93 b	3.19 a	5.86 a
	24				2.44 e		1.28 e	4.39 d			0.95 d	2.23 c	4.99 b
14	12		0.24 f	1.35 e	3.35 e	1.14 e	2.39 e	4.73 d		0.17 d	1.89 c	3.15 b	5.82 a
	16			0.29 f	2.38 e	0.13 f	1.45 e	3.92 e			1.22 d	2.49 d	5.23 b
	24				0.46 f			2.31 f				1.19 e	4.06 d
16	12			0.31 f	2.02 f	0.18 f	1.26 f	3.29 e			1.28 e	2.55 d	5.28 c
	16				0.99 f		0.25 f	2.43 f			0.41 e	1.69 e	4.51 d
	24							0.69 f					2.97 e

Notes

*Please see Combined Axial and Lateral Load Table Notes on page 37.

Complies with the 2021 International Building Code and AISI S100-16/S2-20

COMBINED AXIAL & LATERAL LOAD TABLES

50 psf Lateral Load												
Wall Height (ft)	Spacing (in.) o.c.	600S200-(mils)						600S250-(mils)				
		33 ksi		50 ksi				33 ksi	50 ksi			
		33	43	54	68	97	118	43	54	68	97	118
8	12	1.68 a	2.68 a	6.28 a	8.7 a	14.2 a	18.45 a	3.5 a	6.54 a	9.76 a	16.65 a	21.5 a
	16	1.4 a	2.4 a	5.88 a	8.3 a	13.82 a	18.05 a	3.08 a	6.15 a	9.33 a	16.18 a	21.02 a
	24	0.82 a	1.85 a	5.09 a	7.51 a	13.06 a	17.24 a	2.22 a	5.36 a	8.47 a	15.25 a	20.06 a
9	12	1.45 a	2.46 a	5.89 a	8.28 a	13.72 a	17.89 a	3.14 a	6.15 a	9.29 a	16.01 a	20.77 a
	16	1.08 a	2.11 a	5.39 a	7.78 a	13.24 a	17.39 a	2.6 a	5.66 a	8.76 a	15.43 a	20.17 a
	24	0.36 b	1.41 a	4.4 a	6.79 a	12.29 a	16.38 a	1.53 a	4.69 a	7.68 a	14.27 a	18.98 a
10	12	1.18 a	2.2 a	5.45 a	7.8 a	13.17 a	17.25 a	2.74 a	5.73 a	8.77 a	15.3 a	19.94 a
	16	0.74 a	1.77 a	4.85 a	7.2 a	12.59 a	16.64 a	2.08 a	5.13 a	8.12 a	14.6 a	19.22 a
	24		0.92 b	3.65 a	5.99 a	11.43 a	15.41 a	0.78 b	3.94 a	6.81 a	13.19 a	17.77 a
12	12	0.58 c	1.6 a	4.45 a	6.7 a	11.85 a	15.69 a	1.83 a	4.76 a	7.58 a	13.64 a	18 a
	16		1 c	3.62 b	5.87 a	11.05 a	14.85 a	0.91 b	3.93 a	6.68 a	12.68 a	17.01 a
	24			1.97 d	4.21 c	9.45 a	13.17 a		2.28 c	4.88 b	10.76 a	15.04 a
14	12		0.92 d	3.33 c	5.44 b	10.29 a	13.81 a	0.81 c	3.7 b	6.25 a	11.75 a	15.76 a
	16		0.12 e	2.28 d	4.38 c	9.27 b	12.74 a		2.62 d	5.09 c	10.53 a	14.51 a
	24			0.16 e	2.26 e	7.24 d	10.61 c		0.47 e	2.77 d	8.09 c	12.01 b
16	12		0.18 e	2.17 d	4.11 d	8.59 b	11.74 a		2.59 d	4.87 c	9.74 b	13.36 a
	16			0.9 e	2.84 e	7.37 d	10.47 c		1.25 e	3.44 d	8.28 c	11.87 b
	24				0.29 f	4.93 e	7.91 d			0.6 e	5.36 e	8.88 d

50 psf Lateral Load														
Wall Height (ft)	Spacing (in.) o.c.	600S300-(mils)				600S350-(mils)				800S137-(mils)				
		50 ksi				50 ksi				33 ksi		50 ksi		
		54	68	97	118	54	68	97	118	33	43	54	68	97
8	12	6.84 a	9.97 a	17.97 a	23.6 a	9.08 a	13.5 a	22.51 a	30.03 a	0.93 a*	1.8 a	3.06 a	4.26 a	6.8 a
	16	6.44 a	9.55 a	17.51 a	23.12 a	8.66 a	13.05 a	22.02 a	29.52 a	0.64 a*	1.57 a	2.88 a	4.08 a	6.64 a
	24	5.65 a	8.71 a	16.58 a	22.16 a	7.82 a	12.14 a	21.03 a	28.5 a	0.07 a*	1.11 a	2.52 a	3.73 a	6.32 a
9	12	6.44 a	9.51 a	17.31 a	22.85 a	8.62 a	12.95 a	21.77 a	28.99 a	0.7 a*	1.62 a	2.92 a	4.12 a	6.67 a
	16	5.95 a	8.98 a	16.73 a	22.25 a	8.09 a	12.39 a	21.15 a	28.36 a	0.34 a*	1.33 a	2.69 a	3.89 a	6.47 a
	24	4.96 a	7.93 a	15.58 a	21.06 a	7.05 a	11.26 a	19.91 a	27.09 a		0.74 a	2.23 a	3.45 a	6.07 a
10	12	6.01 a	9 a	16.57 a	22.01 a	8.1 a	12.34 a	20.95 a	27.83 a	0.45 a*	1.41 a	2.76 a	3.96 a	6.53 a
	16	5.41 a	8.36 a	15.87 a	21.29 a	7.47 a	11.66 a	20.2 a	27.07 a		1.05 a	2.47 a	3.68 a	6.28 a
	24	4.2 a	7.08 a	14.48 a	19.84 a	6.2 a	10.29 a	18.7 a	25.54 a		0.33 a	1.9 a	3.13 a	5.79 a
12	12	5.02 a	7.87 a	14.88 a	20.1 a	6.96 a	10.96 a	19.13 a	25.22 a		0.94 a	2.38 a	3.6 a	6.2 a
	16	4.19 a	6.98 a	13.93 a	19.11 a	6.08 a	10.02 a	18.09 a	24.18 a		0.42 a	1.97 a	3.2 a	5.85 a
	24	2.52 c	5.2 b	12.02 a	17.11 a	4.33 b	8.13 a	16.03 a	22.12 a			1.15 b	2.41 a	5.13 a
14	12	3.92 b	6.61 a	12.99 a	18.01 a	5.7 a	9.43 a	16.94 a	22.32 a		0.38 b	1.94 a	3.17 a	5.82 a
	16	2.84 c	5.45 b	11.78 a	16.73 a	4.57 c	8.21 a	15.62 a	21.01 a			1.38 b	2.63 a	5.33 a
	24	0.68 e	3.14 d	9.34 c	14.16 a	2.31 d	5.77 c	12.97 b	18.41 a			0.26 d	1.55 c	4.36 b
16	12	2.76 d	5.26 c	11.03 a	15.44 a	4.37 c	7.8 b	14.37 a	19.27 a			1.42 c	2.67 b	5.37 a
	16	1.43 e	3.83 d	9.55 b	13.9 a	2.99 d	6.3 c	12.79 b	17.72 a			0.69 d	1.97 c	4.73 b
	24		0.96 e	6.59 d	10.83 c	0.22 e	3.31 e	9.63 d	14.61 c				0.56 e	3.46 d

Notes

*Please see Combined Axial and Lateral Load Table Notes on page 37.

Complies with the 2021 International Building Code and AISI S100-16/S2-20

FLOOR & ROOF JOIST SPAN TABLES

Allowable Floor and Roof Joist Span Table Notes

1. All loads are computed in accordance with AISI S100-16/S2-20, NAS for Design of Cold-Formed Steel Structural Members with Supplement 2
2. Total loads shown are for single span condition and are limited by allowable bending stress or allowable end shear. Live loads shown are limited by allowable bending stress, allowable end shear, or by deflection on $\frac{1}{360}$ of span.
3. Total load values in table are based on maximum allowable stress only. To limit total load deflection to $\frac{1}{240}$ of span, multiply live load value shown by 1.5.
4. For two equal continuous spans, the total load shown in these tables will not change. The live load shown may be increased by a factor of 2.4 to maintain the $L/360$ live load deflection limit, however live load, in any case, cannot exceed the total load shown. Combined bending and shear stresses should be investigated by the designer.
5. Joists must be braced against rotation at all supports.
6. End web crippling check is based on 3.5 inch end bearing. Joist flanges must be fastened to the support.
7. Spans are based on continuous support of compression flange over the full length of the joist.
8. End shear and web crippling capacity have not been reduced for punchouts.
9. "a" indicates that web stiffeners are required at all supports.
10. Allowable flexural strength values in the tables are based on the minimum of local, distortional, and lateral-torsional buckling. Distortional buckling strength is based on a $k_o = 0$. Higher values may be obtained when sheathing is applied to the walls resulting in a higher k -phi value.

Complies with the 2021 International Building Code and AISI S100-16/S2-20

FLOOR & ROOF JOIST SPAN TABLES

Allowable Uniform Load Table (psf) - Simple Span Joists @24" o.c. Spacing

Member	Fy (ksi)	Load	Span (ft)																
			6'-0"	7'-0"	8'-0"	9'-0"	10'-0"	11'-0"	12'-0"	13'-0"	14'-0"	15'-0"	16'-0"	17'-0"	18'-0"	19'-0"	20'-0"	22'-0"	24'-0"
600S162-33	33	Total	168	124	95	75	61	50	42	36	31	27	24	21	19	17	15	13	11
		Live	168	124	95	75	61	50	42	36	29	23	19	16	13	11	10	7	6
600S200-33	33	Total	193	142	109	86	70	57	48	41	35	31	27	24	21	19	17	14	12
		Live	193	142	109	86	70	57	48	41	33	27	22	18	15	13	11	8	7
600S162-43	33	Total	252	185	142	112	91	75	63	54	46	40	35	31	28	25	23	19	16
		Live	252	185	142	112	91	75	59	46	37	30	25	21	17	15	13	10	7
600S200-43	33	Total	276	203	155	123	99	82	69	59	51	44	39	34	31	27	25	21	17
		Live	276	203	155	123	99	82	68	53	43	35	29	24	20	17	15	11	8
600S250-43	33	Total	291	214	164	129	105	87	73	62	53	47	41	36	32	29	26	22	18
		Live	291	214	164	129	105	87	73	61	49	40	33	27	23	20	17	13	10
600S162-54	50	Total	426	313	240	189	153	127	107	91	78	68	60	53	47	43	38	32	27
		Live	426	313	240	172	125	94	72	57	46	37	31	25	21	18	16	12	9
600S200-54	50	Total	487	358	274	217	175	145	122	104	90	78	69	61	54	49	44	36	30
		Live	487	358	274	199	145	109	84	66	53	43	35	30	25	21	18	14	10
600S250-54	50	Total	513	377	289	228	185	153	128	109	94	82	72	64	67	61	46	38	32
		Live	513	377	289	228	167	125	97	76	61	49	41	34	29	24	21	16	12
600S162-68	50	Total	612	450	344	272	220	182	153	130	112	98	86	76	68	61	55	46	38
		Live	612	449	301	211	154	116	89	70	56	46	38	31	26	22	19	14	11
600S200-68	50	Total	657	483	370	292	237	195	164	140	121	105	92	82	73	66	59	49	41
		Live	657	483	350	246	179	135	104	82	65	53	44	36	31	26	22	17	13
600S250-68	50	Total	697	512	392	310	251	207	174	148	128	111	98	87	77	69	63	52	44
		Live	697	512	392	283	207	155	120	94	75	61	50	42	35	30	26	19	15
600S162-97	50	Total	1005	738	565	447	362	299	251	214	185	161	141	125	112	100	90	75	63
		Live	971	612	410	288	210	158	121	95	76	62	51	43	36	31	26	20	15
600S200-97	50	Total	1127	828	634	501	406	335	282	240	207	180	158	140	125	112	101	84	70
		Live	1127	715	479	337	245	184	142	112	89	73	60	50	42	36	31	23	18
600S250-97	50	Total	1096	805	616	487	395	326	274	233	201	175	154	137	122	109	99	82	68
		Live	1096	805	555	390	284	213	164	129	104	84	69	58	49	41	36	27	21
600S162-118	50	Total	1207 a	933	714	564	457	378	317	271	233	203	179	158	141	127	114	94	79
		Live	1145 a	721	483	339	247	186	143	113	90	73	60	50	42	36	31	23	18
600S200-118	50	Total	1207 a	1035	811	641	519	429	361	307	265	231	203	180	160	144	130	107	90
		Live	1207 a	847	567	398	290	218	168	132	106	86	71	59	50	42	36	27	21
600S250-118	50	Total	1207 a	1026	785	620	503	415	349	297	256	223	196	174	155	139	126	104	87
		Live	1207 a	983	659	463	337	253	195	154	123	100	82	69	58	49	42	32	24
800S162-331	33	Total	126 a	108	95	84	68	56	47	40	35	30	26	23	21	19	17	14	12
		Live	126 a	108 a	95 a	84	68	56	47	40	35	30	26	23	21	19	17	14	11
800S200-331	33	Total	126 a	108 a	95 a	84 a	76 a	65	54	46	40	35	31	27	24	22	20	16	14
		Live	126 a	108 a	95 a	84 a	76 a	65	54	46	40	35	31	27	24	22	20	16	13
800S162-43	33	Total	326	240	184	145	117	97	82	70	60	52	46	41	36	33	29	24	20
		Live	326	240	184	145	117	97	82	70	60	52	46	40	34	29	25	18	14
800S200-43	33	Total	350 a	277	212	167	136	112	94	80	69	60	53	47	42	38	34	28	24
		Live	350 a	277	212	167	136	112	94	80	69	60	53	47	40	34	29	22	17
800S250-43	33	Total	350 a	291	223	176	143	118	99	84	73	63	56	49	44	40	36	29	25
		Live	350 a	291	223	176	143	118	99	84	73	63	56	49	44	38	33	25	19
800S162-54	50	Total	580	426	326	258	209	173	145	124	107	93	82	72	64	58	52	43	36
		Live	580	426	326	258	209	173	144	113	91	74	61	51	43	36	31	23	18
800S200-54	50	Total	667	490	375	296	240	198	167	144	122	107	94	83	74	67	60	50	42
		Live	667	490	375	296	240	198	166	131	105	85	70	58	49	42	36	27	21
800S250-54	50	Total	697 a	515	394	311	252	208	175	149	129	112	99	87	78	70	63	52	44
		Live	697 a	515	394	311	252	208	175	147	118	96	79	66	55	47	40	30	23
800S162-68	50	Total	794	584	447	353	286	236	199	169	146	127	112	99	88	77	71	59	50
		Live	794	584	447	353	286	232	179	141	113	92	75	63	53	45	39	29	22
800S200-68	50	Total	910	668	512	404	328	271	227	194	167	146	128	113	101	91	82	68	57
		Live	910	668	512	404	328	267	206	162	130	105	87	72	61	52	44	33	26
800S250-68	50	Total	960	705	540	427	346	286	240	205	176	154	135	120	107	96	86	71	60
		Live	960	705	540	427	346	286	234	184	147	120	99	82	69	59	51	38	29
800S162-97	50	Total	1385	1017	779	615	498	412	346	295	254	222	195	172	154	138	125	103	87
		Live	1385	1017	779	583	425	319	246	193	155	126	104	86	73	62	53	40	31
800S200-97	50	Total	1589	1168	894	706	572	473	397	339	292	254	224	198	177	159	143	118	99
		Live	1589	1168	894	672	490	368	283	223	178	145	120	100	84	71	61	46	35
800S250-97	50	Total	1537	1129	865	683	553	457	384	327	282	246	216	192	171	153	138	114	96
		Live	1537	1129	865	683	553	420	324	254	204	166	136	114	96	82	70	53	40

Notes

Total loads shown are for single span condition and are limited by allowable bending stress or allowable end shear. Live loads shown are limited by allowable bending stress, allowable end shear, or by deflection of 1/360 of span. To limit total load deflection to 1/240 of span, multiply Live Load value shown by 1.5, or apply the Total Load value, whichever is less.

*See additional Allowable Floor Joist Span Table Notes on page 67

Complies with the 2021 International Building Code and AISI S100-16/S2-20

FLOOR & ROOF JOIST SPAN TABLES

Allowable Uniform Load Table (psf) - Simple Span Joists @24" o.c. Spacing

Member	Fy (ksi)	Load	Span (ft)																
			6'-0"	7'-0"	8'-0"	9'-0"	10'-0"	11'-0"	12'-0"	13'-0"	14'-0"	15'-0"	16'-0"	17'-0"	18'-0"	19'-0"	20'-0"	22'-0"	24'-0"
800S162-118	50	Total	1868	1372	1051	830	672	556	467	398	343	299	263	233	208	186	168	139	117
		Live	1868	1372	983	690	503	378	291	229	183	149	123	102	86	73	63	47	36
800S200-118	50	Total	2080	1528	1170	925	749	619	520	443	382	333	293	259	231	207	187	155	130
		Live	2080	1528	1137	799	582	437	337	285	212	173	142	119	100	85	73	55	42
800S250-118	50	Total	1982	1456	1115	881	714	590	496	422	364	317	279	247	220	198	178	147	124
		Live	1982	1456	1115	881	666	501	386	303	243	197	163	136	114	97	83	63	48
Member	Fy (ksi)	Load	Span (ft)																
			11'-0"	12'-0"	13'-0"	14'-0"	15'-0"	16'-0"	17'-0"	18'-0"	19'-0"	20'-0"	22'-0"	24'-0"	26'-0"	28'-0"	30'-0"	32'-0"	34'-0"
1000S162-43 ¹	33	Total	100	84	71	62	54	47	42	37	33	30	25	21	18	15	13	12	10
		Live	100	84	71	62	54	47	42	37	33	30	25	21	18	15	12	10	8
1000S200-43 ¹	33	Total	117	98	84	72	63	55	49	44	39	35	29	25	21	18	16	14	12
		Live	117	98	84	72	63	55	49	44	39	35	29	25	21	17	14	11	10
1000S250-43 ¹	33	Total	122	104	88	76	66	58	52	46	41	37	31	26	22	19	17	15	13
		Live	122	104	88	76	66	58	52	46	41	37	31	26	22	19	17	14	11
1000S162-54	50	Total	213	179	153	132	115	101	89	80	71	64	53	45	38	33	29	25	22
		Live	213	179	153	132	115	101	86	72	61	53	40	30	24	19	16	13	11
1000S200-54	50	Total	248	209	178	153	134	117	104	93	83	75	62	52	44	38	33	29	26
		Live	248	209	178	153	134	117	98	82	70	60	45	35	27	22	18	15	12
1000S250-54	50	Total	283	221	188	162	141	124	110	98	88	79	66	55	47	41	35	31	27
		Live	283	221	188	162	141	124	110	95	81	69	52	40	32	25	21	17	14
1000S162-68	50	Total	296	249	212	183	159	140	124	111	99	90	74	62	53	46	40	35	31
		Live	296	249	212	183	155	128	107	90	76	65	49	38	30	24	19	16	13
1000S200-68	50	Total	342	288	245	211	184	162	143	128	115	104	86	72	61	53	46	40	36
		Live	342	288	245	211	177	146	122	102	87	75	56	43	34	27	22	18	15
1000S250-68	50	Total	363	305	260	224	195	172	152	136	122	110	91	76	65	56	49	43	38
		Live	363	305	260	224	195	168	140	118	100	86	65	50	39	31	25	21	18
1000S162-97	50	Total	483	406	346	298	260	228	202	180	162	146	121	102	86	75	65	57	51
		Live	483	406	338	270	220	181	151	127	108	93	70	54	42	34	27	23	19
1000S200-97	50	Total	554	465	396	342	298	262	232	207	186	167	138	116	99	85	74	65	58
		Live	554	465	385	308	250	206	172	145	123	106	79	61	48	39	31	26	22
1000S250-97	50	Total	590	496	423	364	317	279	247	220	198	179	148	124	106	91	79	70	62
		Live	590	496	423	348	283	233	194	164	139	119	90	69	54	43	35	29	24
1000S162-118	50	Total	664	558	476	410	357	314	278	248	223	201	166	140	119	103	89	78	70
		Live	663	510	401	321	261	215	179	151	129	110	83	64	50	40	33	27	22
1000S200-118	50	Total	759	638	543	469	408	359	318	283	254	230	190	159	136	117	102	90	79
		Live	757	583	459	367	299	246	205	173	147	126	95	73	57	46	37	31	26
1000S250-118	50	Total	769	646	551	475	414	364	322	287	258	233	192	162	138	119	103	91	81
		Live	769	646	519	416	338	278	232	195	166	143	107	82	65	52	42	35	29
1200S162-54 ¹	50	Total	200 a	174	148	128	111	98	87	77	69	63	52	43	37	32	28	24	22
		Live	200 a	174	148	128	111	98	87	77	69	63	52	43	37	29	24	20	16
1200S200-54 ¹	50	Total	200 a	184 a	170	151	131	115	102	91	82	74	61	51	44	38	33	29	26
		Live	200 a	184 a	170	151	131	115	102	91	82	74	61	51	41	33	26	22	18
1200S250-54 ¹	50	Total	200 a	171	146	126	109	96	85	76	68	62	51	43	47	40	35	31	27
		Live	200 a	171	146	126	109	96	85	76	68	62	51	43	46	37	30	25	21
1200S162-68	50	Total	348	293	249	215	187	165	146	130	117	105	87	73	62	54	47	41	36
		Live	348	293	249	215	187	165	146	130	117	101	76	58	46	37	30	25	20
1200S200-68	50	Total	407	342	292	251	219	193	171	152	137	123	102	86	73	63	55	48	45
		Live	407	342	292	251	219	193	171	152	133	114	86	66	52	42	34	28	23
1200S250-68	50	Total	436	366	312	269	234	206	182	163	146	132	109	91	78	67	59	51	46
		Live	436	366	312	269	234	206	182	163	146	129	97	75	59	47	38	31	26
1200S162-97	50	Total	581	488	416	358	312	274	243	217	195	176	145	122	104	90	78	69	61
		Live	581	488	416	358	312	274	238	200	170	146	110	85	67	53	43	36	30
1200S200-97	50	Total	671	564	481	414	361	317	281	251	225	203	168	141	120	104	90	79	70
		Live	671	564	481	414	361	317	269	226	192	165	124	95	75	60	49	40	34
1200S250-97	50	Total	719	604	515	444	387	340	301	269	241	218	180	151	129	111	97	85	75
		Live	719	604	515	444	387	340	301	254	216	185	139	107	84	67	55	45	38

Notes

Total loads shown are for single span condition and are limited by allowable bending stress or allowable end shear. Live loads shown are limited by allowable bending stress, allowable end shear, or by deflection of 1/360 of span. To limit total load deflection to 1/240 of span, multiply Live Load value shown by 1.5, or apply the Total Load value, whichever is less.

*See additional Allowable Floor Joist Span Table Notes on page 67

Complies with the 2021 International Building Code and AISI S100-16/S2-20

FLOOR & ROOF JOIST SPAN TABLES

Allowable Uniform Load Table (psf) - Simple Span Joists @24" o.c. Spacing

Member	Fy (ksi)	Load	Span (ft)																
			11'-0"	12'-0"	13'-0"	14'-0"	15'-0"	16'-0"	17'-0"	18'-0"	19'-0"	20'-0"	22'-0"	24'-0"	26'-0"	28'-0"	30'-0"	32'-0"	34'-0"
1200S162-118	50	Total	765	643	548	472	411	362	320	286	256	231	191	161	137	118	103	90	80
		Live	765	643	548	472	411	343	286	241	205	176	132	102	80	64	52	43	35
1200S200-118	50	Total	881	740	631	544	474	416	369	329	295	266	220	185	158	136	118	104	92
		Live	881	740	631	544	471	388	323	272	232	199	149	115	90	72	59	48	40
1200S250-118	50	Total	947	796	678	585	509	448	396	354	317	286	237	199	169	146	127	112	99
		Live	947	796	678	585	509	435	362	305	260	223	167	129	101	81	66	54	44
1200S300-118	50	Total	993	834	711	613	534	469	416	371	333	300	248	209	178	153	134	117	104
		Live	993	834	711	613	534	469	401	338	287	246	185	143	112	90	73	60	49
1200S350-118	50	Total	1197	1006	857	739	644	566	501	447	401	362	299	252	214	185	161	141	125
		Live	1197	1006	857	739	644	555	463	390	331	284	213	164	129	104	84	69	56
1400S200-54 ¹	50	Total	171 a	157 a	145	134 a	125 a	118 a	111 a	103	92	83	69	58	49	43	37	33	29
		Live	171 a	157 a	145 a	134 a	125 a	118 a	111 a	103	92	83	69	58	49	43	37	31	26

Notes

Total loads shown are for single span condition and are limited by allowable bending stress or allowable end shear. Live loads shown are limited by allowable bending stress, allowable end shear, or by deflection of 1/360 of span. To limit total load deflection to 1/240 of span, multiply Live Load value shown by 1.5, or apply the Total Load value, whichever is less.

*See additional Allowable Floor Joist Span Table Notes on page 67

Complies with the 2021 International Building Code and AISI S100-16/S2-20

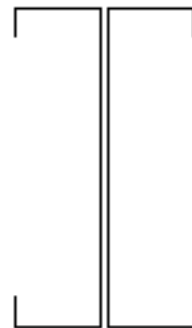
HEADER LOAD TABLES

Header Load Table Notes

1. Calculated properties are based on AISI S100-16/S2-20, "North American Specification for Design of Cold-Formed Steel Structural Members."
2. Allowable deflection limit is $L/360$.
3. Allowable capacities have not been modified for wind or earthquake loading.
4. Headers are made from two "boxed" or back-to-back members.
5. Allowable moment, shear, and web crippling capacities are based on twice the capacity of a single member. The moment of inertia is based on twice the value of the single member.
6. Minimum bearing length for web crippling = 1-inch
7. Capacities are calculated for unpunched members only.
8. Members are assumed adequately braced for bending.
9. Allowable loads are for simply supported headers with uniform bending loads only.
10. "e" Web stiffeners are required at each support.



Boxed Header



Back-to-Back "I" Header

Complies with the 2021 International Building Code and AISI S100-16/S2-20

HEADER LOAD TABLES

Header Allowable Uniform Loads (lb/ft)								
Member	Yield, F _y , ksi	SPAN						
		3 (ft)	4 (ft)	5 (ft)	6 (ft)	8 (ft)	10 (ft)	12 (ft)
550S162-33	33	931 e	698 e	535 e	371 e	209 e	127 e	74 e
550S162-43	33	2066 e	1203 e	770 e	535 e	301 e	165 e	95 e
550S162-54	33	2761 e	1553 e	994 e	690 e	388 e	203 e	118
550S162-54	50	3617 e	2034 e	1302 e	904 e	397 e	203 e	118
550S162-68	50	5032 e	2831 e	1812 e	1158 e	489 e	250 e	145
600S137-33	33	850 e	638 e	465 e	323 e	182 e	116 e	78 e
600S162-33	33	851 e	638 e	510 e	420 e	236 e	151 e	91 e
600S200-33	33	851 e	638 e	510 e	425 e	251 e	161 e	104 e
600S137-43	33	1860 e	1046 e	670 e	465 e	262 e	167 e	103 e
600S162-43	33	1887 e	1357 e	869 e	603 e	339 e	202 e	117 e
600S200-43	33	1887 e	1415 e	915 e	636 e	358 e	229 e	136 e
600S250-43	33	1887 e	1415 e	958 e	665 e	374 e	240 e	156 e
600S137-54	33	2419 e	1361 e	871 e	605 e	340 e	218 e	127
600S137-54	50	3393 e	1909 e	1222 e	848 e	430 e	220 e	127
600S162-54	33	3119 e	1754 e	1123 e	780 e	439 e	250 e	145 e
600S162-54	50	3763 e	2299 e	1472 e	1022 e	488 e	250 e	145 e
600S200-54	33	3550 e	1997 e	1278 e	887 e	499 e	290 e	168 e
600S200-54	50	3763 e	2514 e	1609 e	1117 e	567 e	290 e	168 e
600S250-54	33	3364 e	1892 e	1211 e	841 e	473 e	303 e	193 e
600S250-54	50	3763 e	2630 e	1683 e	1169 e	644 e	330 e	191 e
600S137-68	50	4540 e	2554 e	1635 e	1135 e	528 e	271 e	157
600S162-68	50	5685 e	3198 e	2046 e	1421 e	602 e	308 e	178
600S200-68	50	5906 e	3322 e	2126 e	1476 e	700 e	358 e	207 e
600S250-68	50	6089 e	3425 e	2192 e	1522 e	807 e	413 e	239 e
600S137-97	50	7480 e	4208 e	2693 e	1696 e	715	366	212
600S162-97	50	8358 e	4702 e	3009 e	1942 e	819	420	243
600S200-97	50	9517 e	5353 e	3426 e	2272 e	959 e	491	284
600S250-97	50	9174 e	5160 e	3303 e	2293 e	1110 e	568	329
600S162-118	50	10159 e	5715 e	3657 e	2289 e	966	495	286
600S200-118	50	11568 e	6507 e	4165 e	2690 e	1135	581	336
600S250-118	50	11321 e	6368 e	4076 e	2830 e	1318 e	675	390
800S137-33'	33	632 e	474 e	379 e	316 e	208 e	133 e	93 e
800S162-33'	33	632 e	474 e	379 e	316 e	237 e	153 e	106 e
800S200-33'	33	632 e	474 e	379 e	316 e	237 e	174 e	121 e
800S137-43	33	1401 e	1051 e	841 e	641 e	361 e	231 e	160 e
800S162-43	33	1401 e	1051 e	841 e	701 e	412 e	264 e	183 e
800S200-43	33	1401 e	1051 e	841 e	701 e	526 e	339 e	236 e
800S250-43	33	1401 e	1051 e	841 e	701 e	526 e	341 e	237 e
800S137-54	33	2788 e	1916 e	1226 e	852 e	479 e	307 e	213 e
800S137-54	50	2788 e	2091 e	1673 e	1173 e	660 e	422 e	252 e
800S162-54	33	2788 e	2091 e	1391 e	966 e	543 e	348 e	241 e
800S162-54	50	2788 e	2091 e	1673 e	1336 e	752 e	481 e	284 e
800S200-54	33	2788 e	2091 e	1673 e	1321 e	743 e	476 e	330 e
800S200-54	50	2788 e	2091 e	1673 e	1394 e	925 e	575 e	332 e
800S250-54	33	2788 e	2091 e	1673 e	1246 e	701 e	449 e	312 e
800S250-54	50	2788 e	2091 e	1673 e	1394 e	929 e	595 e	374 e
800S137-68	50	5627 e	3621 e	2318 e	1610 e	905 e	550 e	318 e
800S162-68	50	5627 e	4110 e	2631 e	1827 e	1028 e	618 e	358 e
800S200-68	50	5627 e	4220 e	3176 e	2205 e	1240 e	712 e	412 e
800S250-68	50	5627 e	4220 e	3268 e	2270 e	1277 e	809 e	468 e
800S137-97	50	10850 e	6103 e	3906 e	2712 e	1468 e	752 e	435
800S162-97	50	12255 e	6894 e	4412 e	3064 e	1659 e	849 e	491
800S200-97	50	14283 e	8034 e	5142 e	3571 e	1913 e	980 e	567
800S250-97	50	13603 e	7652 e	4897 e	3401 e	1913 e	1118 e	647 e
800S162-118	50	15551 e	8748 e	5598 e	3888 e	1965 e	1006 e	582
800S200-118	50	17437 e	9808 e	6277 e	4359 e	2274 e	1164 e	674
800S250-118	50	16794 e	9447 e	6046 e	4199 e	2362 e	1333 e	771
1000S162-43'	33	1115 e	836 e	669 e	557 e	418 e	280 e	194 e
1000S200-43'	33	1115 e	836 e	669 e	557 e	418 e	317 e	220 e
1000S250-43'	33	1115 e	836 e	669 e	557 e	418 e	334 e	241 e

Notes

See Header Load Table Notes on page 71.

Complies with the 2021 International Building Code and AISI S100-16/S2-20

HEADER LOAD TABLES

Header Allowable Uniform Loads (lb/ft)

Member	Yield, F _y , ksi	SPAN						
		3 (ft)	4 (ft)	5 (ft)	6 (ft)	8 (ft)	10 (ft)	12 (ft)
1000S162-54	33	2213 e	1660 e	1328 e	1107 e	697 e	446 e	310 e
1000S162-54	50	2213 e	1660 e	1328 e	1107 e	830 e	611 e	424 e
1000S200-54	33	2213 e	1660 e	1328 e	1107 e	806 e	516 e	358 e
1000S200-54	50	2213 e	1660 e	1328 e	1107 e	830 e	663 e	460 e
1000S250-54	33	2213 e	1660 e	1328 e	1107 e	830 e	594 e	412 e
1000S250-54	50	2213 e	1660 e	1328 e	1107 e	830 e	664 e	505 e
1000S162-68	50	4460 e	3345 e	2676 e	2230 e	1323 e	847 e	588 e
1000S200-68	50	4460 e	3345 e	2676 e	2230 e	1490 e	954 e	662 e
1000S250-68	50	4460 e	3345 e	2676 e	2230 e	1673 e	1092 e	759 e
1000S162-97	50	13149 e	8120 e	5197 e	3609 e	2030 e	1299 e	858 e
1000S200-97	50	13149 e	9298 e	5950 e	4132 e	2324 e	1488 e	978 e
1000S250-97	50	13149 e	9862 e	6709 e	4659 e	2621 e	1677 e	1104 e
1000S162-118	50	19372 e	10897 e	6974 e	4843 e	2724 e	1743 e	1021 e
1000S200-118	50	21652 e	12453 e	7970 e	5534 e	3113 e	1992 e	1166 e
1000S250-118	50	21652 e	12938 e	8280 e	5750 e	3234 e	2070 e	1320 e
1200S162-54	33	1836 e	1377 e	1102 e	918 e	689 e	454 e	315 e
1200S162-54	50	1836 e	1377 e	1102 e	918 e	689 e	551 e	433 e
1200S200-54	33	1836 e	1377 e	1102 e	918 e	689 e	524 e	364 e
1200S200-54	50	1836 e	1377 e	1102 e	918 e	689 e	551 e	459 e
1200S250-54	33	1836 e	1377 e	1102 e	918 e	689 e	534 e	371 e
1200S250-54	50	1836 e	1377 e	1102 e	918 e	689 e	551 e	459 e
1200S162-68	50	3693 e	2770 e	2216 e	1847 e	1385 e	1034 e	718 e
1200S200-68	50	3693 e	2770 e	2216 e	1847 e	1385 e	1108 e	807 e
1200S250-68	50	3693 e	2770 e	2216 e	1847 e	1385 e	1108 e	814 e
1200S162-97	50	10860 e	8145 e	6476 e	4497 e	2530 e	1619 e	1124 e
1200S200-97	50	10860 e	8145 e	6516 e	5130 e	2886 e	1847 e	1283 e
1200S250-97	50	10860 e	8145 e	6516 e	5430 e	3117 e	1995 e	1385 e
1200S162-118	50	19976 e	12852 e	8225 e	5712 e	3213 e	2056 e	1428 e
1200S200-118	50	19976 e	14591 e	9338 e	6485 e	3648 e	2335 e	1621 e
1200S250-118	50	19976 e	14982 e	10438 e	7249 e	4077 e	2609 e	1812 e
1200S300-118	50	19976 e	14982 e	11551 e	8022 e	4512 e	2888 e	2005 e
1200S350-118	50	19976 e	14982 e	11986 e	9241 e	5198 e	3327 e	2310 e
1400S200-54	33	1568 e	1176 e	941 e	784 e	588 e	470 e	392 e
1400S200-54	50	1568 e	1176 e	941 e	784 e	588 e	470 e	392 e
1400S250-54	33	1568 e	1176 e	941 e	784 e	588 e	470 e	392 e
1400S250-54	50	1568 e	1176 e	941 e	784 e	588 e	470 e	392 e
1400S300-54	33	1568 e	1176 e	941 e	784 e	588 e	470 e	392 e
1400S300-54	50	1568 e	1176 e	941 e	784 e	588 e	470 e	392 e
1400S200-68	50	3152 e	2364 e	1891 e	1576 e	1182 e	946 e	788 e
1400S250-68	50	3152 e	2364 e	1891 e	1576 e	1182 e	946 e	788 e
1400S300-68	50	3152 e	2364 e	1891 e	1576 e	1182 e	946 e	788 e
1400S200-97	50	9251 e	6938 e	5550 e	4625 e	3444 e	2204 e	1531 e
1400S250-97	50	9251 e	6938 e	5550 e	4625 e	3469 e	2373 e	1648 e
1400S300-97	50	9251 e	6938 e	5550 e	4625 e	3469 e	2516 e	1747 e
1400S200-118	50	16991 e	12743 e	10194 e	7825 e	4401 e	2817 e	1956 e
1400S250-118	50	16991 e	12743 e	10194 e	8495 e	4899 e	3135 e	2177 e
1400S300-118	50	16991 e	12743 e	10194 e	8495 e	5224 e	3344 e	2322 e
1600S200-68	50	2749 e	2062 e	1650 e	1375 e	1031 e	825 e	687 e
1600S250-68	50	2749 e	2062 e	1650 e	1375 e	1031 e	825 e	687 e
1600S300-68	50	2749 e	2062 e	1650 e	1375 e	1031 e	825 e	687 e
1600S350-68	50	2749 e	2062 e	1650 e	1375 e	1031 e	825 e	687 e
1600S200-97	50	8056 e	6042 e	4834 e	4028 e	3021 e	2417 e	1778 e
1600S250-97	50	8056 e	6042 e	4834 e	4028 e	3021 e	2417 e	1909 e
1600S300-97	50	8056 e	6042 e	4834 e	4028 e	3021 e	2417 e	2014 e
1600S350-97	50	8056 e	6042 e	4834 e	4028 e	3021 e	2417 e	2014 e
1600S200-118	50	14781 e	11086 e	8869 e	7391 e	5153 e	3298 e	2290 e
1600S250-118	50	14781 e	11086 e	8869 e	7391 e	5543 e	3660 e	2541 e
1600S300-118	50	14781 e	11086 e	8869 e	7391 e	5543 e	3895 e	2705 e
1600S350-118	50	14781 e	11086 e	8869 e	7391 e	5543 e	4434 e	3115 e

Notes

See Header Load Table Notes on page 71.

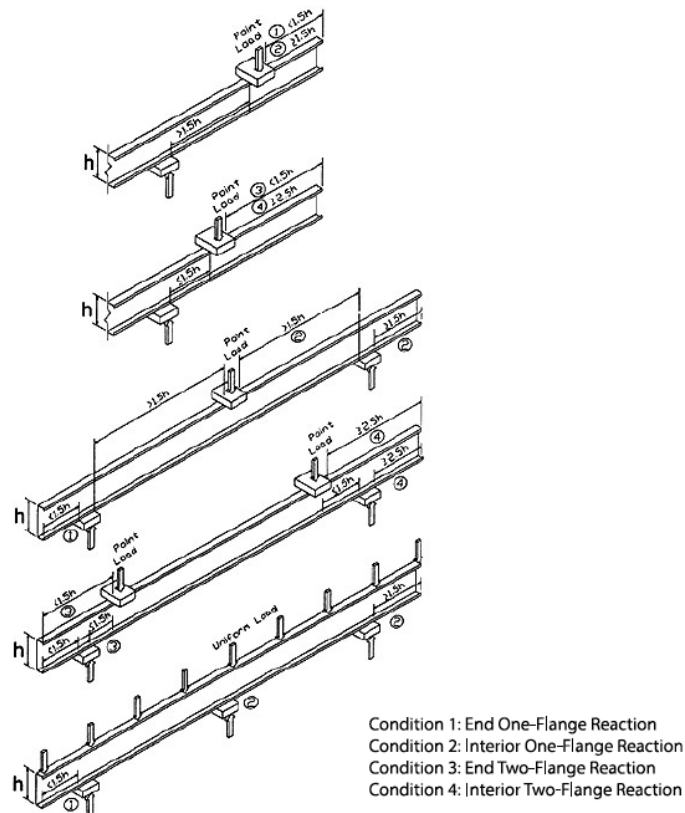
Complies with the 2021 International Building Code and AISI S100-16/S2-20

WEB CRIPPLING LOAD TABLES

Web Crippling Load Table Notes

1. All capacities listed are calculated using AISI S100-16/S2-20.
2. Web crippling capacities calculated are for studs with stiffened or partially stiffened flanges.
3. Tabulated web crippling capacities are for single members only. For multiple members, multiply the tabulated values by number of members in the assembly.
4. Listed allowable capacities are based on members 'fastened to supports,' except back-to-back members under two-flange loading (condition 3 or 4) for which data for 'fastened to supports' is unavailable in the AISI S100-16/S2-20.
5. Listed allowable capacities are for unpunched webs. Capacity reduction for end and interior one flange loading (conditions 1 and 2) near punchouts may be required per Section G6 of S100.

Web Crippling Conditions



Complies with the 2021 International Building Code and AISI S100-16/S2-20

WEB CRIPPLING LOAD TABLES

Allowable Web Crippling Loads (lbs) - Single Members

Member	Design Thickness	Inside Radius	Yield Str	Condition 1				Condition 2				Condition 3				Condition 4															
				1	3.5	4	6	1	3.5	4	6	1	3.5	4	6	1	3.5	4	6												
162S - 18	0.0188	0.0843	33	55	90	1	95	1 ²	112	1 ²	87	125	1	131	1 ²	151	1 ²	45	64	1	67	1 ²	76	1 ²	122	161	1	166	1 ²	187	1 ²
162S - 27	0.0283	0.0796	33	122	194	1	205	1	242	1 ²	218	304	1	317	1	361	1 ²	111	151	1	157	1	178	1 ²	290	371	1	383	1	425	1 ²
162S - 30	0.0312	0.0781	33	148	233	1	246	1	290	1	269	373	1	388	1	442	1 ²	137	185	1	192	1	217	1	356	452	1	466	1	516	1
162S - 33	0.0346	0.0764	33	180	282	1	297	1	350	1	336	462	1	481	1	546	1	170	229	1	237	1	267	1	441	557	1	574	1	634	1
162S - 43	0.0451	0.0712	33	298	459	1	483	1	566	1	589	793	1	823	1	929	1	297	390	1	404	1	452	1	764	946	1	973	1	1067	1
162S - 54	0.0566	0.0849	33	447	678	1	712	1	832	1	904	1196	1	1239	1	1390	1	471	609	1	629	1	700	1	1203	1466	1	1506	1	1642	1
162S - 54	0.0566	0.0849	50	677	1027	1	1079	1	1260	1	1370	1812	1	1877	1	2105	1	714	922	1	953	1	1061	1	1823	2222	1	2281	1	2487	1
162S - 68	0.0713	0.1069	33	672	1004	1	1054	1	1225	1	1386	1802	1	1863	1	2077	1	750	952	1	982	1	1087	1	1901	2282	1	2339	1	2536	1
162S - 68	0.0713	0.1069	50	1019	1522	1	1596	1	1856	1	2100	2730	1	2823	1	3148	1	1136	1443	1	1488	1	1646	1	2880	3458	1	3544	1	3842	1
250S - 18	0.0188	0.0843	33	52	84		89	2	106	1 ²	85	122		128	2	147	1 ²	37	51		54	2	61	1 ²	109	145		150	2	168	1 ²
250S - 27	0.0283	0.0796	33	117	186		196		231	1 ²	213	298		310		354	1 ²	96	130		135		153	1 ²	268	343		354		393	1 ²
250S - 30	0.0312	0.0781	33	141	223		235		277	1	264	366		381		433	1	119	161		167		189	1	330	420		433		479	1
250S - 33	0.0346	0.0764	33	173	271		285		336	1	330	453		472		535	1	150	201		209		235	1	411	519		535		591	1
250S - 43	0.0451	0.0712	33	287	443		466		547	1	580	780		810		913	1	267	351		364		407	1	720	892		918		1006	1
250S - 54	0.0566	0.0849	33	433	657		690		806	1	891	1178		1221		1369	1	430	556		574		639	1	1142	1392		1429		1558	1
250S - 54	0.0566	0.0849	50	656	996		1046		1222	1	1350	1785		1850		2075	1	652	842		870		968	1	1730	2109		2165		2361	1
250S - 68	0.0713	0.1069	33	654	977		1024		1191	1	1368	1778		1839		2050	1	693	880		907		1004	1	1815	2179		2233		2421	1
250S - 68	0.0713	0.1069	50	990	1480		1552		1805	1	2073	2694		2786		3106	1	1049	1333		1375		1521	1	2750	3302		3384		3669	1
350S - 18	0.0188	0.0843	33	49	80		84	2	100	2	83	119		124	2	143	2	28	40		42	2	48	2	98	130		134	2	151	2
350S - 27	0.0283	0.0796	33	112	177		187		221	2	209	292		304		347	2	81	111		115		130	2	247	316		327		362	2
350S - 30	0.0312	0.0781	33	135	214		226		266		259	359		374		425		103	139		144		163		306	389		402		445	
350S - 33	0.0346	0.0764	33	166	260		274		323		324	445		463		526		131	175		182		205		384	484		499		551	
350S - 43	0.0451	0.0712	33	278	428		451		528		571	768		798		900		240	315		326		365		680	842		866		949	
350S - 54	0.0566	0.0849	33	420	638		670		783		879	1162		1204		1351		392	507		524		583		1086	1324		1359		1482	
350S - 54	0.0566	0.0849	50	637	967		1016		1186		1331	1761		1825		2046		694	768		794		883		1645	2005		2059		2245	
350S - 68	0.0713	0.1069	33	637	951		998		1160		1351	1756		1816		2025		640	813		839		928		1737	2085		2137		2317	
350S - 68	0.0713	0.1069	50	965	1441		1512		1758		2047	2661		2752		3068		970	1232		1271		1406		2631	3159		3238		3510	
350S - 97	0.1017	0.1525	33	1209	1760		1841		2126		2629	3328		3431		3792		1343	1663		1710		1876		3562	4184		4276		4597	
350S - 97	0.1017	0.1525	50	1831	2666		2790		3221		3983	5042		5199		5745		2035	2520		2592		2842		5397	6339		6479		6966	
362S - 18	0.0188	0.0843	33	49	79		84	2	99	2	82	119		124	2	143	2	27	39		40	2	46	2	97	128		133	2	149	2
362S - 27	0.0283	0.0796	33	111	177		186		220	2	209	291		303		346	2	80	108		113		120	2	245	313		324		359	2
362S - 30	0.0312	0.0781	33	135	213		224		265		258	358		373		424		101	136		141		160		304	386		398		441	
362S - 33	0.0346	0.0764	33	165	259		273		322		323	444		462		525		129	173		179		202		381	480		495		547	
362S - 43	0.0451	0.0712	33	277	427		449		526		570	767		796		898		236	311		322		360		675	836		860		943	
362S - 54	0.0566	0.0849	33	419	636		668		780		877	1160		1202		1348		388	501		518		577		1079	1316		1351		1473	
362S - 54	0.0566	0.0849	50	634	963		1012		1182		1329	1758		1822		2043		588	760		785		874		1635	1994		2047		2232	
362S - 68	0.0713	0.1069	33	635	948		995		1157		1349	1754		1813		2022		635	806		831		920		1728	2074		2126		2305	
362S - 68	0.0713	0.1069	50	962	1437		1507		1753		2044	2657		2748		3064		961	1221		1259		1393		2618	3143		3221		3492	
362S - 97	0.1017	0.1525	33	1206	1755		1837		2120		2626	3324		3427		3787		1333	1651		1698		1862		3547	4166		4258		4578	
362S - 97	0.1017	0.1525	50	1827	2659		2783		3212		3979	5036		5192		5738		2020	2501		2573		2821		5374	6313		6452		6937	
400S - 27	0.0283	0.0796	33	109	174		183		217	2	207	289		301		344	2	75	102		106		120	2	238	305		315		349	2
400S - 30	0.0312	0.0781	33	133	210		221		261		257	356		370		421		95	129		134		151		296	376		388		429	
400S - 33	0.0346	0.0764	33	163	256		269		317		322	442		460		522		122	164		170		192		372	469		483		534	
400S - 43	0.0451	0.0712	33	274	422		444		520		567	763		792		893		227	299		309		346		662	819		843		924	
400S - 54	0.0566	0.0849	33	415	629		661		772		873	1155		1197		1342		376	485		502		558		1061	1293		1328		1448	
400S - 54	0.0566	0.0849	50	628	954		1002		1170		1323	1750		1813		2034		569	735		760		846		1607	1960		2012		2194	
400S - 68	0.0713	0.1069	33	629	940		986		1147		1344	1746		1806		2014		617	784		809		895		1702	2044		2094		2271	
400S - 68	0.0713	0.1069	50	953	1424		1494		1737		2036	2646		2737		3051		936	1188		1226		1356		2579	3097		3173		3441	
400S - 97	0.1017	0.1525	33	1197	1742		1823		2105		2617	3312		3415		3774		1305	1616		1662		1823		3504	4116		4207		4523	
400S - 97	0.1017	0.1525	50	1814	2640		2762		3189		3965	5018		5175		5718		1978	2449		2518		2761		5309	6236		6374		6853	
550S - 27	0.0283	0.0796	33	103	164		173		205	2	202	282		294																	

WEB CRIPPLING LOAD TABLES

Allowable Web Crippling Loads (lbs) - Single Members

Member	Design Thickness	Inside Radius	Yield Str	Condition 1				Condition 2				Condition 3				Condition 4			
				1	3.5	4	6	1	3.5	4	6	1	3.5	4	6	1	3.5	4	6
600S - 30	0.0312	0.0781	33	124	196	206	244	249	345	360	409	70	95	98	111	260	330	340	377
600S - 33	0.0346	0.0764	33	153	240	253	297	313	430	447	507	93	125	130	146	330	416	429	473
600S - 43	0.0451	0.0712	33	259	400	420	493	553	745	773	872	185	243	252	282	600	743	764	838
600S - 54	0.0566	0.0849	33	395	600	631	736	855	1131	1172	1314	318	411	425	473	975	1189	1221	1331
600S - 54	0.0566	0.0849	50	599	909	956	1116	1295	1713	1775	1991	482	623	644	716	1478	1802	1850	2017
600S - 68	0.0713	0.1069	33	604	902	946	1100	1319	1714	1772	1976	539	684	706	781	1584	1901	1949	2113
600S - 68	0.0713	0.1069	50	914	1366	1433	1666	1998	2596	2685	2994	816	1036	1069	1183	2399	2881	2952	3201
600S - 97	0.1017	0.1525	50	1752	2551	2669	3081	3902	4939	5093	5628	1781	2205	2268	2487	5010	5885	6014	6466
600S - 118	0.1242	0.1863	50	2528	3625	3788	4354	5698	7108	7318	8046	2734	3339	3429	3741	7555	8772	8952	9581
800S - 43	0.0451	0.0712	33	247	381	401	470	542	730	757	854	150	197	204	228	548	678	698	765
800S - 54	0.0566	0.0849	33	379	576	605	706	839	1110	1150	1290	270	349	361	402	904	1102	1131	1234
800S - 54	0.0566	0.0849	50	575	872	917	1070	1272	1682	1743	1955	409	529	547	608	1370	1670	1714	1869
800S - 68	0.0713	0.1069	33	582	870	912	1061	1297	1686	1744	1944	473	601	619	685	1485	1783	1827	1981
800S - 68	0.0713	0.1069	50	882	1318	1382	1607	1966	2555	2642	2946	716	910	939	1038	2250	2701	2768	3001
800S - 97	0.1017	0.1525	50	1702	2477	2592	2992	3850	4873	5025	5553	1618	2003	2060	2259	4761	5593	5716	6146
800S - 118	0.1242	0.1863	50	2462	3531	3689	4241	5629	7023	7229	7949	2518	3075	3158	3445	7223	8387	8559	9160
1000S - 54	0.0566	0.0849	33	365	554	582	680	826	1092	1132	1269	228	295	305	339	841	1026	1053	1148
1000S - 54	0.0566	0.0849	50	553	840	882	1031	1251	1655	1715	1923	346	447	462	514	1275	1554	1595	1740
1000S - 68	0.0713	0.1069	33	563	842	883	1027	1279	1662	1719	1917	415	527	544	602	1398	1679	1721	1866
1000S - 68	0.0713	0.1069	50	854	1275	1338	1556	1938	2518	2604	2904	629	799	824	912	2119	2544	2607	2827
1000S - 97	0.1017	0.1525	50	1657	2413	2525	2914	3805	4816	4966	5488	1476	1827	1879	2060	4545	5338	5456	5866
1000S - 118	0.1242	0.1863	50	2405	3449	3604	4143	5569	6948	7152	7864	2330	2845	2921	3187	6934	8051	8217	8794
1200S - 68	0.0713	0.1069	33	547	817	857	996	1262	1641	1697	1892	363	462	476	527	1320	1585	1625	1762
1200S - 68	0.0713	0.1069	50	828	1237	1298	1509	1913	2486	2571	2866	551	699	721	798	2001	2402	2462	2669
1200S - 97	0.1017	0.1525	50	1618	2355	2464	2844	3764	4764	4912	5429	1348	1668	1716	1882	4350	5109	5222	5614
1200S - 118	0.1242	0.1863	50	2354	3375	3527	4054	5515	6881	7083	7788	2161	2638	2709	2956	6675	7750	7910	8465

Notes

¹ Bearing length to web height ratio, N/h, exceeds limit of 2.0

² Bearing length to thickness ratio, N/t, exceeds limit of 210

See Web Crippling Load Tables Notes page 71.

Complies with the 2021 International Building Code and AISI S100-16/S2-20

WEB CRIPPLING LOAD TABLES

Allowable Web Crippling Loads (lbs) - Back-to-Back Members

Member	Design Thickness	Inside Radius	Yield Str	Condition 1								Condition 2				Condition 3				Condition 4							
				1		3.5		4		6		1		3.5		4		6		1		3.5		4		6	
				1	3.5	1	3.5	1	3.5	1	3.5	1	3.5	1	3.5	1	3.5	1	3.5	1	3.5	1	3.5	1	3.5	1	3.5
162S - 18	0.0188	0.0843	33	124	196	207	244	156	217	226	257	76	100	103	116	153	202	209	234								
162S - 27	0.0283	0.0796	33	268	413	435	510	363	489	507	572	184	236	244	270	386	494	510	566								
162S - 30	0.0312	0.0781	33	321	493	518	606	443	592	614	690	227	288	298	329	478	608	628	695								
162S - 33	0.0346	0.0764	33	389	593	623	729	547	724	750	842	283	357	368	406	600	757	781	862								
162S - 43	0.0451	0.0712	33	638	953	1000	1163	933	1211	1252	1395	494	612	629	690	1066	1320	1358	1489								
162S - 54	0.0566	0.0849	33	949	1395	1462	1692	1427	1820	1878	2081	784	956	982	1071	1696	2068	2123	2315								
162S - 54	0.0566	0.0849	50	1438	2114	2215	2564	2162	2757	2846	3153	1188	1449	1488	1622	2570	3134	3217	3508								
162S - 68	0.0713	0.1069	33	1418	2050	2144	2470	2188	2744	2826	3113	1250	1501	1538	1667	2703	3246	3326	3606								
162S - 68	0.0713	0.1069	50	2148	3106	3248	3742	3315	4157	4282	4717	1894	2274	2330	2526	4096	4918	5040	5464								
250S - 18	0.0188	0.0843	33	123	196	206	244	156	216	225	256	65	85	88	99	131	172	179	200								
250S - 27	0.0283	0.0796	33	267	412	434	509	363	488	506	571	164	211	217	241	344	441	455	505								
250S - 30	0.0312	0.0781	33	320	492	517	605	443	590	612	689	204	260	268	291	430	547	564	625								
250S - 33	0.0346	0.0764	33	389	592	622	727	546	723	749	840	256	323	333	368	544	686	708	781								
250S - 43	0.0451	0.0712	33	637	952	999	1162	932	1209	1250	1393	455	563	580	636	982	1216	1251	1371								
250S - 54	0.0566	0.0849	33	947	1393	1460	1690	1425	1817	1876	2078	730	890	914	997	1579	1925	1977	2155								
250S - 54	0.0566	0.0849	50	1435	2111	2212	2560	2159	2753	2842	3149	1106	1349	1385	1510	2393	2917	2995	3266								
250S - 68	0.0713	0.1069	33	1416	2047	2141	2467	2185	2740	2823	3109	1174	1409	1444	1566	2539	3048	3124	3387								
250S - 68	0.0713	0.1069	50	2145	3102	3244	3737	3311	4152	4277	4711	1778	2135	2188	2373	3846	4618	4733	5131								
350S - 18	0.0188	0.0843	33	123	195	206	243	156	216	225	256	55	72	75	84	110	145	151	169								
350S - 27	0.0283	0.0796	33	267	412	433	508	362	487	505	570	126	146	187	193	214	306	391	404								
350S - 30	0.0312	0.0781	33	320	491	516	604	442	589	611	688	183	233	240	266	386	490	506	560								
350S - 33	0.0346	0.0764	33	388	591	621	726	545	721	748	839	232	292	301	333	492	621	640	706								
350S - 43	0.0451	0.0712	33	636	951	997	1160	931	1207	1248	1391	419	519	534	585	904	1119	1151	1263								
350S - 54	0.0566	0.0849	33	946	1392	1458	1688	1423	1815	1873	2075	680	829	852	929	1471	1794	1842	2008								
350S - 54	0.0566	0.0849	50	1434	2109	2209	2557	2156	2750	2838	3144	1031	1257	1290	1407	2229	2718	2791	3043								
350S - 68	0.0713	0.1069	33	1414	2045	2138	2464	2183	2737	2819	3106	1104	1326	1359	1473	2388	2867	2939	3186								
350S - 68	0.0713	0.1069	50	2143	3098	3240	3733	3307	4147	4272	4706	1673	2009	2059	2232	3618	4345	4452	4827								
350S - 97	0.1017	0.1525	33	2641	3716	3875	4430	4234	5180	5320	5809	2292	2693	2752	2959	4957	5823	5952	6399								
350S - 97	0.1017	0.1525	50	4001	5631	5873	6713	6416	7850	8062	8802	3493	4103	4194	4508	7555	8874	9070	9751								
362S - 18	0.0188	0.0843	33	123	195	206	243	155	216	225	256	53	70	73	82	108	142	147	165								
362S - 27	0.0283	0.0796	33	266	411	433	508	362	487	505	570	144	184	190	211	301	386	398	442								
362S - 30	0.0312	0.0781	33	320	491	516	604	442	589	611	687	181	230	237	262	381	484	499	553								
362S - 33	0.0346	0.0764	33	388	591	621	726	545	721	747	839	229	289	298	329	486	613	632	698								
362S - 43	0.0451	0.0712	33	636	950	997	1160	930	1207	1248	1391	415	514	528	579	895	1109	1140	1250								
362S - 54	0.0566	0.0849	33	946	1391	1458	1687	1423	1815	1873	2075	675	823	845	921	1459	1779	1826	1992								
362S - 54	0.0566	0.0849	50	1433	2108	2208	2557	2156	2750	2838	3144	1022	1246	1280	1395	2211	2695	2767	3017								
362S - 68	0.0713	0.1069	33	1414	2045	2138	2463	2182	2737	2819	3105	1096	1316	1349	1463	2371	2847	2918	3163								
362S - 68	0.0713	0.1069	50	2143	3098	3239	3732	3307	4147	4271	4705	1661	1995	2044	2216	3592	4314	4421	4793								
362S - 97	0.1017	0.1525	33	2641	3716	3875	4430	4234	5180	5320	5809	2292	2693	2752	2959	4957	5823	5952	6399								
362S - 97	0.1017	0.1525	50	4001	5630	5872	6713	6416	7849	8061	8801	3473	4080	4170	4483	7511	8823	9018	9695								
400S - 27	0.0283	0.0796	33	266	411	433	507	362	486	505	569	138	177	182	202	289	370	382	424								
400S - 30	0.0312	0.0781	33	320	490	516	604	441	589	611	687	174	221	228	252	366	465	480	531								
400S - 33	0.0346	0.0764	33	388	591	621	726	545	721	747	838	221	279	287	317	469	592	610	673								
400S - 43	0.0451	0.0712	33	635	950	997	1159	930	1206	1247	1390	403	499	513	563	870	1077	1108	1215								
400S - 54	0.0566	0.0849	33	946	1391	1457	1687	1422	1814	1872	2074	658	803	824	899	1424	1736	1782	1943								
400S - 54	0.0566	0.0849	50	1433	2107	2207	2556	2155	2748	2836	3143	998	1216	1249	1361	2157	2630	2700	2944								
400S - 68	0.0713	0.1069	33	1414	2044	2137	2462	2181	2736	2818	3104	1074	1289	1321	1432	2322	2788	2857	3098								
400S - 68	0.0713	0.1069	50	2142	3097	3238	3731	3305	4145	4270	4703	1627	1953	2002	2170	3518	4224	4329	4694								
400S - 97	0.1017	0.1525	33	2640	3715	3874	4429	4233	5178	5319	5807	2254	2648	2706	2909	4875	5726	5853	6292								
400S - 97	0.1017	0.1525	50	4000	5628	5870	6711	6414	7846	8059	8798	3415	4012	4100	4408	7386	8676	8868	9534								
550S - 27	0.0283	0.0796	33	266	410	432	506	361	485	504	568	116	149	154	171	244	312	322	357								
550S - 30	0.0312	0.0781	33	319	489	515	603	441	588	610	686	149	189	195	216	314	399	411	455								
550S - 33	0.0346	0.0764	33	387	590	620	724	544	720	746	836	192	242	250	276	407	514	530	585								
550S - 43	0.0451	0.0712	33	634	948	995	1157	928	1204	1245	1388	361	447	459	504	778	964	991	1087								
550S - 54	0.0566	0.0849	33	944	1389	1455	1684	1420	1811	1869	2071	600	732	751	819	1298	1582	1624	1771								
550S - 54	0.0566	0.0849	50	1431	2104	2204	2552	2152	2744	2832	3138	909	1108	1138	1241	1966	2397	2461	2683								
550S - 68	0.0713	0.1069	33	1412	2041	2134	2459	2179	2732	2814	3100	993	1192	1222	1324	2147	2578	2642	2864								
550S - 68	0.0713	0.1069	50	2139	3092	3234	3726	3301	4139	4264	4697	1504	1806	1851	2007	3253	3906	4003	4340								
550S - 97	0.1017	0.1525	33	2637	3710	3870	4424	4228	5172	5313	5800	2119	2489	2544	2735	4583	5383	5502	5915								
550S - 97	0.1017	0.1525	50	3995	5622	5863	6703	6406	7837	8049	8788	3211	3771	3855	4144	6944	8157	8337	8963								

Notes

See Header Load Table Notes on page 71.

Complies with the 2021 International Building Code and AISI S100-16/S2-20

WEB CRIPPLING LOAD TABLES

Allowable Web Crippling Loads (lbs) - Back-to-Back Members

Member	Design Thickness	Inside Radius	Yield Str	Condition 1				Condition 2				Condition 3				Condition 4							
				1	3.5	4	6	1	3.5	4	6	1	3.5	4	6	1	3.5	4	6				
600S - 30	0.0312	0.0781	33	319	489	514	602	1	440	587	609	685	1	141	180	185	205	1	298	379	391	433	1
600S - 33	0.0346	0.0764	33	387	589	619	724	1	543	719	745	836	1	183	231	238	263	1	389	491	506	559	1
600S - 43	0.0451	0.0712	33	634	948	995	1157	1	928	1204	1245	1387	1	348	431	443	486	1	751	930	956	1048	1
600S - 54	0.0566	0.0849	33	944	1388	1454	1683	1	1420	1810	1868	2070	1	583	710	729	795	1	1260	1536	1577	1719	1
600S - 54	0.0566	0.0849	50	1430	2103	2203	2551	1	2151	2743	2831	3136	1	883	1076	1105	1205	1	1909	2327	2389	2605	1
600S - 68	0.0713	0.1069	33	1411	2040	2133	2458	1	2178	2731	2813	3099	1	968	1163	1192	1292	1	2095	2515	2577	2794	1
600S - 68	0.0713	0.1069	50	2138	3091	3233	3724	1	3299	4138	4262	4695	1	1467	1762	1806	1958	1	3173	3811	3905	4234	1
600S - 97	0.1017	0.1525	50	3994	5620	5861	6701	1	6404	7834	8046	8785	1	3150	3700	3781	4065	1	6812	8001	8178	8792	1
600S - 118	0.1242	0.1863	50	5696	7892	8218	9351	1	9325	11257	11543	12540	1	4808	5583	5698	6097	1	10398	12074	12322	13187	1
800S - 43	0.0451	0.0712	33	633	946	993	1154		926	1202	1242	1384		302	374	384	421		651	806	829	909	
800S - 54	0.0566	0.0849	33	942	1386	1452	1681		1417	1807	1865	2067		519	633	650	709		1123	1369	1405	1532	
800S - 54	0.0566	0.0849	50	1428	2100	2200	2546		2147	2738	2826	3131		787	959	985	1074		1701	2074	2129	2322	
800S - 68	0.0713	0.1069	33	1409	2037	2130	2455		2174	2727	2809	3094		881	1058	1084	1175		1905	2287	2344	2542	
800S - 68	0.0713	0.1069	50	2135	3087	3228	3719		3295	4132	4256	4688		1335	1602	1642	1780		2886	3466	3552	3851	
800S - 97	0.1017	0.1525	50	3989	5613	5854	6692		6396	7825	8036	8774		2929	3441	3517	3781		6335	7442	7606	8177	
800S - 118	0.1242	0.1863	50	5690	7883	8209	9341		9314	11244	11530	12526		4514	5241	5349	5724		9762	11335	11568	12380	
1000S - 54	0.0566	0.0849	33	941	1384	1450	1678		1415	1805	1863	2064		464	565	580	633		1003	1222	1255	1368	
1000S - 54	0.0566	0.0849	50	1426	2097	2196	2543		2144	2735	2822	3127		702	856	879	959		1519	1852	1901	2073	
1000S - 68	0.0713	0.1069	33	1407	2035	2128	2451		2172	2723	2805	3090		804	965	989	1073		1739	2088	2140	2320	
1000S - 68	0.0713	0.1069	50	2132	3083	3224	3714		3290	4126	4250	4682		1218	1463	1499	1625		2635	3164	3242	3515	
1000S - 97	0.1017	0.1525	50	3985	5607	5848	6685		6389	7816	8028	8764		2737	3215	3286	3533		5919	6953	7107	7640	
1000S - 118	0.1242	0.1863	50	5684	7875	8200	9332		9305	11233	11519	12514		4257	4943	5045	5399		9208	10691	10911	11677	
1200S - 68	0.0713	0.1069	33	1406	2032	2125	2449		2169	2720	2802	3086		735	883	904	981		1590	1909	1956	2121	
1200S - 68	0.0713	0.1069	50	2130	3079	3220	3710		3287	4122	4245	4676		1114	1337	1370	1486		2408	2892	2964	3213	
1200S - 97	0.1017	0.1525	50	3981	5601	5842	6678		6383	7808	8020	8756		2564	3012	3078	3309		5545	6514	6658	7158	
1200S - 118	0.1242	0.1863	50	5679	7868	8193	9323		9297	11223	11508	12503		4027	4676	4772	5107		8710	10113	10321	11046	
1400S - 68	0.0713	0.1069	33	1404	2030	2123	2446		2167	2717	2799	3083		672	806	826	896		1452	1744	1787	1938	
1400S - 68	0.0713	0.1069	50	2127	3076	3216	3706		3283	4117	4241	4671		1018	1222	1252	1358		2201	2642	2708	2936	
1400S - 97	0.1017	0.1525	50	3977	5596	5837	6672		6377	7801	8013	8748		2406	2826	2888	3105		5203	6111	6246	6715	
1400S - 118	0.1242	0.1863	50	5674	7862	8186	9316		9289	11214	11499	12492		3817	4432	4523	4840		8254	9584	9781	10468	
1600S - 97	0.1017	0.1525	50	3974	5592	5832	6667		6372	7795	8006	8741		2259	2653	2712	2915		4885	5738	5864	6305	
1600S - 118	0.1242	0.1863	50	5670	7856	8180	9309		9282	11205	11490	12483		3621	4205	4291	4592		7832	9093	9281	9932	

Notes

¹ Bearing length to web height ratio, N/h, exceeds limit of 2.0

² Bearing length to thickness ratio, N/t, exceeds limit of 210

See Web Crippling Load Tables Notes page 71.

Complies with the 2021 International Building Code and AISI S100-16/S2-20

FASTENERS (SCREWS AND WELDS)

Weld Table Notes

1. Allowable weld capacities are based on Section J2.5 (for fillet welds) and J2.6 (for flare groove welds) of the AISI S100-1 $\frac{1}{2}$ -20
2. When connecting materials of different steel thicknesses or tensile strengths, use the lowest values.
3. Weld capacities are based on Allowable Strength Design (ASD) and include appropriate safety factors.
4. Weld capacities are based on either $\frac{3}{32}$ or $\frac{1}{8}$ " diameter E60 or E70 Electrodes. For thinner materials, 0.030" to 0.035" diameter wire electrodes may provide best results.
5. Parallel capacity is considered to be loading in the direction of the weld.
6. For flare groove welds, the effective throat of weld is conservatively assumed to be less than 2t.

Allowable Weld Capacity (Pounds) for 1-inch of Weld

Thickness (Mils)	Design Thickness	Fy: Yield (ksi)	Fu: Tensile (ksi)	Fillet Welds		Flare Groove Welds	
				Parallel	Perpendicular	Parallel	Perpendicular
				43	0.0451	33	45
54	0.0566	33	45	822	1084	682	832
54	0.0566	50	65	1188	1566	985	1202
68	0.0713	33	45	1082	1365	859	1048
68	0.0713	50	65	1563	1972	1241	1514
97	0.1017	33	45	1618	1947	1226	1495
97	0.1017	50	65	2337	2813	1771	2159
118	0.1242	33	45	Note-1	Note-1	Note-2	Note-2
118	0.1242	50	65	Note-1	Note-1	Note-2	Note-2

Note-1: For fillet welds, AISI S100 Equation E2.5-4 must be checked for 118 mil material, or whenever the thickness of thinnest part is greater than 0.10-inch.

Note-2: For flare groove welds, AISI S100 Equation E2.6-4 must be checked for 118 mil material, or whenever the thickness of thinnest part is greater than 0.10-inch.

Complies with the 2021 International Building Code and AISI S100-16/S2-20

TYPICAL DETAILS

BLOCKING NOTE:
 PLACE SOLID BLOCKING AT ENDS OF FLOOR SYSTEM, ADJACENT TO ALL OPENINGS, AND AT 10'-0" o.c. MAX.

STRAP NOTE:
 TOP STRAP NOT REQ'D. IF CONTINUOUSLY ATTACHED RIGID SHEATHING IS USED. TEMPORARY BRACING OF TOP FLANGE DURING CONSTRUCTION MAY BE REQ'D.

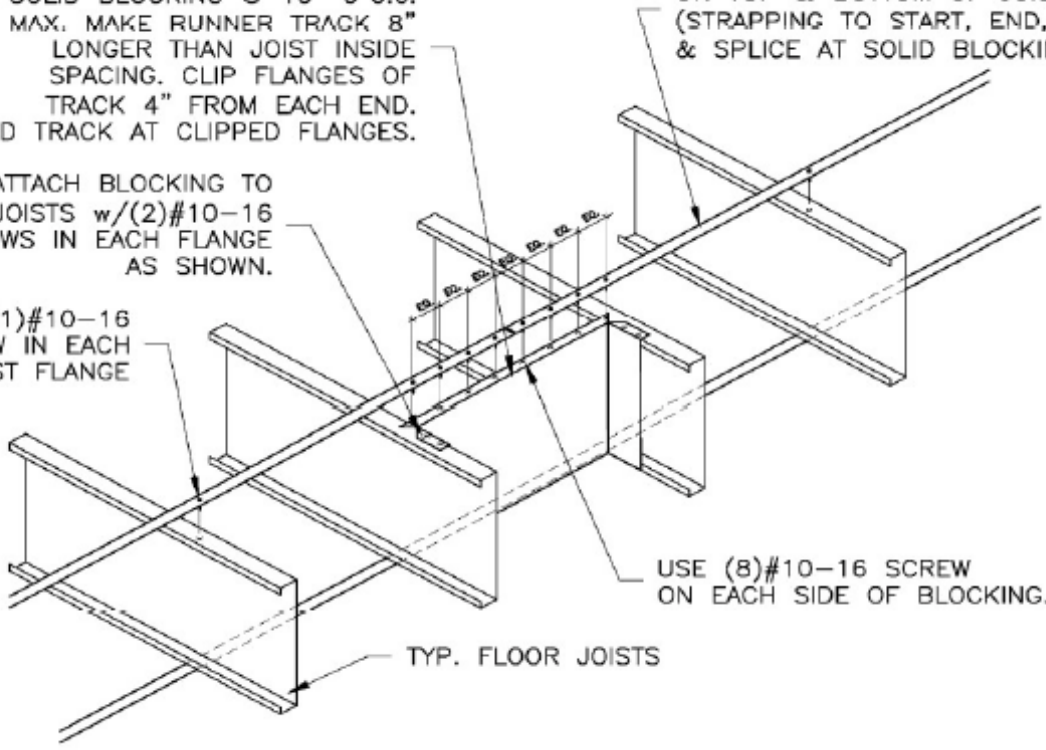
MIN. 18 GA RUNNER TRACK
 SOLID BLOCKING @ 10'-0" o.c.
 MAX. MAKE RUNNER TRACK 8" LONGER THAN JOIST INSIDE SPACING. CLIP FLANGES OF TRACK 4" FROM EACH END. BEND TRACK AT CLIPPED FLANGES.

1-1/2" x 20 GA. STRAPPING ON TOP & BOTTOM OF JOISTS. (STRAPPING TO START, END, & SPLICE AT SOLID BLOCKING)

ATTACH BLOCKING TO JOISTS w/(2)#10-16 SCREWS IN EACH FLANGE AS SHOWN.

(1)#10-16 SCREW IN EACH JOIST FLANGE

USE (8)#10-16 SCREW ON EACH SIDE OF BLOCKING.



BRIDGING RECOMMENDATIONS	
SPANS	ROWS REQUIRED
UP TO 14'	ONE ROW @ MID-SPAN
14' TO 20'	TWO ROWS @ THIRD POINTS
20' TO 26'	THREE ROWS @ QUARTER POINTS

JOIST BRIDGING

1-1/2" x 20GA. STRAP WITH RUNNER TRACK BLOCKING

Complies with the 2021 International Building Code and AISI S100-16/S2-20

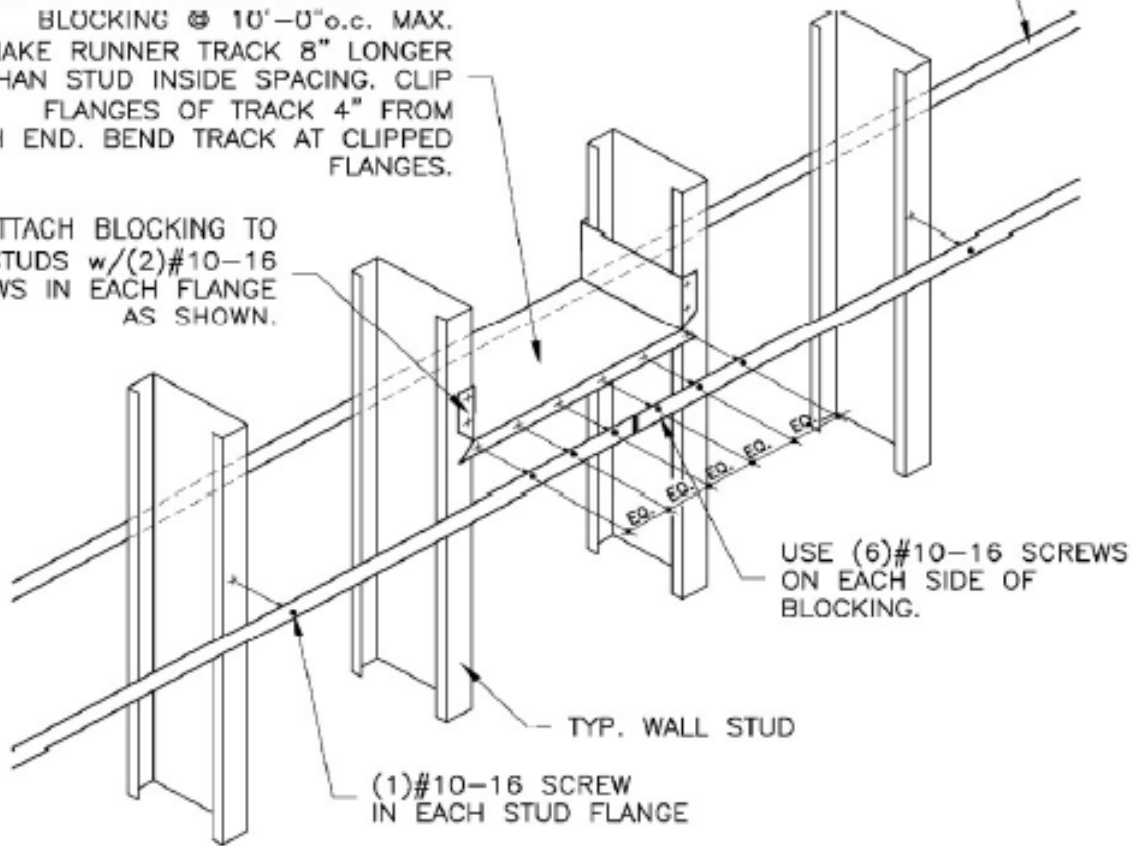
TYPICAL DETAILS

BLOCKING NOTE
PLACE SOLID BLOCKING AT ENDS OF WALL SYSTEM, ADJACENT TO ALL OPENINGS, AND AT 10'-0" O.C. MAX

1-1/2" x 20 GA. STRAPPING ON EACH SIDE OF WALL STUDS. (STRAPPING TO START, END, & SPLICE AT SOLID BLOCKING)

MIN. 18 GA RUNNER TRACK SOLID BLOCKING @ 10'-0" o.c. MAX. MAKE RUNNER TRACK 8" LONGER THAN STUD INSIDE SPACING. CLIP FLANGES OF TRACK 4" FROM EACH END. BEND TRACK AT CLIPPED FLANGES.

ATTACH BLOCKING TO WALL STUDS w/(2)#10-16 SCREWS IN EACH FLANGE AS SHOWN.



STRAPPING LATERAL BRACING

1-1/2" x 20GA. STRAP WITH RUNNER TRACK BLOCKING

Complies with the 2021 International Building Code and AISI S100-16/S2-20

ADDITIONAL TECHNICAL RESOURCES

As the use of cold-formed steel has grown over the past 60 years, so has the number of resources available to engineers, architects, contractors, and suppliers. The Resource Center of the Steel Framing Industry Association website (www.CFSteel.org/resources) is intended to help the design and construction professional cut through the clutter to find needed resource and contains a number of downloadable publications and links to other technical resources.

Technical Guide for Cold-Formed Steel Framing.

A downloadable version of this publication is available here. The current edition of the SFIA Product Technical Guide does not include tables for Ceiling Span conditions that may only be occasionally needed by the designer. These are available in a separate document which can also be downloaded in this section of the Resource Center.

Code Compliance Research Report, CCRR-0224.

The SFIA Code Compliance Research Report (CCRR), issued by Architectural Testing Inc., provides the evidence, technical information, and professional evaluation that standard coldformed steel framing stud and track manufactured by SFIA members comply with the 2021 International Building Code, 2021 International Residential Code, 2020 Florida Building Code including High Velocity Hurricane Zone (HVHZ), and the 2022 California Building Code.

ICC-Evaluation Service Report, ICC-ES 4205.

Evaluation reports from ICC Evaluation Service® may be used by code officials to verify that building products manufactured by SFIA members comply with code requirements. The evaluation reports provide information about what code requirements or acceptance criteria were used to evaluate the product, how the product should be installed to meet the requirements, how to identify the product, and much more. ES Reports are divided into eleven major areas.

Guide Specifications

Section 05400 - Cold-Formed Metal Framing

For use in the preparation of a project specification section covering cold-formed steel exterior wall studs, floor joists, trusses, ceiling and roof joists, and rafters. Materials may be field installed or shop fabricated and field erected. Studs may be either axially-load bearing or non-axially load bearing.

Section 092216 - Nonstructural Metal Framing

For use in the preparation of a project specification section covering metal framing systems for interior non-load bearing walls, interior ceilings and exterior soffits.

LEED and Sustainability

LEED®ing with Cold-Formed Steel: Cold-formed steel products manufactured by Steel Framing Industry Association members help your project quality for up to 7 points under LEED® v4 for BD+C

Environmental Product Declaration (EPD) for Cold-Formed Steel Framing

EPDs are developed from a Life Cycle Assessment and can help designers earn credits under LEED v4. This EPD represents coldformed steel (CFS) studs and track made from hot-dip galvanized steel, produced and manufactured in U.S. and Canada. The steel in the studs and track is produced at a mix of steel mill types in the U.S. and Canada, which use both the BOF (basic oxygen furnace) and EAF (electric arc furnace) route for steelmaking.

Apparent Sound Insulation in Cold-Formed Steel Buildings

This report provides the Design Professional with information that maybe needed for enhanced sound control in buildings using ASTC rather than STC.

Typical Construction Details

They are intended to provide designers and contractors with guidance on design, detailing, and construction of buildings that utilize cold-formed steel framing members. These products should not be used in design or construction without an independent evaluation by a qualified engineer or architect to verify the suitability of a particular product for use in a specific application.

Directory of Fire and Acoustic Rated Assemblies.

This searchable directory provides the user with the ability to search a comprehensive range of fire and sound-rated coldformed steel floor, wall and roof assemblies as listed by the major recognized testing agencies.

Wall System Design Center.

An online resource that provides architects, owners, developers, and contractors with needed information about integrated wall and ceiling solutions, including how to assess the performance attributes of the various system components, and to help determine how these various components can impact the overall performance of the system.

Complies with the 2021 International Building Code and AISI S100-16/S2-20

FIRE RATED ASSEMBLIES

February 2023

Question: Can standard products manufactured by SFIA members be used in the Fire Rated assemblies published by the recognized testing agencies?

Answer: Except where the word “proprietary” appears in system or element descriptions, all systems contained within the major fire rated directories (published by the Gypsum Association, UL, Factory Mutual, etc.) are considered generic assemblies utilizing any product of any manufacturer provided that the products meet the appropriate standards.

The steel framing members included in the SFIA Product Technical Guide are considered “generic”, and have been reviewed for compliance with the governing standards, including AISI 2012, the International Building Code (2021), California Building Code (2022) and Florida Building Code (2020), including (HPVZ), and therefore may be used in any rated assemblies published by the GA, UL, FM, or other recognized testing agency. In addition, steel framing members produced by SFIA member companies participate in a code compliance certification program administered by an independent third-party.

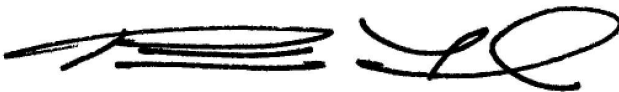
SFIA generic framing members that meet the minimum requirements for web depth, thickness, and other characteristics and therefore may be used in the generic published rated assemblies.

Underwriters Laboratories Rated Designs

The individual listings of UL rated designs identify the main elements of an assembly as numbers in a series (for U465: 1. Floor and Ceiling Runners, 2. Steel Studs, 3. Batts and Blankets, 4 Gypsum Board, 5. Joint Tape and Compound, 6. Resilient Channel, 8. Mineral and Fiber Board (optional), etc.). Unless a proprietary product is identified as being the component in the description, that element is generic and any standard product that meets this description is permitted for use in this design.

Alternative products may also be used in place of the standard or generic, and the permitted products identified in three ways, as a second level in the numerical series (i.e., 1A., 1B., 1C., etc.), with an asterisk (*), and with the wording “as an alternate to...” or “in lieu of...”. The products that have been approved for use in lieu of the standard products are then listed in the UL Design.

Submitted by:



Patrick Ford, P.E.
Technical Director

Complies with the 2021 International Building Code and AISI S100-16/S2-20



STEEL FRAMING INDUSTRY ASSOCIATION

CODE COMPLIANCE CERTIFICATION PROGRAM

SFIA developed, an industry supported Code Compliance Certification Program endorsed by the Association of the Wall and Ceiling Industry. The program is accessible to all manufacturers to certify that structural and nonstructural cold-formed steel framing they produce complies with the IBC 2021 code requirements.

Structural and nonstructural cold-formed steel framing certification is administered and audited by an independent third Administrator meeting IAS AC98 requirements and demonstrating compliance with ISO/IEC Standard 17020.

The validation process includes a minimum of two unannounced manufacturing audits per year of each facility operated by a manufacturer, as well as on-going random selection and independent testing of certified structural and nonstructural cold-formed steel framing products.



Manufacturing facilities that satisfy the requirements for certification are authorized to label structural and nonstructural cold-formed steel framing members they produce as "certified code compliant." The list of manufacturing facilities with certification authorization stays current by being updated as changes occur and can be found at http://www.archtest.com/certification/SFIA_SteelFraming_Intertek.aspx.

Complies with the 2021 International Building Code and AISI S100-16/S2-20

For product information, contact us.



www.millsteelframing.com
framinginfo@millsteel.com



Find us in

MasterSpec[®]

Powered by Deltek Specpoint[®]

