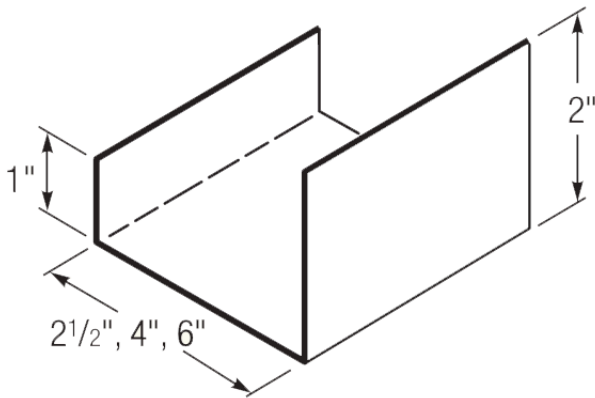


USG Shaftwall 212JR20G90

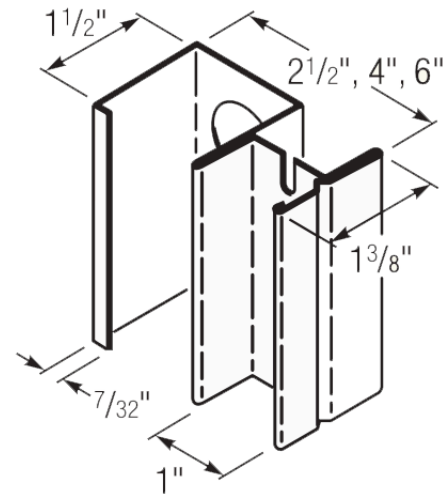
Product Description 2.5" J-RUNNER 20GA G90
Coating G90

Physical Properties

Design Thickness (in) 0.0359
Minimum Thickness (in) 0.0341
Yield Strength (ksi) 33



USG Steel J-Runner (JR)



USG Steel C-H Stud (CH)

Gross Section Properties

Cross Sectional Area (A)	0.2039
Weight of Member (lb/ft)	0.67
Section Modulus (S _x)	0.13
Moment of Inertia (I _x)	0.192

ASTM & Code Standards

- Studs and runners comply with ASTM C645
- Properties of steel framing members have been calculated in conformance with ANSI specification for the design of Cold-Formed steel structural members, 1996 edition

Mill Steel Framing LEED Green Credits

- MR Credit 2** • ConstructionWaste Management – Mill Steel Framing steel framing is 100% recyclable
- MR Credit 4** • Recycled Content – Mill Steel Framing products contain no less than 25.5% post-consumer and 6.8% pre-consumer recycled content
- MR Credit 5** • Regional Materials – Mill Steel Framing has manufacturing facilities in Indiana, Alabama & Texas
- V4 MR Credits** • Building Product Disclosure and Optimization EPD (1 point)
- Materials Ingredients (1 point) – Construction and Demolition Waste Management (1 point)

