

USG Shaftwall

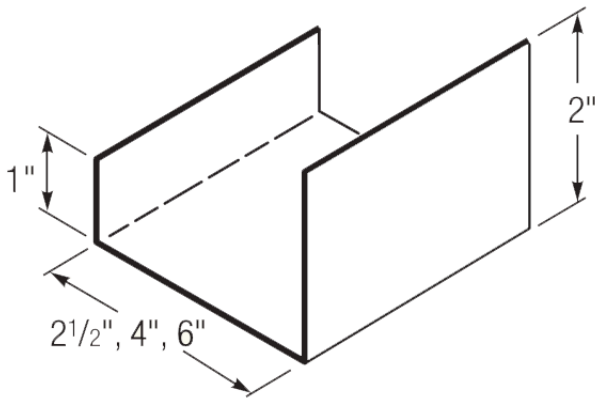
600CH20

Product Description
Coating

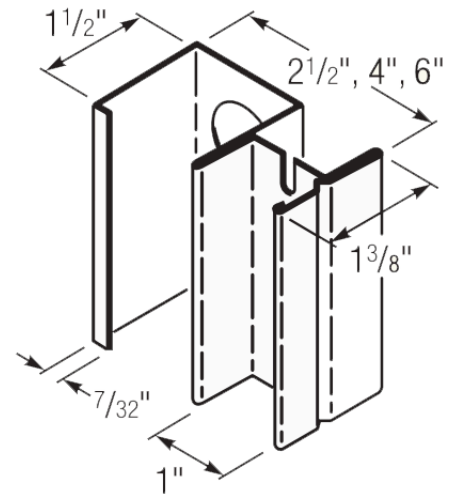
6" CH STUD 20GA
G40

Physical Properties

Design Thickness (in) 0.0359
Minimum Thickness (in) 0.0341
Yield Strength (ksi) 33



USG Steel J-Runner (JR)



USG Steel C-H Stud (CH)

Gross Section Properties

| | |
|-------------------------------------|--------|
| Cross Sectional Area (A) | 0.4227 |
| Weight of Member (lb/ft) | 1.366 |
| Section Modulus (S _x) | 0.569 |
| Moment of Inertia (I _x) | 1.998 |

ASTM & Code Standards

- Studs and runners comply with ASTM C645
- Properties of steel framing members have been calculated in conformance with ANSI specification for the design of Cold-Formed steel structural members, 1996 edition

Mill Steel Framing LEED Green Credits

- MR Credit 2** • ConstructionWaste Management – Mill Steel Framing steel framing is 100% recyclable
- MR Credit 4** • Recycled Content – Mill Steel Framing products contain no less than 25.5% post-consumer and 6.8% pre-consumer recycled content
- MR Credit 5** • Regional Materials – Mill Steel Framing has manufacturing facilities in Indiana, Alabama & Texas
- V4 MR Credits** • Building Product Disclosure and Optimization EPD (1 point)
- Materials Ingredients (1 point) – Construction and Demolition Waste Management (1 point)

