

## USG Shaftwall

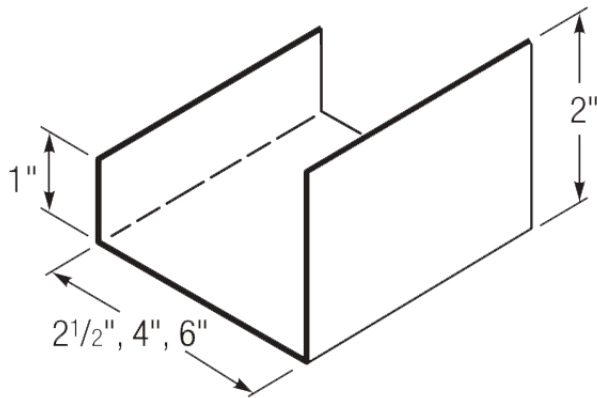
## 600JR20G90

**Product Description**  
Coating

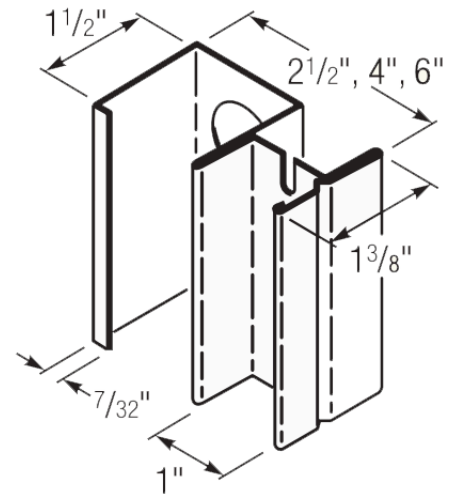
**6" J-RUNNER 20GA G90**  
G90

### Physical Properties

Design Thickness (in) 0.0359  
Minimum Thickness (in) 0.0341  
Yield Strength (ksi) 33



USG Steel J-Runner (JR)



USG Steel C-H Stud (CH)

### Gross Section Properties

Cross Sectional Area (A)	0.3295
Weight of Member (lb/ft)	1.107
Section Modulus (S <sub>x</sub> )	0.457
Moment of Inertia (I <sub>x</sub> )	1.523

### ASTM & Code Standards

- Studs and runners comply with ASTM C645
- Properties of steel framing members have been calculated in conformance with ANSI specification for the design of Cold-Formed steel structural members, 1996 edition

### Mill Steel Framing LEED Green Credits

- MR Credit 2** • ConstructionWaste Management – Mill Steel Framing steel framing is 100% recyclable
- MR Credit 4** • Recycled Content – Mill Steel Framing products contain no less than 25.5% post-consumer and 6.8% pre-consumer recycled content
- MR Credit 5** • Regional Materials – Mill Steel Framing has manufacturing facilities in Indiana, Alabama & Texas
- V4 MR Credits** • Building Product Disclosure and Optimization EPD (1 point)  
• Materials Ingredients (1 point) – Construction and Demolition Waste Management (1 point)

