

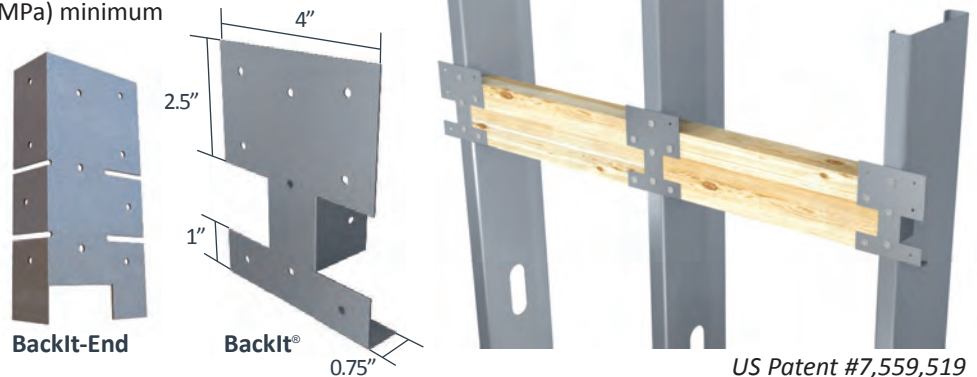
# BackIt®

Rigid Wall Backing

The Steel Network, Inc.   
 www.steelnetwork.com  
 1-888-474-4876

### Material Composition

ASTM A1003/A1003M Structural Grade 50 (340) Type H, ST50H (ST340H): 50ksi (340MPa) minimum yield strength, 65ksi (450MPa) minimum tensile strength, 43mil minimum thickness (18 gauge, 0.0451" design thickness) with ASTM A653/A653M G60 (Z180) hot dipped galvanized coating.



US Patent #7,559,519

### BackIt Allowable Loads

BackIt®, Recommended Allowable Load (lbs) (in-lbs or in-lbs/rad): F2 & F3 & M1								
Stud		F2 Load Direction (lbs)		F3 Load Direction (lbs)		M1 Load Direction		
Thickness Mils (ga)	Yield Strength (ksi)	w/2 #12 screws	w/3 #12 screws	w/2 #12 screws	w/3 #12 screws	Moment w/3 #12 screws	Stiffness up to 0.02 rad	
18 (25)	33	-	156*	-	225	221	16,800	
27 (22)	33	-	234	278	417	332		
30 (20dw)	33	-	258	322	483	366		
33 (20)	33	-	285	376	564	404		
33 (20)	50	276	391	544	816	587		
43 (18)	33	248	372	560	840	527		
43 (18)	50	358	391	810	1,215	761		
54 (16)	33	312	391	822	1,233	663		
54 (16)	50	391	391	1,140	1,388	956		
68 (14) & 97 (12)	50	391	391	1,136	1,388	967		
<b>Maximum Allowable Clip Load</b>		<b>391</b>		<b>1,388</b>		<b>967</b>		<b>16,800</b>

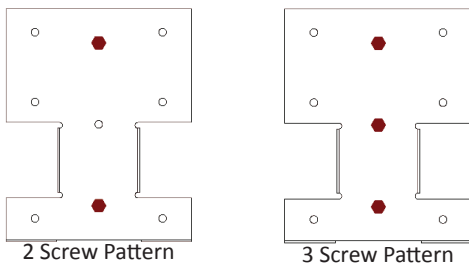
### Notes:

- The recommended allowable loads and moments reported in this table are for the clip and attachment to the stud only. The attachment to the backing material must be designed by a design professional.

\* Additional screws may be added to increase the allowable load. F2 value with (4) #12 screws is 207 lbs.

IBC (International Building Code) and OSHA (Occupational Safety and Health Administration) load requirements include the ability of wall backing to resist a minimum of 200 lbs of concentrated load, or 50 lbs per linear foot in any direction. BackIt satisfies the load requirements in vertical (F3) and horizontal (F2) directions. Extra testing has been done in the rotational (M1) direction. Product test reports are available upon request. Contact TSN Technical Support at (888) 474-4876 for more information.

### Screw Patterns



### Nomenclature

BackIt is designed to be used with studs having flanges up to 1 5/8" wide\*, and is designated BackIt®.

\* Custom clips are available by request for use with studs having flanges greater than 1 5/8"

\*\*Also Available by Request: End-of-Run BackIt® to finish walls with a flat angle

### Load Direction

