

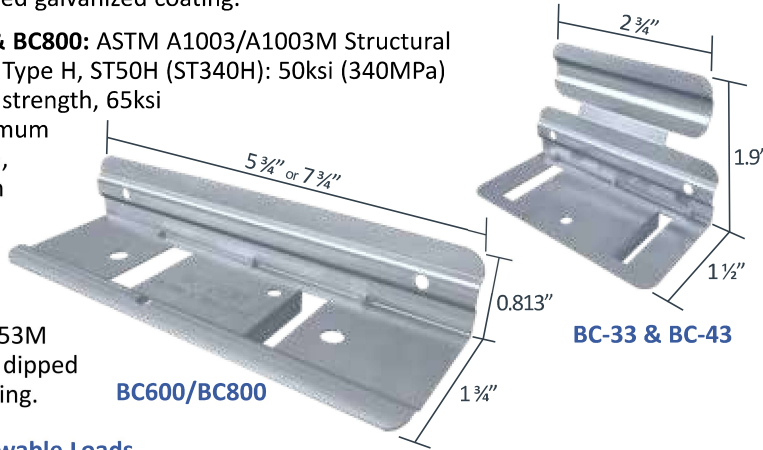
BridgeClip®

Secures Channel to Stud

Material Composition

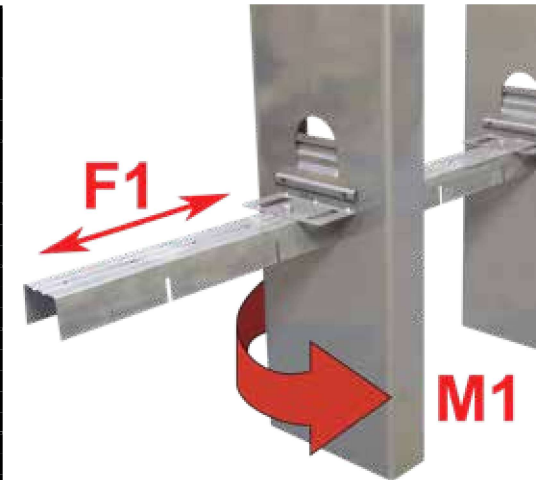
BC-33: ASTM A1003/A1003M Structural Grade 50 (340) Type H, ST50H (ST340H): 50ksi (340MPa) minimum yield strength, 65ksi (450MPa) minimum tensile strength, 33mil minimum thickness (20 gauge, 0.0346" design thickness) with ASTM A653/A653M G90 (Z275) hot dipped galvanized coating.

BC-43, BC600 & BC800: ASTM A1003/A1003M Structural Grade 50 (340) Type H, ST50H (ST340H): 50ksi (340MPa) minimum yield strength, 65ksi (450MPa) minimum tensile strength, 43mil minimum thickness (18 gauge, 0.0451" design thickness) with ASTM A653/A653M G90 (Z275) hot dipped galvanized coating.



Load Direction

US Patent #5,904,023



BridgeClip Allowable Loads

BridgeClip	Stud Depth	Stud Thickness (mils) (ga)	Axially Loaded Stud, Allowable Brace Strength F1 (lbs)	Laterally Loaded Stud, Allowable Torsional Moment M1 (in.lbs)
BC-33, 1	3.625/4	33 (20)	75	132
		43 (18)		143
		54 (16)		156
BC-43, 1	3.625/4	33 (20)	112	168
		43 (18)		179
		54 (16)		192
BC-33, 3	3.625/4	33 (20)	360	192
		43 (18)		221
		54 (16)		252
BC-43, 3	3.625/4	33 (20)	433	240
		43 (18)		297
		54 (16)		360
BC-33, 1	6	33 (20)	75	192
		43 (18)		252
		54 (16)		264
		68 (14)		307
BC-43, 1	6	33 (20)	112	396
		43 (18)		240
		54 (16)		372
		68 (14)		324
BC-33, 3	6	33 (20)	360	468
		43 (18)		228
		54 (16)		254
		68 (14)		288
BC-43, 3	6	33 (20)	433	324
		43 (18)		408
		54 (16)		324
		68 (14)		384
BC600	6	33 (20)	170	372
		43 (18)		684
		54 (16)		792
		68 (14)		864
BC-33, 1	8	33 (20)	75	887
		43 (18)		936
		54 (16)		144
		68 (14)		178
BC-43, 1	8	33 (20)	112	216
		43 (18)		192
		54 (16)		232
		68 (14)		276
BC-33, 3	8	33 (20)	360	240
		43 (18)		280
		54 (16)		324
		68 (14)		240
BC-43, 3	8	33 (20)	433	288
		43 (18)		339
		54 (16)		396
		68 (14)		240
BC800	8	33 (20)	170	756
		43 (18)		790
		54 (16)		828
		68 (14)		851
		97 (12)	360	900

Table Notes:

- Listed ASD allowable loads are based on ultimate test data divided by a factor of safety.
- Listed ASD allowable loads are limited by screw shear or pullout at stud web.

Table Nomenclature	Clip	Qty # 10 Screws into Bridging	Qty # 10 Screws into Stud
BC-33, 1	BC-33	1	0
BC-33, 3	BC-33	1	2
BC-43, 1	BC-43	1	0
BC-43, 3	BC-43	1	2
BC600	BC600	2	2
BC800	BC800	2	2

Nomenclature

BridgeClip is designated by the type BC.