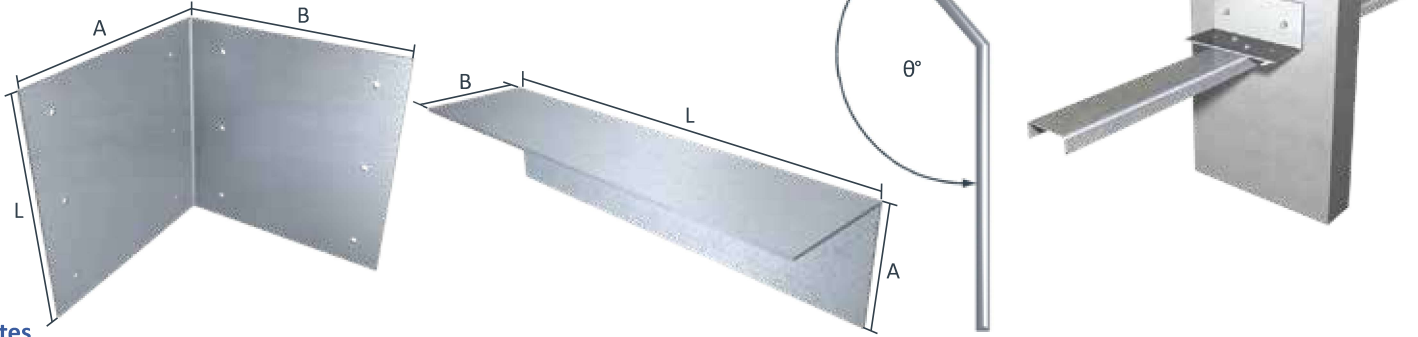


Common Clip Angle

Common Angle For All Applications

Material Composition

ASTM A1003/A1003M Structural Grade 50 (345) 50ksi (345MPa) minimum yield strength, 65ksi (450MPa) minimum tensile strength, with ASTM A653/A653M G90 (Z275) hot dipped galvanized coating. Available in 33mil minimum thickness (20 gauge, 0.0346" design thickness), 43mil minimum thickness (18 gauge, 0.0451" design thickness), 54mil minimum thickness (16 gauge, 0.0566" design thickness), 68mil minimum thickness (14 gauge, 0.0713" design thickness), 97mil minimum thickness (12 gauge, 0.1017" design thickness) or 118 mil minimum thickness (10 gauge, 0.1242" design thickness).



Notes

- The Steel Network is equipped to manufacture cold-formed steel connections of any size and shape. Some examples of common clip angle manufactured and stocked are shown below.
- Most common stocked angles come pre-punched for easier installation, although holes are not required.
- Contact TSN Sales for range of custom clip bend angles and for assistance designing custom products for special applications or requirements. Please allow reasonable time for production of all custom parts.
- Any thickness up to & including 10ga (118mil)
- Structural testing is available upon request.

Nomenclature

Clip angle can be manufactured to any specifications, however TSN stocks some more common sizes. Angle is classified with the letter "L" followed by (Leg A) x (Leg B) x length (inches), then mil thickness.

Example: Leg A = 3", Leg B = 3", Length = 5 1/2", 54 mil material
Designate: L3x3x5.5-54

* Special product drawings are required for all non-standard products.

Example Standard Common Clip Angle Details

