



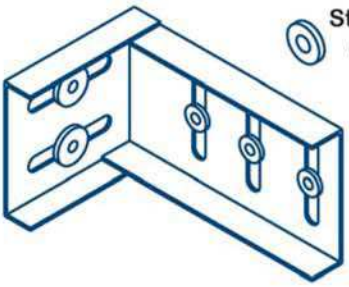
DriftClip® DSLB Installation Instructions

Vertical Deflection & Drift @ Deck Edge



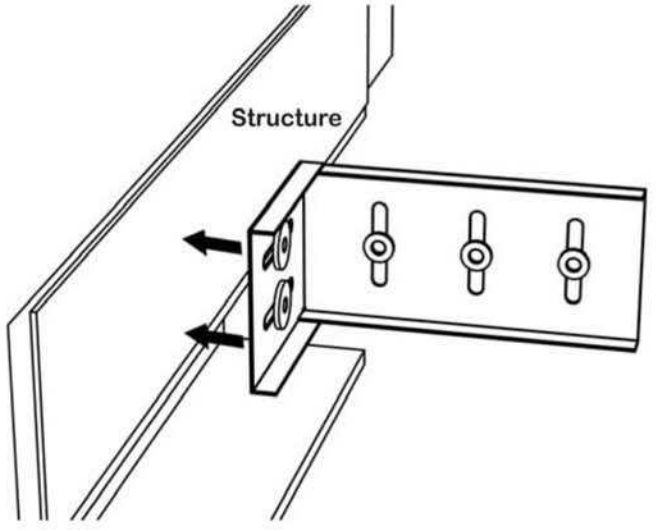

Large Step Bushing
 (Engineered for PAF
 or 1/4"-20 Screw
 to structure)


Standard Step Bushing
 (Engineered for #12
 screw to stud)



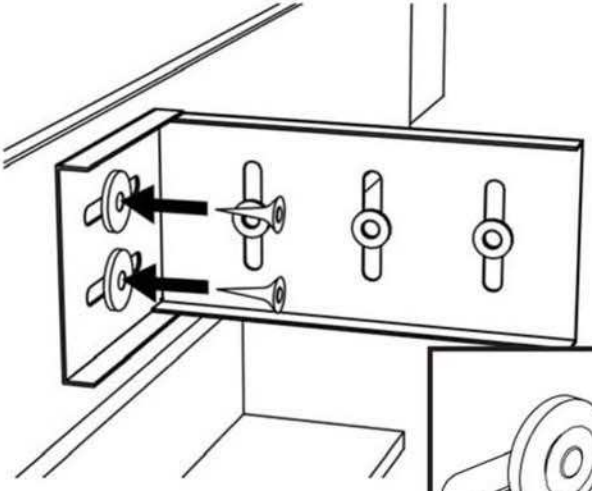
DriftClip® DSLB

Step Bushings are pre-installed. Do not remove unless otherwise indicated.

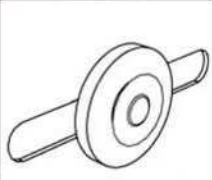
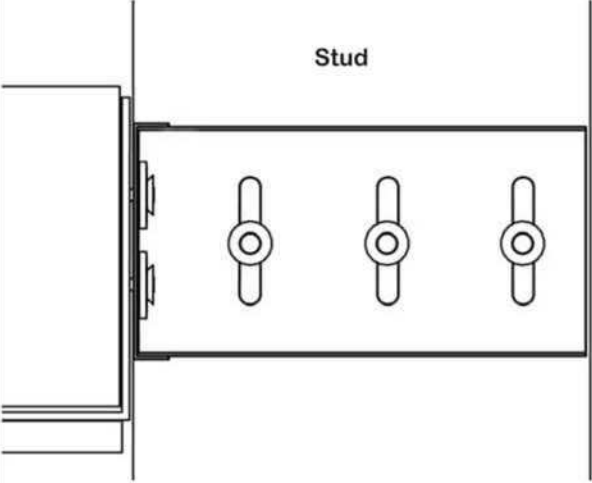


Structure

Attachment to Structure per Design Specifications

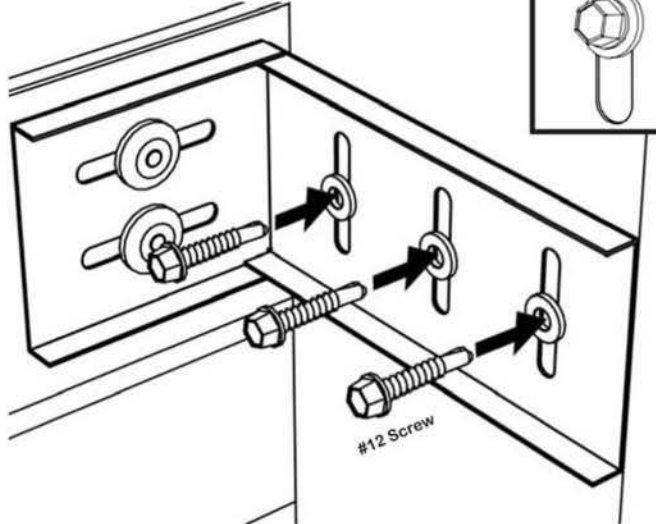


Fasteners should be installed through each step bushing.

Stud

Install screws using a screw gun that does not exceed 2,500 rpm.



#12 Screw

Fasteners should be installed through each step bushing. Screw gun must be equipped with torque limiting clutch to avoid fastener overdrive.

For Installation, Technical, or Submittal questions, contact TSN at (888) 474-4876.

Email us at tsn@steelnetwork.com.

Visit www.steelnetwork.com and discover the value of each TSN Solution.

Rev 2