

DriftTrak® DT w/DTSL

Exterior Head of Wall

The Steel Network, Inc.

www.steelnetwork.com

1-888-474-4876



Material Composition

DTSL Clip Material: ASTM A1003/A1003M Structural Grade 50 (340) Type H, ST50H (ST340H): 50ksi (340MPa) minimum yield strength, 65ksi (450MPa) minimum tensile strength, 68mil minimum thickness (14 gauge, 0.0713" design thickness) with ASTM A653/A653M G90 (Z275) hot dipped galvanized coating.

Track Material: ASTM A1003/A1003M Structural Grade 50 (340) Type H, ST50H (ST340H): 50ksi (340MPa) minimum yield strength, 65ksi (450MPa) minimum tensile strength, 97mil minimum thickness (12 gauge, 0.1017" design thickness) with ASTM A653/A653M G60 (Z180) hot dipped galvanized coating.



US Patent #7,503,150

DriftTrak DT w/ DTSL Allowable (Unfactored) Loads

DriftTrak® DT w/ DTSL, Recommended Allowable Load (lbs): F2

Stud		8" Fastener Spacing in Track to Structure (or welded on both sides)		16" Fastener Spacing in Track to Structure (or welded on both sides)	
		Fastener Pattern 1	Fastener Pattern 2	Fastener Pattern 1	Fastener Pattern 2
Thickness Mils (ga)	Yield Strength (ksi)	w/2 #12 Screws	w/2 #12 Screws	w/2 #12 Screws	w/2 #12 Screws
33 (20)	33	376	376	376	449
33 (20)	50	544	482	544	449
43 (18)	33	560	482	560	449
43 (18)	50	625	482	625	449
54 (16)	33	625	482	625	449
54 (16)	50	625	482	625	449
68 (14)	50	625	482	625	449
97 (12)	50	625	482	625	449
Maximum Allowable Clip Load		625	482	625	449

Notes:

- Design loads are for attachment of DriftTrak DT w/ DTSL to stud only.
- Allowable loads have not been increased for wind, seismic, or other factors.
- Clips are manufactured to fit into DriftTrak DT. DriftTrak DT w/ DTSL allows up to 2" of vertical deflection (1" up and 1" down), and free lateral movement of the structure.
- #12 screws are provided for each step bushing attachment to studs.
- Attachment of structure to be engineered by others.
- One row of bridging is recommended at a maximum distance of 18" from DriftTrak DT w/ DTSL to resist torsional effects.
- DriftTrak DT w/ DTSL does not provide wall closure. A top track will be required for closure of the wall assembly.
- Allow a minimum of 7/8" from the structure to the top of the stud to allow for the attachment of the DriftTrak DT inside the standard track.
- For LRFD strengths contact TSN technical services.

Nomenclature

DriftTrak® DT w/ DTSL is available in one size for all stud depths over 3 5/8".

Example: 6" stud depth

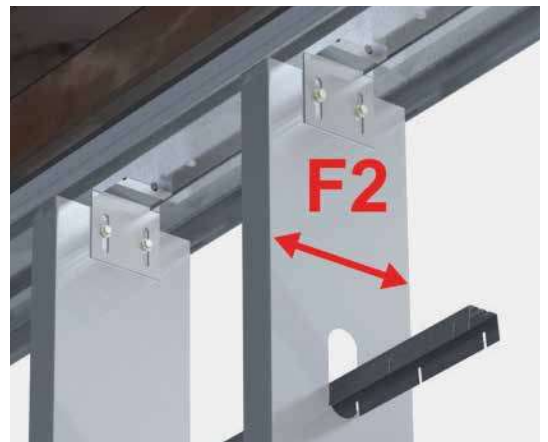
Designate: DriftTrak® DT w/ DTSL

DriftTrak DT is available in 10' and 12' lengths, and is designated: DriftTrak® DT-10' or DT-12'

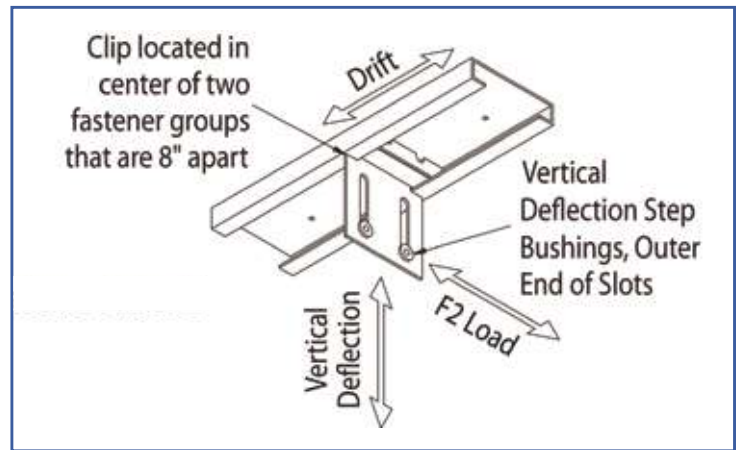
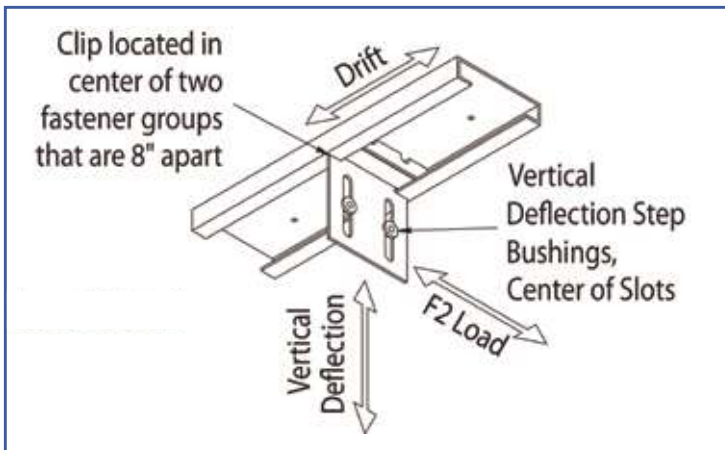
** A top track is required for closure of the wall assembly.

*** Clips and track sold separately.

Load Direction



Fastener Patterns

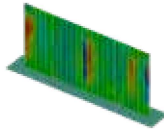


Fastener Pattern 1 replicates a condition of out-of-plane wind or seismic force with no vertical live load deflection and full in-plane drift.

Fastener Pattern 2 replicates a condition of out-of-plane wind or seismic force with full vertical live load deflection and full in-plane drift.



DriftTrak DT w/DTSL
ICC-ESR-2049
www.icc-es.org



DriftTrak DT w/ DTSL Series
Blast and Seismic Design Data
www.steelnetwork.com

**** For more information or to review a copy of each of these reports, please visit our website at <http://www.steelnetwork.com/light-steel-framing-design-resources>**