

# GripClip®

Column/Beam Connector

## Material Composition

ASTM A1003/A1003M Structural Grade 50, Type H, ST50H (ST340H): 50ksi (340MPa) minimum yield strength, 65ksi (450MPa) minimum tensile strength, 33mil minimum thickness (20 gauge, 0.0346" design thickness) with ASTM A653/A653M G90 (Z275) hot dipped galvanized coating.

## Column Fire Resistance Design Numbers:

(1) Hour Rating is GC001.

(1-1/2) Hour Rating is GC001.5.

See Design Number downloads on TSN GripClip product page.

Contact TSN Sales and Engineering for performance evaluation reports.

## Nomenclature

GripClip-087 (standard) has a 'grip' range (flange sizes) of 1/4" up to 7/8".

GripClip-137 has a 'grip' range (flange sizes) greater than 7/8" up to 1-3/8".

Contact TSN Sales and Engineering for increased 'grip' ranges.

## Installation Instructions

**Drywall GripClip® Installation Instructions**  
For the Attachment of Gypsum Wallboard to Steel Columns

<p><b>GripClip®</b></p> <p>Slide GripClip® onto the flanges of the column at the specified spacing.</p> <p>Face the box shaped portion of GripClip® to the outside of the flanges.</p>	<p>Snap 1-1/2"x1-1/2"-33mil continuous angles into GripClip® tabs.</p>	<p>Trim specified thickness of gypsum wallboard to size for flange sides of column section.</p> <p>Attach with self drilling screws through 1-1/2"x1-1/2" angles and GripClip® at the specified spacing.</p>	<p>Trim specified thickness of gypsum wallboard to size for web sides of column section.</p> <p>Attach with self drilling screws through 1-1/2"x1-1/2" angles and GripClip® at the specified spacing.</p>
<p>Trim specified thickness of gypsum wallboard to size for web sides of column section.</p> <p>Attach with self drilling screws through 1-1/2"x1-1/2" angles and GripClip® at the specified spacing.</p>	<p>Finish with the specified thickness and number of layers of gypsum wallboard.</p>	<p><b>Cross-Section of Finished Assembly:</b></p> <ol style="list-style-type: none"> <li>1. GripClip®</li> <li>2. Column section</li> <li>3. Gypsum wallboard (Thickness and number of layers as specified)</li> <li>4. Self-drilling screws</li> <li>5. 1-1/2"x1-1/2"-33mil Angle</li> </ol> <p>For Installation, Technical, or Submittal questions, contact TSN at (888) 474-4876 or email us at support@steelnetwork.com</p> <p>Visit <a href="http://www.steelnetwork.com">www.steelnetwork.com</a> and discover the value of each TSN solution.</p>	

© 2025 The Steel Network, Inc. All Rights Reserved US Patent #8,132,383 Rev 3 - 2-10-25

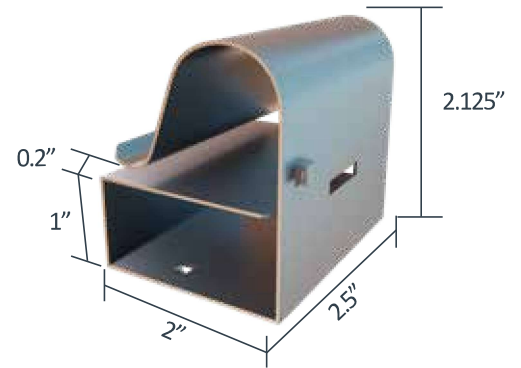
Products in these instructions are designed and manufactured for the specific purposes shown, and should not be used in other applications unless approved by a qualified design professional. All modifications to products or changes in installation procedures should be made by a qualified design professional. The performance of such modified products or altered installation procedures is the sole responsibility of the design professional or installation contractor. The installation contractor is responsible for installing all products in accordance with relevant specifications and building codes.

**Drywall GripClip® Installation Instructions**  
For the Attachment of Gypsum Wallboard to Steel Columns

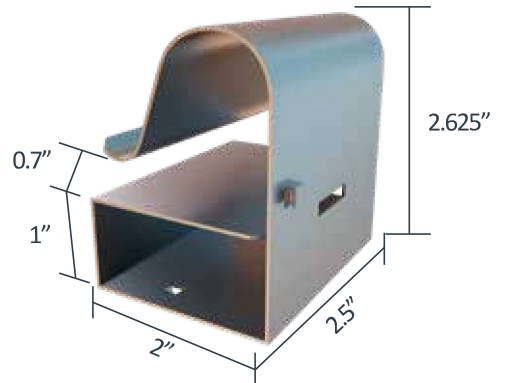
<p><b>GripClip®</b></p> <p>Slide GripClip® onto the flanges of the column at the specified spacing.</p> <p>Face the box shaped portion of GripClip® to the outside of the flanges.</p>	<p>Snap 1-1/2"x1-1/2"-33mil continuous angles into GripClip® tabs.</p>	<p>Trim specified thickness of gypsum wallboard to size for flange sides of column section.</p> <p>Attach with self drilling screws through 1-1/2"x1-1/2" angles and GripClip® at the specified spacing.</p>	<p>Trim specified thickness of gypsum wallboard to size for web sides of column section.</p> <p>Attach with self drilling screws through 1-1/2"x1-1/2" angles and GripClip® at the specified spacing.</p>
<p>Trim specified thickness of gypsum wallboard to size for web sides of column section.</p> <p>Attach with self drilling screws through 1-1/2"x1-1/2" angles and GripClip® at the specified spacing.</p>	<p>Finish with the specified thickness and number of layers of gypsum wallboard.</p>	<p><b>Cross-Section of Finished Assembly:</b></p> <ol style="list-style-type: none"> <li>1. GripClip®</li> <li>2. Column section</li> <li>3. Gypsum wallboard (Thickness and number of layers as specified)</li> <li>4. Self-drilling screws</li> <li>5. 1-1/2"x1-1/2"-33mil Angle</li> </ol> <p>For Installation, Technical, or Submittal questions, contact TSN at (888) 474-4876 or email us at support@steelnetwork.com</p> <p>Visit <a href="http://www.steelnetwork.com">www.steelnetwork.com</a> and discover the value of each TSN solution.</p>	

© 2025 The Steel Network, Inc. All Rights Reserved US Patent #8,132,383 Rev 3 - 2-10-25

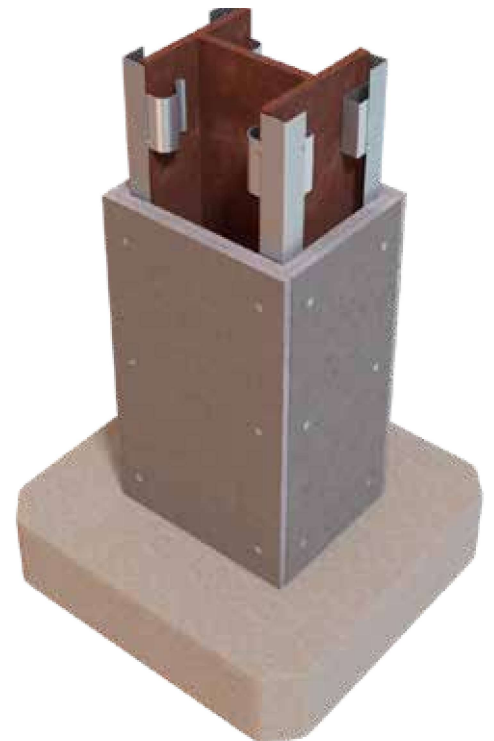
Products in these instructions are designed and manufactured for the specific purposes shown, and should not be used in other applications unless approved by a qualified design professional. All modifications to products or changes in installation procedures should be made by a qualified design professional. The performance of such modified products or altered installation procedures is the sole responsibility of the design professional or installation contractor. The installation contractor is responsible for installing all products in accordance with relevant specifications and building codes.



**GripClip-087**



**GripClip-137**



Patent # 8,132,383