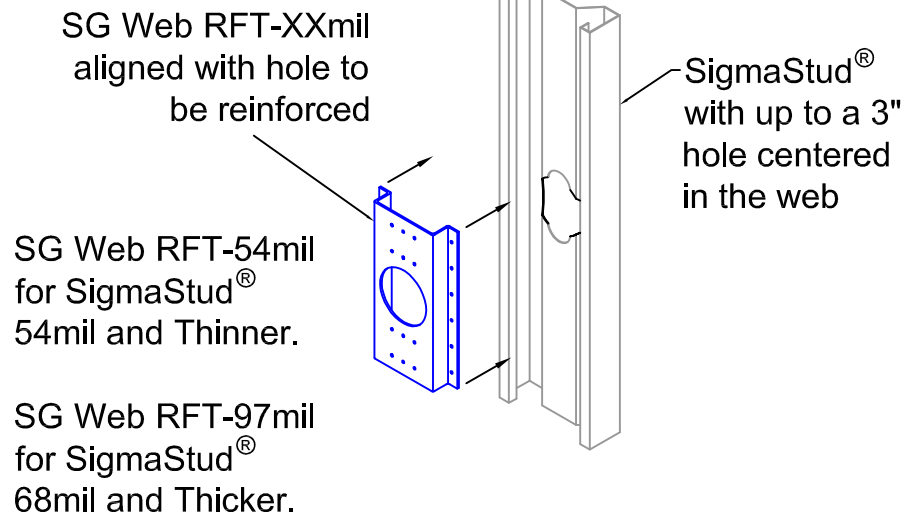


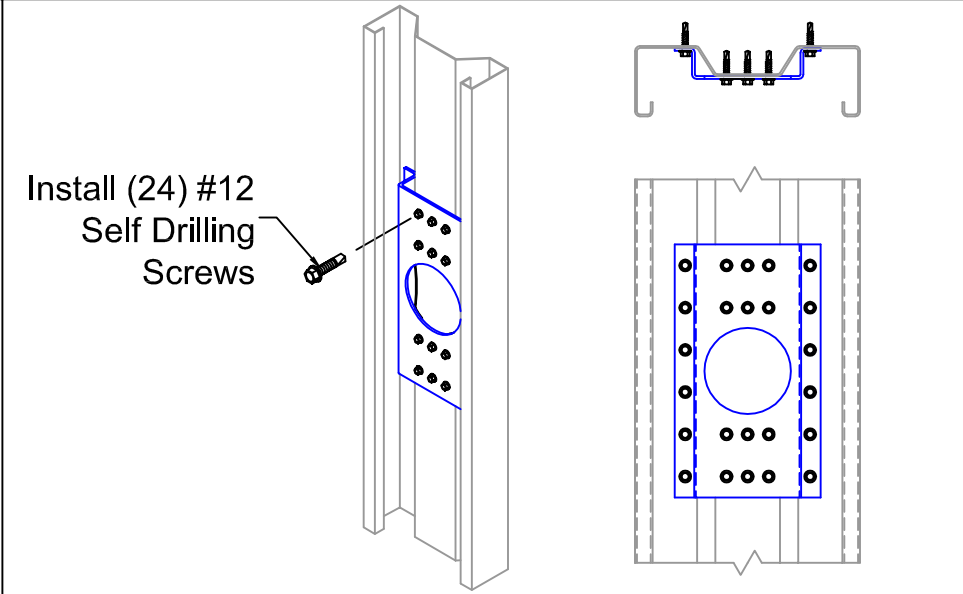
SigmaStud® Web Reinforcement: SG Web RFT Installation Instructions



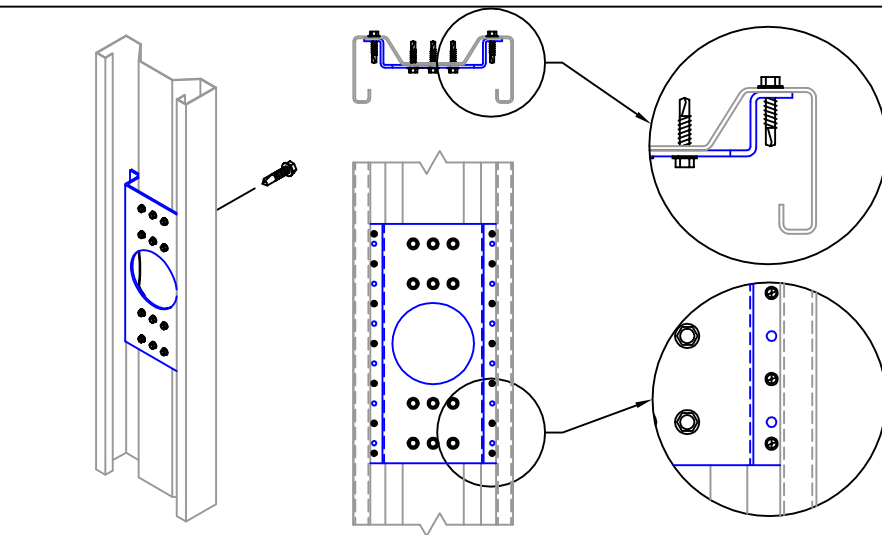
1. Align SG Web RFT With SigmaStud®



2. Install (24) #12 Self Drilling Screws Through Guideholes.



* When Access to Guideholes is Limited, Install Screws Between Guideholes From Opposite Side.



For Installation, Technical, or Submittal questions, contact TSN at (888) 474-4876.

Email us at tsn@steelnetwork.com.

Visit www.steelnetwork.com and discover the value of each TSN Solution.