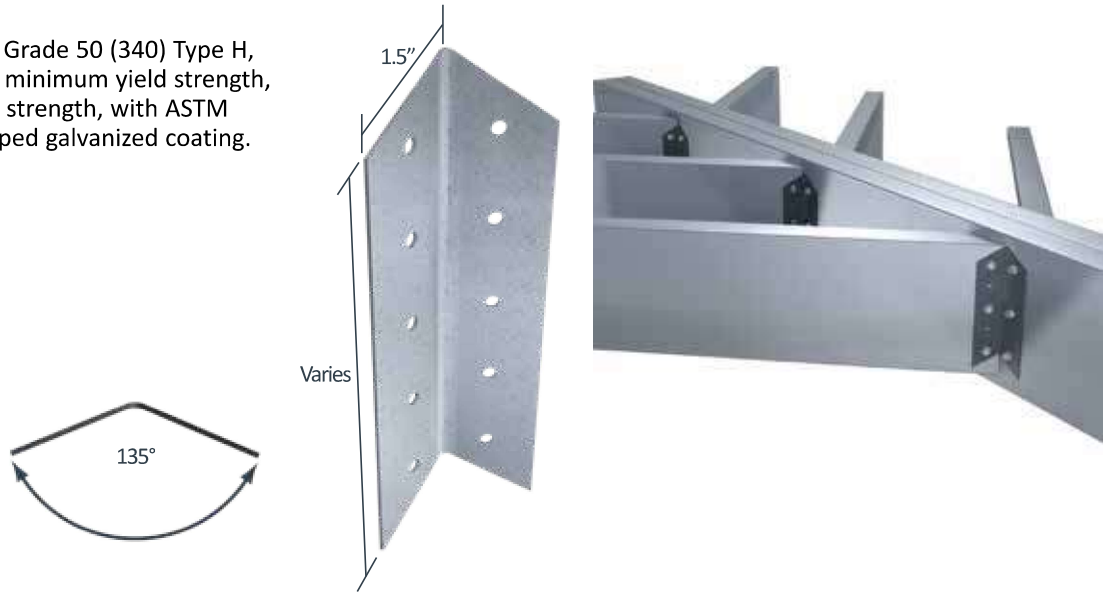


StiffClip® HC

Hip Connector

Material Composition

ASTM A1003/A1003M Structural Grade 50 (340) Type H, ST50H (ST340H): 50ksi (340MPa) minimum yield strength, 65ksi (450MPa) minimum tensile strength, with ASTM A653/A653M G90 (Z275) hot dipped galvanized coating.



StiffClip HC Allowable Loads

| StiffClip® HC Recommended Allowable Load for a Single Clip (lbs): F3 Load Direction | | | | | | | | |
|---|--------------|--------------|--------------|--------------|--------------|--------------|--------------|----------|
| Screw Patterns with #12 Screws | HC362/400-43 | HC362/400-68 | HC600-43 | HC600-68 | HC800-43 | HC800-68 | HC1000-68 | |
| | 2 Screws | 2 Screws | 4 Screws | 4 Screws | 5 Screws | 5 Screws | 4 Screws | 6 Screws |
| 33mil (20ga), 33ksi Stud | 337 | 336 | 720 | 720 | 909 | 909 | N / A | N / A |
| 33mil (20ga), 50ksi Stud | 487 | 487 | 1,042 | 1,042 | 1,315 | 1,315 | N / A | N / A |
| 43mil (18ga), 33ksi Stud | 501 | 501 | 1,073 | 1,073 | 1,353 | 1,353 | 1,100 | 1,643 |
| 43mil (18ga), 50ksi Stud | 725 | 724 | 1,552 | 1,552 | 1,958 | 1,958 | 1,591 | 2,376 |
| 54mil (16ga), 33ksi Stud | 736 | 705 | 1,575 | 1,510 | 1,987 | 1,904 | 1,548 | 2,312 |
| 54mil (16ga), 50ksi Stud | 864 | 1,018 | 2,158 | 2,180 | 2,714 | 2,750 | 2,235 | 3,338 |
| 68mil (14ga), 50ksi Stud | 864 | 1,283 | 2,158 | 2,747 | 2,714 | 3,466 | 2,816 | 4,207 |
| 97mil (12ga), 50ksi Stud | 864 | 1,283 | 2,158 | 2,747 | 2,714 | 3,466 | 2,816 | 4,207 |
| Max Allowable Clip Load | 864 | 1,392 | 2,158 | 3,639 | 2,714 | 5,062 | 5,062 | |

| Screw Patterns with #12 Screws | HC1200-68 | | HC1400-68 | | HC1600-68 | |
|--------------------------------|--------------|----------|--------------|----------|--------------|-----------|
| | 6 Screws | 8 Screws | 5 Screws | 9 Screws | 6 Screws | 10 Screws |
| 54mil (16ga), 33ksi Stud | 2,341 | 3,109 | 1,955 | 3,507 | 2,345 | 3,904 |
| 54mil (16ga), 50ksi Stud | 3,381 | 4,490 | 2,823 | 4,560 | 3,387 | 4,560 |
| 68mil (14ga), 50ksi Stud | 4,260 | 4,560 | 3,557 | 4,560 | 4,560 | 4,560 |
| 97mil (12ga), 50ksi Stud | 4,260 | 4,560 | 3,557 | 4,560 | 4,560 | 4,560 |
| Max Allowable Clip Load | 4,560 | | 4,560 | | 4,560 | |

Notes:

1. Design loads are for attachment of StiffClip HC to cold formed framing only. Load tables reflect vertical loads (F3).
2. Design loads consider loads on the clip and #12 screw fasteners in each leg.
3. Torsional effects are considered on screw group for F3 allowable loads. It is assumed that half of the torsional moment is taken by screw group in each leg of clip .
4. Allowable loads have not been increased for wind, seismic, or other factors.
5. For LRFD strengths contact TSN technical services.

Nomenclature

StiffClip HC is designated by multiplying rafter depth by 100, then listing material thickness.

Example: 6" rafter depth, 68mil steel thickness

Designate: StiffClip® HC600-68

**Standard angle bend is 135°. Other bend angles are available.

Load Direction

